



US00D431438S

# United States Patent [19]

[11] Patent Number: **Des. 431,438**

Flender et al.

[45] Date of Patent: **\*\* Oct. 3, 2000**

[54] **PLATE JOINER**

[75] Inventors: **Gregg Flender**, Bedford, Mass.; **Sean W. Flickinger**, Felton, Pa.; **George H. F. Schnakenberg, III**, Cambridge, Mass.; **Donald W. Zurwelle**, Lutherville, Md.

[73] Assignee: **Black & Decker Inc.**, Newark, Del.

[\*\*] Term: **14 Years**

[21] Appl. No.: **29/113,125**

[22] Filed: **Oct. 29, 1999**

[51] **LOC (7) Cl.** ..... **08-03**

[52] **U.S. Cl.** ..... **D8/64; D8/67; D8/69**

[58] **Field of Search** ..... **D8/61, 62, 64, D8/65, 66, 67, 68, 69, 70, 107, DIG. 7; 83/875; 30/374, 375, 376, 377, 520; 144/136.9, 136.1, 136.95, 154.5; 409/178, 182**

4,858,661	8/1989	Bosten et al. .	
4,858,662	8/1989	Bosten et al. .	
4,858,663	8/1989	Bosten et al. .	
4,913,204	4/1990	Moore et al. .	
5,140,249	8/1992	Linder et al. .	
5,273,091	12/1993	Shibata .....	144/136.95
5,291,928	3/1994	Keith, Jr. et al. .	
5,381,595	1/1995	Keith, Jr. et al. ....	144/136.95
5,902,080	5/1999	Kopras .....	409/182

### FOREIGN PATENT DOCUMENTS

DM015403	12/1989	Germany .
DM018539	1/1991	Germany .
M9803103	11/1998	Germany .

*Primary Examiner*—Martie K. Holtje  
*Attorney, Agent, or Firm*—Dennis A. Dearing; John D. Del Pont; Bruce S. Shapiro

### [57] CLAIM

The ornamental design for a plate joiner, as shown and described.

### [56] References Cited

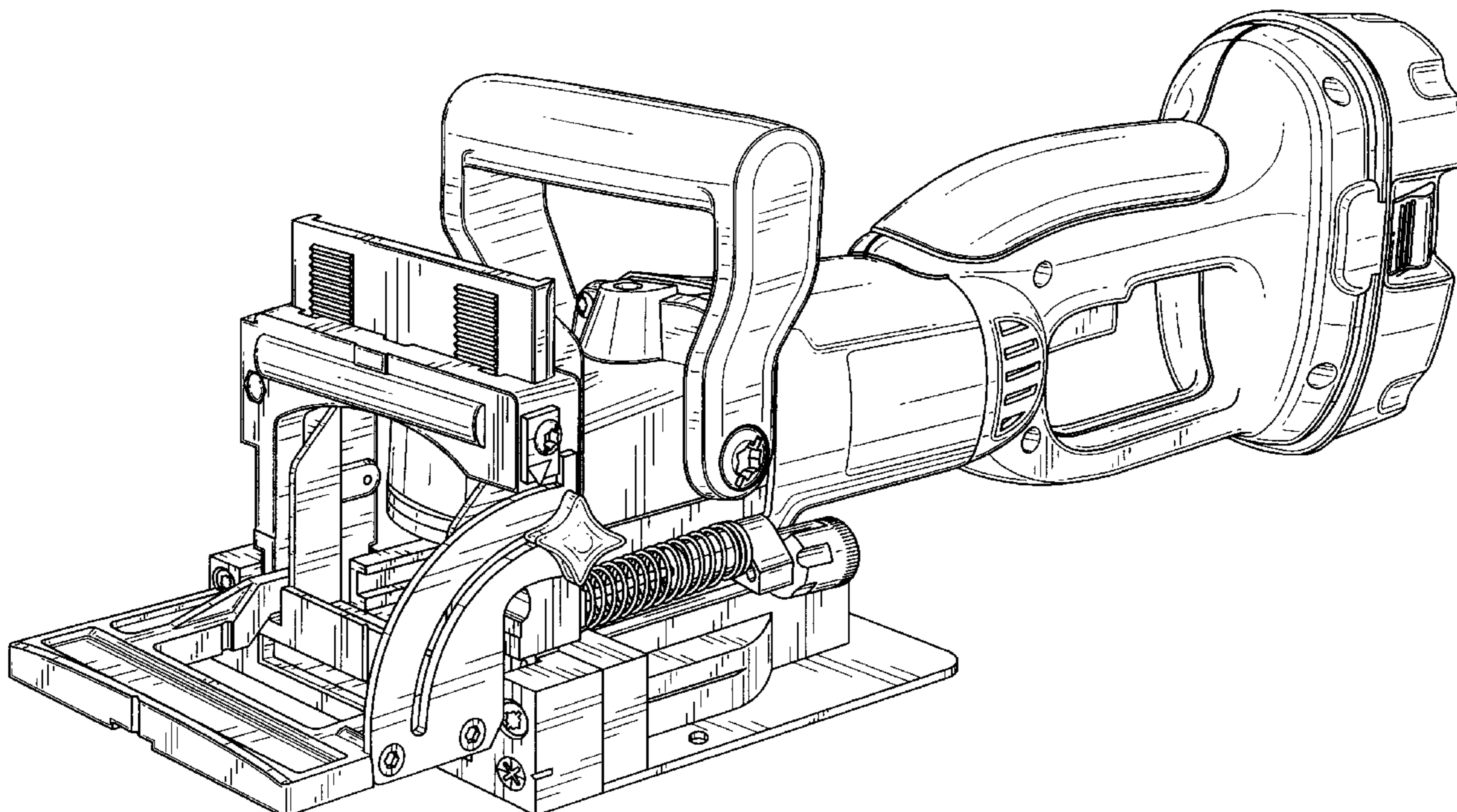
#### U.S. PATENT DOCUMENTS

D. 295,945	5/1988	Sakamoto et al. .	
D. 315,281	3/1991	Bosten et al. .	
D. 327,400	6/1992	Fushiya et al. .	
D. 330,836	11/1992	Fushiya et al. .	
D. 350,468	9/1994	Chunn et al. .	
D. 363,656	10/1995	Gierke .	
D. 400,771	11/1998	Smith et al. ....	D8/63
4,461,330	7/1984	Judkins .	
4,622,749	11/1986	Inagaki .	
4,785,540	11/1988	Arvidsson .....	30/520

### DESCRIPTION

FIG. 1 is a front perspective view of a plate joiner showing our new design.  
FIG. 2 is a right side view thereof.  
FIG. 3 is a left side elevational view thereof.  
FIG. 4 is a top plan view thereof.  
FIG. 5 is a bottom plan view thereof.  
FIG. 6 is a front elevational view thereof; and,  
FIG. 7 is a rear elevational view thereof.

**1 Claim, 6 Drawing Sheets**



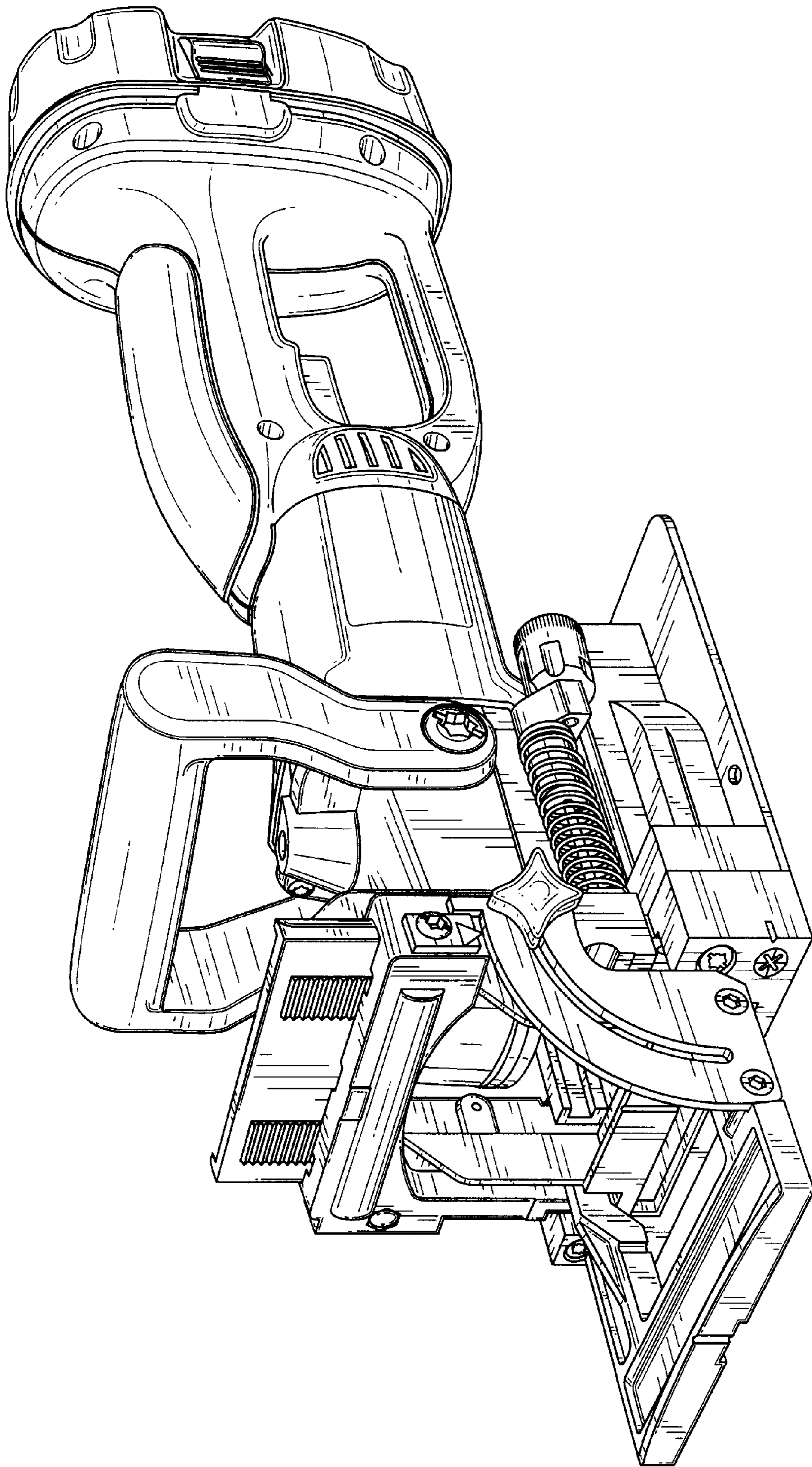


FIG. 1

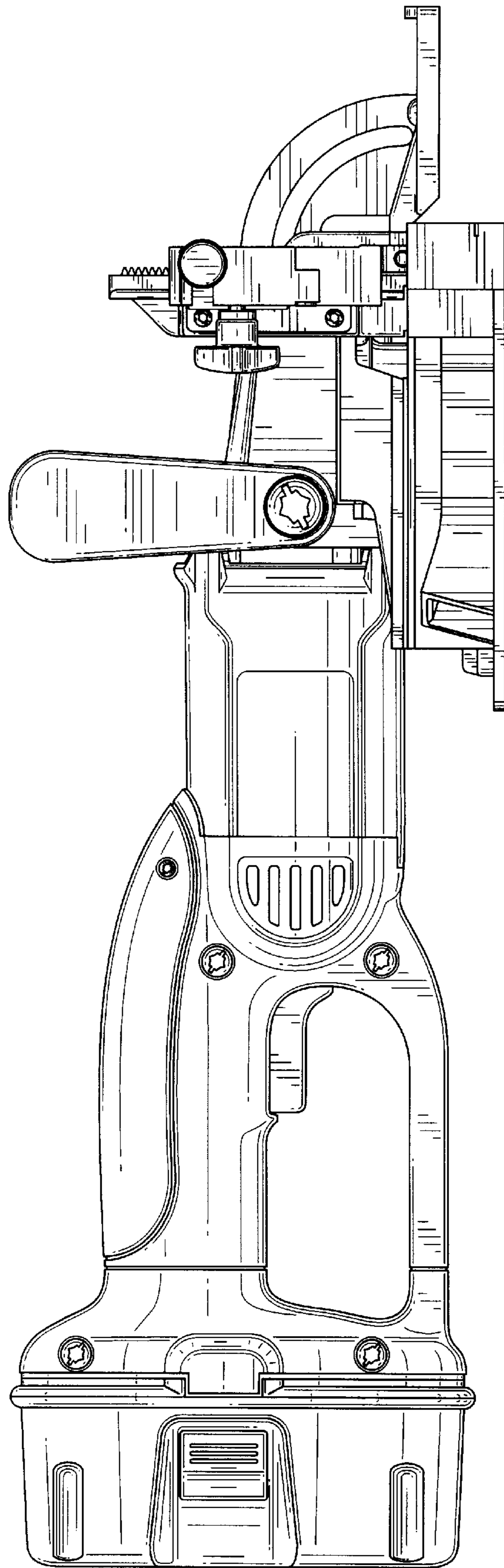


FIG. 2

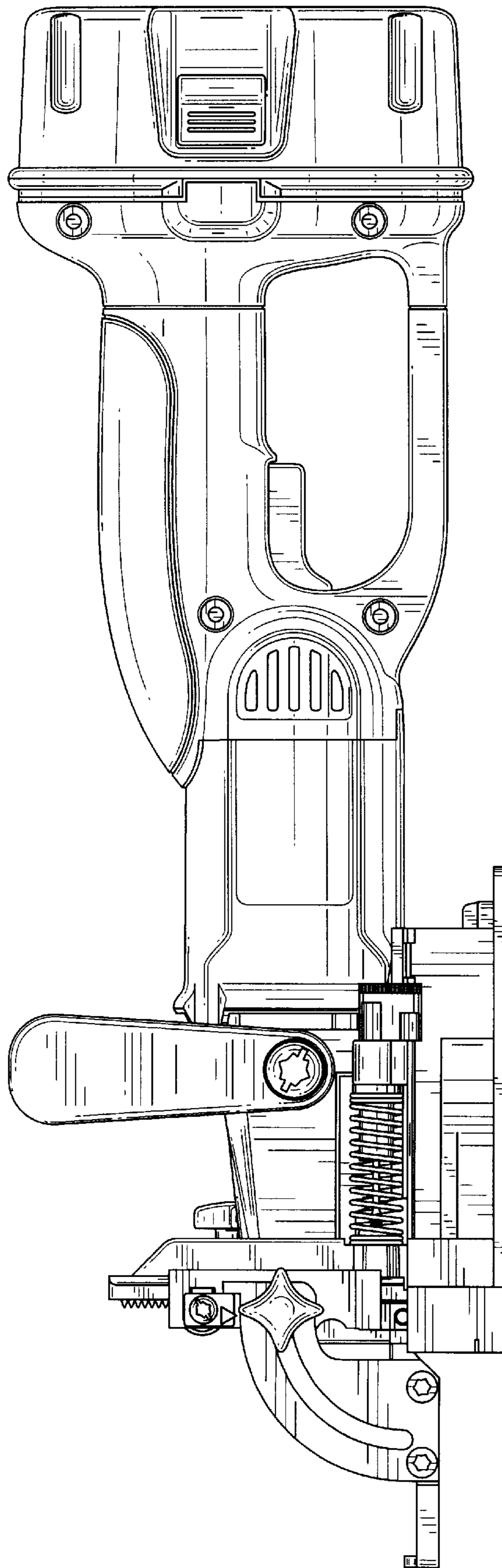


FIG. 3

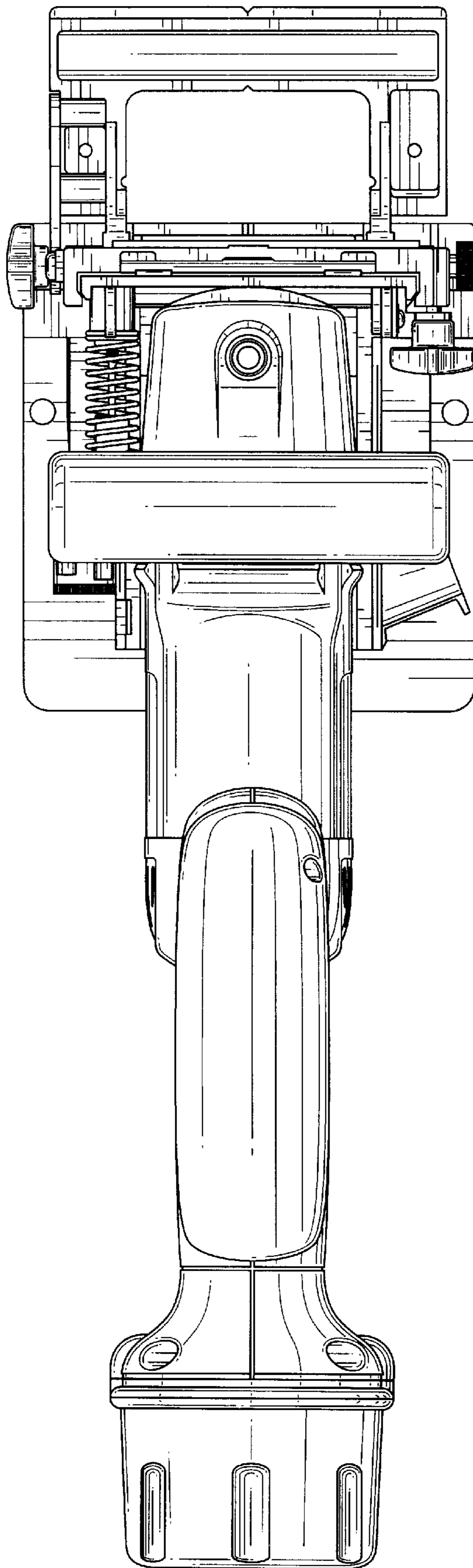


FIG. 4

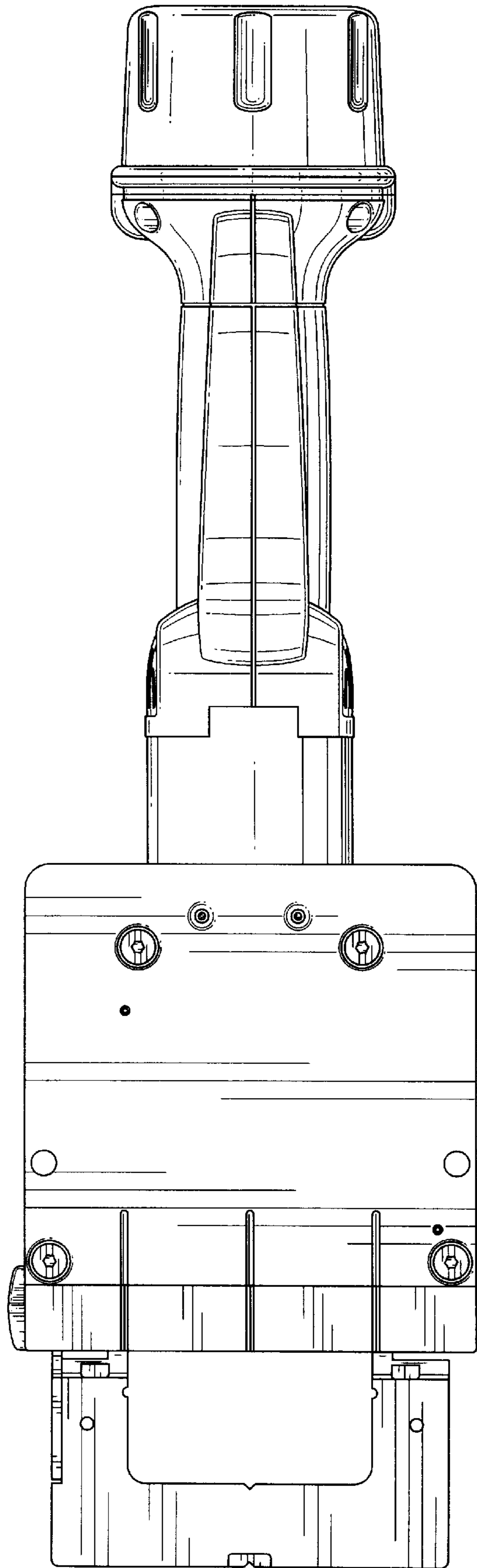


FIG. 5

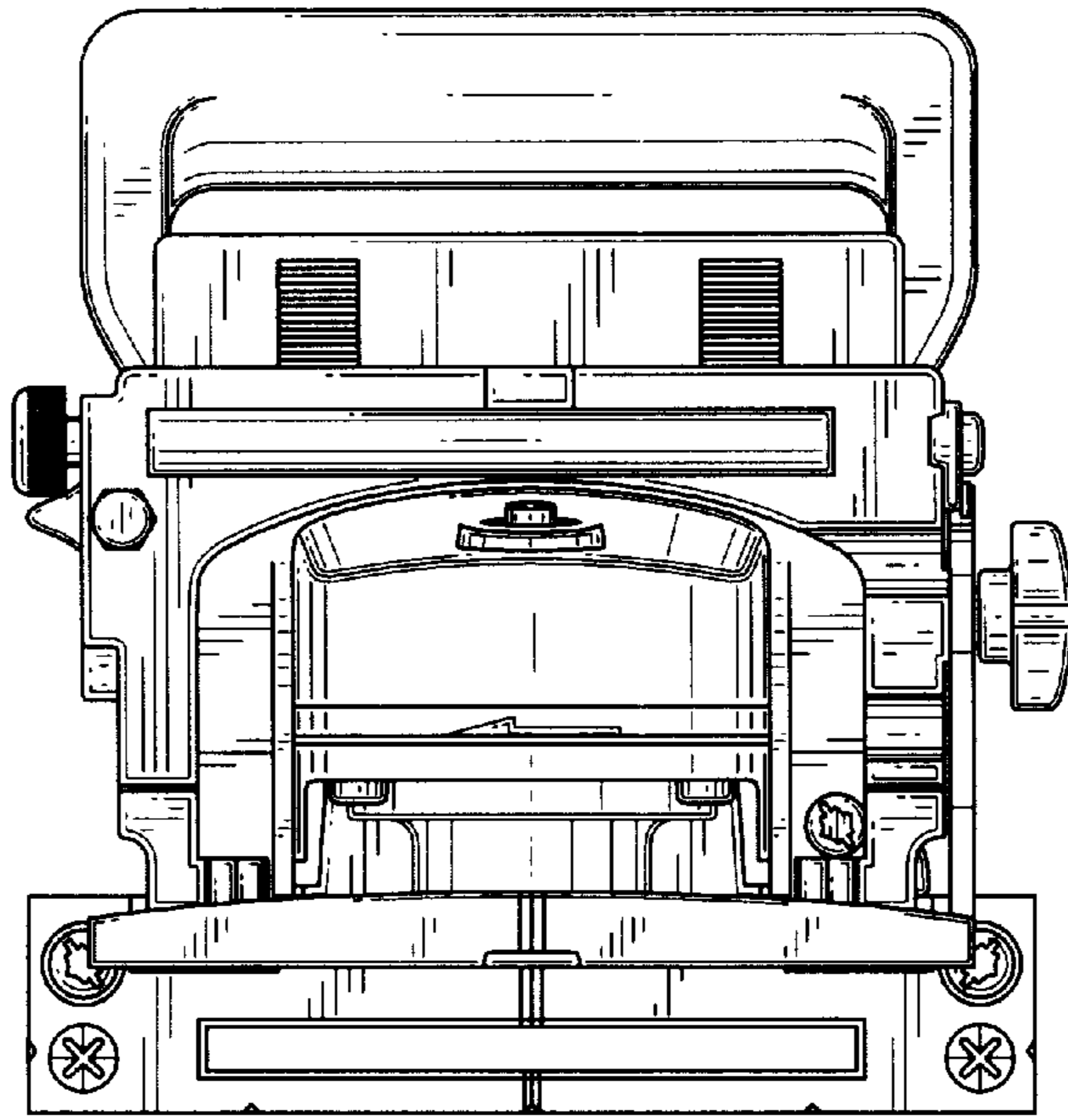


FIG. 6

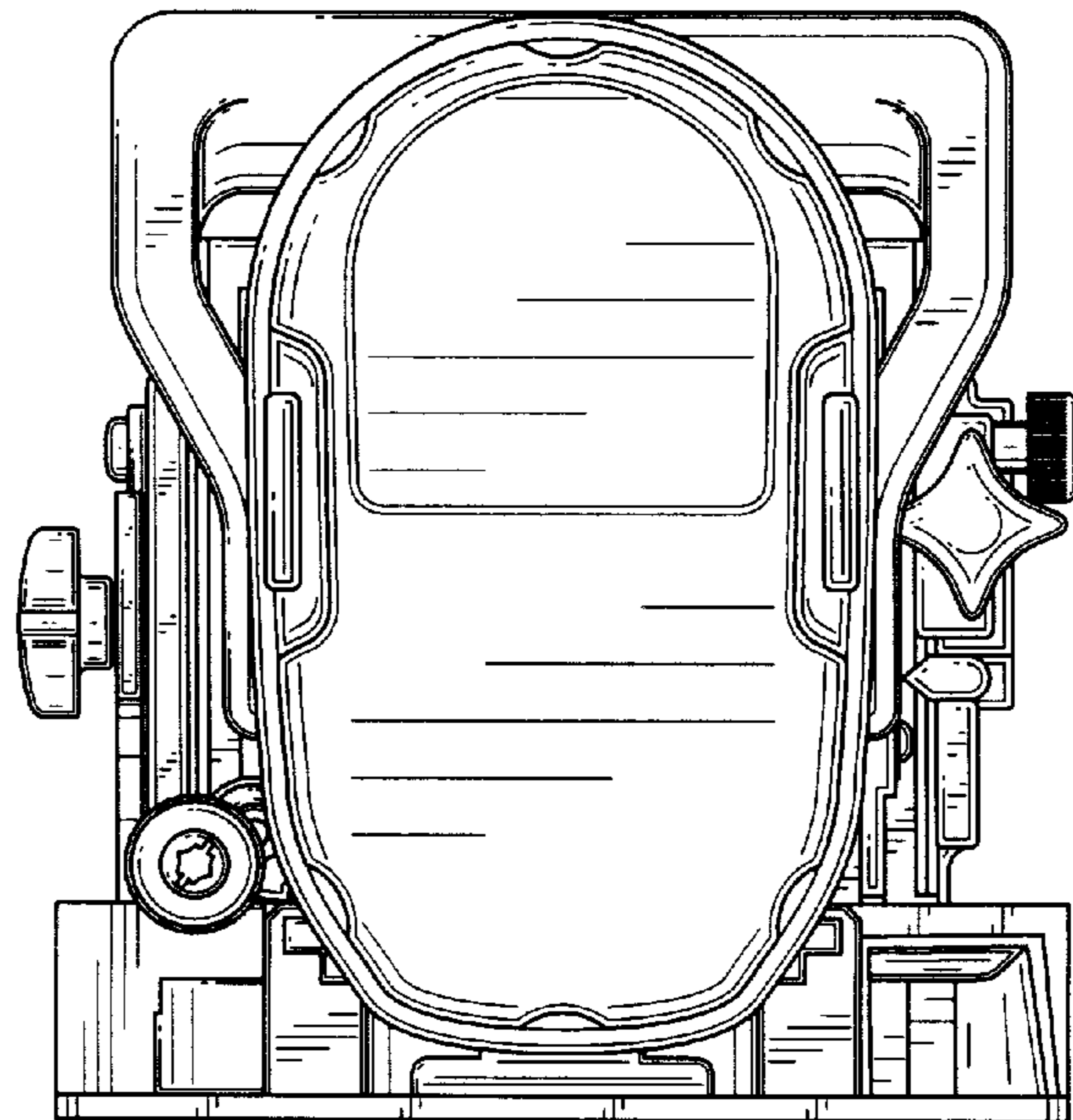


FIG. 7