



US00D431437S

United States Patent [19]

[11] Patent Number: **Des. 431,437**

Niwa et al.

[45] Date of Patent: **** Oct. 3, 2000**

[54] SANDER

[75] Inventors: **Norifumi Niwa, Anjo; Taro Nagahama, Okazaki, both of Japan**

[73] Assignee: **Makita Corporation, Anjo, Japan**

[**] Term: **14 Years**

[21] Appl. No.: **29/102,600**

[22] Filed: **Mar. 29, 1999**

[30] Foreign Application Priority Data

Sep. 30, 1998 [JP] Japan 10-28157

[51] LOC (7) Cl. **08-01**

[52] U.S. Cl. **D8/62; D8/69**

[58] Field of Search D8/61, 62, 67, D8/69, 70, DIG. 7; 451/48, 103, 108, 109, 111, 119, 162, 177, 259, 270, 344, 351-353, 357-359

[56] References Cited

U.S. PATENT DOCUMENTS

- D. 141,577 6/1945 Resnick D8/62
- D. 160,997 11/1950 Champayne D8/62
- D. 326,398 5/1992 Fushiya et al. D8/62

- D. 332,558 1/1993 Hoshino et al. D8/62
- D. 386,376 11/1997 Kaneko et al. D19/62
- 5,074,081 12/1991 Beth et al. 451/344
- 5,357,715 10/1994 Hiramatsu 451/357
- 5,947,804 9/1999 Fukinuki et al. 451/357

OTHER PUBLICATIONS

Bosch Professional Power Tools for Trade & Industry, 1995 Catalog.

Primary Examiner—Martie K. Holtje
Attorney, Agent, or Firm—Foley, Hoag & Eliot LLP; W. Hugo Liepmann

[57] CLAIM

The ornamental design for a sander, as shown and described.

DESCRIPTION

FIG. 1 is a perspective view of a sander showing my new design;
 FIG. 2 is a front elevational view thereof;
 FIG. 3 is a rear side elevational view thereof;
 FIG. 4 is a left side elevational view thereof;
 FIG. 5 is a right side elevational view thereof;
 FIG. 6 is a top plan view thereof; and,
 FIG. 7 is a bottom plan view thereof.

1 Claim, 7 Drawing Sheets

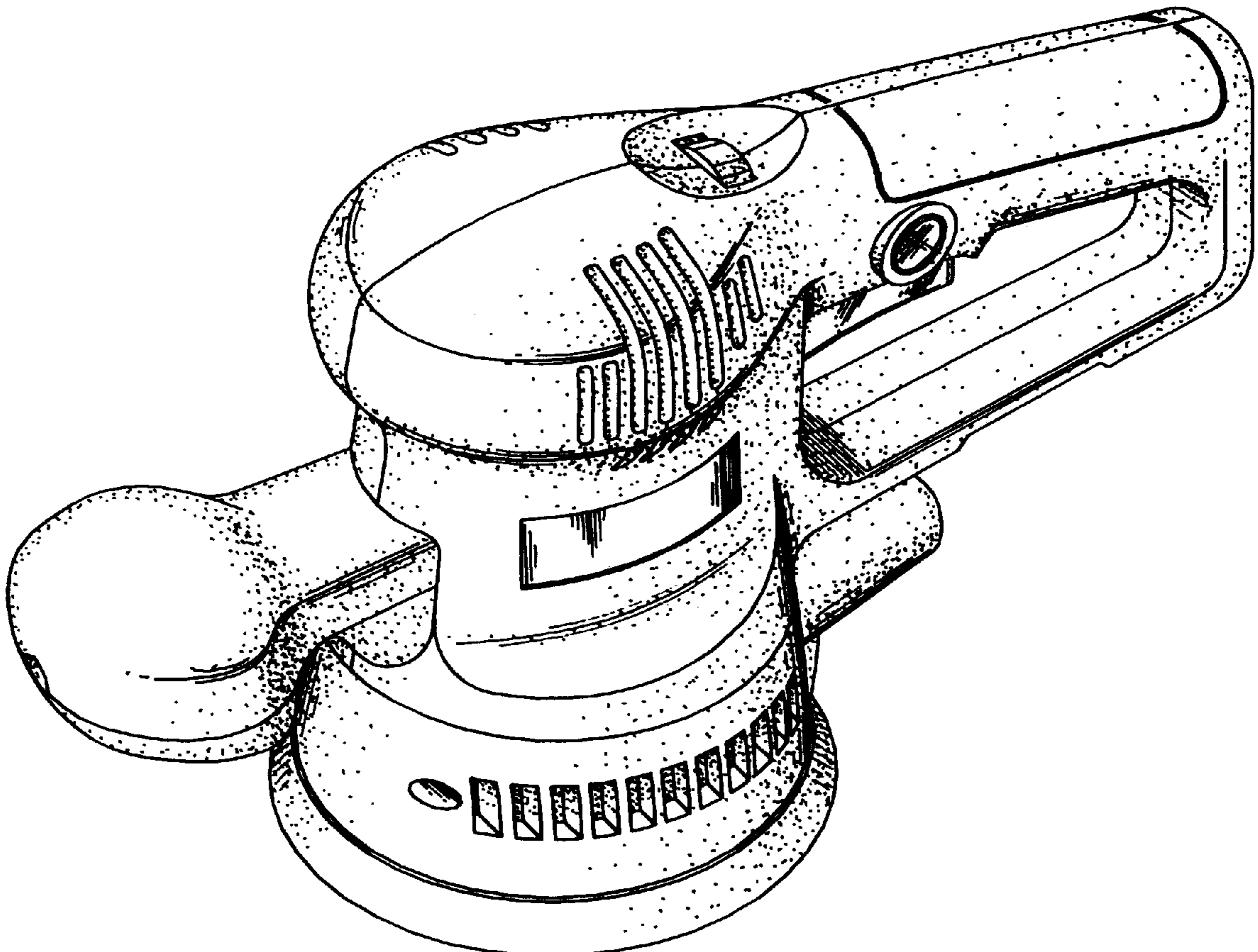


FIG. 1

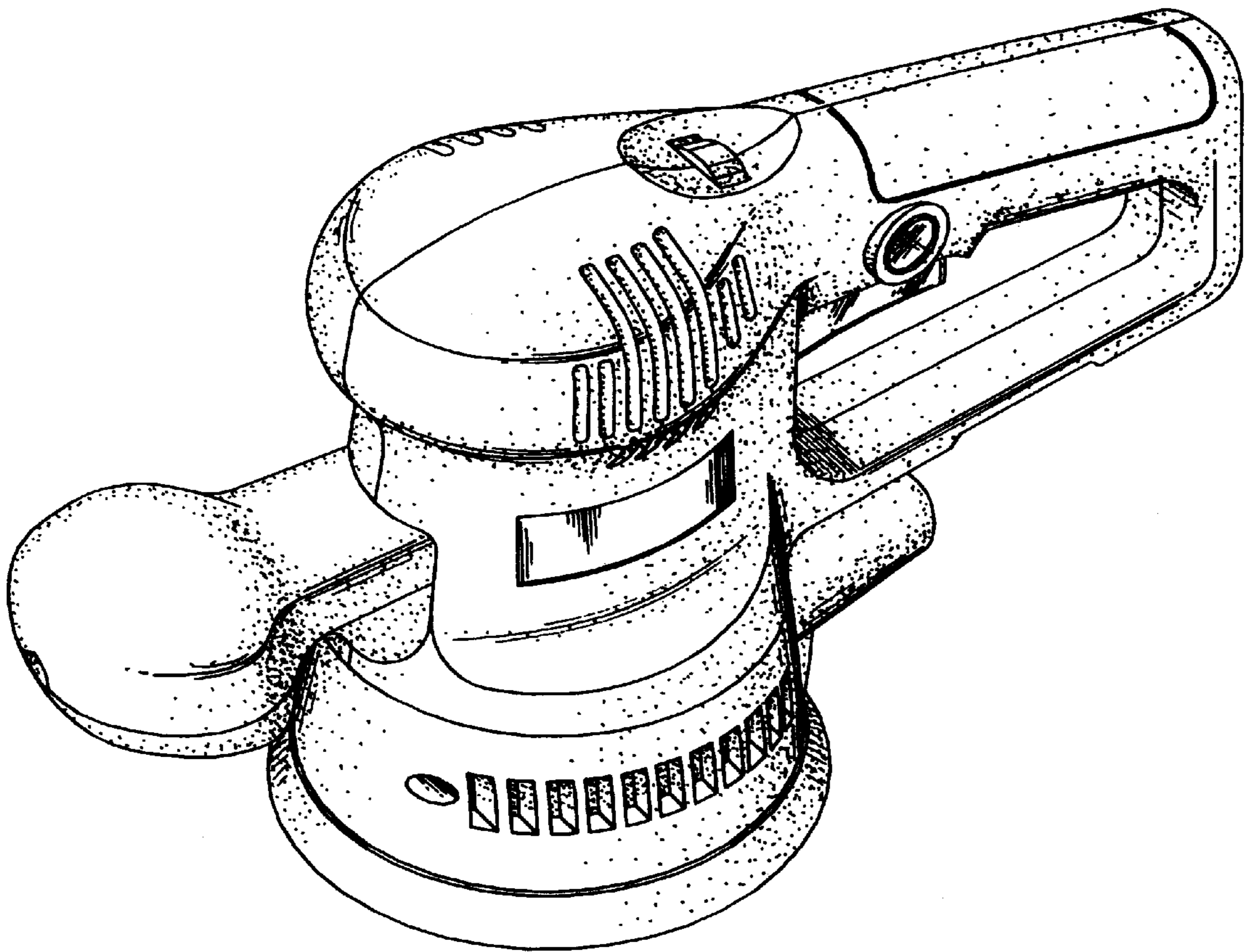


FIG. 2

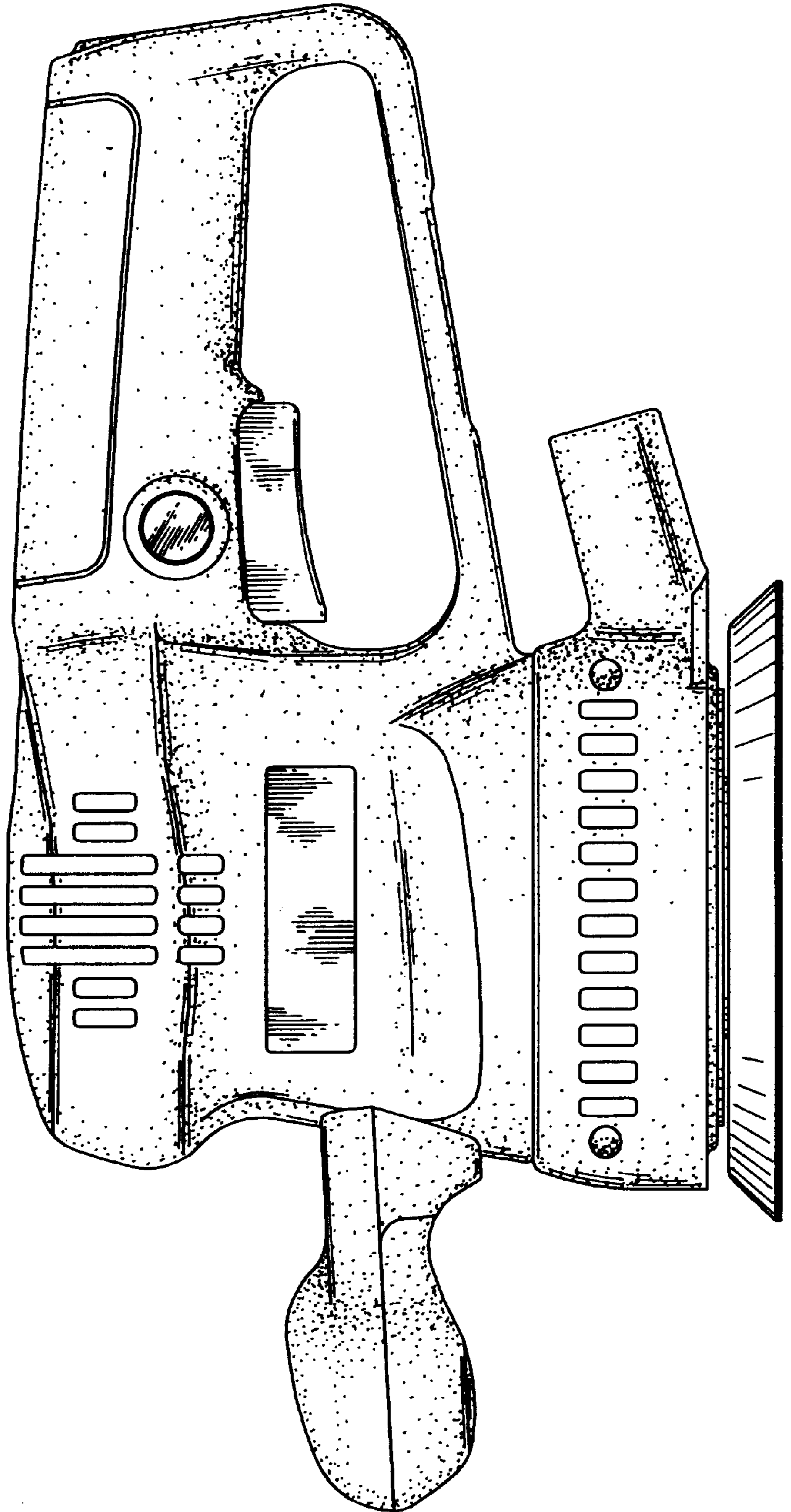


FIG. 3

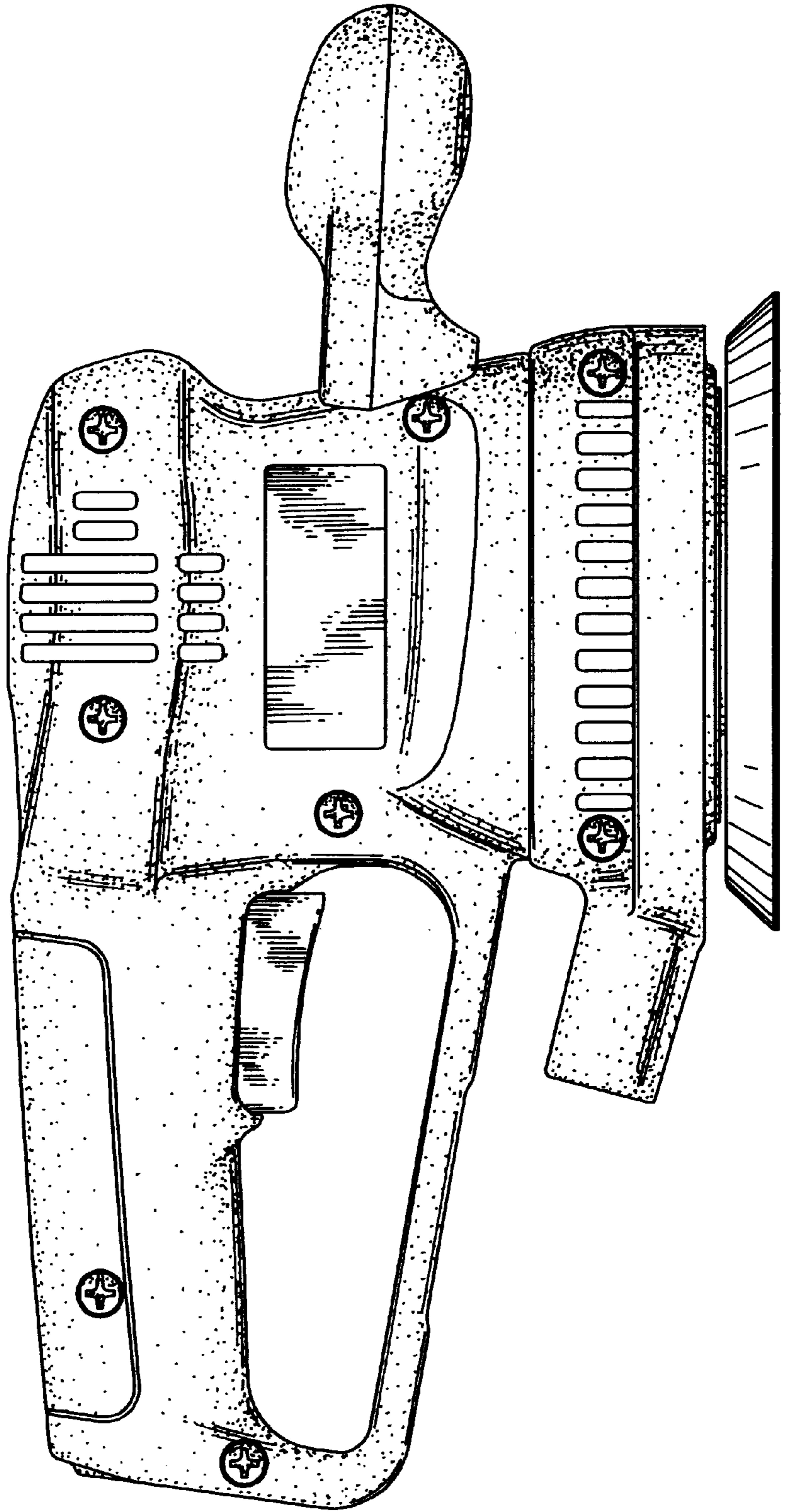


FIG. 4

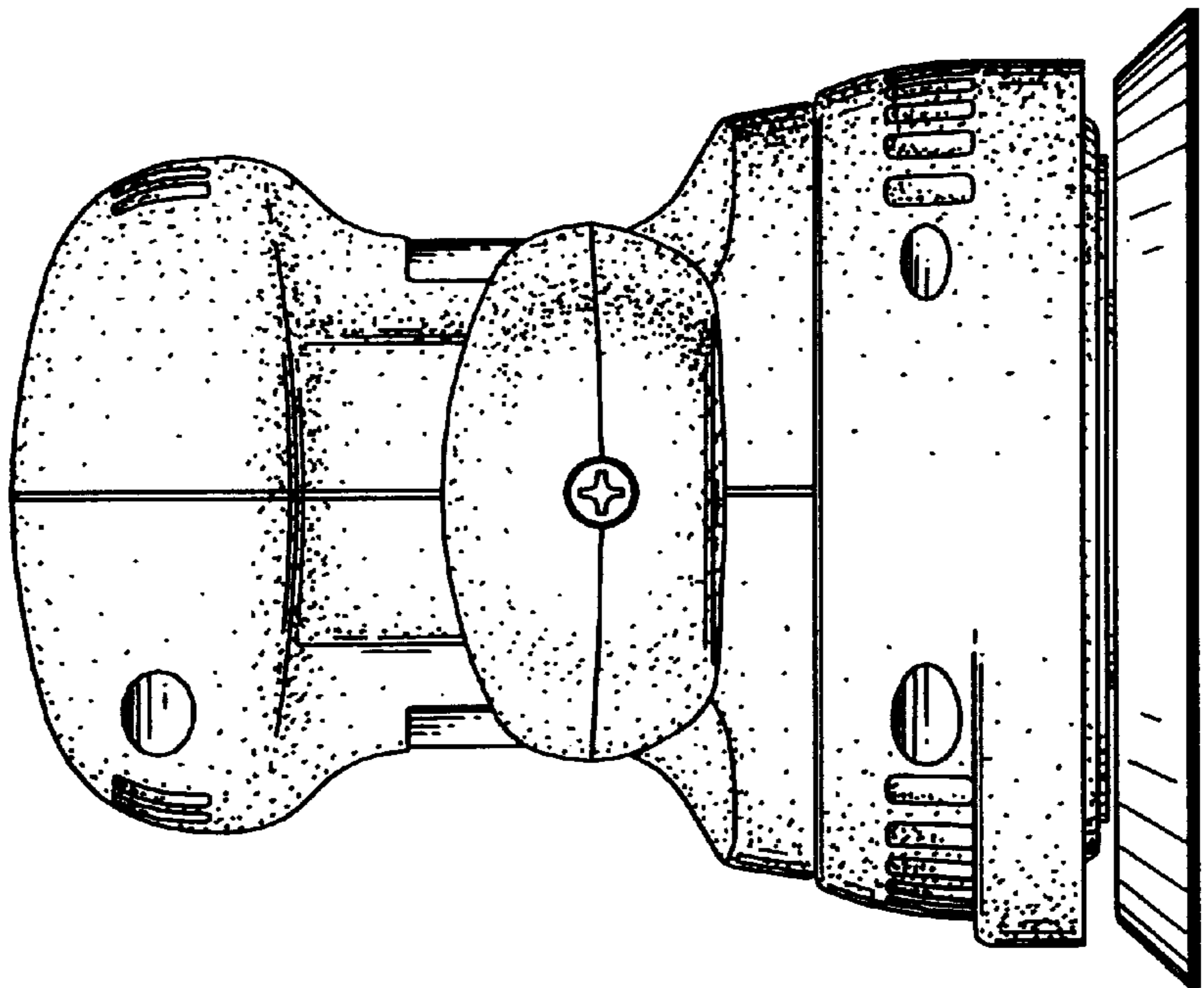


FIG. 5

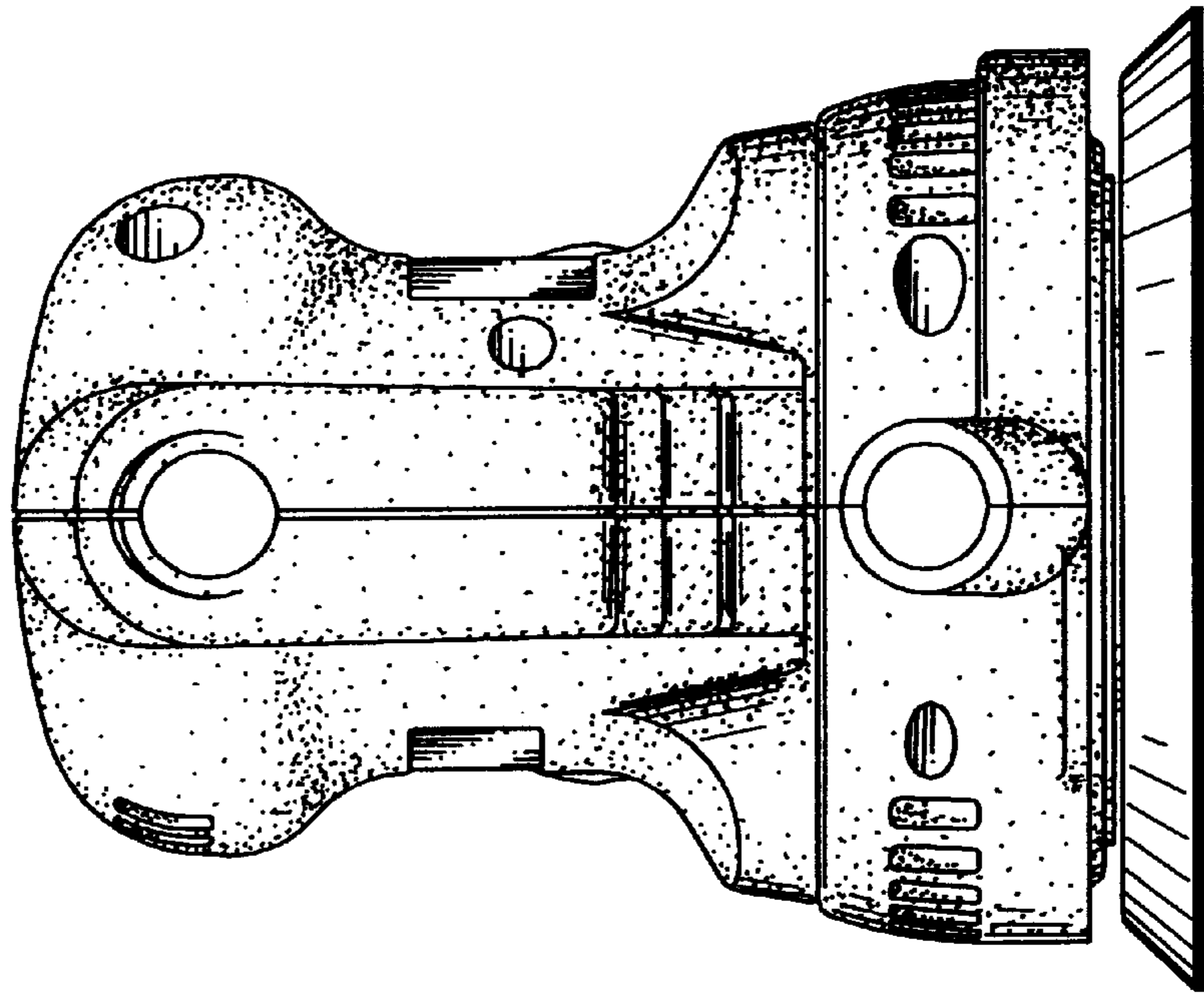


FIG. 6

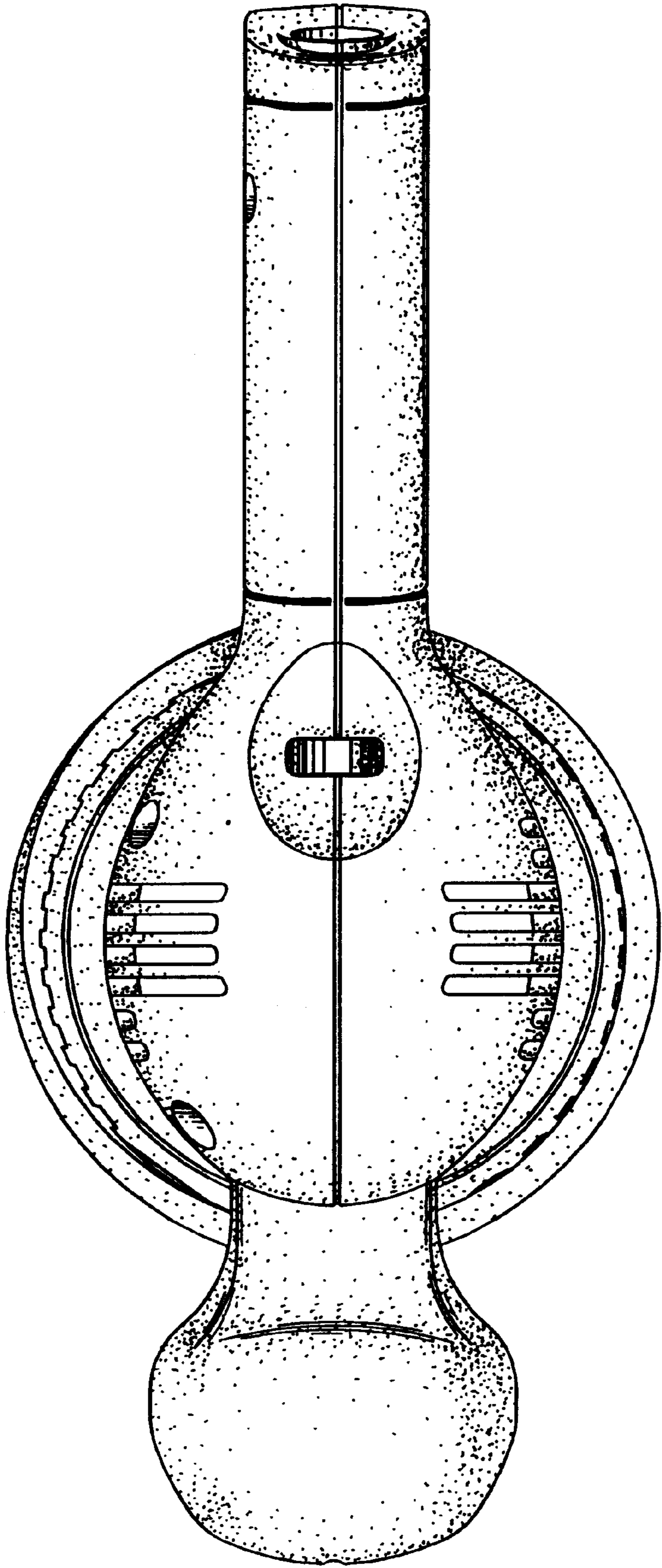


FIG. 7

