



US00D431433S

United States Patent [19] Tiedge

[11] **Patent Number: Des. 431,433**

[45] **Date of Patent: ** Oct. 3, 2000**

[54] **SKATEBOARD TRUCK WRENCH**

[76] Inventor: **Walter H. Tiedge**, 957 Diamond Cir.,
Mesquite, Nev. 89027

[**] Term: **14 Years**

[21] Appl. No.: **29/112,897**

[22] Filed: **Oct. 26, 1999**

[51] **LOC (7) Cl. 08-05**

[52] **U.S. Cl. D8/28**

[58] **Field of Search** D8/17, 19, 21-29;
81/119, 121.1, 124.4, 124.3, 124.7, 125.1,
186, 176.15, 461, 436, 3.4

[56] **References Cited**

U.S. PATENT DOCUMENTS

174,486	3/1876	Collingsworth	81/125.1
D. 276,124	10/1984	Liu	D8/17
D. 341,066	11/1993	Wallace	D8/28
D. 347,370	5/1994	Runevitch	D8/21
1,316,398	9/1919	Steininger	81/119

1,746,452	2/1930	Wesson	81/125.1
2,619,861	12/1952	Wanamaker	81/461
3,029,673	4/1962	Godsey	D8/28
5,033,501	7/1991	Stehling	81/176.15
5,492,040	2/1996	Bellas	81/124.4

Primary Examiner—Raphael Barkai
Attorney, Agent, or Firm—Charles C. Logan, II

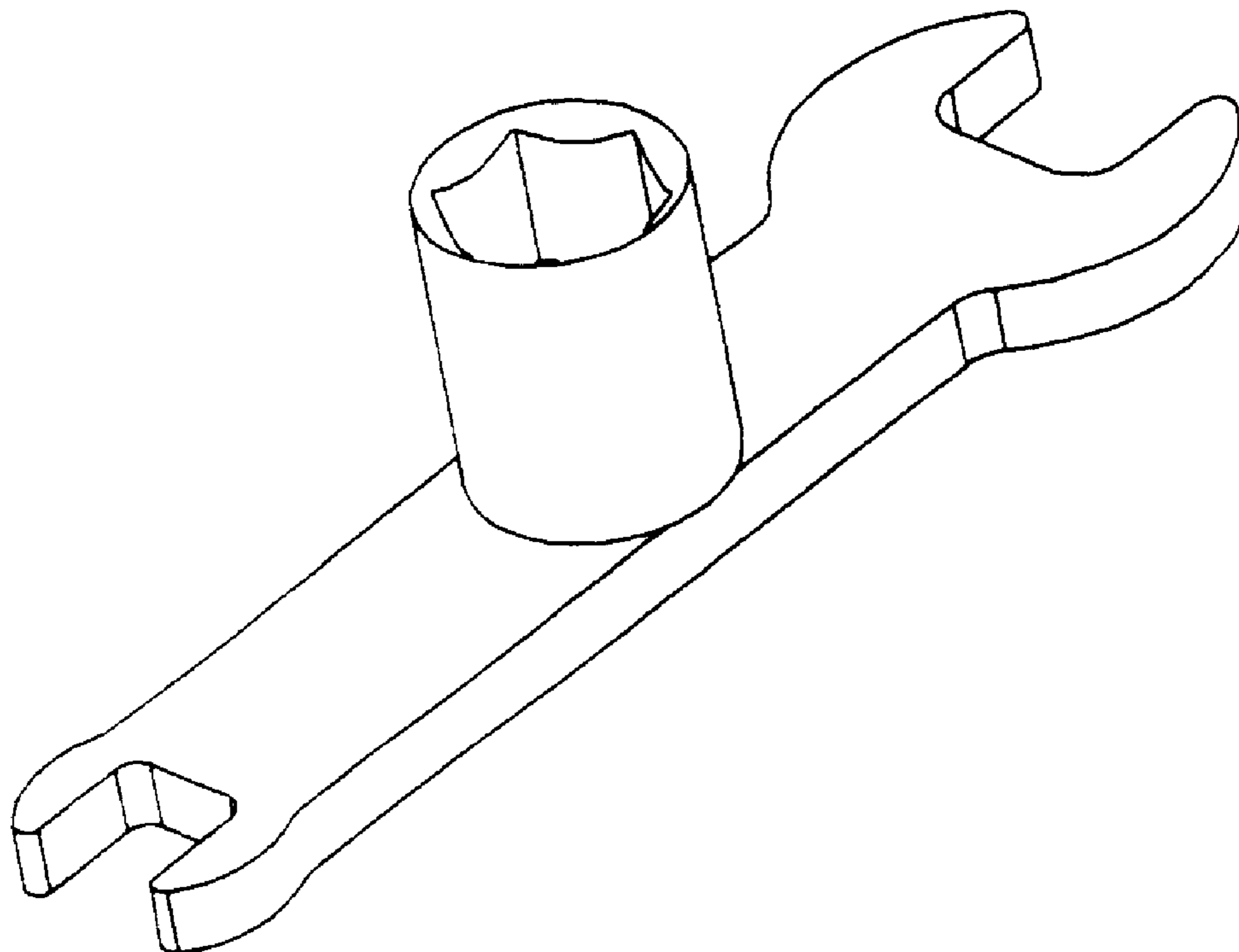
[57] **CLAIM**

The novel ornamental design for a skateboard truck wrench,
as shown and described.

DESCRIPTION

FIG. 1 is a front perspective view of the skateboard truck wrench;
FIG. 2 is a front elevation view thereof;
FIG. 3 is a left end elevation view thereof;
FIG. 4 is a right end elevation view thereof;
FIG. 5 is a rear elevation view thereof;
FIG. 6 is a top plan view thereof; and,
FIG. 7 is a bottom plan view thereof.

1 Claim, 2 Drawing Sheets



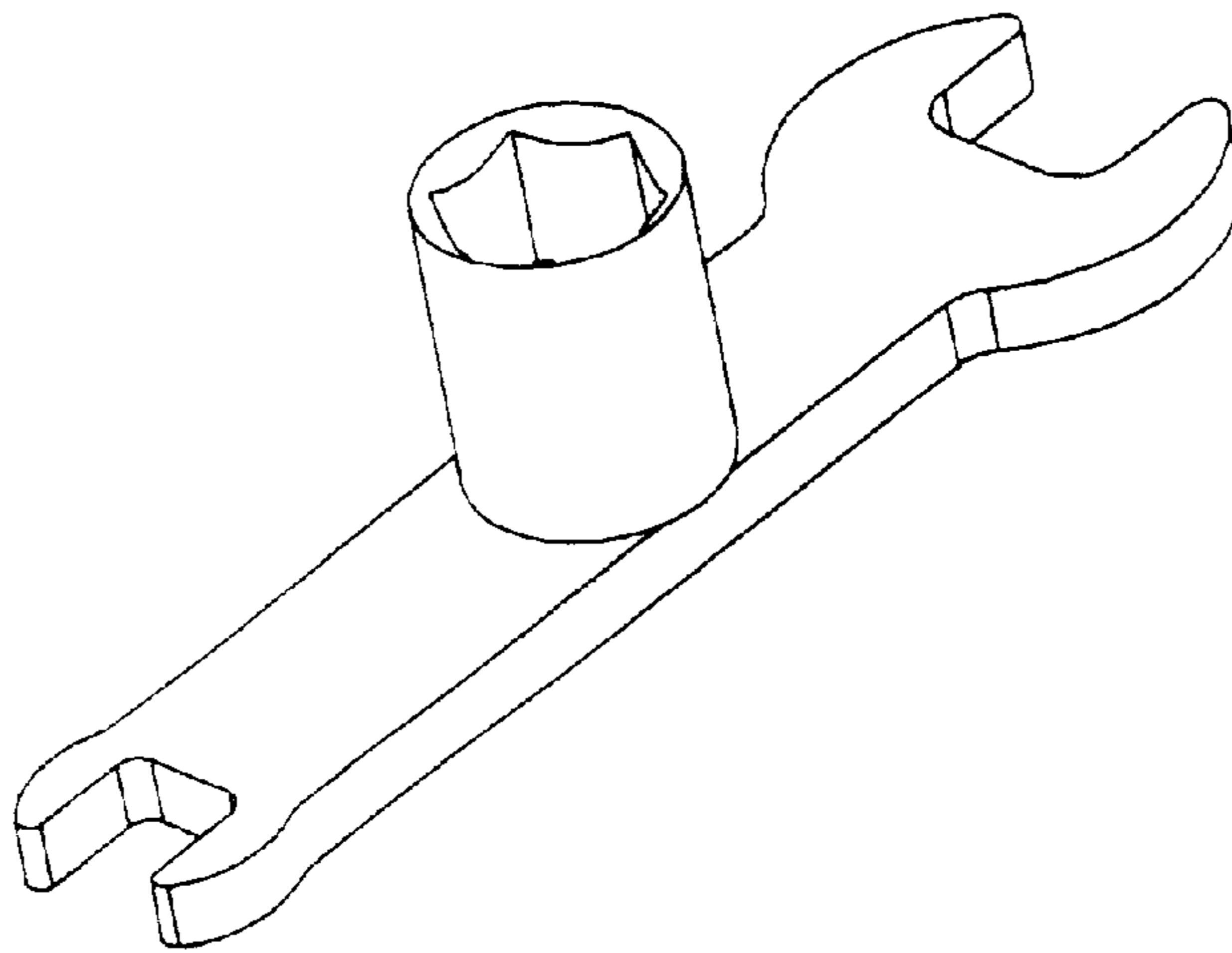


FIG. 1

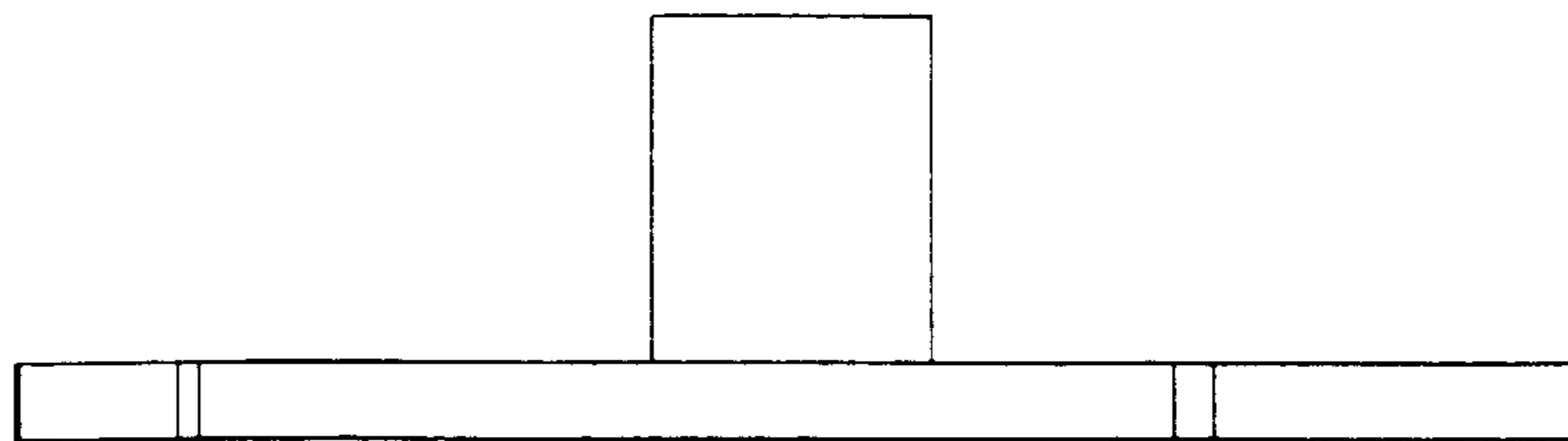


FIG. 2

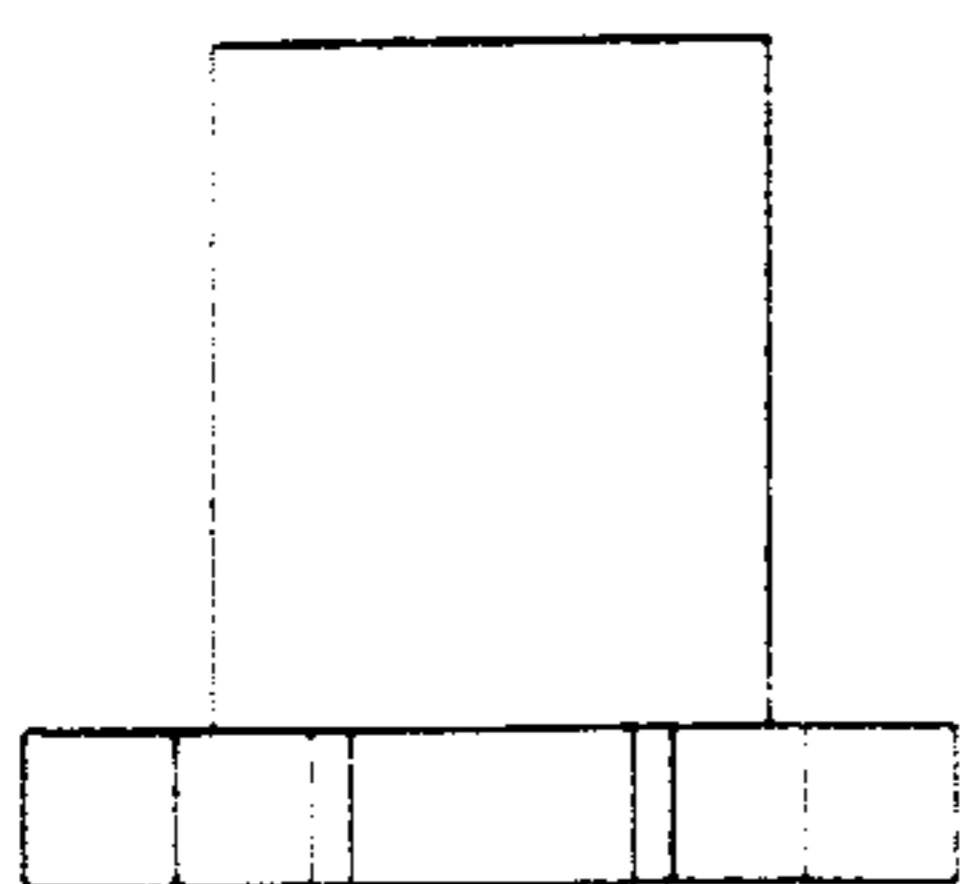


FIG. 3

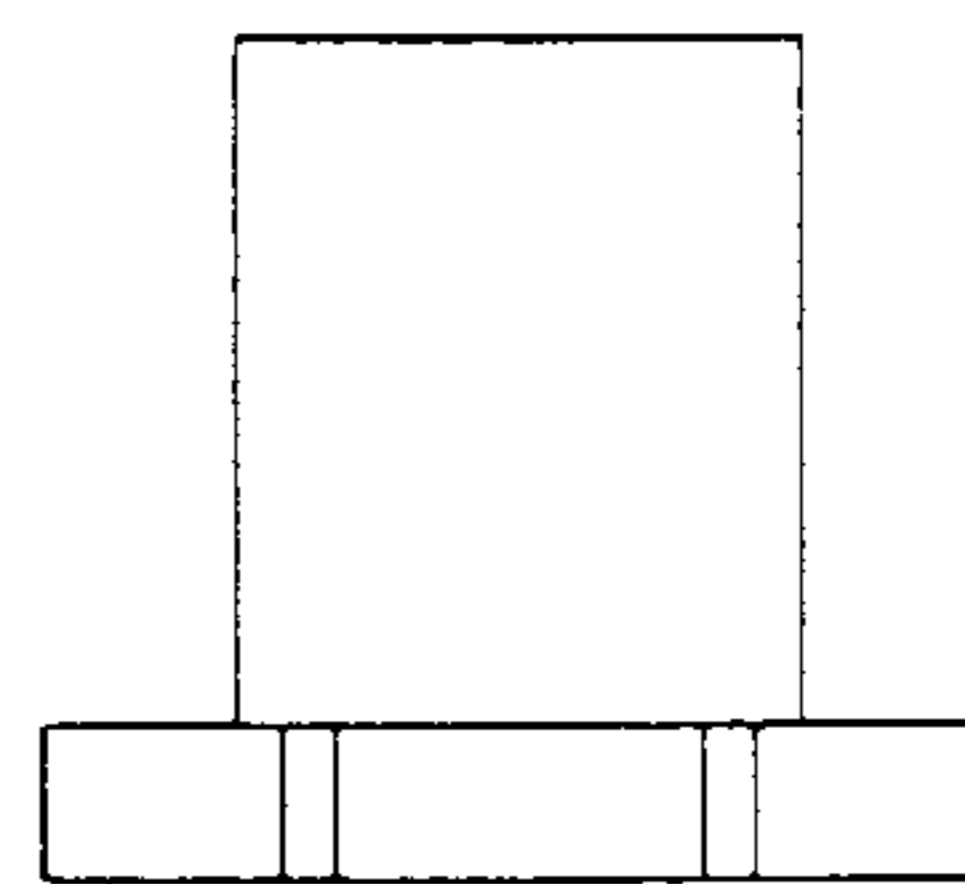


FIG. 4

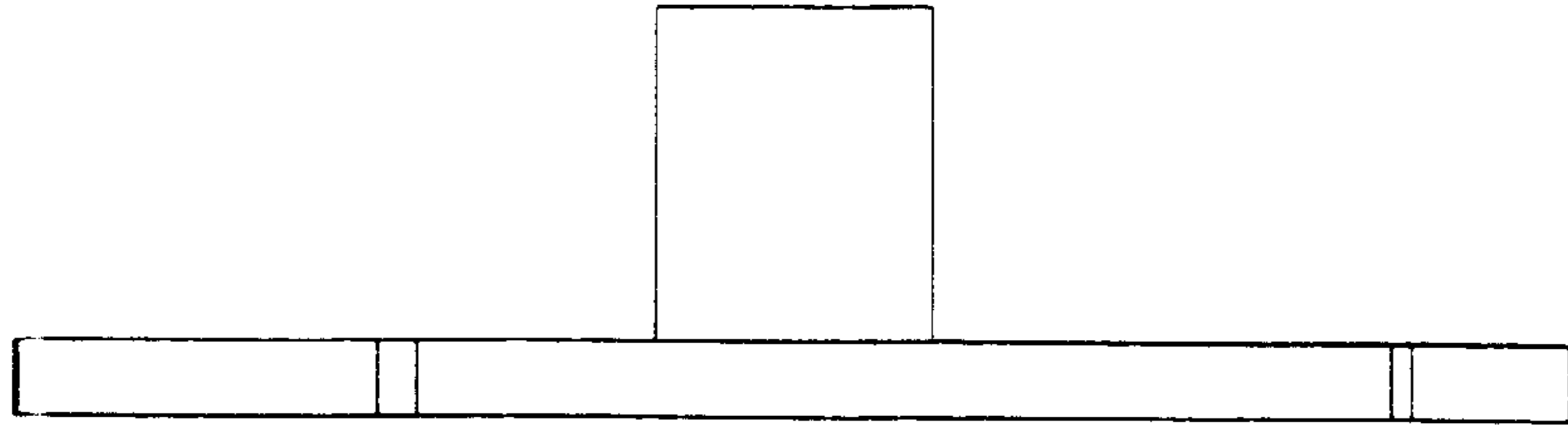


FIG. 5

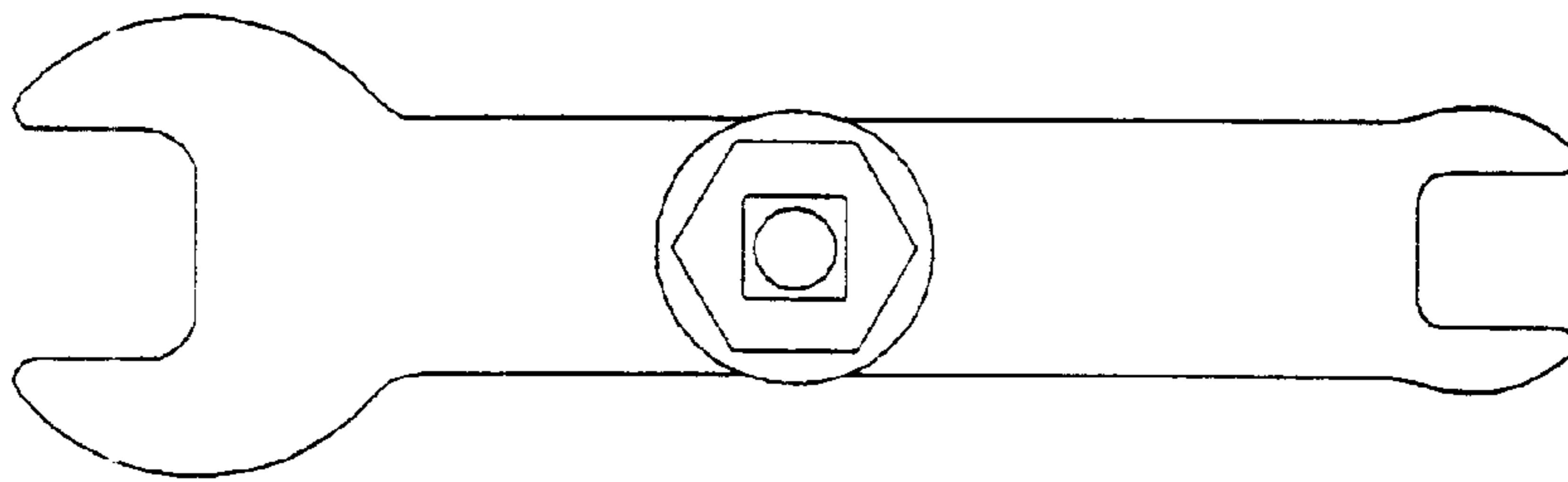


FIG. 6

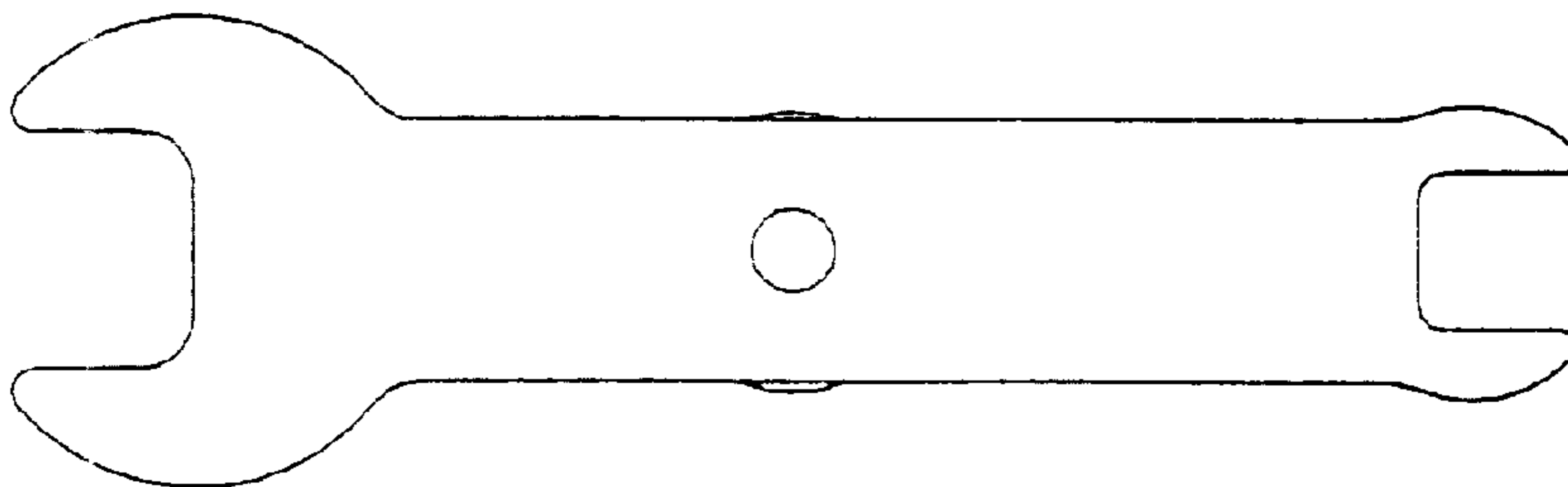


FIG. 7