



US00D431427S

United States Patent [19]

Syvuk et al.

[11] Patent Number: **Des. 431,427**

[45] Date of Patent: **** Oct. 3, 2000**

[54] **WATER BOTTLE SHELF**

[75] Inventors: **Max Syvuk**, Middleburg Heights;
Stephen Hardy, Wadsworth, both of Ohio

[73] Assignee: **RTC Industries, Inc.**, Rolling Meadows, Ill.

[**] Term: **14 Years**

[21] Appl. No.: **29/105,413**

[22] Filed: **May 24, 1999**

[51] **LOC (7) Cl.** **06-04**

[52] **U.S. Cl.** **D7/708**

[58] **Field of Search** D7/701, 707, 708;
D6/407, 567, 570, 574; 211/71.01, 74,
134, 186, 194; D34/38

[56] **References Cited**

U.S. PATENT DOCUMENTS

D. 256,346 8/1980 Annis D34/38

D. 329,963 10/1992 Schneider D7/701 X
D. 385,080 10/1997 Warren et al. D34/38
4,431,107 2/1984 Bergstrom et al. 211/194 X
5,370,245 12/1994 Tersch et al. 211/194 X

Primary Examiner—Terry A. Wallace
Attorney, Agent, or Firm—Dick and Harris

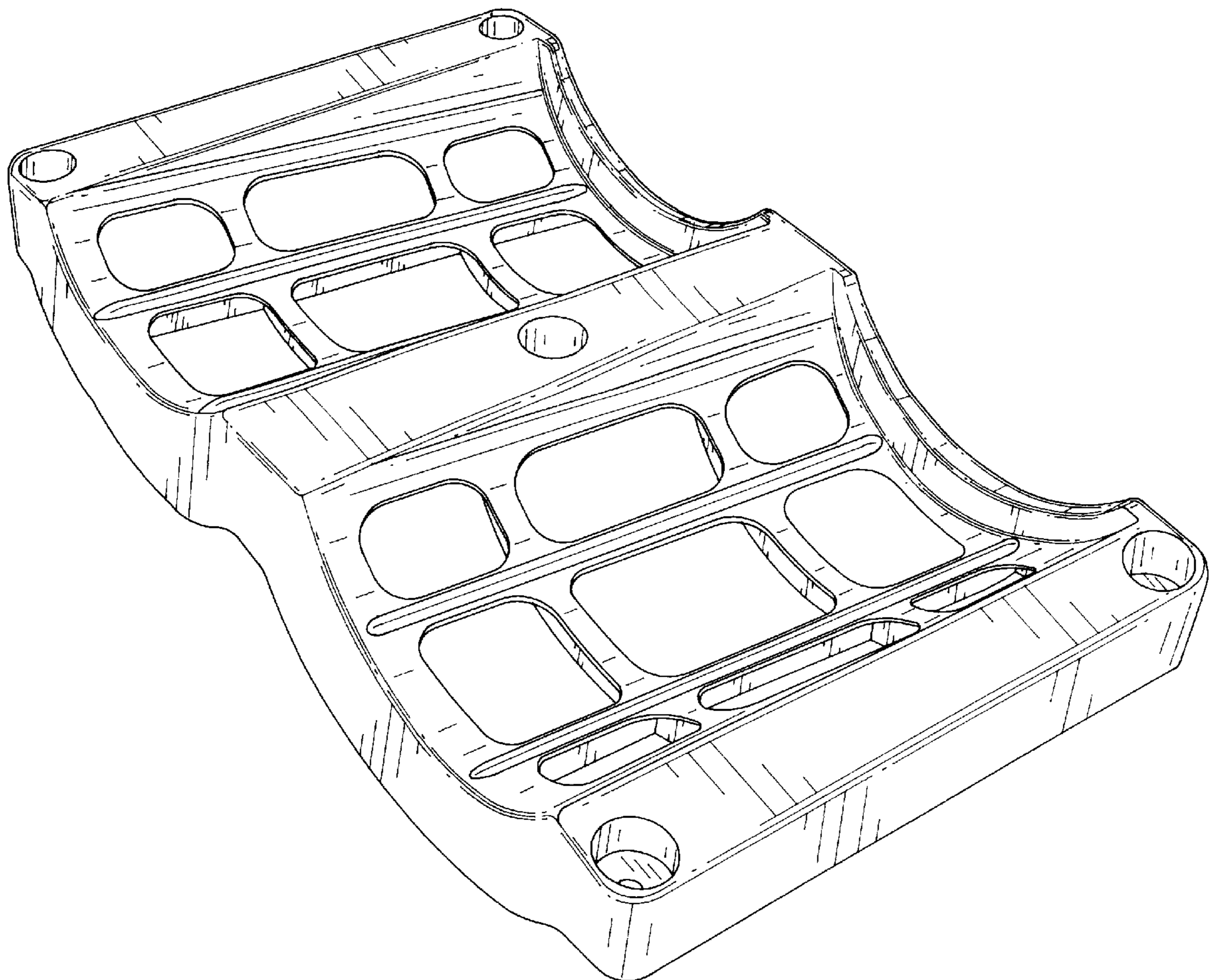
[57] **CLAIM**

The ornamental design for a water bottle shelf, as described and shown.

DESCRIPTION

FIG. 1 is a top perspective view showing the water bottle shelf of our new ornamental design;
FIG. 2 is a front view of the embodiment of the water bottle shelf of FIG. 1;
FIG. 3 is a rear view thereof;
FIG. 4 is a left side thereof;
FIG. 5 is a right side view thereof;
FIG. 6 is a top view thereof; and,
FIG. 7 is a bottom view thereof.

1 Claim, 5 Drawing Sheets



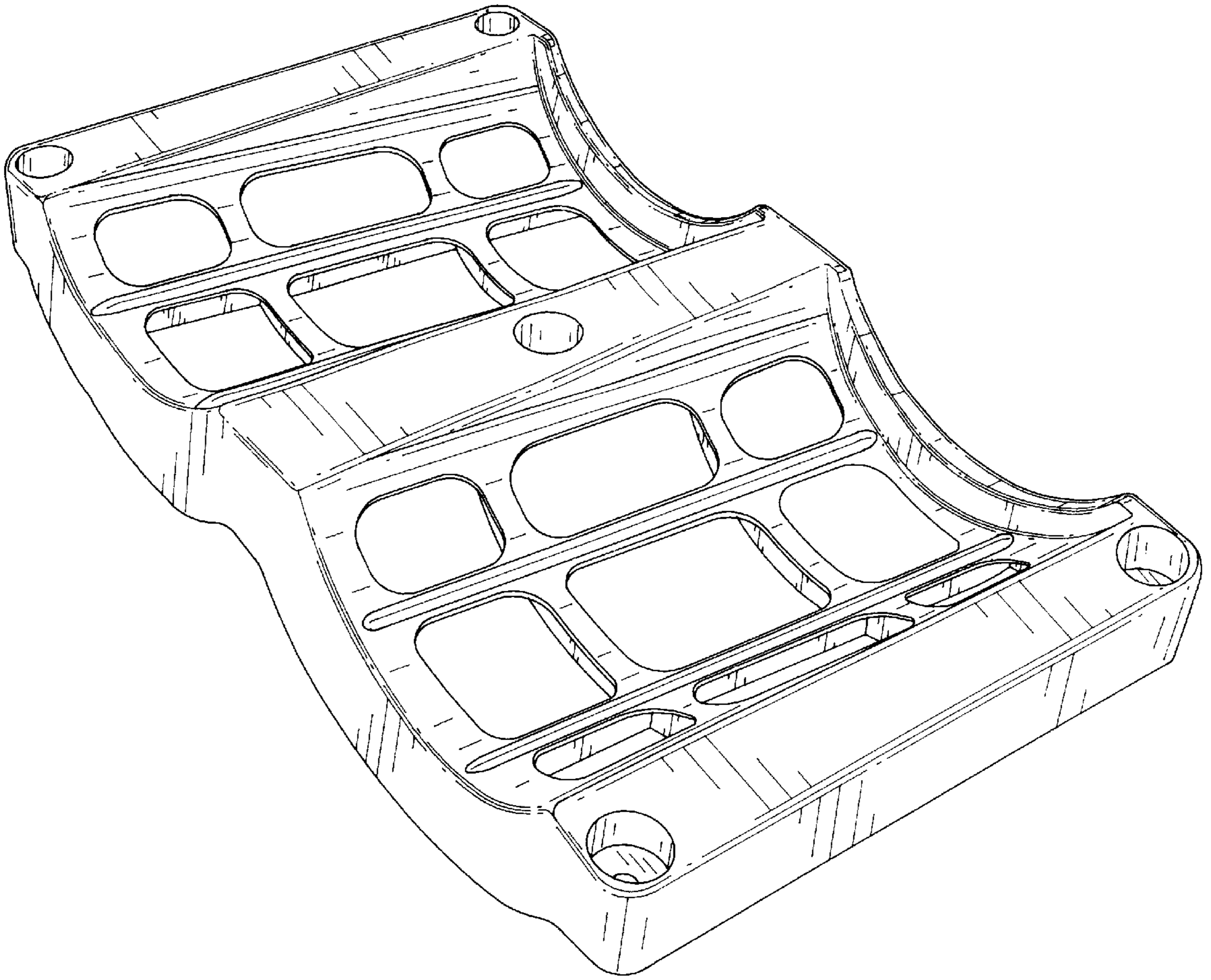


FIG. 1



FIG. 2

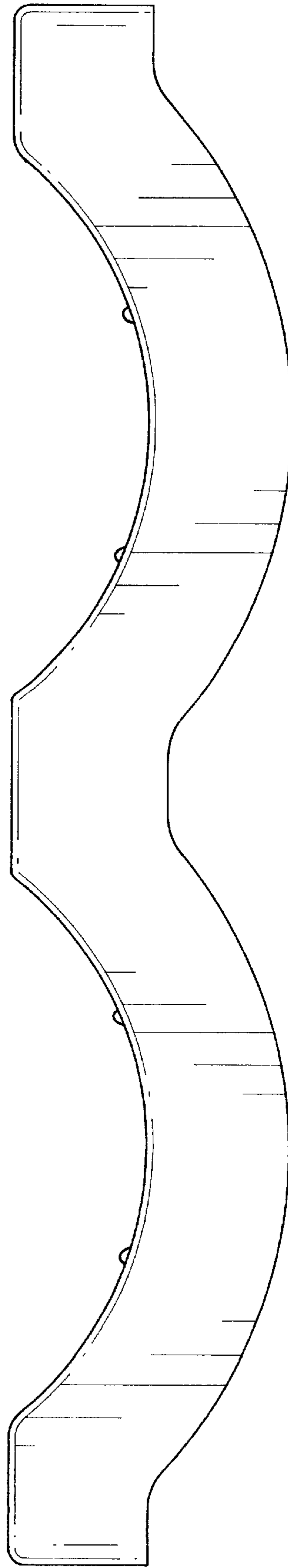


FIG. 3

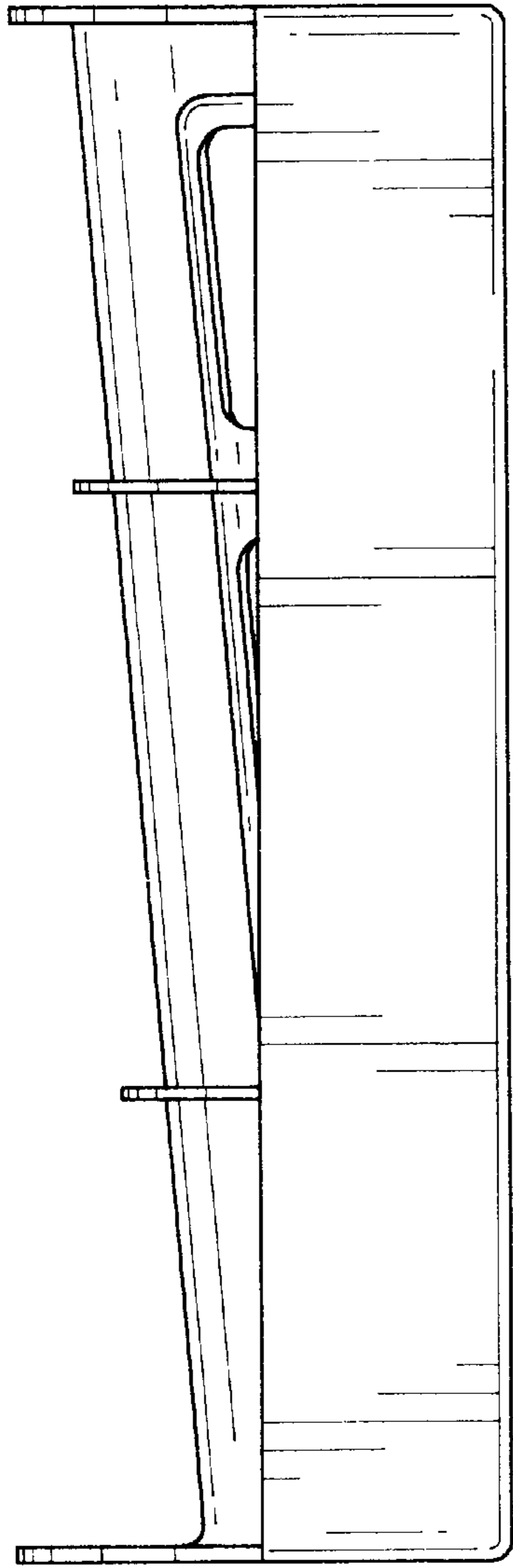


FIG. 4

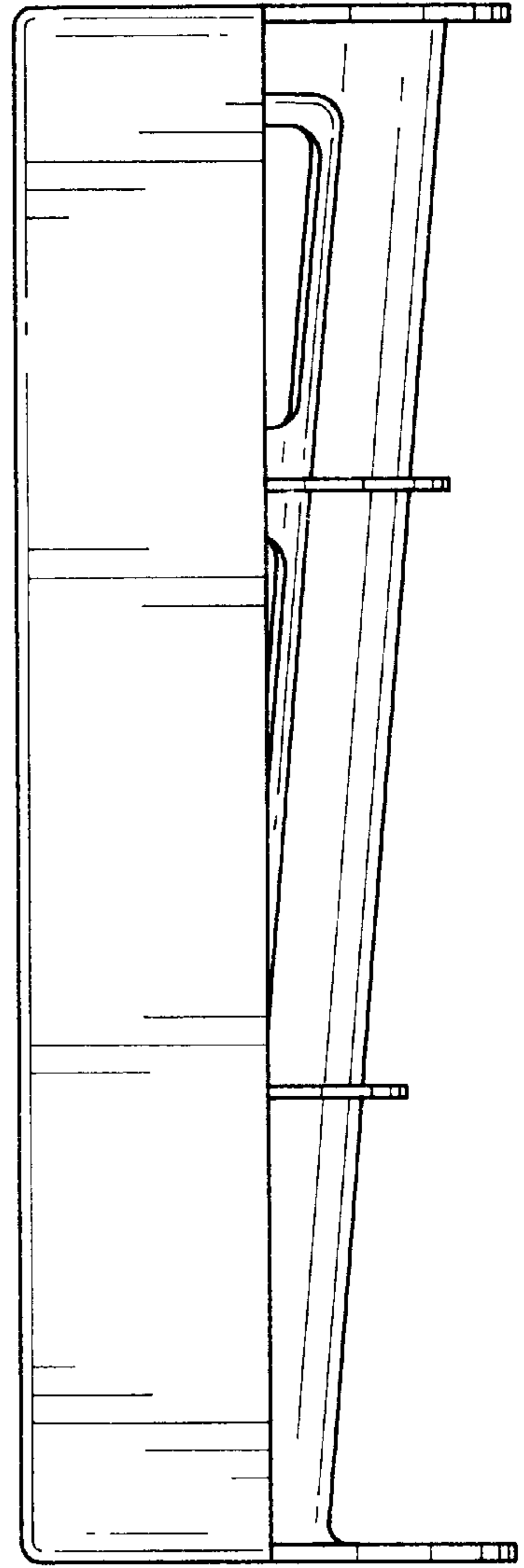


FIG. 5

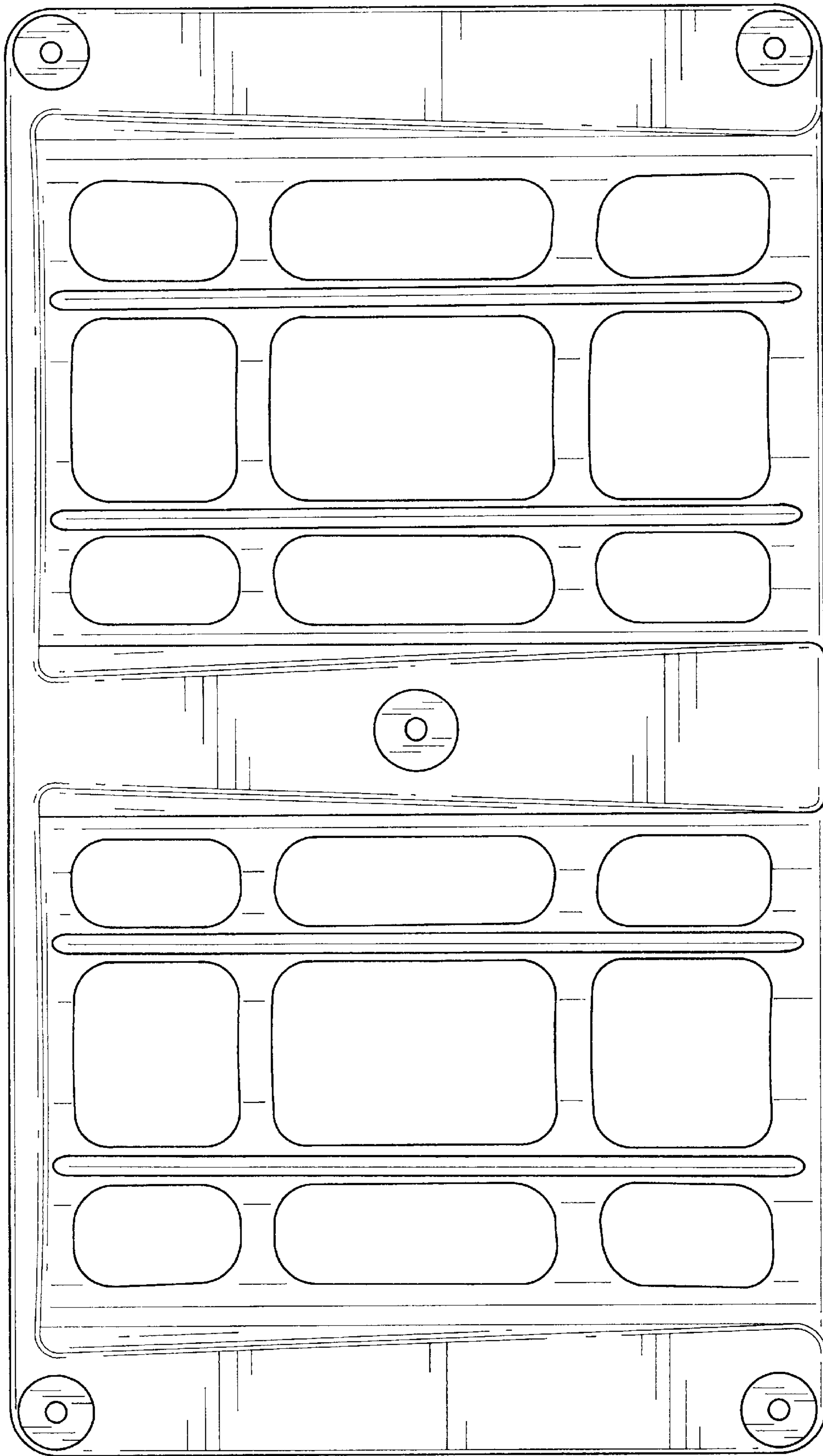


FIG. 6

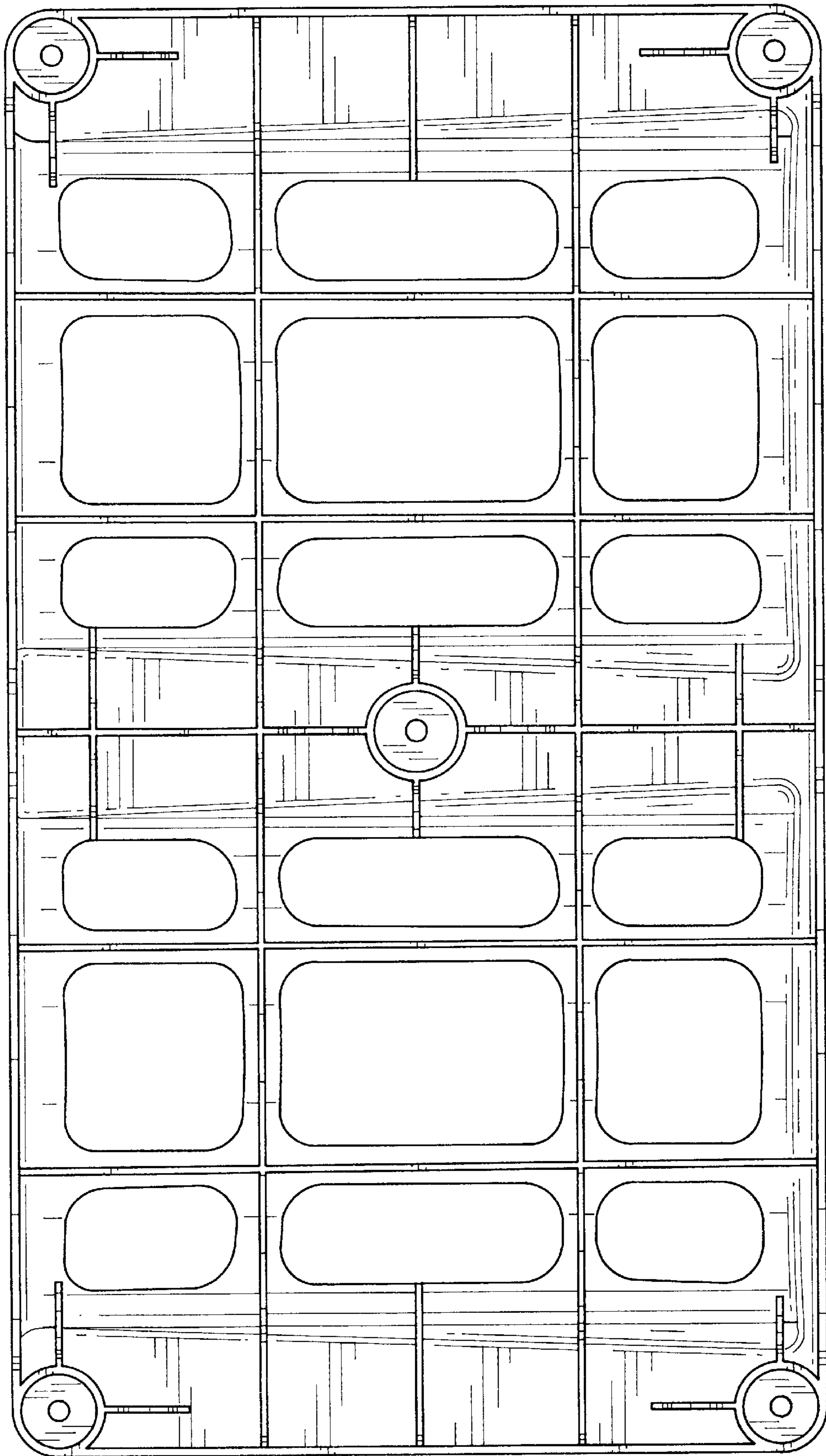


FIG. 7