



US00D431426S

United States Patent [19] Yip

[11] **Patent Number: Des. 431,426**

[45] **Date of Patent: ** Oct. 3, 2000**

[54] **CRANK-OPERATED MILL**

5,156,084 10/1992 Lin 241/169 X
5,722,606 3/1998 Wu 241/169.1

[76] Inventor: **Chung Lun Yip**, Flat A, 16th Floor,
Block 1, King's Park Villa, The Hong
Kong Special Administrative Region of
the People's Republic of China

Primary Examiner—Terry A. Wallace
Attorney, Agent, or Firm—Ladas & Parry

[**] Term: **14 Years**

[57] **CLAIM**

I claim the ornamental design for crank-operated mill,
shown and described.

[21] Appl. No.: **29/108,147**

DESCRIPTION

[22] Filed: **Jul. 20, 1999**

[51] **LOC (7) Cl.** **07-04**

[52] **U.S. Cl.** **D7/679**

[58] **Field of Search** D7/372, 373, 679,
D7/591-597; 222/142.1-142.9; 241/168,
169, 169.1, 285.1

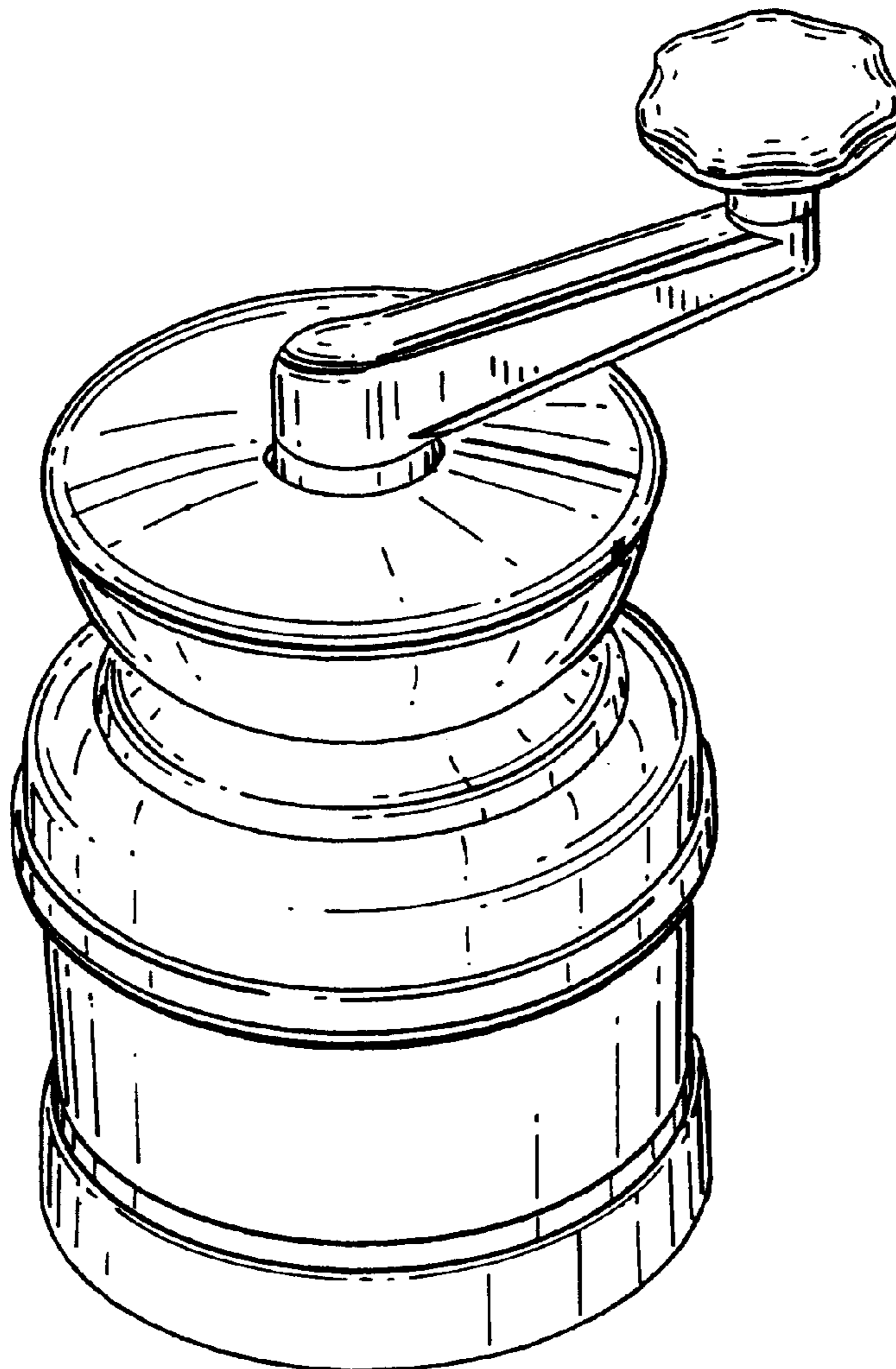
FIG. 1 is a top/front/right-side perspective view of a crank-
operated mill showing my new design;
FIG. 2 is a right-side elevational view thereof, the left-side
elevational view being a mirror image thereof and, therefore,
not shown;
FIG. 3 is a front elevational view thereof;
FIG. 4 is a rear elevational view thereof;
FIG. 5 is a top plan view thereof; and,
FIG. 6 is a bottom plan view thereof.

[56] **References Cited**

U.S. PATENT DOCUMENTS

D. 397,919 9/1998 Chiu D7/679

1 Claim, 5 Drawing Sheets



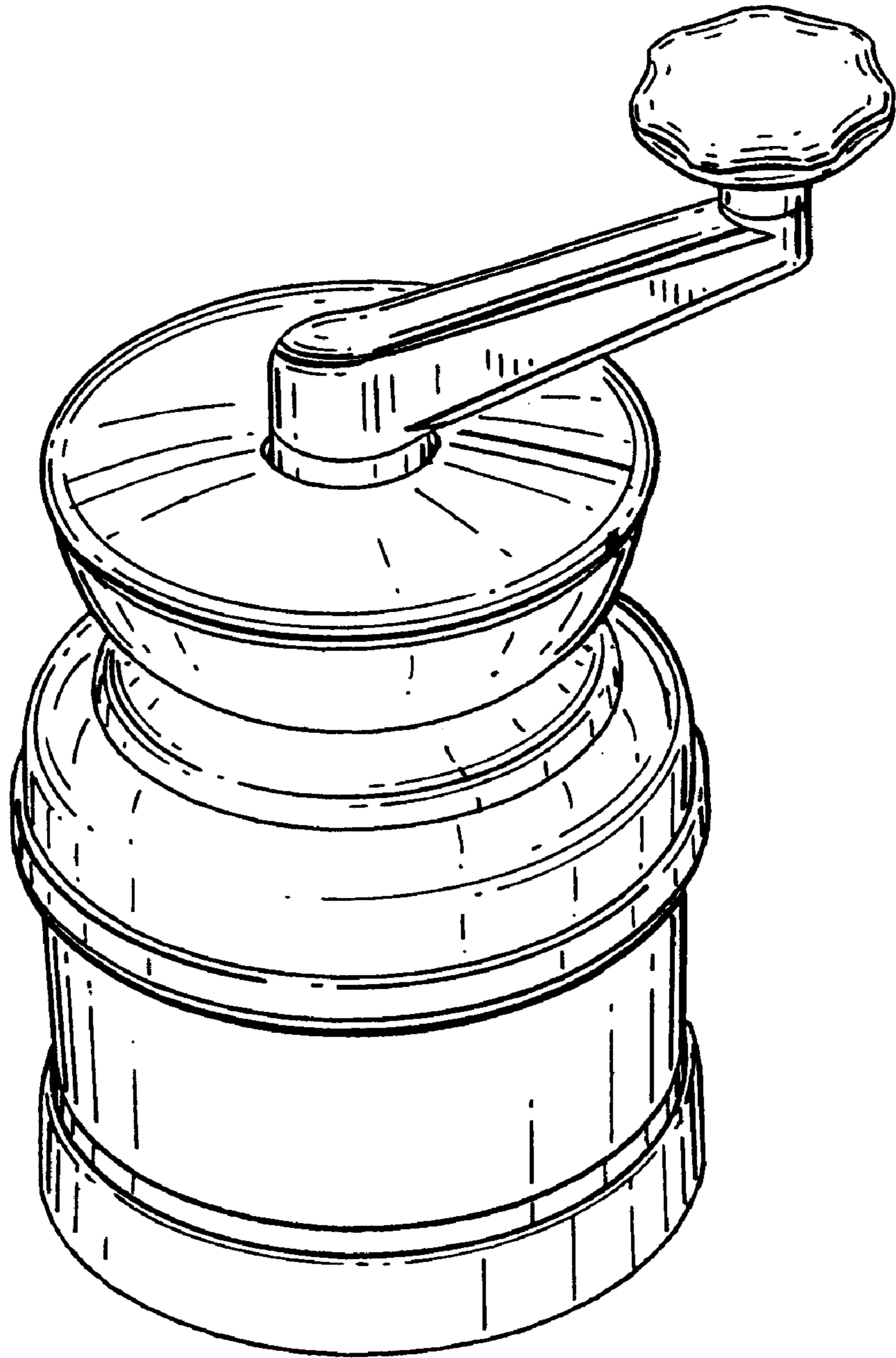


FIG. 1

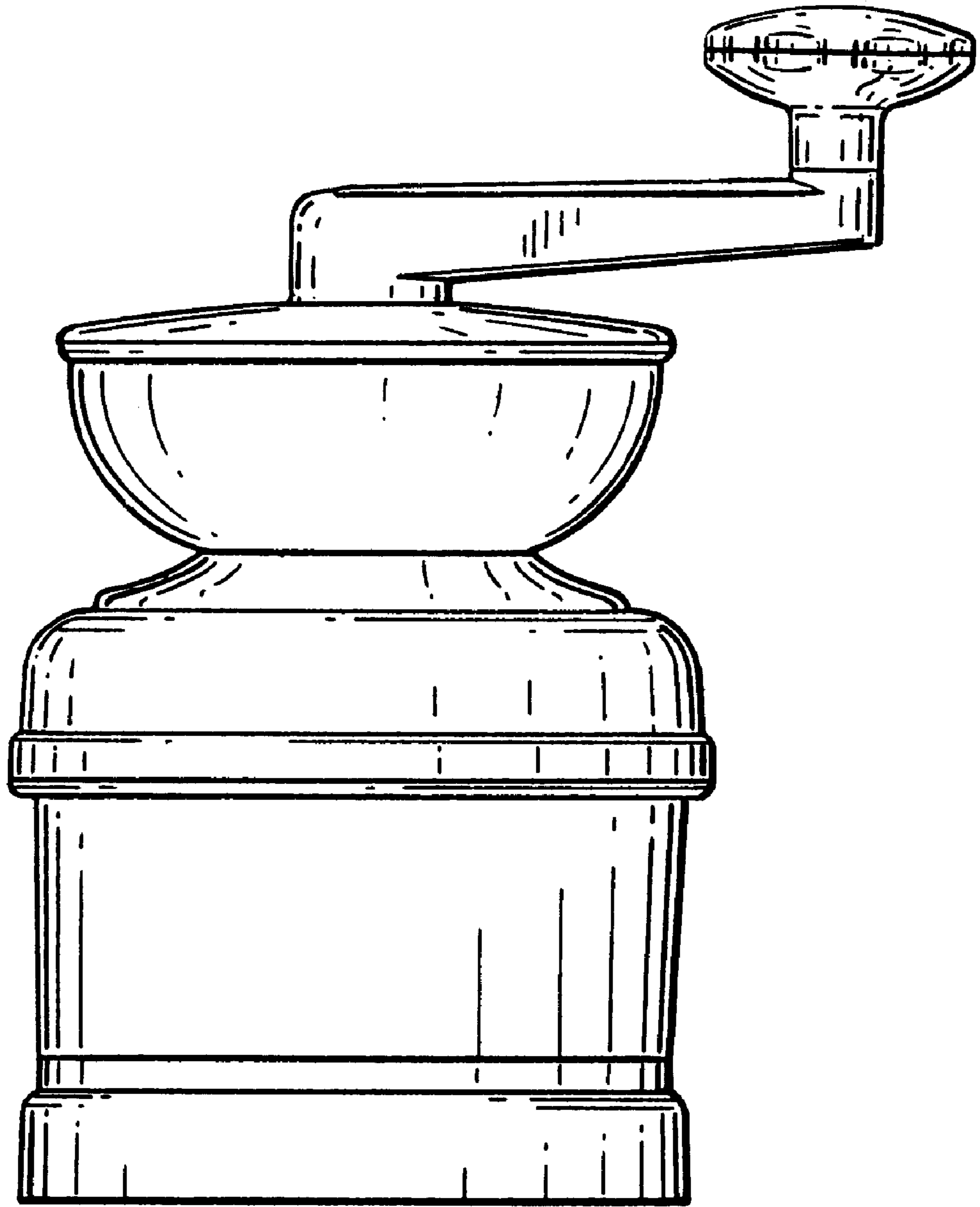


FIG. 2

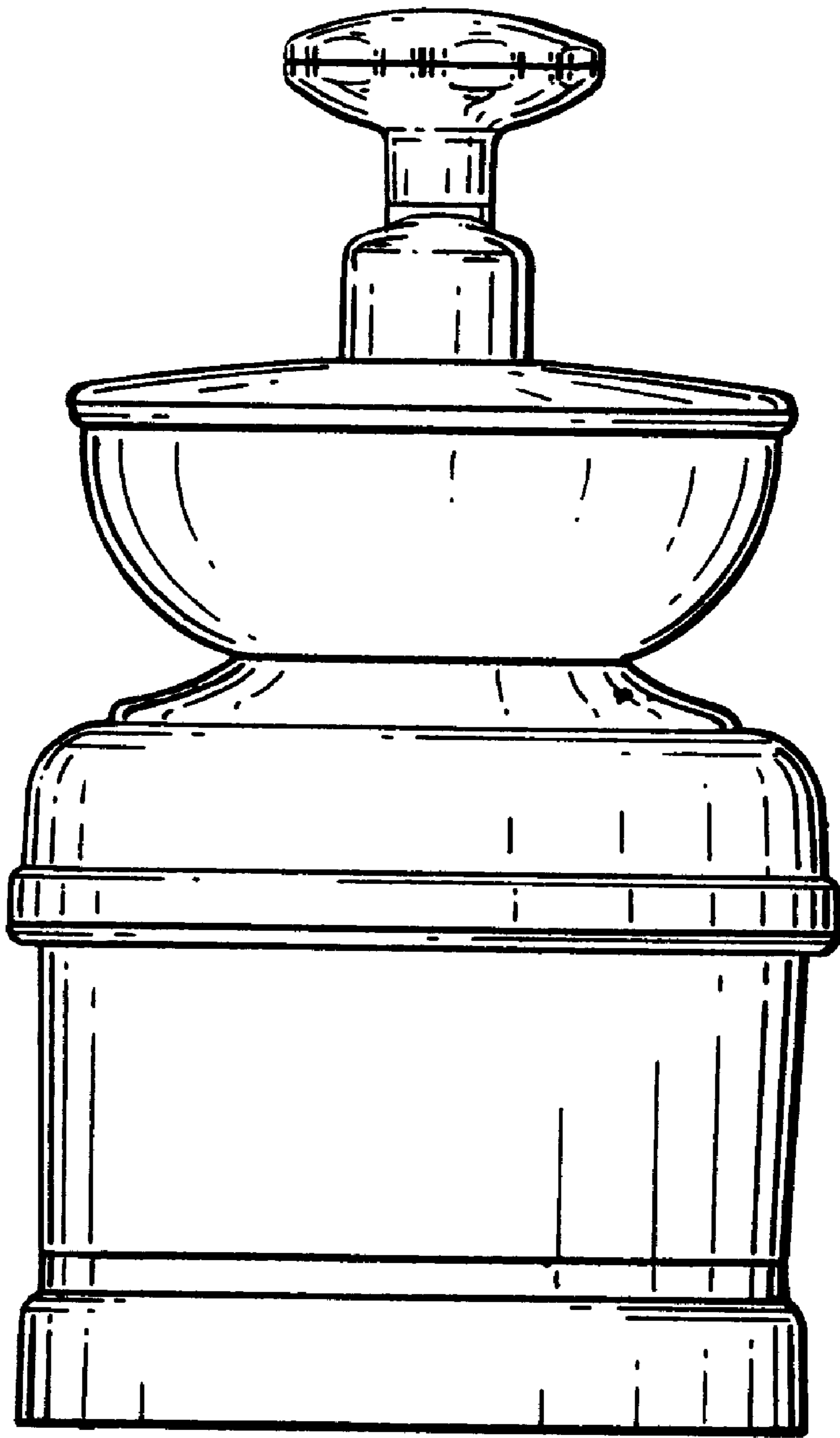


FIG. 3

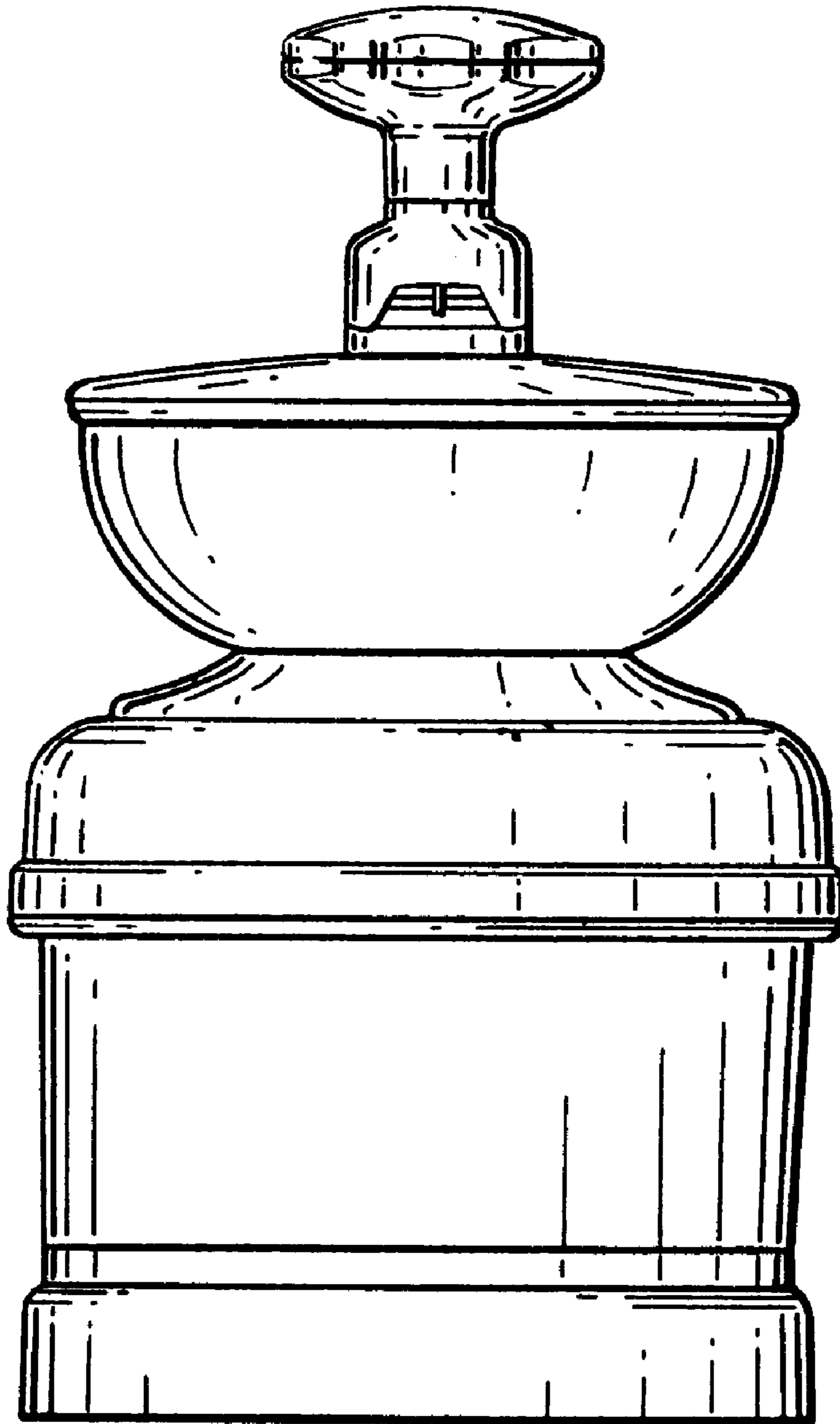


FIG. 4

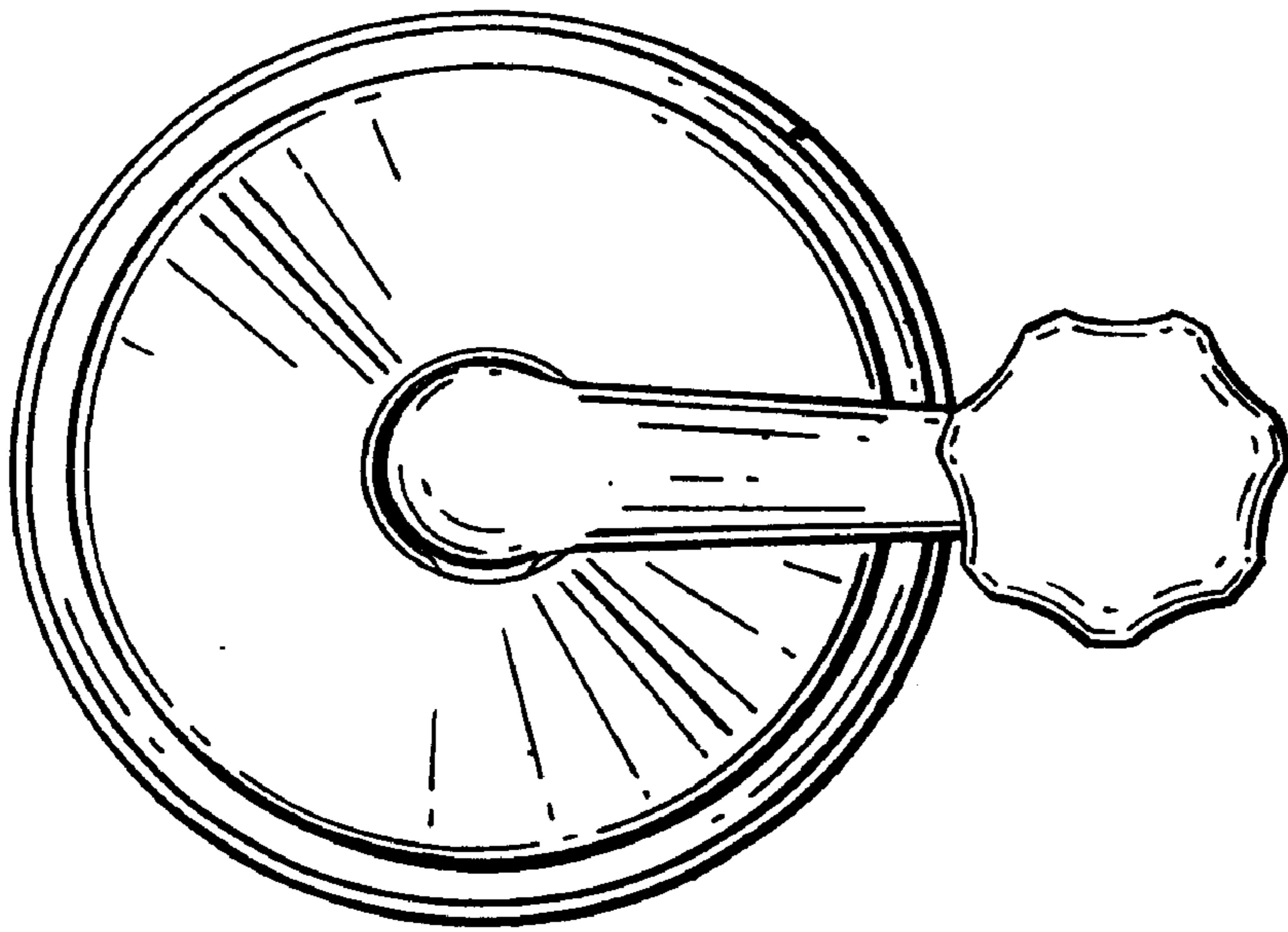


FIG. 5

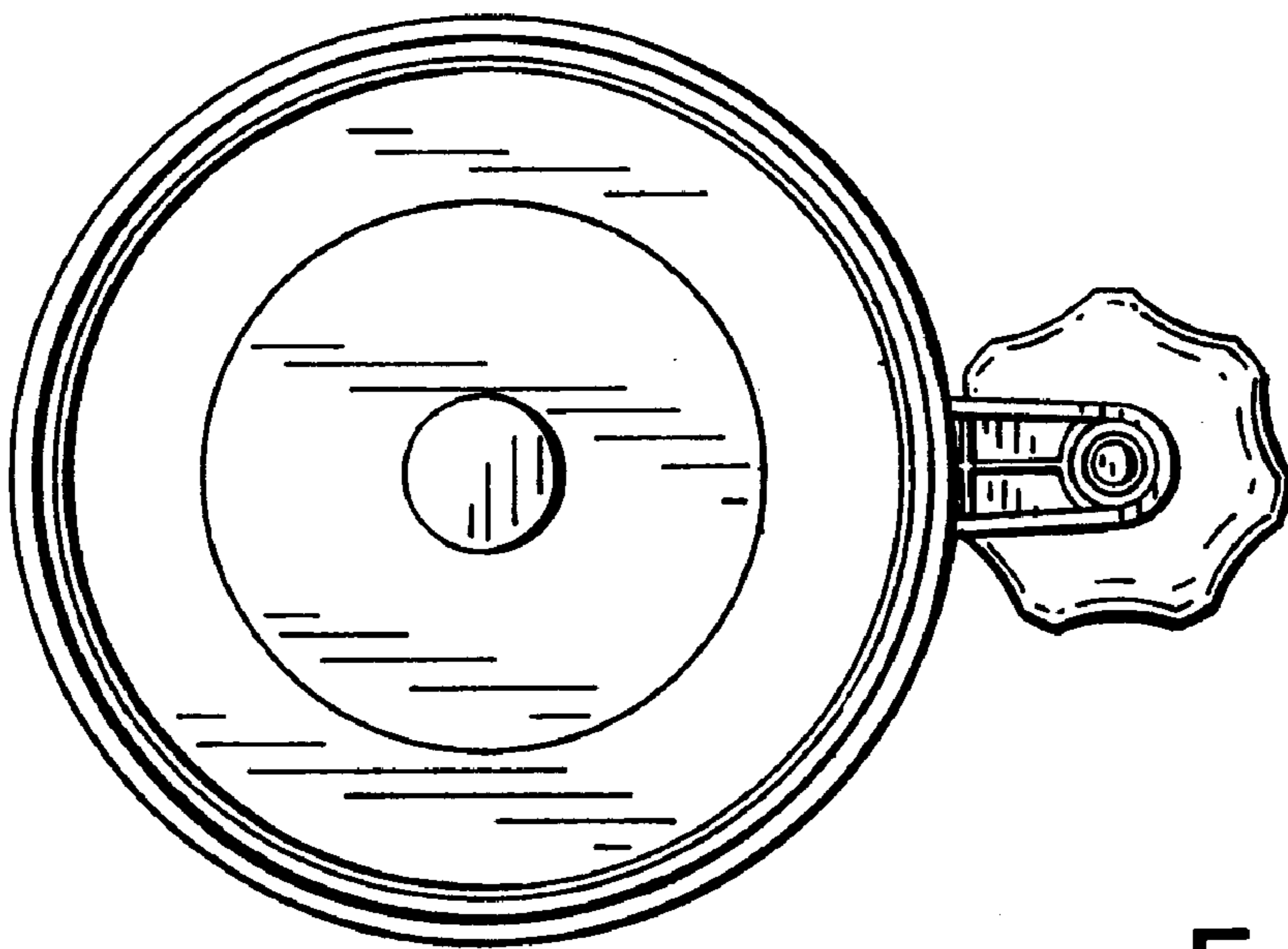


FIG. 6