



US00D431424S

United States Patent [19] Junko

[11] **Patent Number: Des. 431,424**

[45] **Date of Patent: ** Oct. 3, 2000**

[54] **SPOON**

[75] **Inventor: Theodore P. Junko, Manlius, N.Y.**

[73] **Assignee: Oneida Ltd., Oneida, N.Y.**

[**] **Term: 14 Years**

[21] **Appl. No.: 29/115,545**

[22] **Filed: Dec. 16, 1999**

[51] **LOC (7) Cl. 07-03**

[52] **U.S. Cl. D7/653**

[58] **Field of Search D7/401.2, 642,
D7/653, 662-664; 30/147-150, 322, 324**

[56] **References Cited**

U.S. PATENT DOCUMENTS

- D. 100,848 8/1936 Braun D7/653
- D. 101,860 11/1936 Ebeling D7/653

- D. 151,741 11/1948 Conroy D7/653
- D. 201,301 6/1965 Erenhouse D7/653
- D. 323,957 2/1992 Bouilhet D7/653
- D. 362,160 9/1995 Brabeck et al. D7/645
- D. 391,454 3/1998 Iacovelli D7/653

Primary Examiner—Caron D. Veynar
Attorney, Agent, or Firm—Wall Marjama Bilinski & Burr

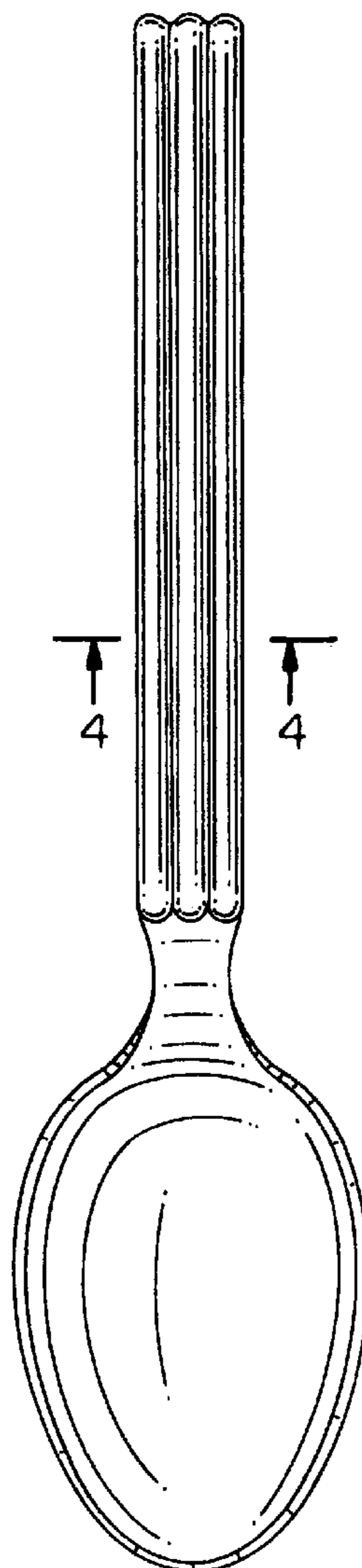
[57] **CLAIM**

The ornamental design for a spoon, as shown and described.

DESCRIPTION

FIG. 1 is a top view of a spoon showing my new Design; FIG. 2 is a right side elevational view thereof; the left side view being a mirror image thereof; FIG. 3 is a bottom plan view thereof; and, FIG. 4 is a cross-section view taken along line 4—4 of FIG. 1.

1 Claim, 1 Drawing Sheet



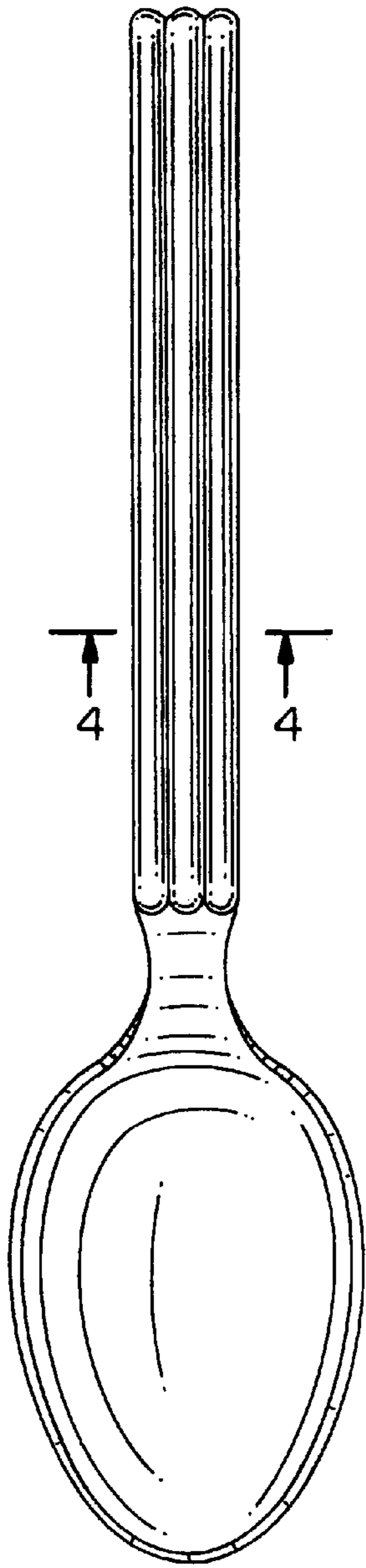


FIG. 1

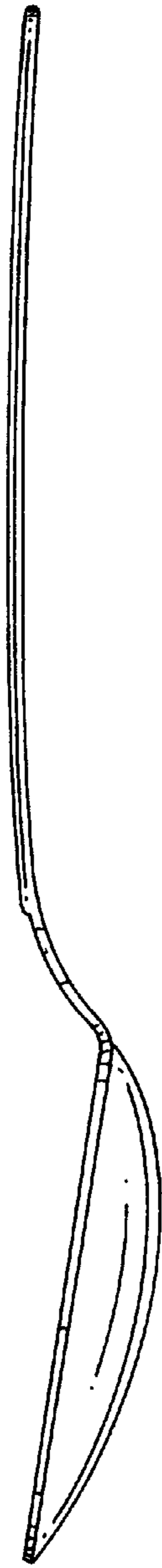


FIG. 2

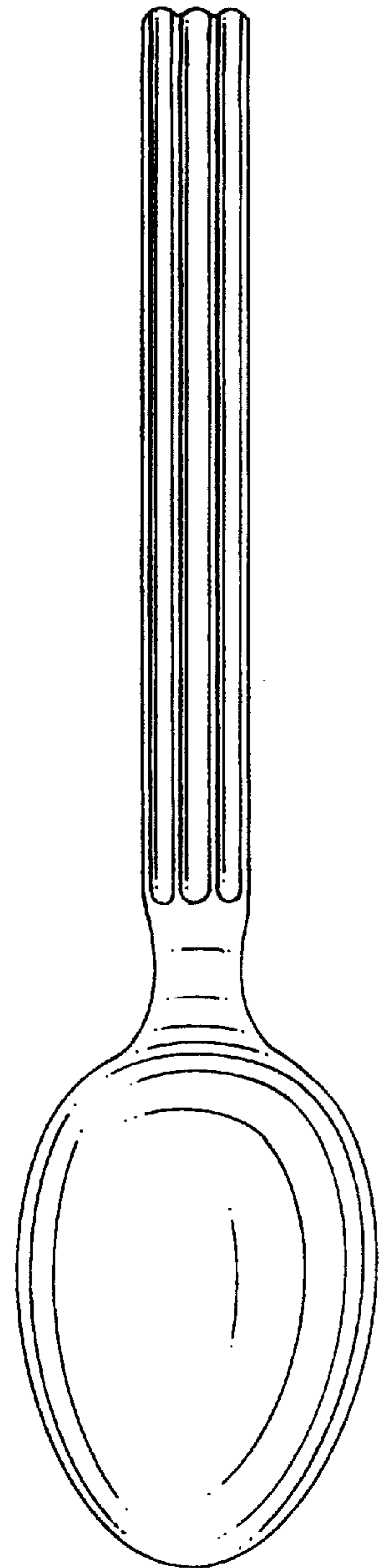


FIG. 3



FIG. 4