



US00D431423S

United States Patent [19]

[11] Patent Number: Des. 431,423

Ohm et al.

[45] Date of Patent: ** Oct. 3, 2000

[54] COLLAPSIBLE CUP HOLDER

[75] Inventors: Patrick L. Ohm, Norwalk; Jerome J. Hartmann, Carlisle, both of Iowa; Michael Thuma, Des Plaines, Ill.; Tomas Matusaitis; David Brown, both of Chicago, Ill.

[73] Assignee: Cobbs Manufacturing Company, Des Moines, Iowa

[**] Term: 14 Years

[21] Appl. No.: 29/107,885

[22] Filed: Jul. 15, 1999

[51] LOC (7) Cl. 07-06

[52] U.S. Cl. D7/620

[58] Field of Search D7/619-625; D12/419, D12/420; 211/71.01, 74; 224/926, 542, 539, 42.44, 42.43; 220/737; 215/395, 399; 248/311.2, 309.1, 313

[56] References Cited

U.S. PATENT DOCUMENTS

D. 35,245	10/1901	Hooper .	
D. 306,544	3/1990	Anderson	D7/620
D. 355,337	2/1995	Eisenbraun et al.	D7/620
711,970	10/1902	Hooper .	
2,215,411	9/1940	Sebring	248/313
3,491,976	1/1970	Larson	248/346.1
4,799,638	1/1989	Allen	248/311.2
4,948,080	8/1990	Jack	248/311.2
4,969,618	11/1990	Thompson	248/152
5,135,195	8/1992	Dane	248/311.2
5,149,032	9/1992	Jones et al.	248/154
5,154,380	10/1992	Risca	248/154
5,203,531	4/1993	Gracon	248/311.3

5,398,898	3/1995	Bever	248/311.2
5,533,700	7/1996	Porter	248/311.2
5,560,578	10/1996	Schenken et al.	248/313
5,573,214	11/1996	Jones et al.	248/311.2
5,833,194	11/1998	Jones et al.	248/311.2

FOREIGN PATENT DOCUMENTS

538792	11/1931	Germany	34/21
--------	---------	---------------	-------

OTHER PUBLICATIONS

Cobbs Lifestyle Accessories, Marketing Brochure, Cobbs Manufacturing Company, 1996, pp. 8 and 9 describing adjustable drink holders.

Cobbs Lifestyle Accessories, Marketing Brochure, Cobbs Manufacturing Company, 1997, p. 7 describing adjustable drink holders.

Primary Examiner—Terry A. Wallace
Attorney, Agent, or Firm—Dick and Harris

[57] CLAIM

The ornamental design for a collapsible cup holder, as shown and described.

DESCRIPTION

FIG. 1 is a perspective view of the collapsible cup holder showing a new ornamental design therefor; FIG. 2 is a perspective view of the collapsible cup holder in an alternative open orientation; FIG. 3 is a front elevational view of the collapsible cup holder shown in FIG. 1; FIG. 4 is a rear elevational view thereof; FIG. 5 is a right side elevational view thereof; FIG. 6 is a left side elevational view thereof; FIG. 7 is a top plan view thereof; and FIG. 8 is a bottom plan view thereof.

1 Claim, 3 Drawing Sheets

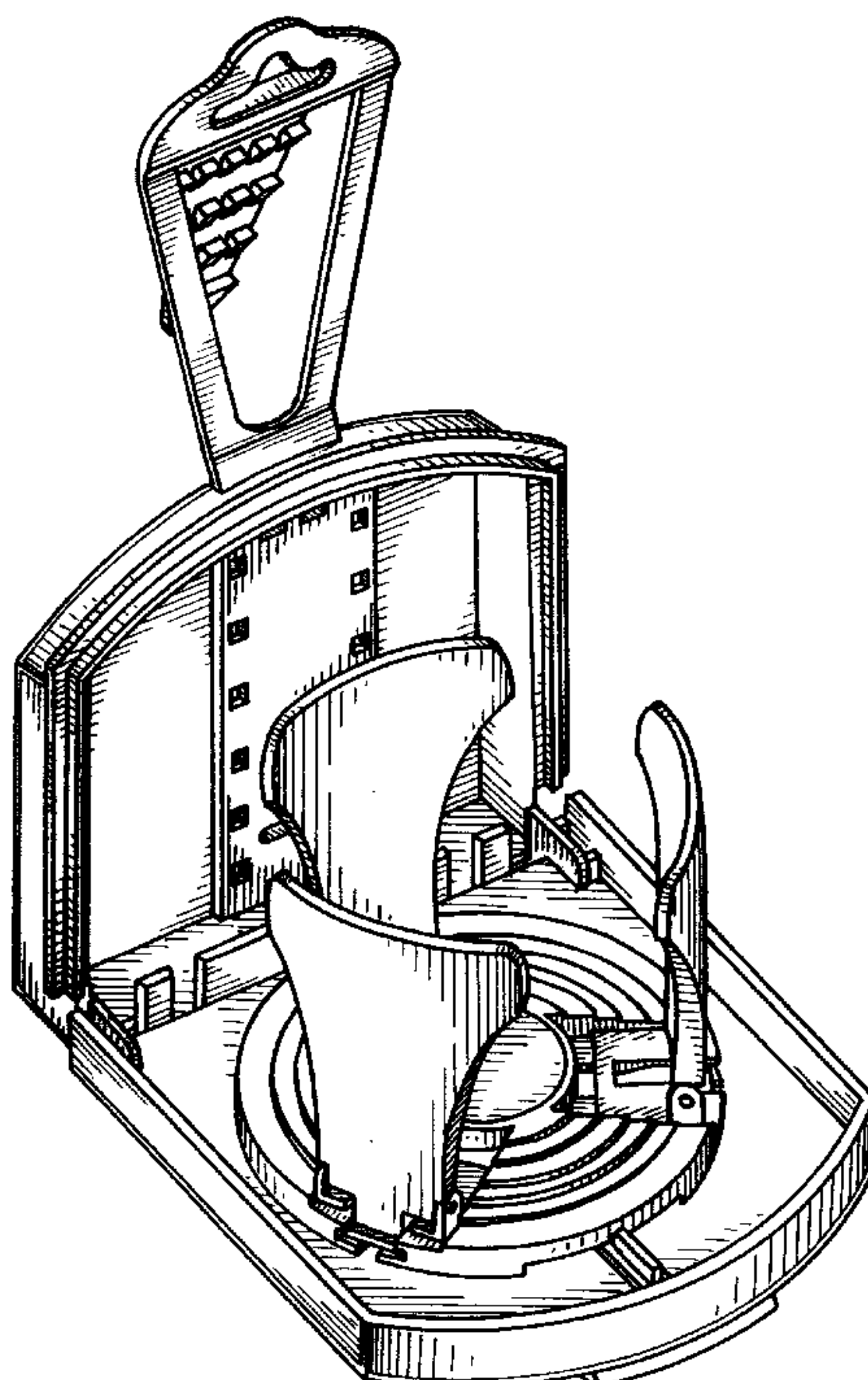


Fig 1

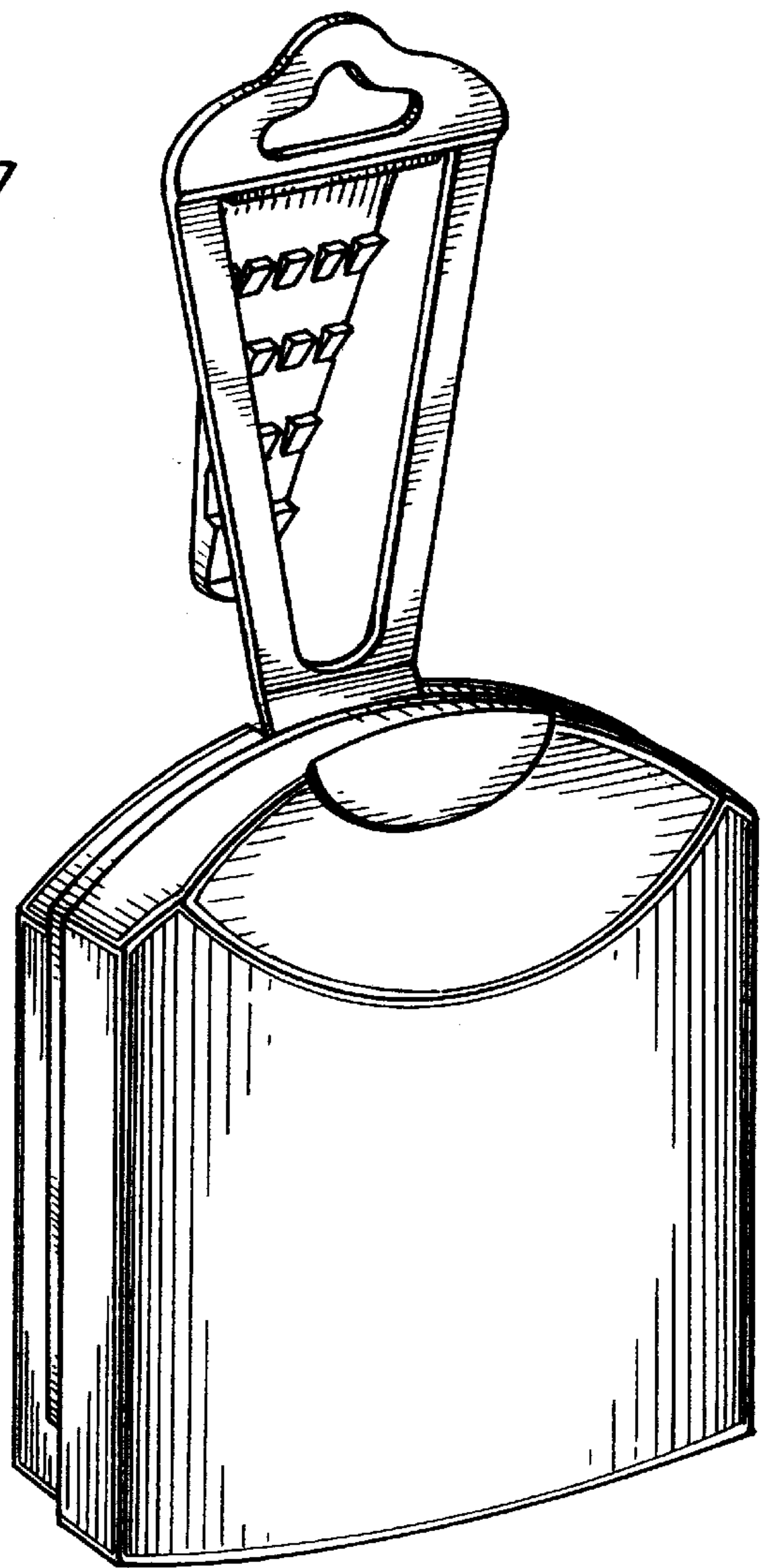


Fig 2

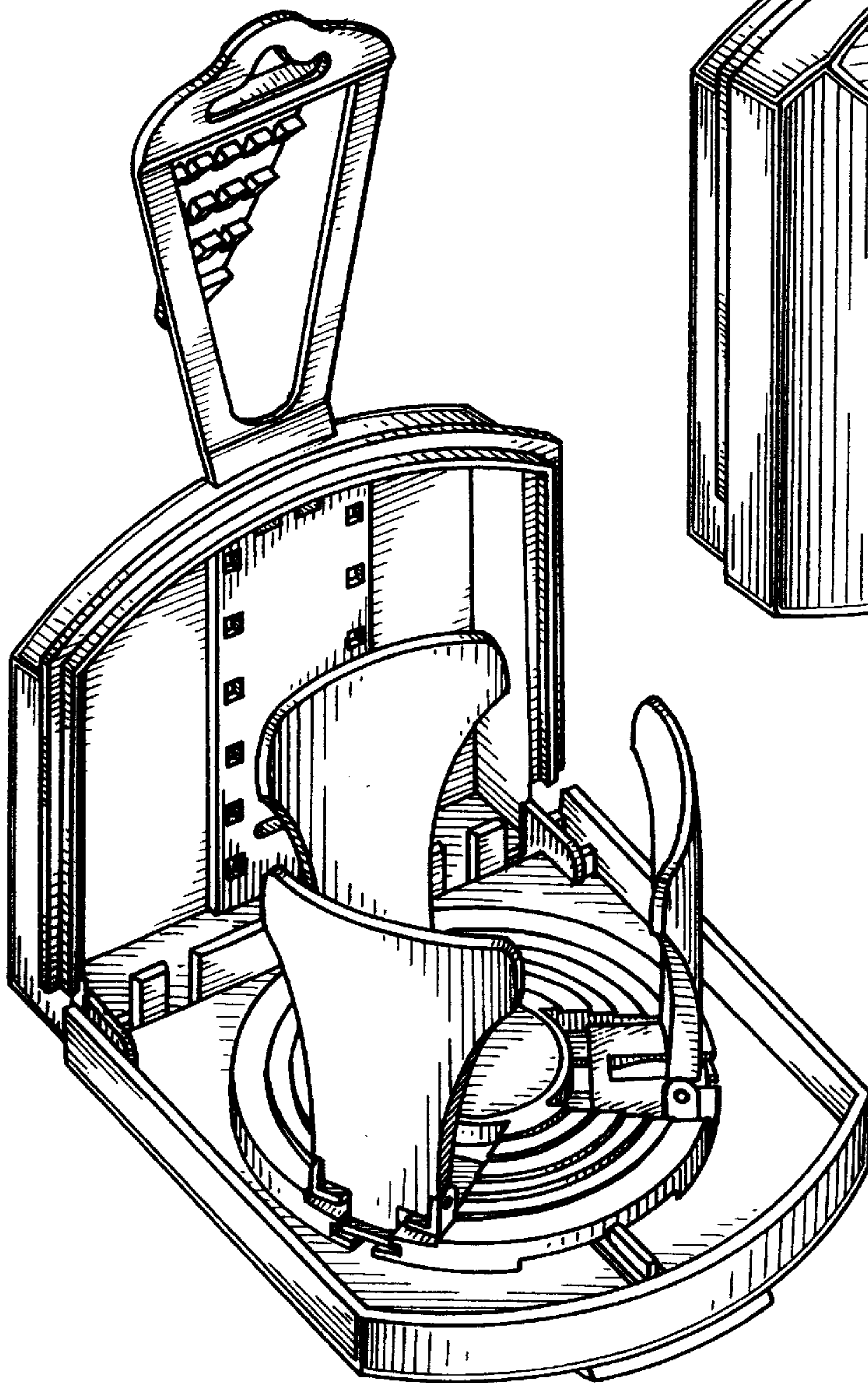


Fig 4

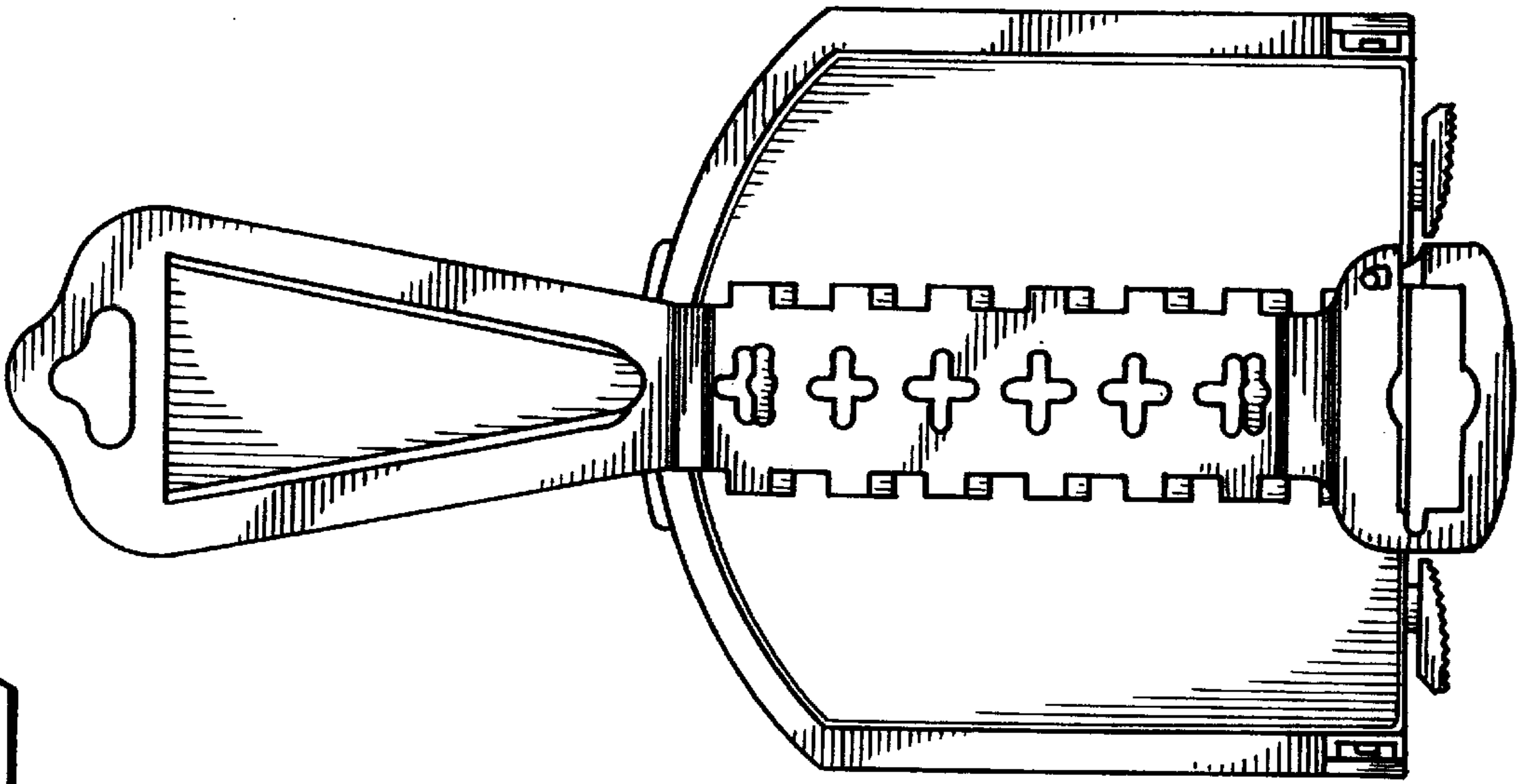


Fig 3

