



US00D431419S

**United States Patent** [19]  
**Greene**

[11] **Patent Number: Des. 431,419**  
[45] **Date of Patent: \*\* Oct. 3, 2000**

[54] **RIMMED BOWL**

[75] Inventor: **Michael Wayne Greene**, Incline Village, Nev.

[73] Assignee: **Euro United Corporation**, Oakville, Canada

[\*\*] Term: **14 Years**

[21] Appl. No.: **29/101,543**

[22] Filed: **Mar. 5, 1999**

[30] **Foreign Application Priority Data**

Jan. 22, 1999 [CA] Canada ..... 99-0204

[51] **LOC (7) Cl.** ..... **07-01**

[52] **U.S. Cl.** ..... **D7/538**

[58] **Field of Search** ..... D7/500, 500.1, D7/546, 586, 588, 554.3, 540, 558, 554.4, 554.2, 397, 392.1, 555, 566, 601, 602, 641; D9/414, 428, 431; 206/508, 511, 562, 538, 561, 564; 220/574, 575, 556, 23.6, 23.8, 23.83, 212, 605, 628, 675

[56] **References Cited**

**U.S. PATENT DOCUMENTS**

D. 299,106 12/1988 Pomroy ..... D7/543  
5,860,527 1/1999 Frankenberg et al. .... 220/574

*Primary Examiner*—Antoine Duval Davis  
*Attorney, Agent, or Firm*—Barrigar & Moss

[57] **CLAIM**

The ornamental design for a rimmed bowl, as shown and described.

**DESCRIPTION**

FIG. 1 is a perspective view of a first variant of the design;

FIG. 2 is a front view of the first variant of the design;

FIG. 3 is a right side view of the first variant of the design, the left side being identical in appearance to the right side;

FIG. 4 is a top view of the first variant of the design;

FIG. 5 is a bottom view of the first variant of the design;

FIG. 6 is a perspective view of a second variant of the design;

FIG. 7 is a front view of the second variant of the design, the back being identical in appearance to the front;

FIG. 8 is a left side view of the second variant of the design, the right side being identical in appearance to the left;

FIG. 9 is a top view of the second variant of the design;

FIG. 10 is a bottom view of the second variant of the design;

FIG. 11 is a perspective view of a third variant of the design;

FIG. 12 is a front view of the third variant of the design;

FIG. 13 is a right side view of the third variant of the design, the left side being identical in appearance to the right side;

FIG. 14 is a top view of the third variant of the design;

FIG. 15 is a bottom view of the third variant of the design;

FIG. 16 is a perspective view of a fourth variant of the design;

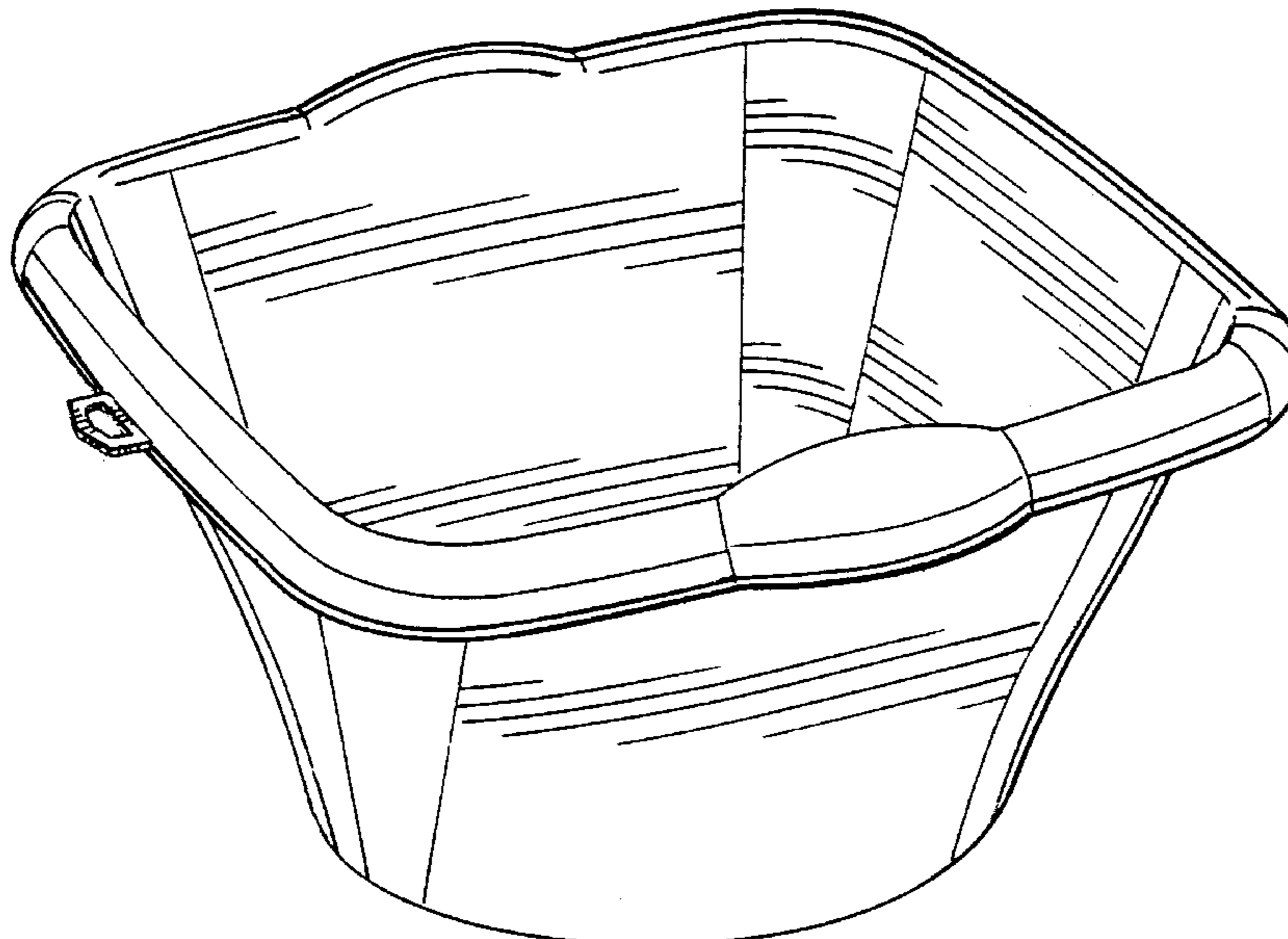
FIG. 17 is a front view of the fourth variant of the design, the back view being identical in appearance to the front view;

FIG. 18 is a right side view of the fourth variant of the design, the left side being identical in appearance to the right side;

FIG. 19 is a top view of the fourth variant of the design; and,

FIG. 20 is a bottom view of the fourth variant of the design.

**1 Claim, 12 Drawing Sheets**



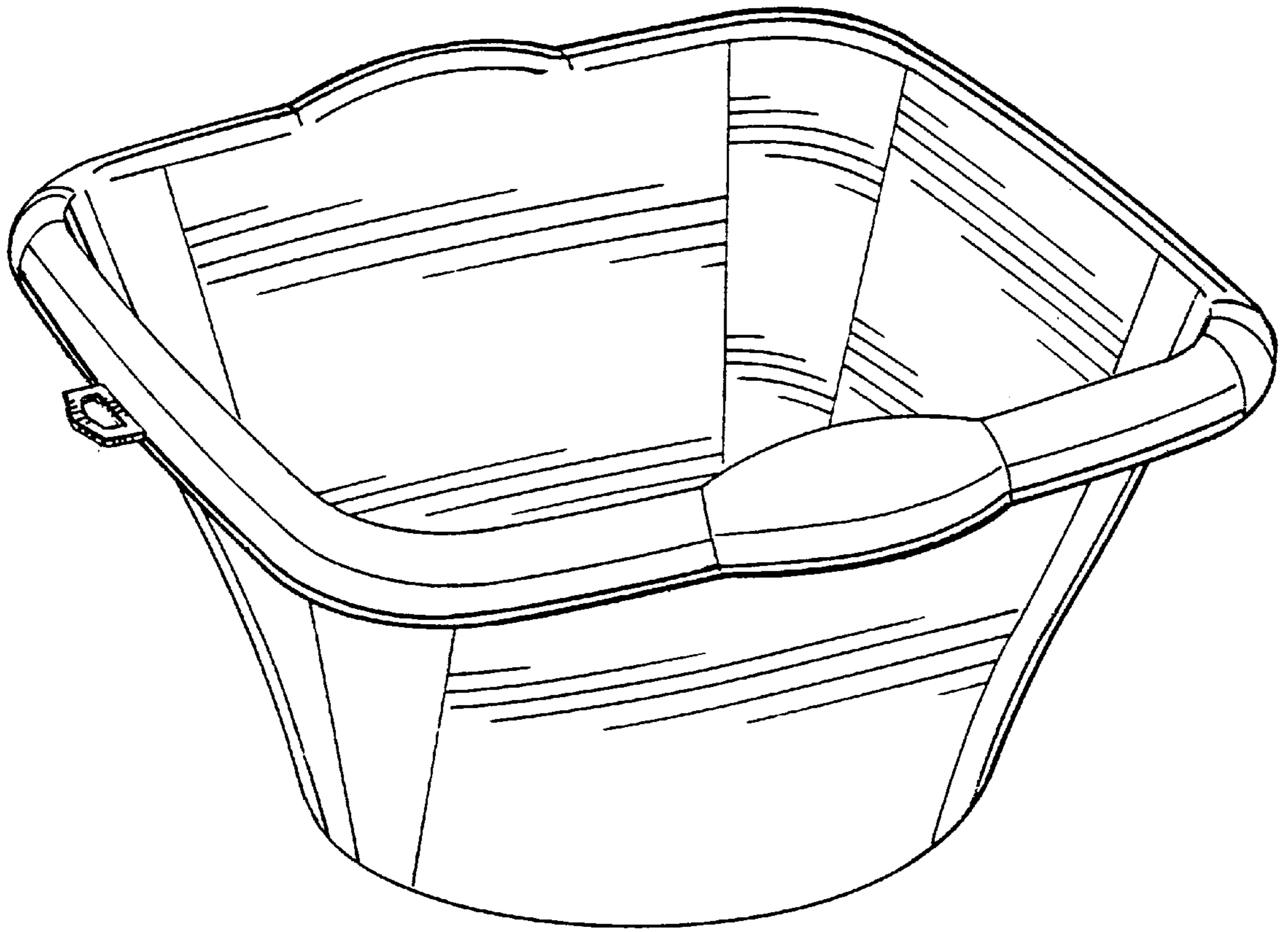


FIG. 1

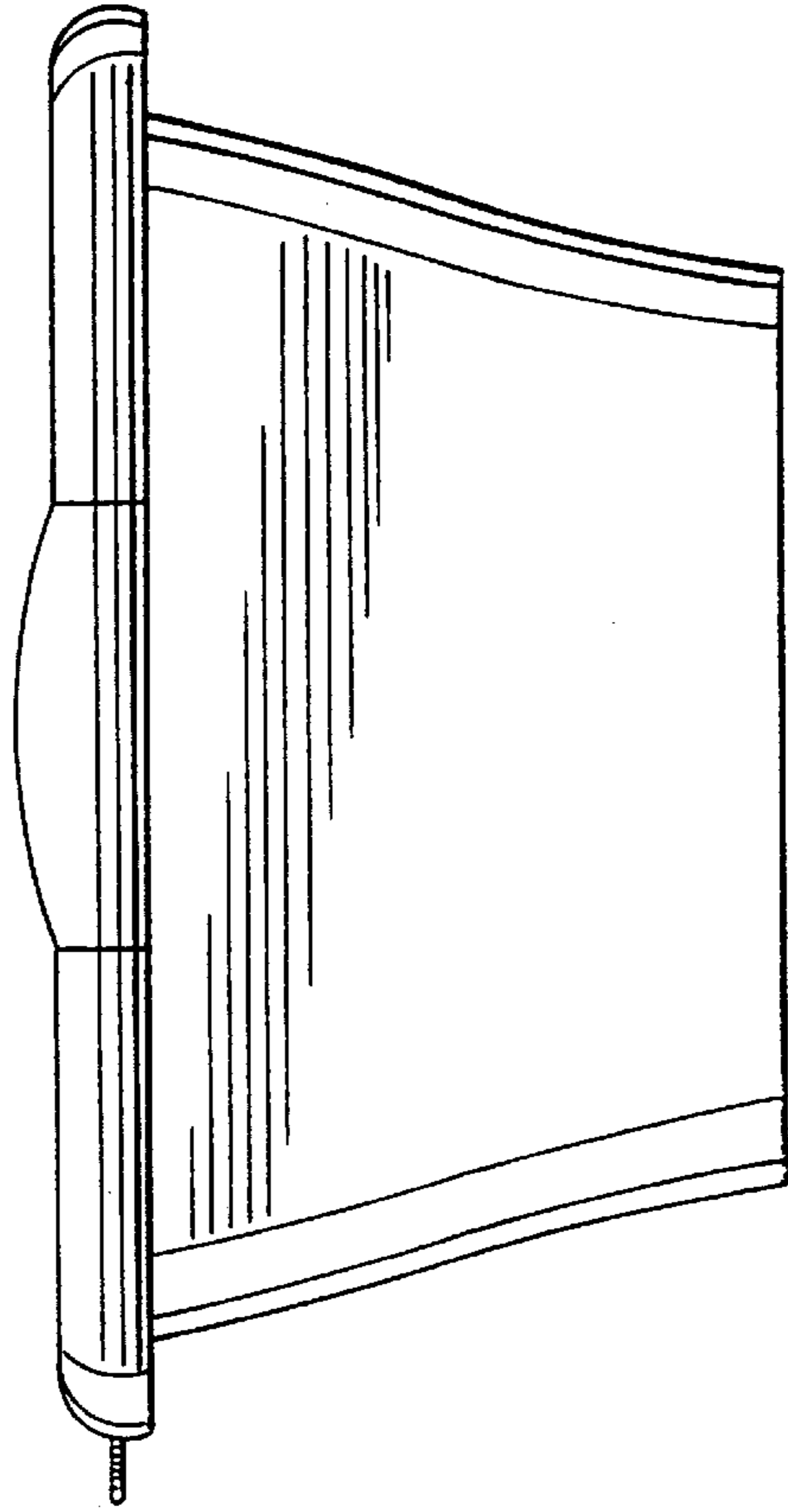


FIG. 3

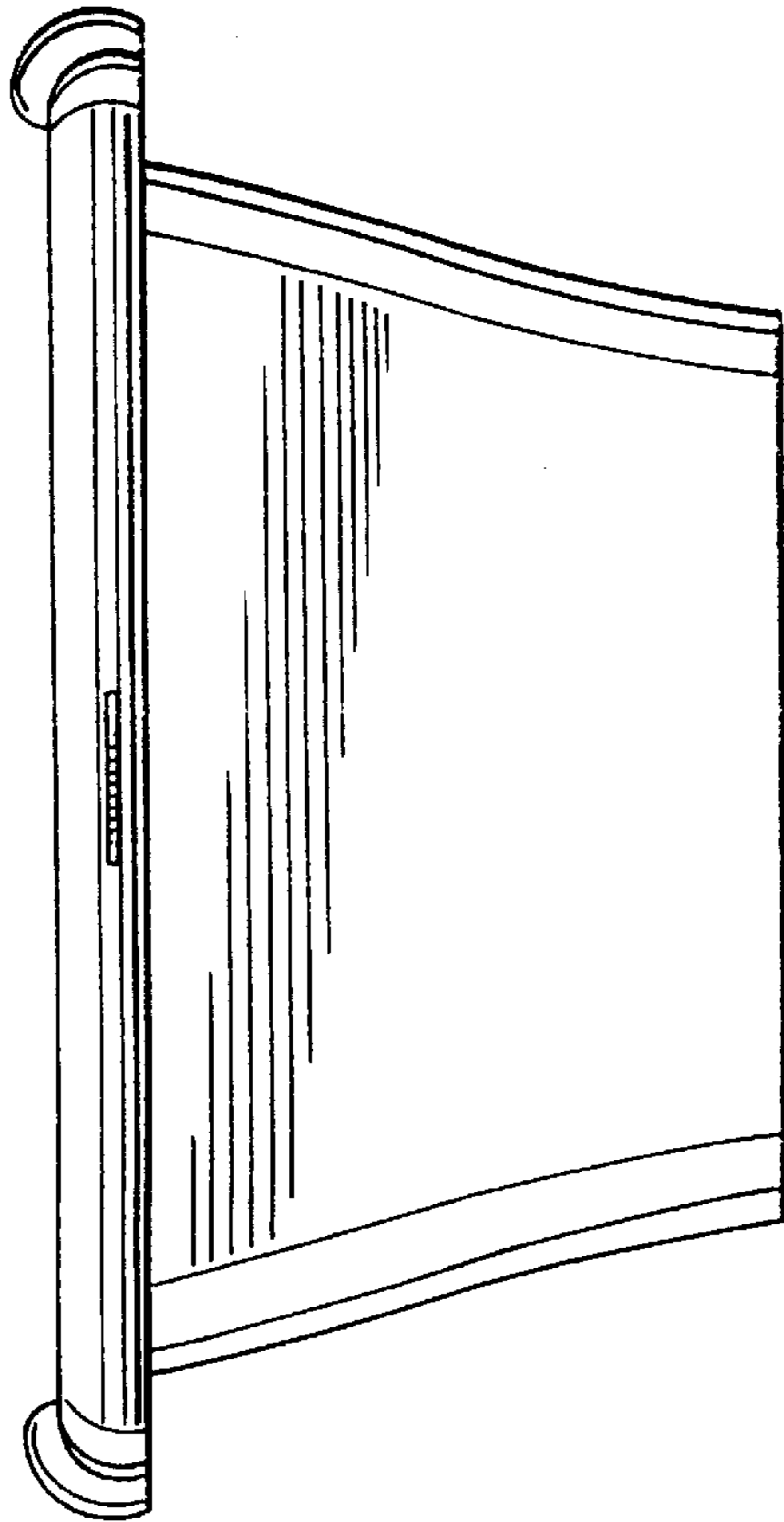


FIG. 2

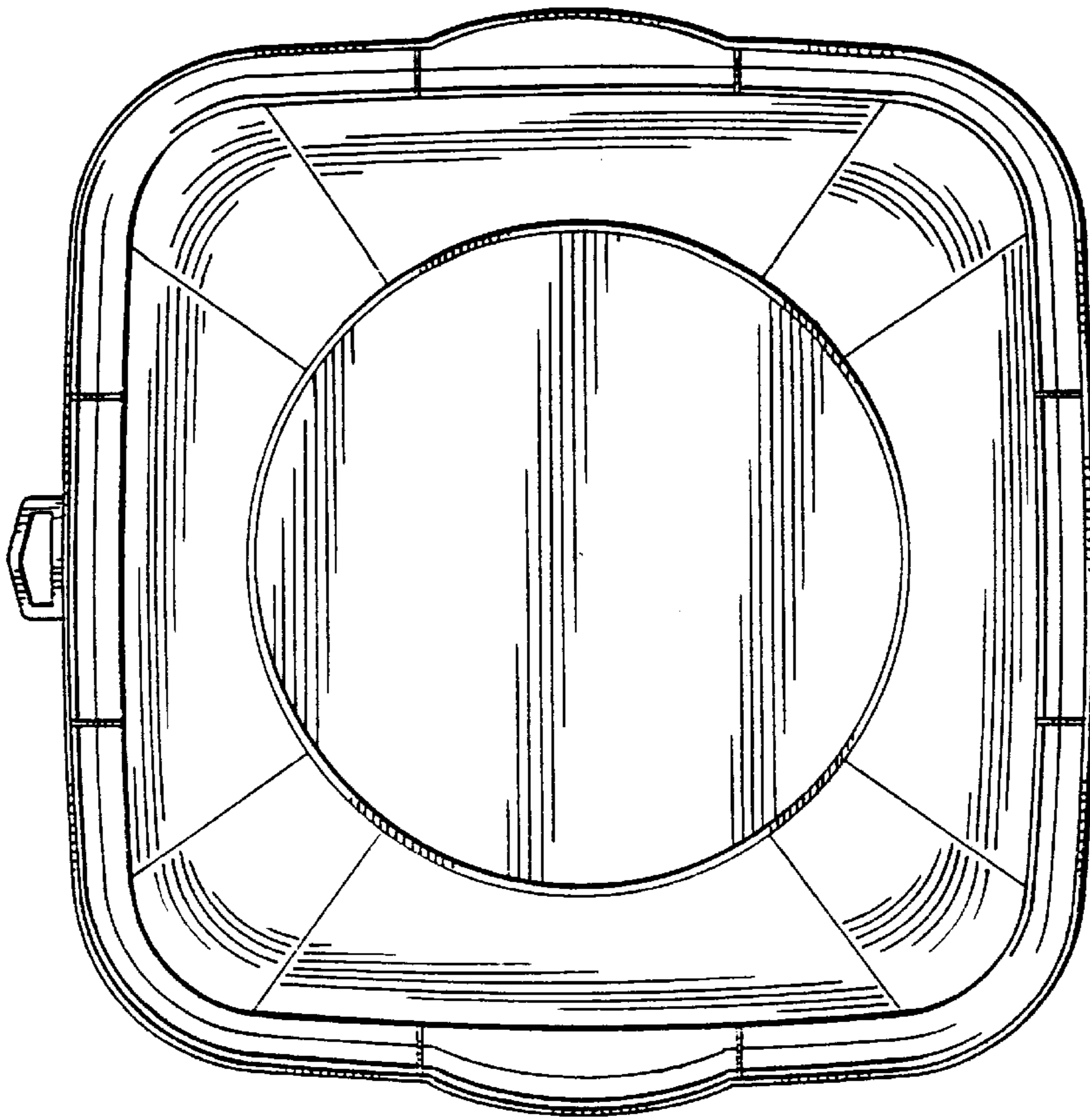


FIG. 5

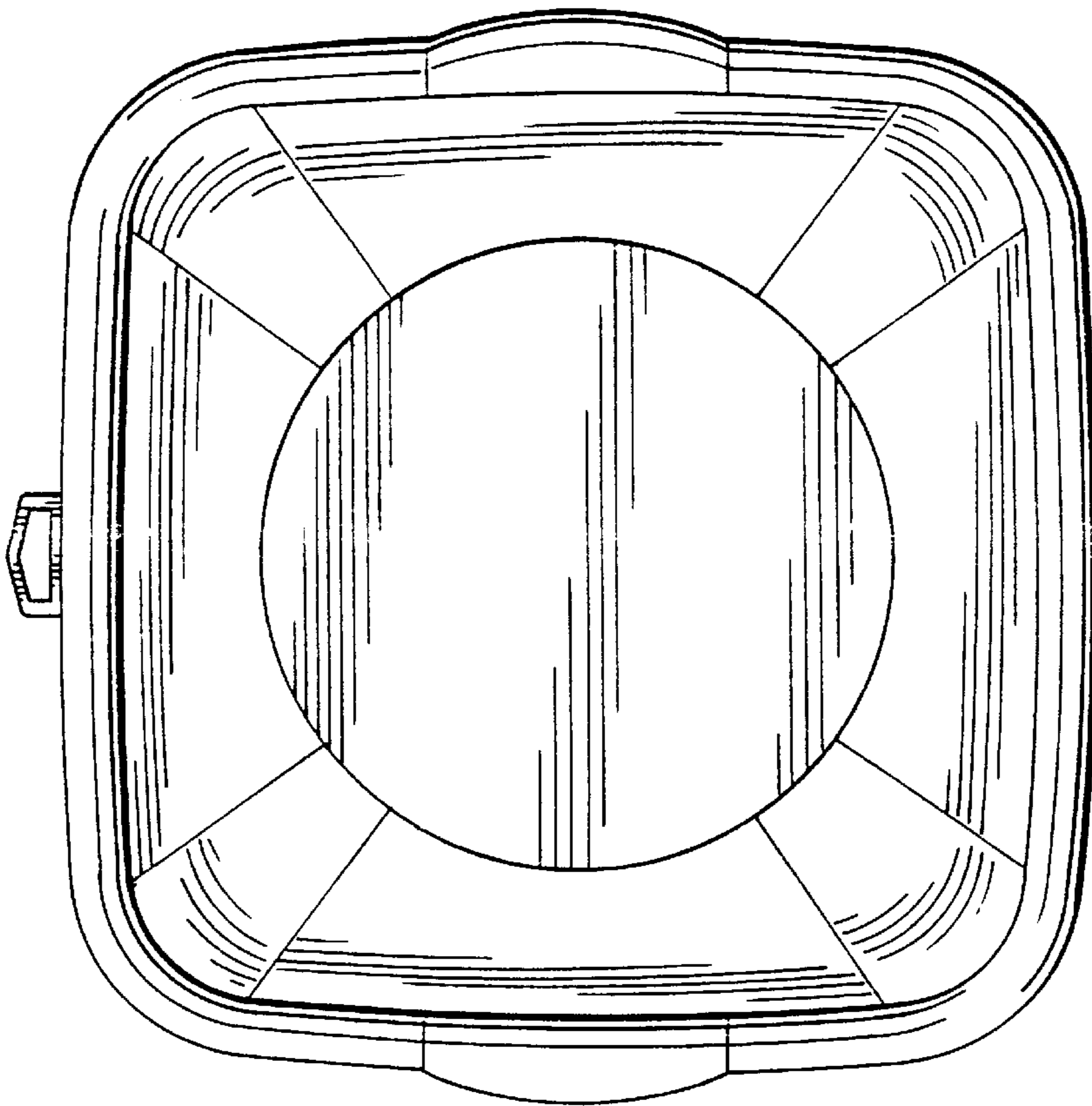


FIG. 4



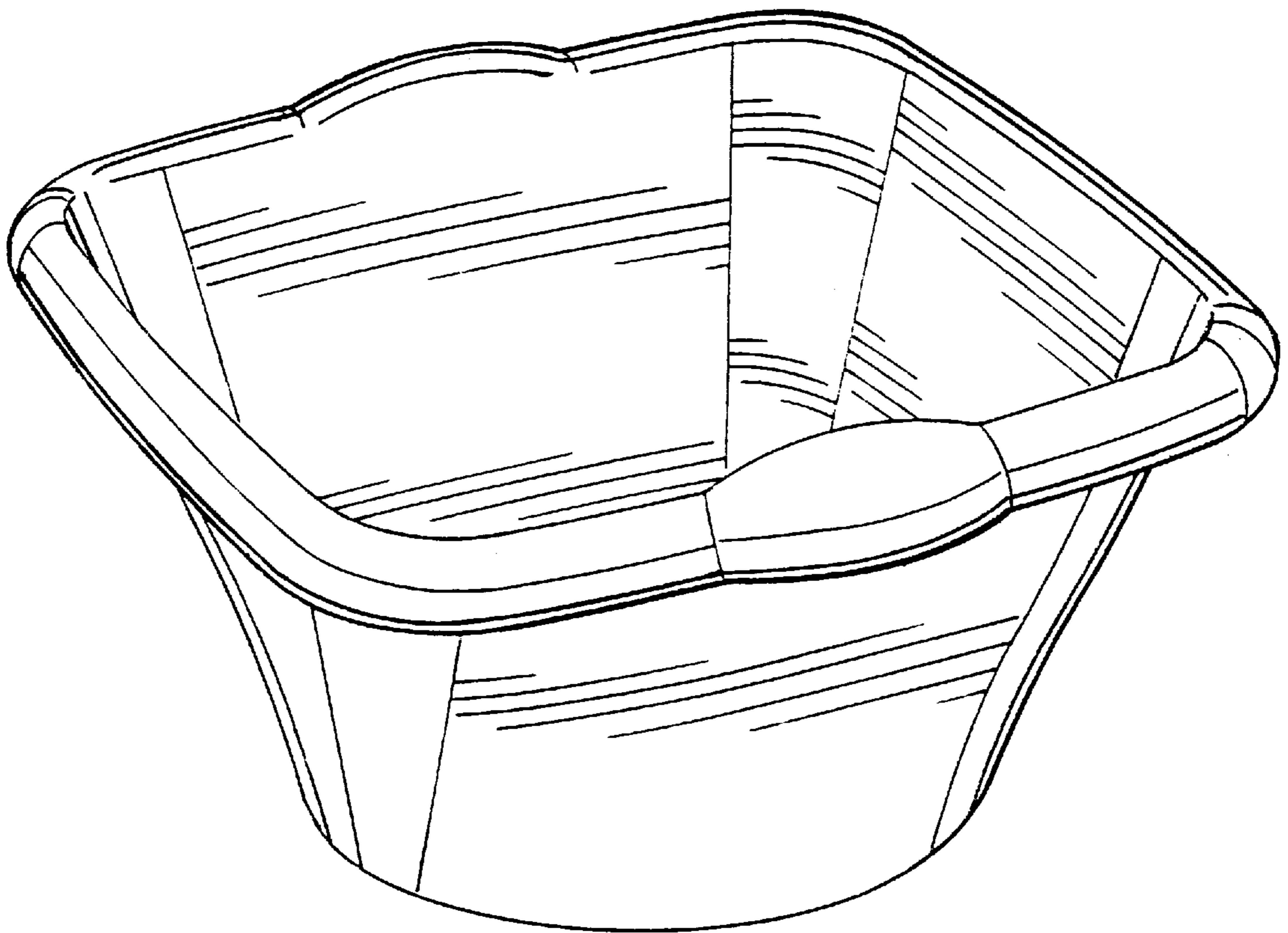


FIG. 6

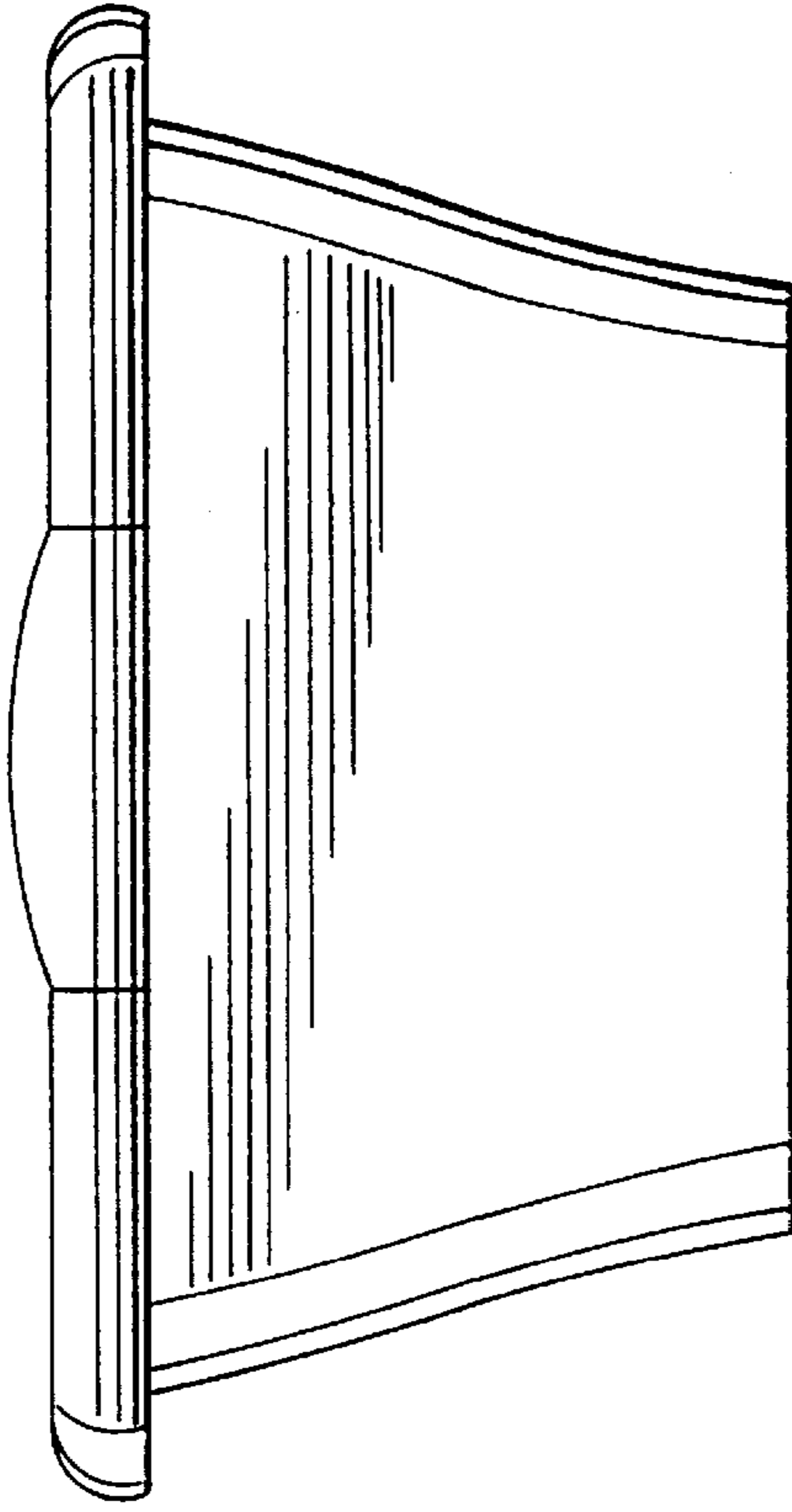


FIG. 8

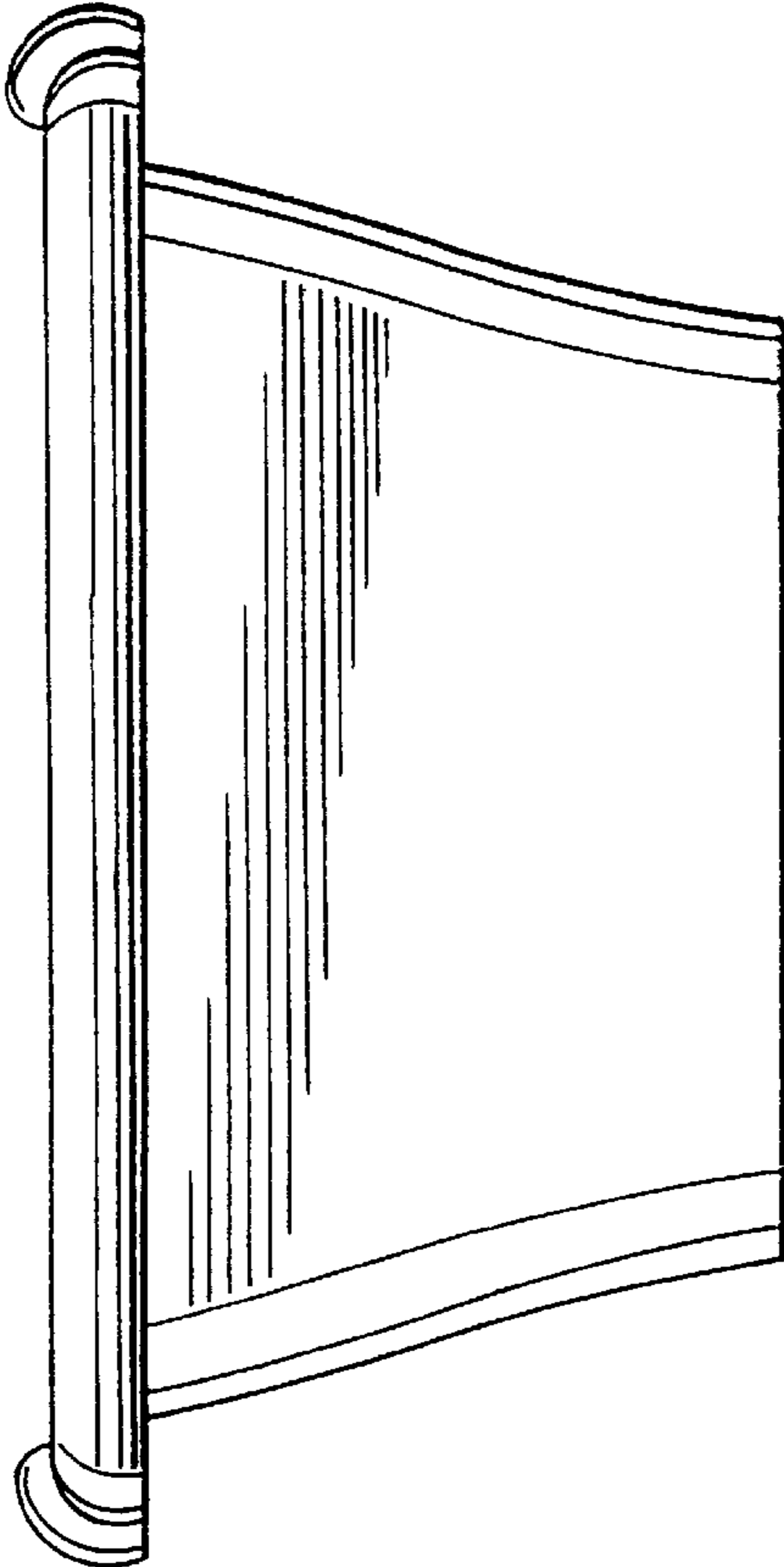


FIG. 7

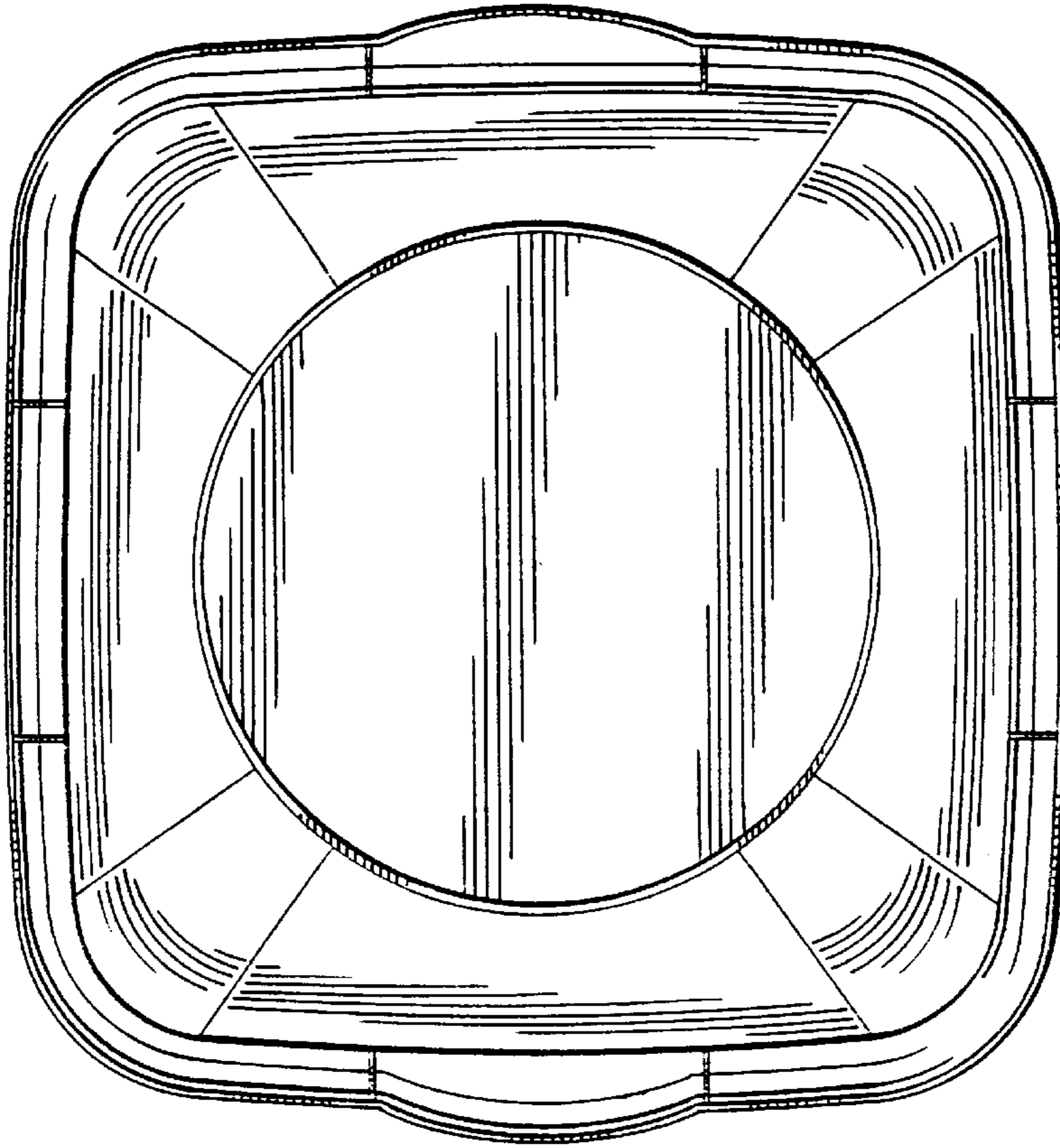


FIG. 10

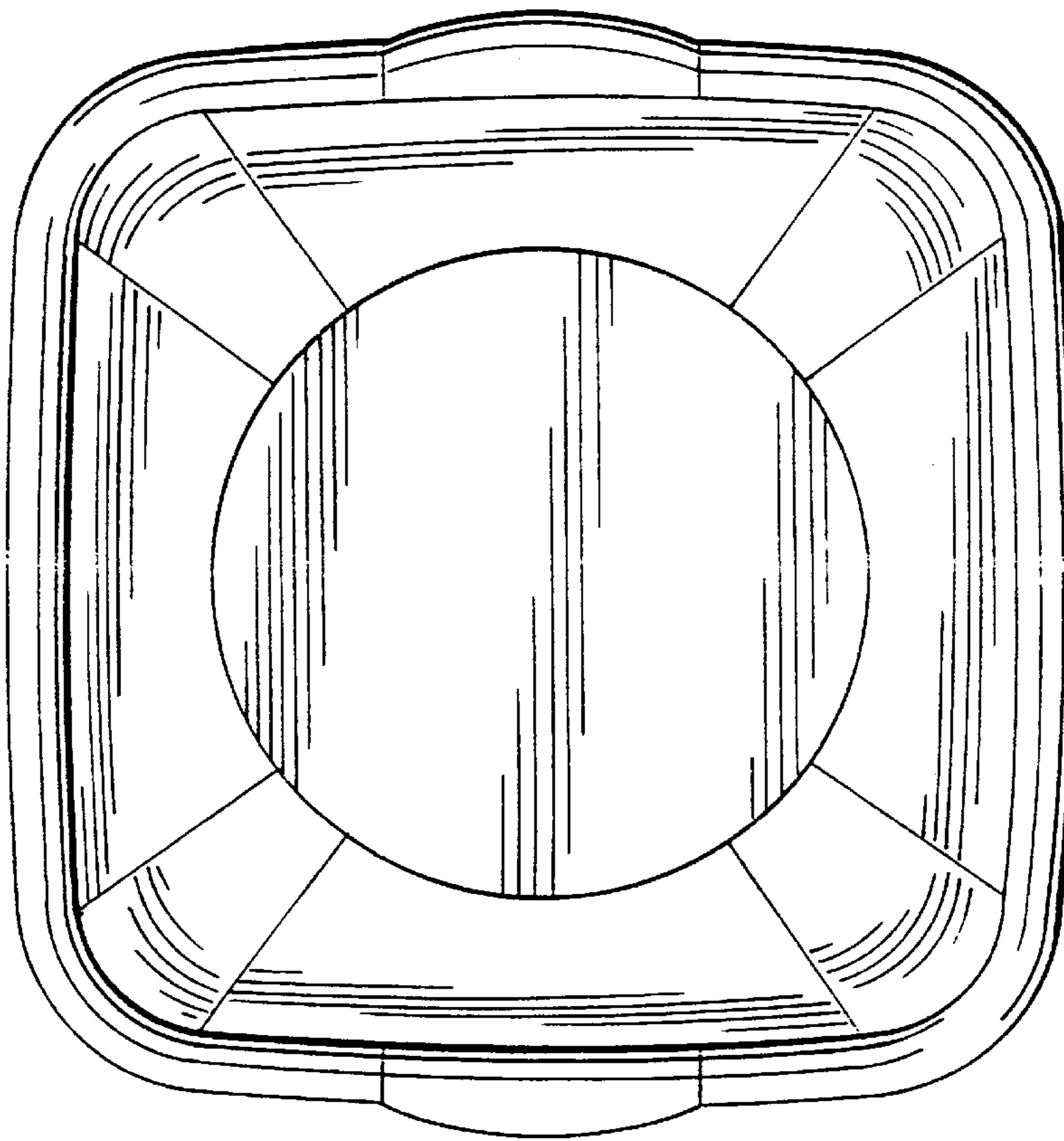


FIG. 9

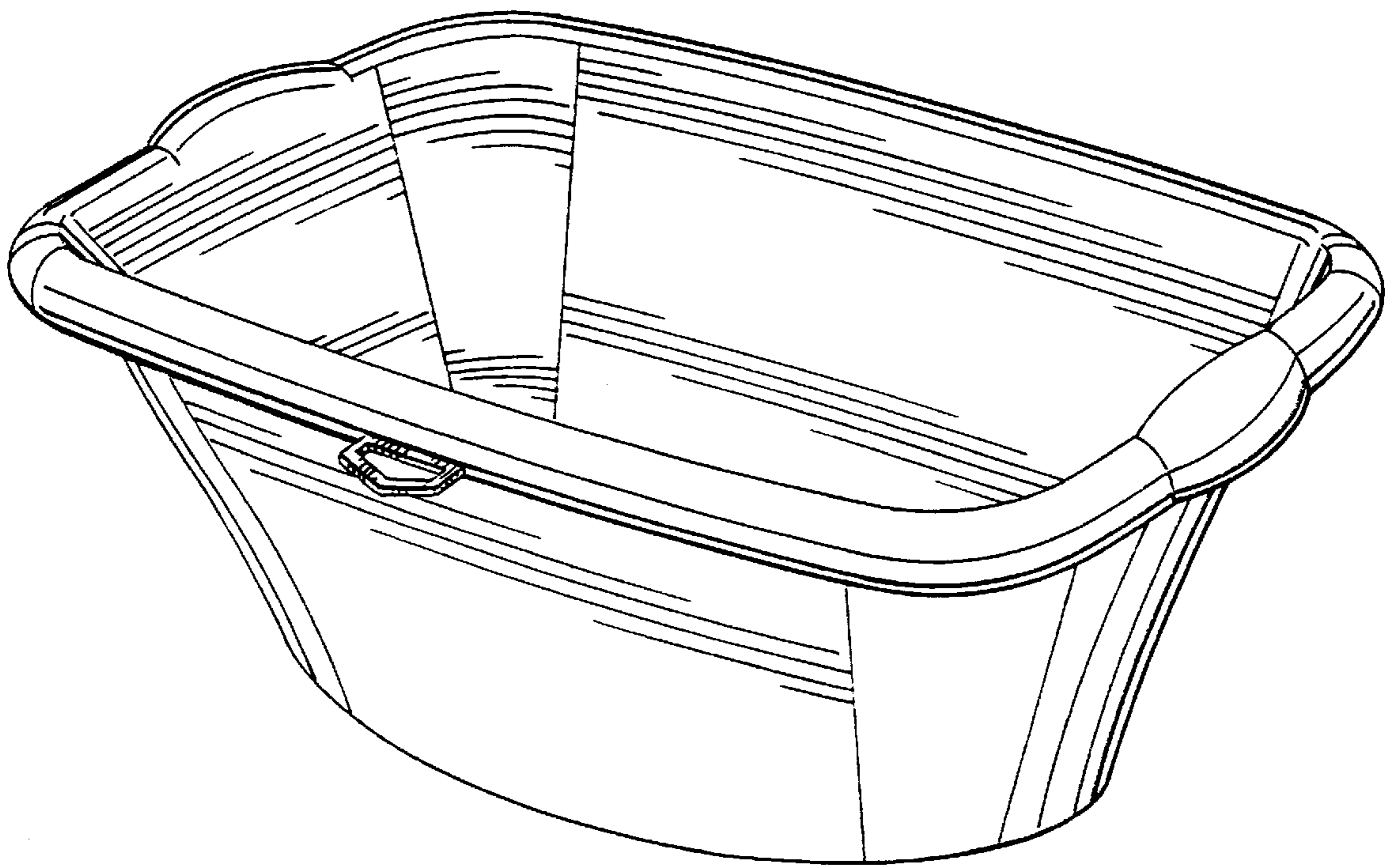


FIG. 11



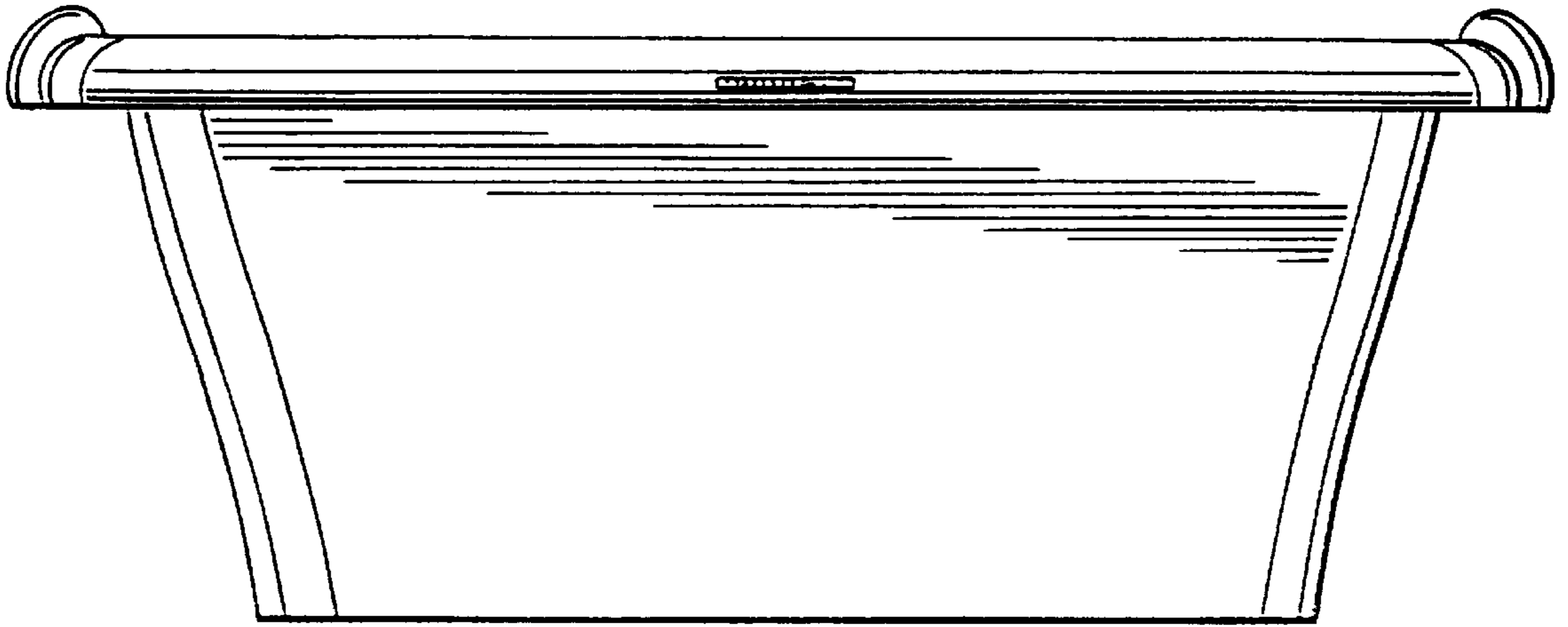


FIG. 12

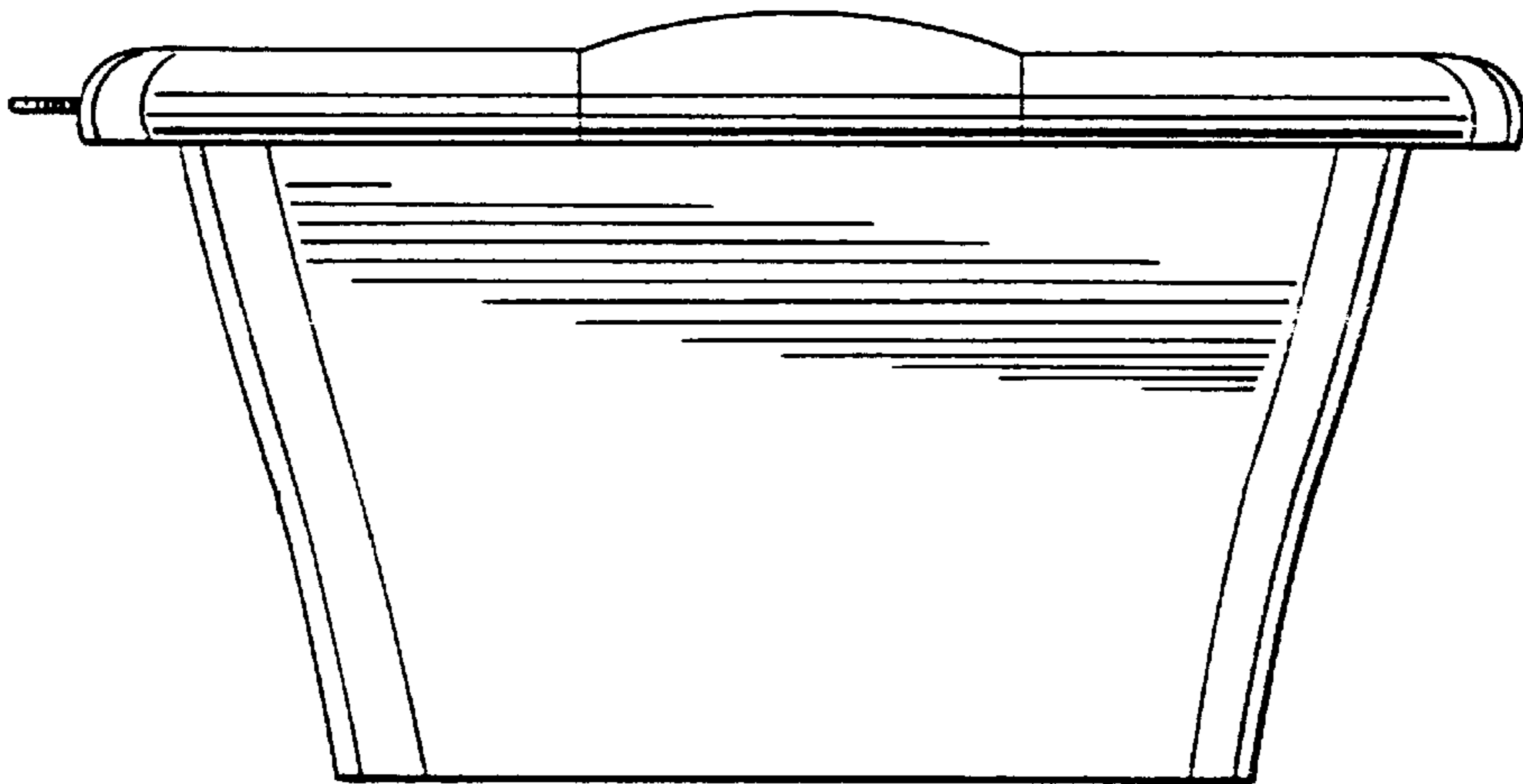


FIG. 13

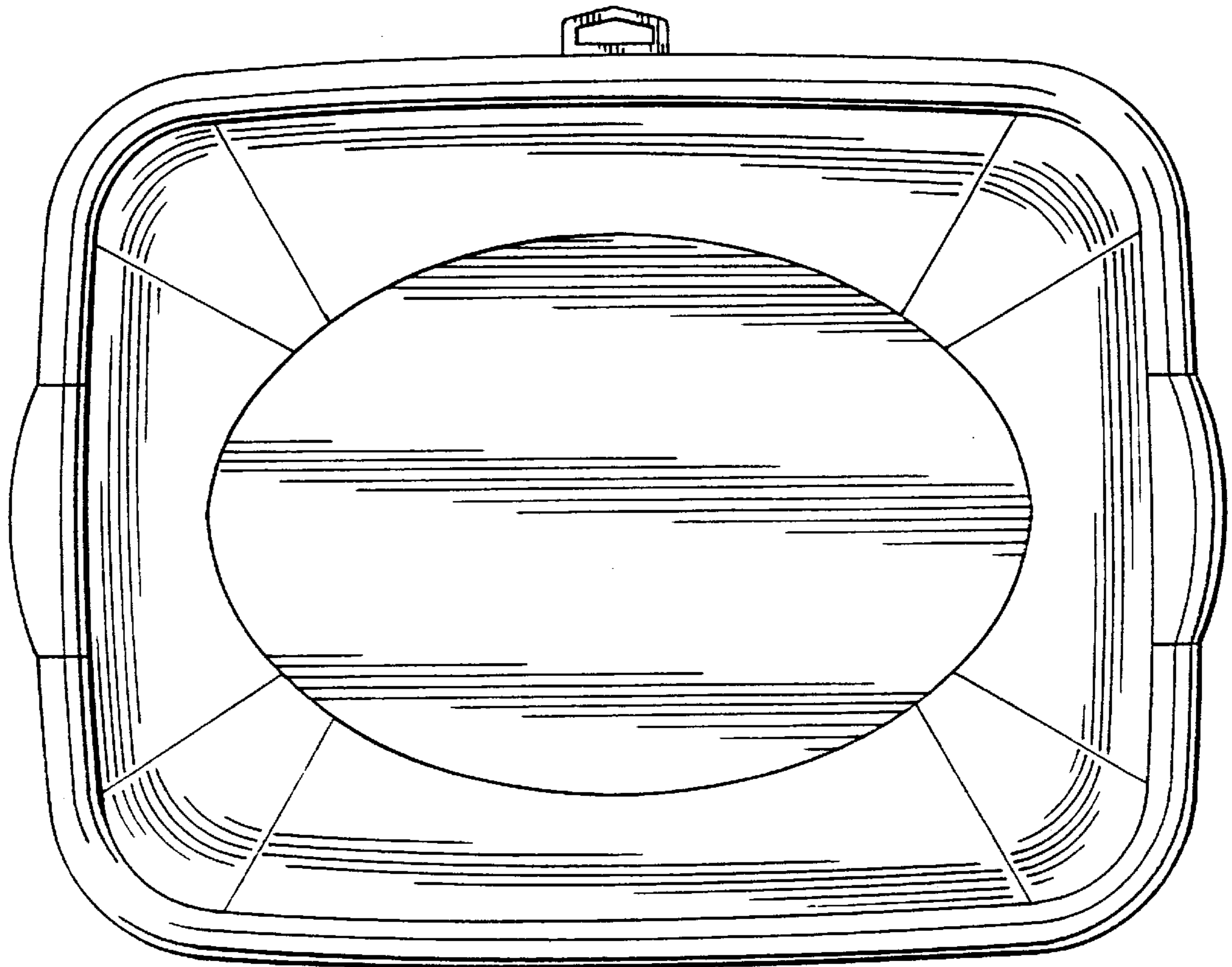


FIG. 14

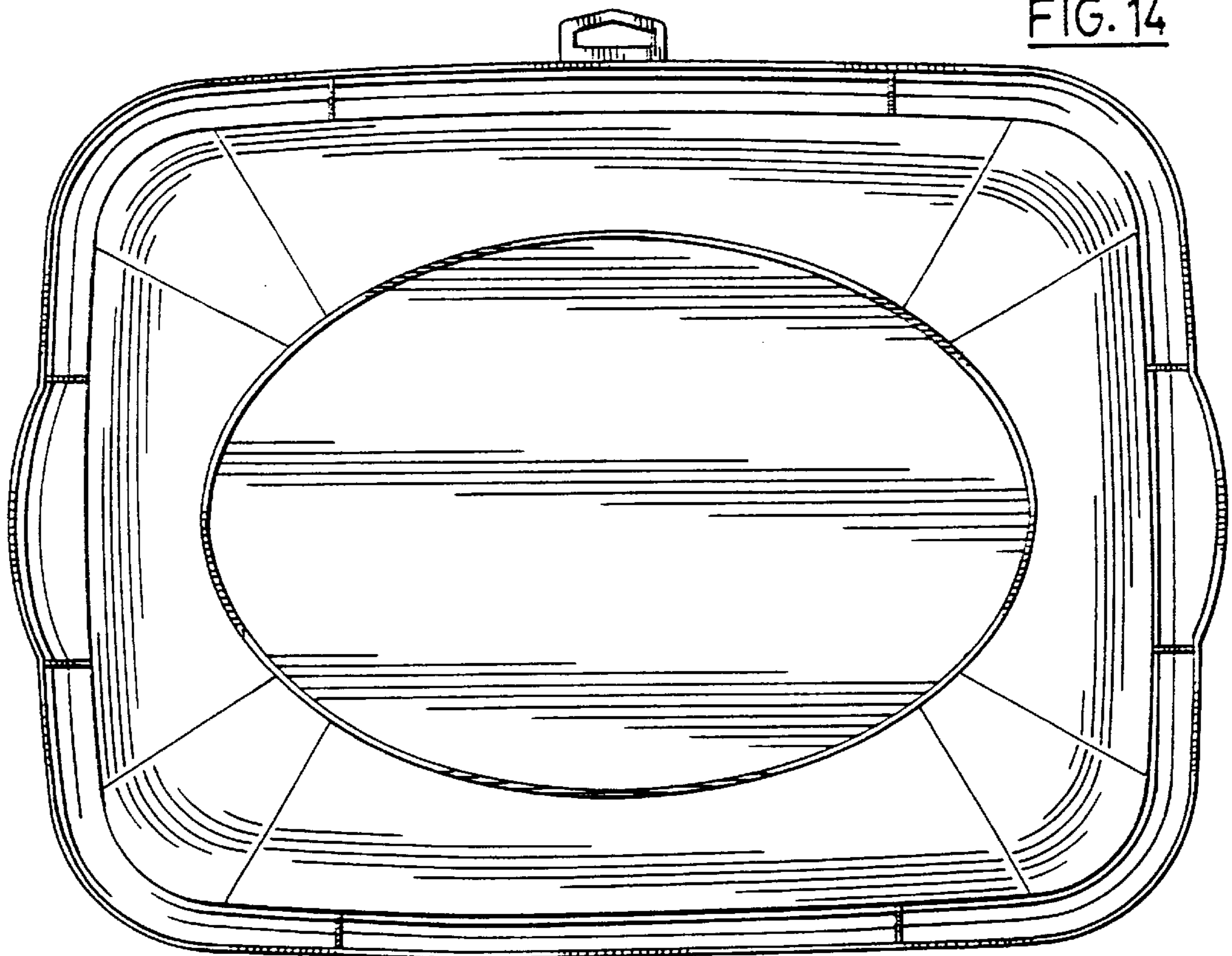


FIG. 15

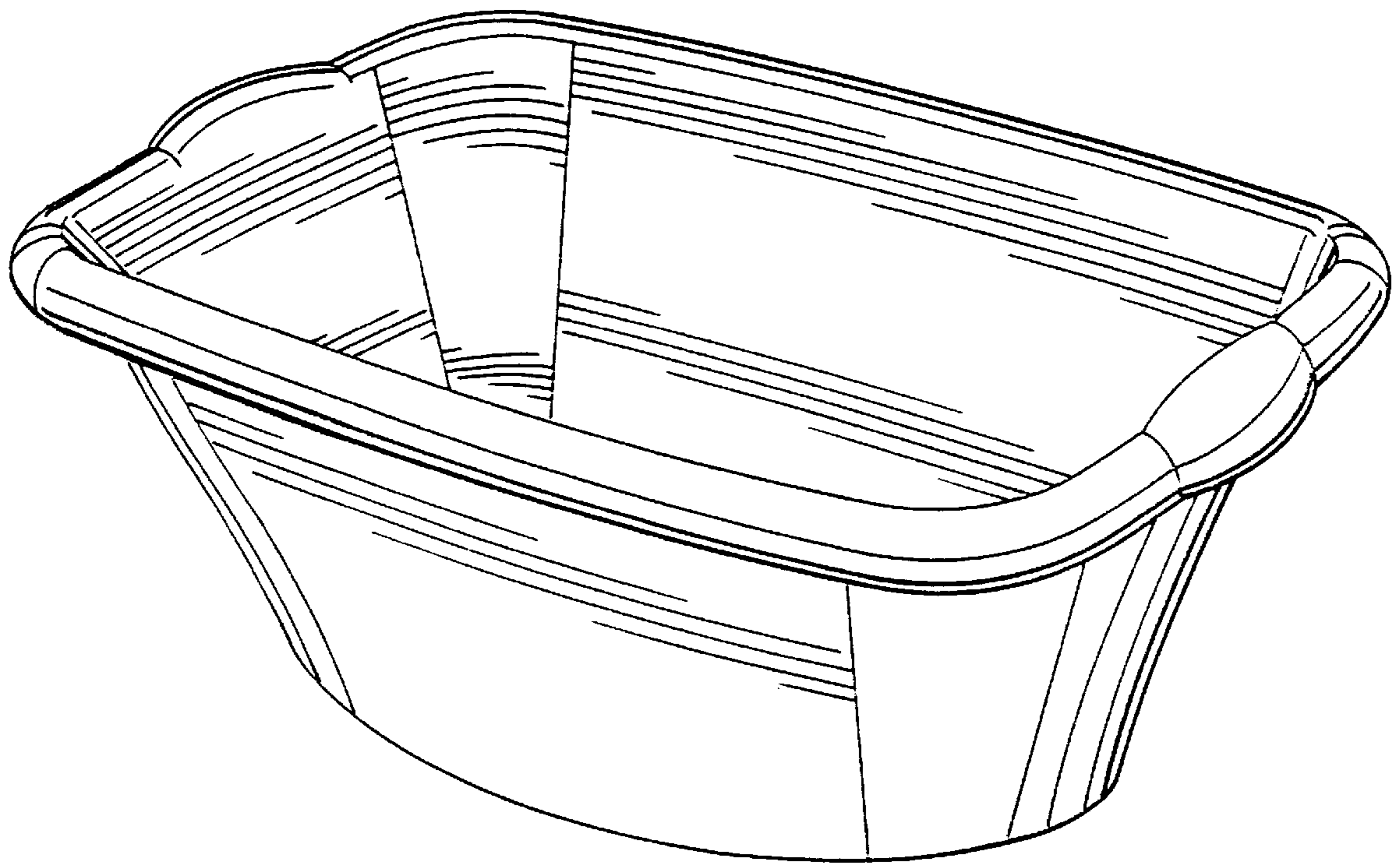


FIG. 16

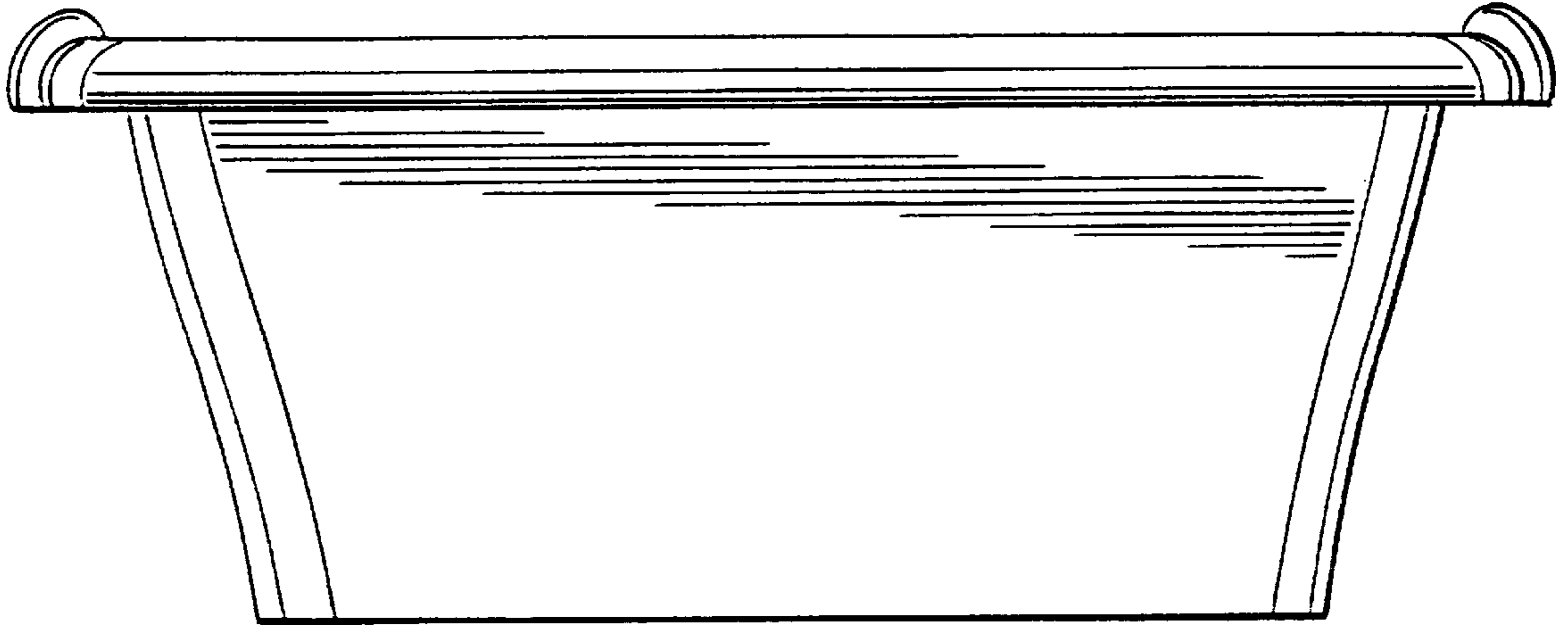


FIG. 17

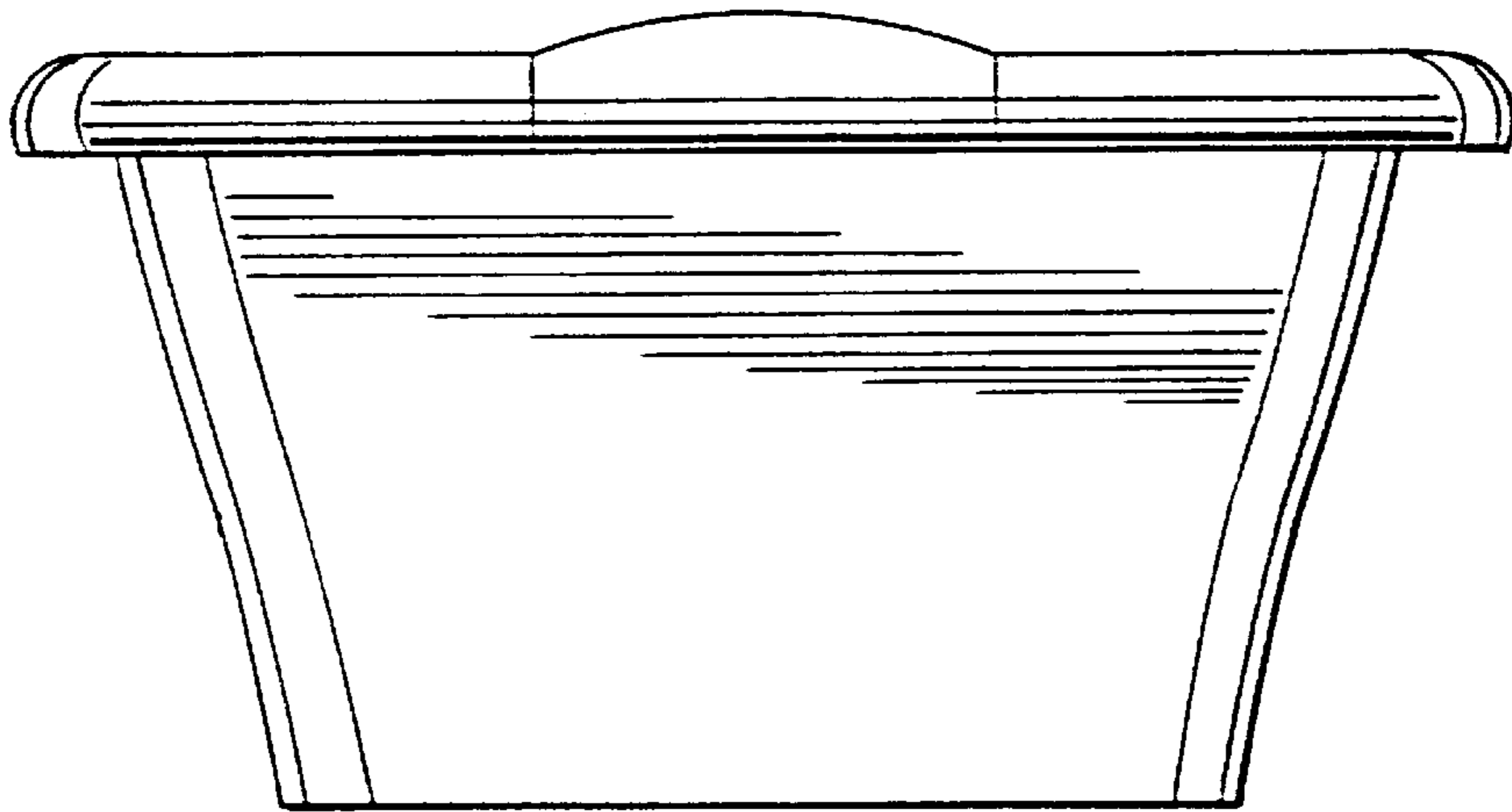


FIG. 18



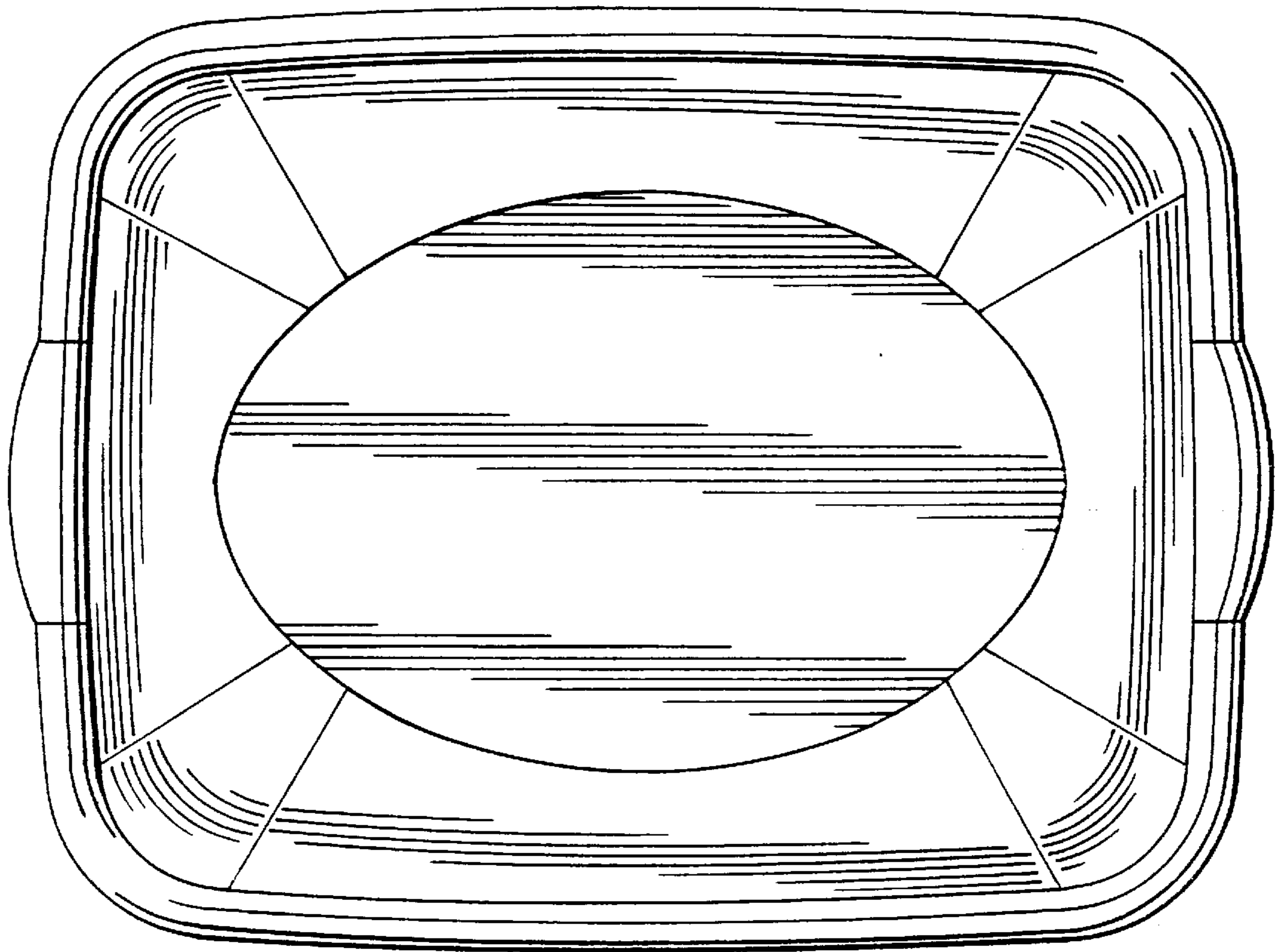


FIG. 19

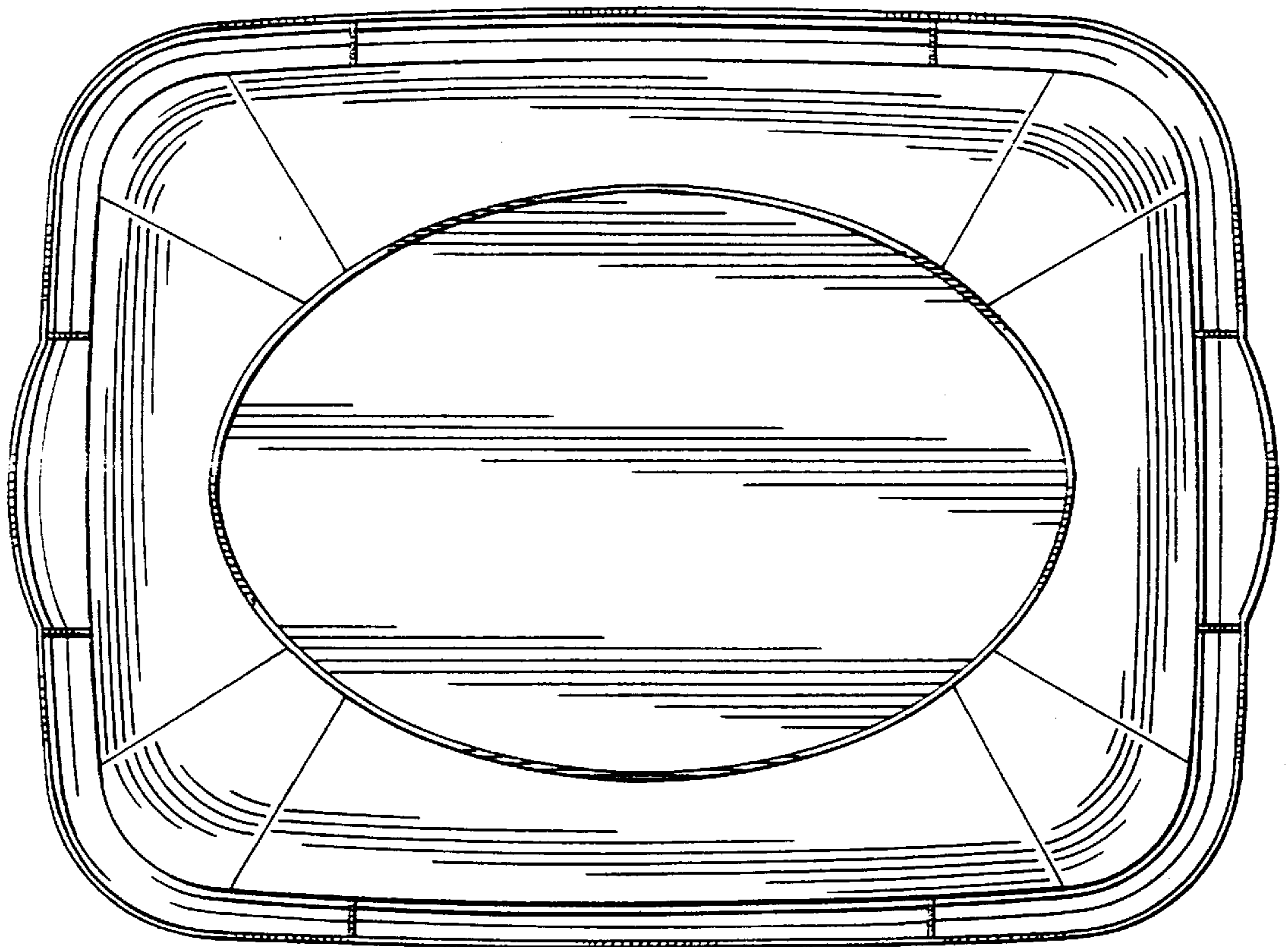


FIG. 20