



US00D431417S

United States Patent [19]
Lipson

[11] **Patent Number: Des. 431,417**

[45] **Date of Patent: ** Oct. 3, 2000**

[54] **LARGE SPORTS BOTTLE AND STRAW**

[76] Inventor: **Erik Lipson**, 1530 Locust St., #10B,
Philadelphia, Pa. 19102

[**] Term: **14 Years**

[21] Appl. No.: **29/115,358**

[22] Filed: **Dec. 13, 1999**

[51] **LOC (7) Cl.** **07-01**

[52] **U.S. Cl.** **D7/507; D7/510; D7/511;**
D7/529

[58] **Field of Search** D7/510, 511, 507,
D7/509, 523, 524, 525, 528, 529, 531,
537, 532, 513, 300.2; 215/6, 388; 229/400;
356/216; 239/33; 206/515

[56] **References Cited**

U.S. PATENT DOCUMENTS

D. 279,250	6/1985	Holloway	D7/507
D. 330,993	11/1992	Robbins, III	D7/510
D. 360,558	7/1995	Appleman	D7/507

2,750,768	6/1956	Laurent	215/6
2,885,134	5/1959	Cohen	229/400
5,739,903	4/1998	Kepner	356/216
5,806,765	9/1998	Weinstein	239/33
5,813,604	9/1998	Frassetti	239/33

Primary Examiner—M. N. Pandozzi
Attorney, Agent, or Firm—Gifford, Krass, Groh, Sprinkle,
Anderson & Citkowski, P.C.

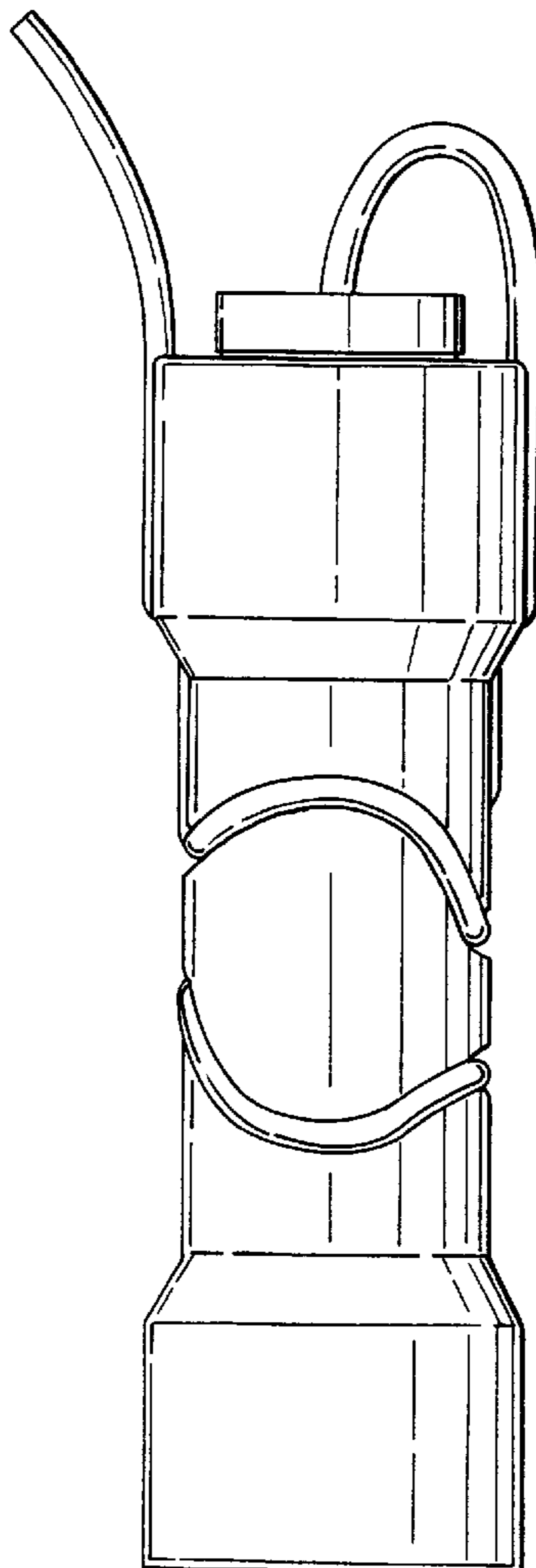
[57] **CLAIM**

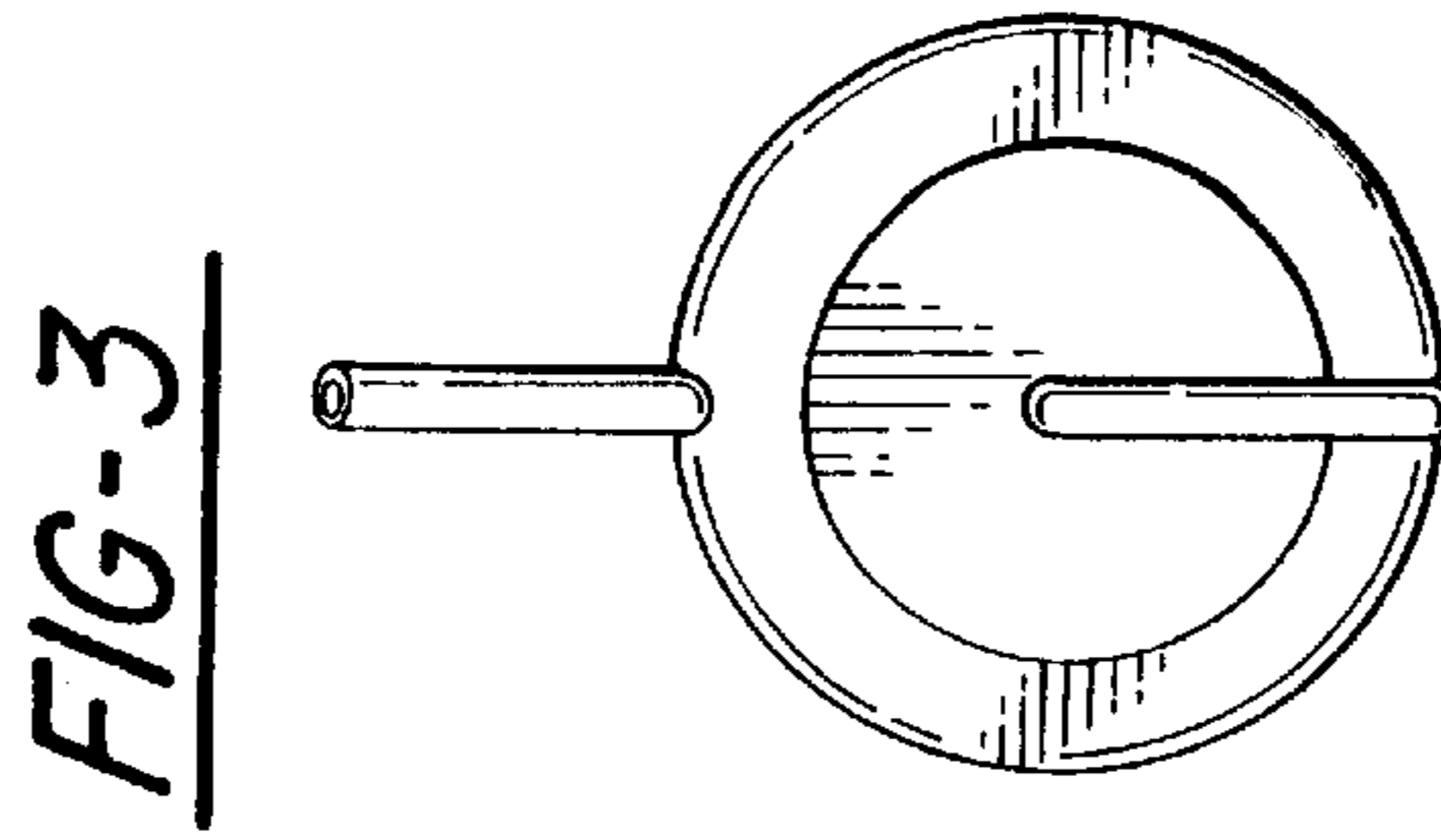
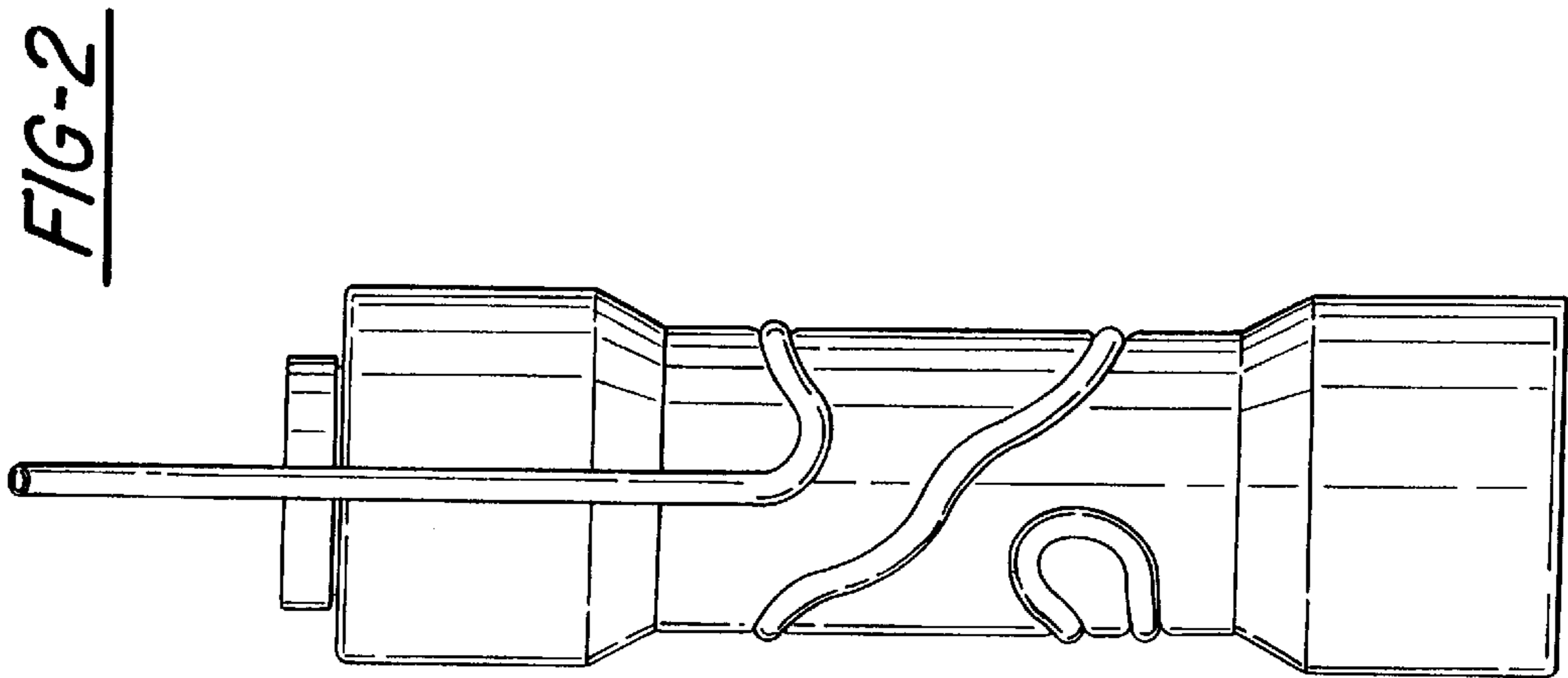
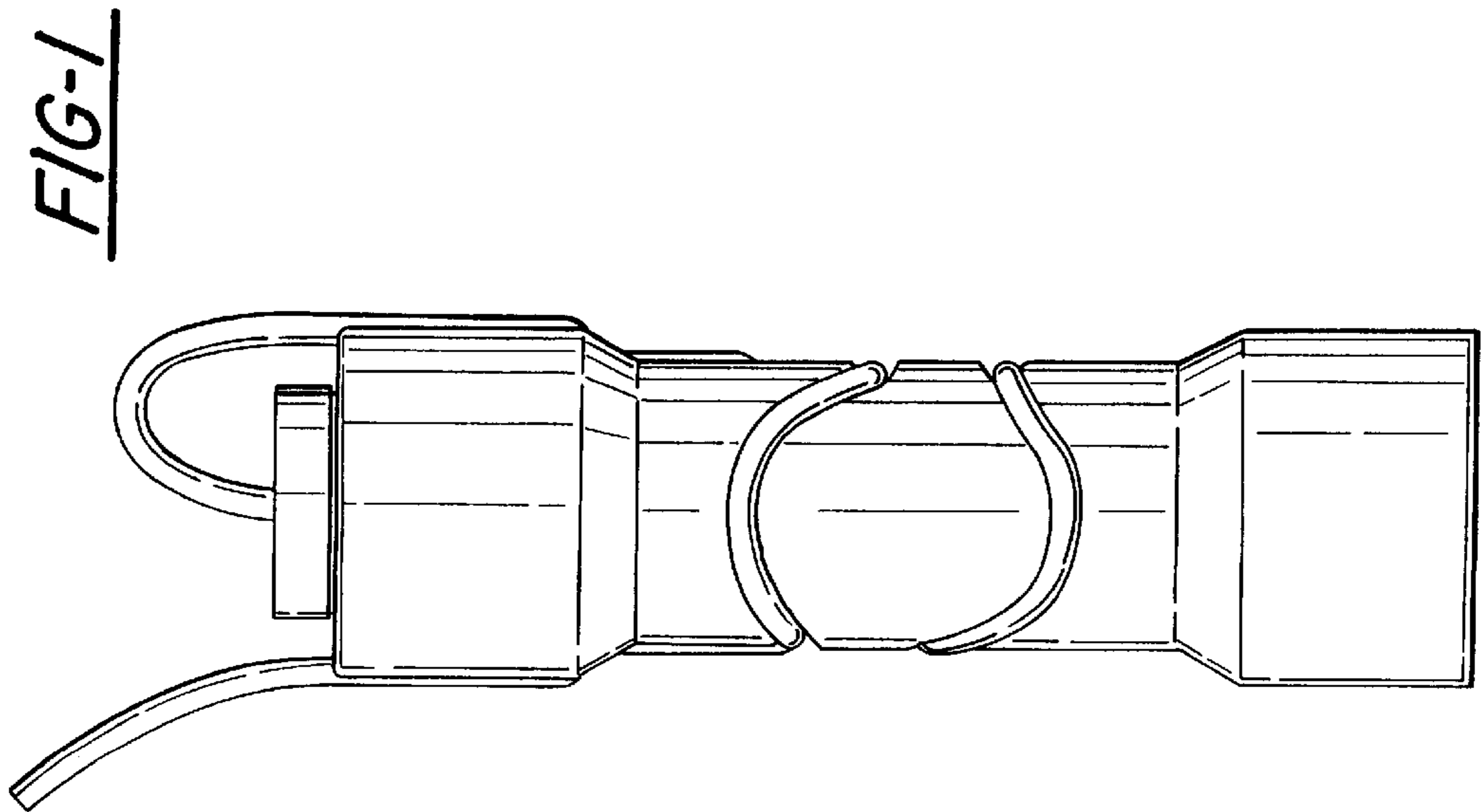
I claim the ornamental design for a large sports bottle and straw, as shown and described.

DESCRIPTION

FIG. 1 is a right side elevational view of a large sports bottle and straw showing my new design;
FIG. 2 is a front elevational view thereof;
FIG. 3 is a top plan view thereof;
FIG. 4 is a left side elevational view thereof;
FIG. 5 is a rear elevational view thereof; and,
FIG. 6 is a bottom plan view thereof.

1 Claim, 2 Drawing Sheets





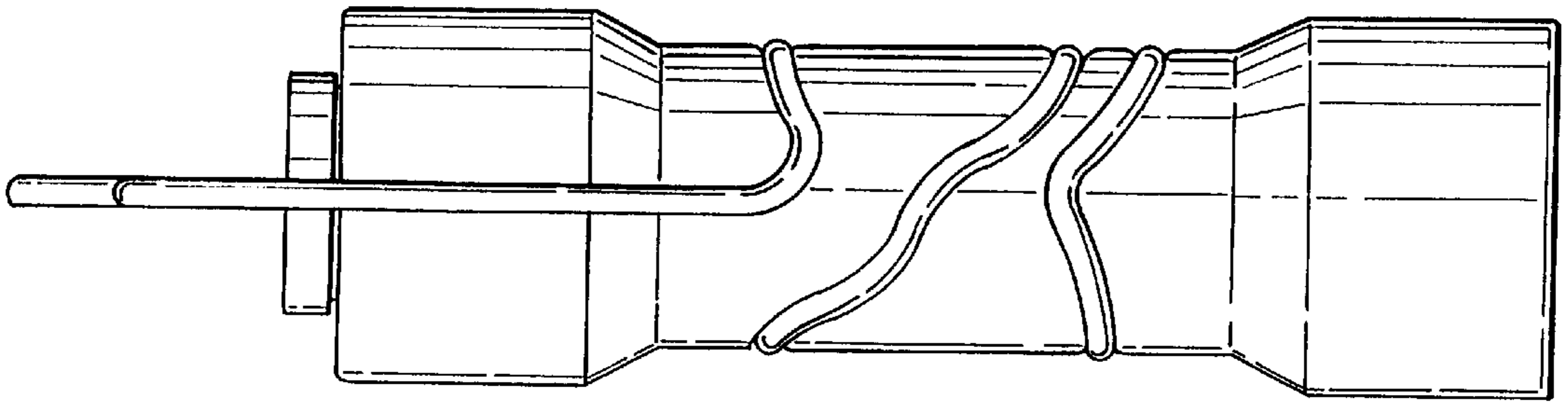


FIG-5

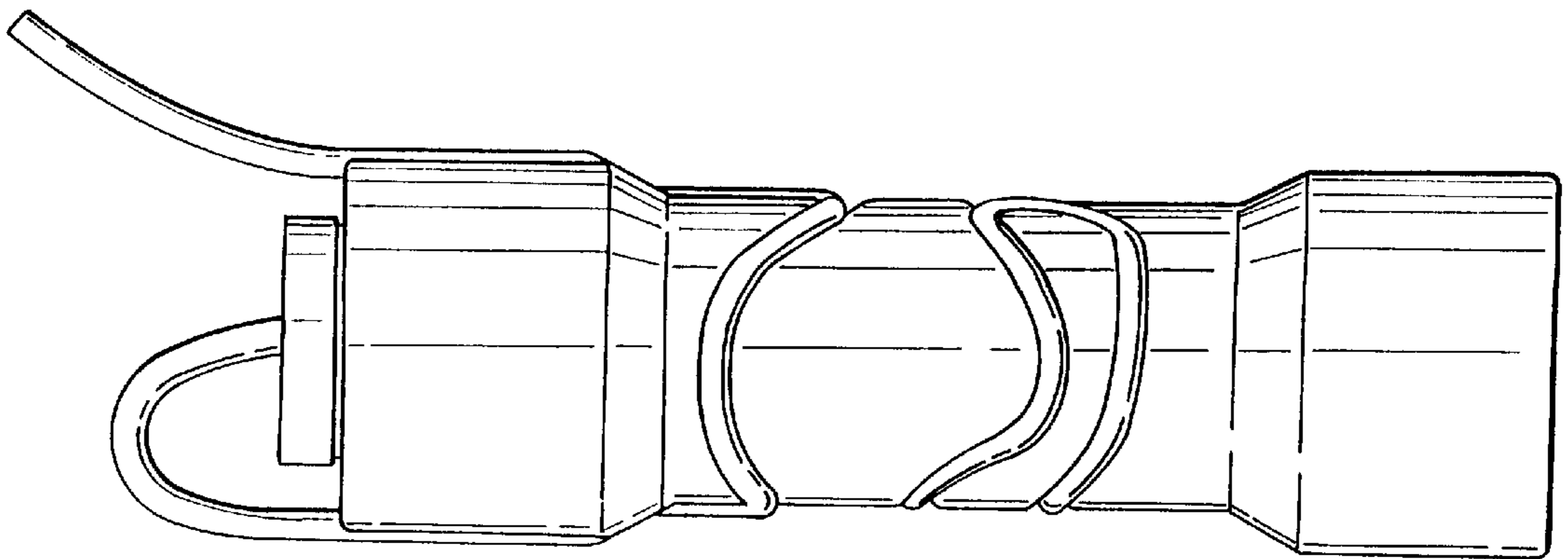


FIG-4

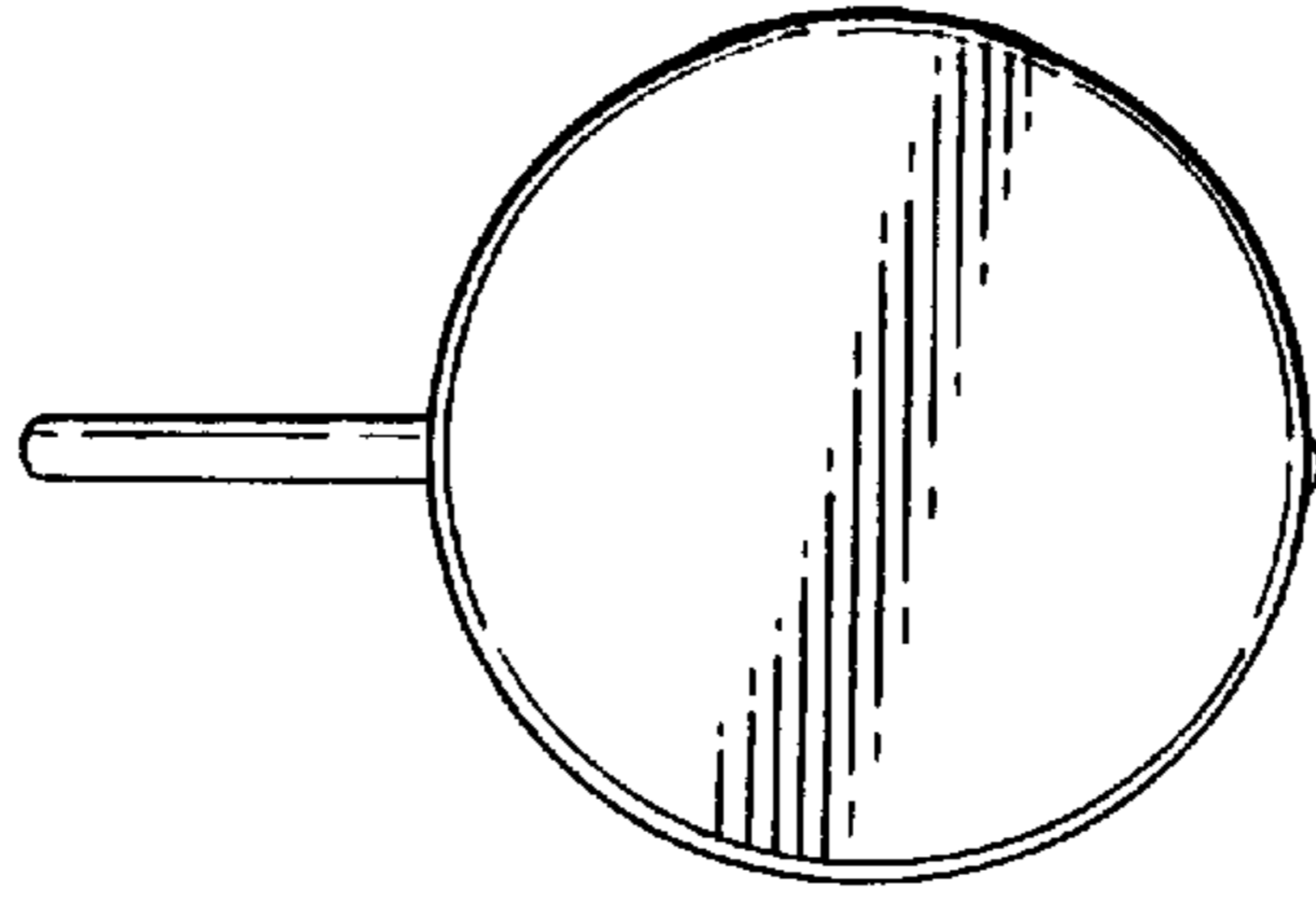


FIG-6