



US00D431416S

United States Patent [19] Holbrook

[11] **Patent Number: Des. 431,416**

[45] **Date of Patent: ** Oct. 3, 2000**

[54] **OVEN COOKING CHAMBER**

[75] Inventor: **Richard M. Holbrook**, Pasadena, Calif.

[73] Assignee: **Thermador Corporation**, Los Angeles, Calif.

[**] Term: **14 Years**

[21] Appl. No.: **29/103,602**

[22] Filed: **Apr. 14, 1999**

[51] **LOC (7) Cl.** **07-02**

[52] **U.S. Cl.** **D7/402**

[58] **Field of Search** D7/340, 341, 346, D7/348, 349, 365, 367, 369, 402, 405, 407; 126/1 R, 39 B, 190, 198, 200, 273 A, 273 R; 219/214, 443.1, 444.1, 448.11, 460.1

[56] **References Cited**

U.S. PATENT DOCUMENTS

D. 349,004	7/1994	Ivanovich	D7/402
D. 379,734	6/1997	Baldwin	D7/339
D. 399,390	10/1998	Baldwin	D7/405
736,295	8/1903	Petersen	126/198
3,033,188	5/1962	Cline et al.	126/39 B
3,070,085	12/1962	Mills	126/200
3,409,003	11/1968	Rehberg et al.	126/190
3,565,054	2/1971	Smith	126/200
3,732,857	5/1973	Williamitis	126/273 R
3,855,994	12/1974	Evans et al.	126/200
4,255,640	3/1981	Bressler	126/200

5,782,231	7/1998	Wade	126/200
5,789,724	8/1998	Lerssen	126/200
5,881,710	3/1999	Davis	126/200
5,981,927	11/1999	Osepchuk et al.	126/198

Primary Examiner—Robert M. Spear
Attorney, Agent, or Firm—Brooks & Kushman P.C.

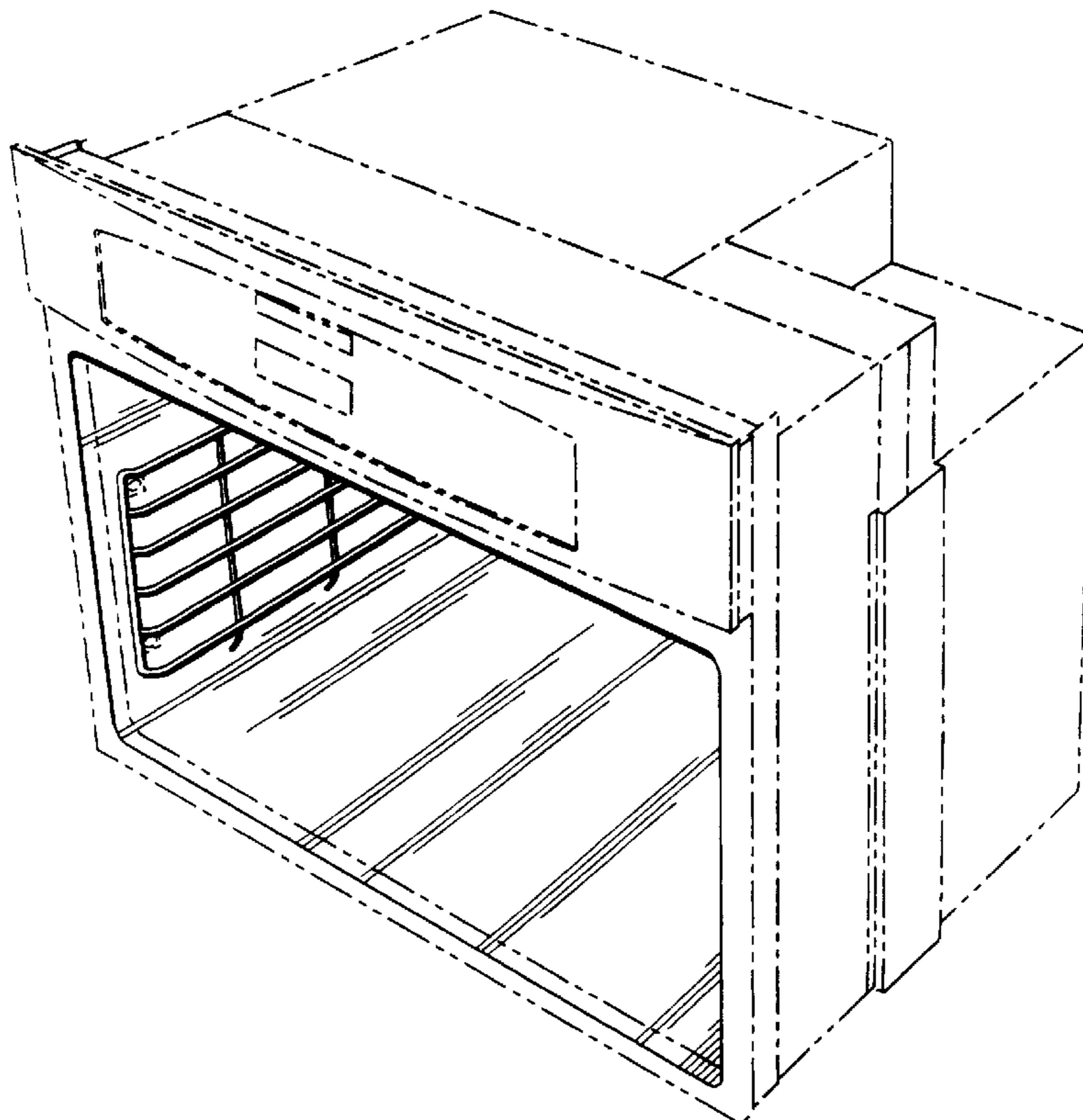
[57] **CLAIM**

The ornamental design for an oven cooking chamber, as shown and described.

DESCRIPTION

FIG. 1 is a perspective view of an oven cooking chamber showing my ornamental design;
 FIG. 2 is a front view of the oven cooking chamber showing my ornamental design;
 FIG. 3 is a front view of the oven cooking chamber similar to FIG. 2, but with the environmental parts removed for the sake of clarity;
 FIG. 4 is a plan view of the bottom surface of the oven cooking chamber showing my ornamental design;
 FIG. 5 is a right side view of the oven cooking chamber shown in FIGS. 1–4, which forms a typical side elevational view, showing my ornamental design; and,
 FIG. 6 is a plan view of the top surface of the oven cooking chamber shown in FIGS. 1–5 and showing my ornamental design.
 The broken lines in the drawings are for illustrative purposes only and form no part of the claimed design.

1 Claim, 3 Drawing Sheets



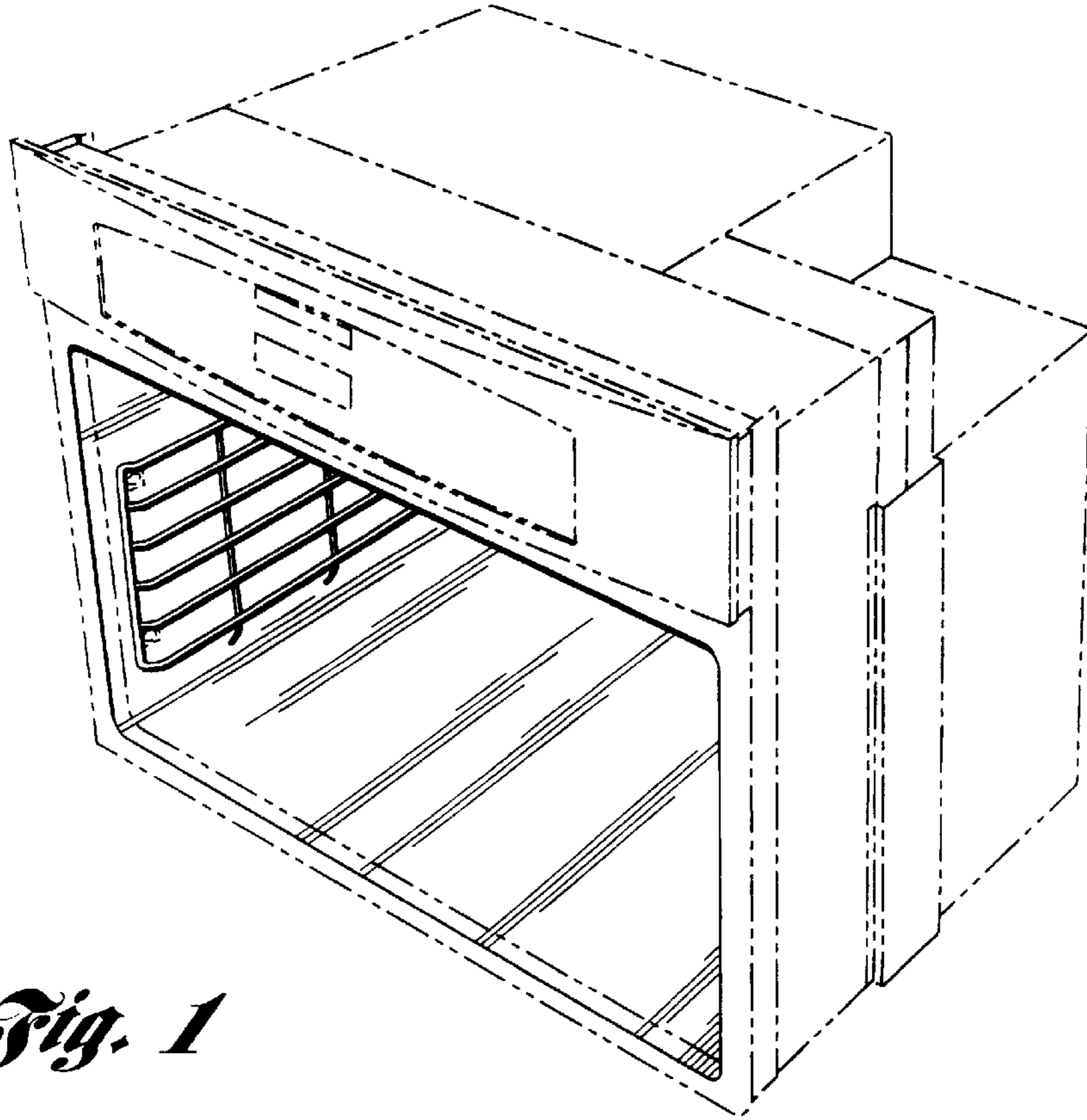


Fig. 1

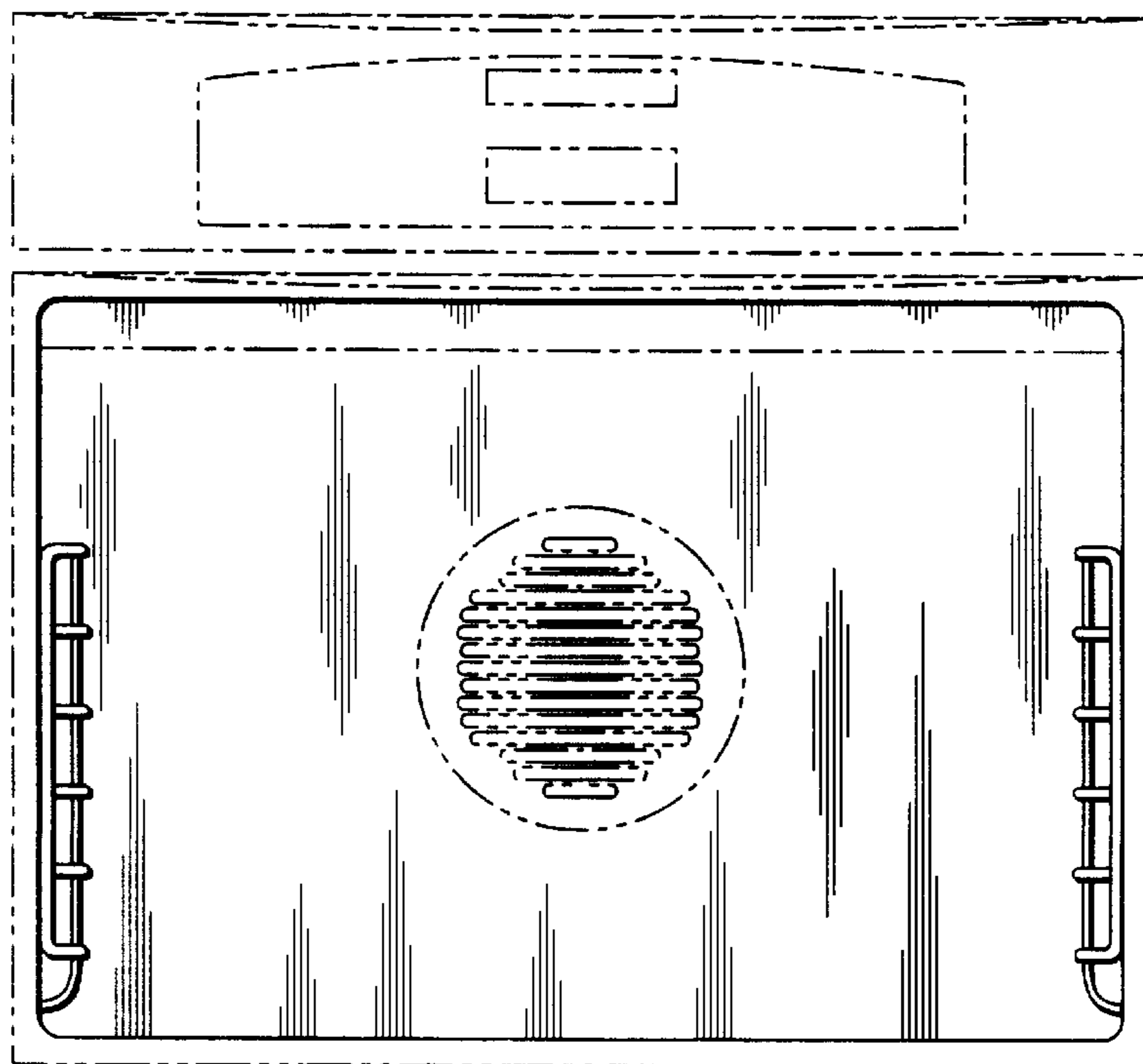


Fig. 2

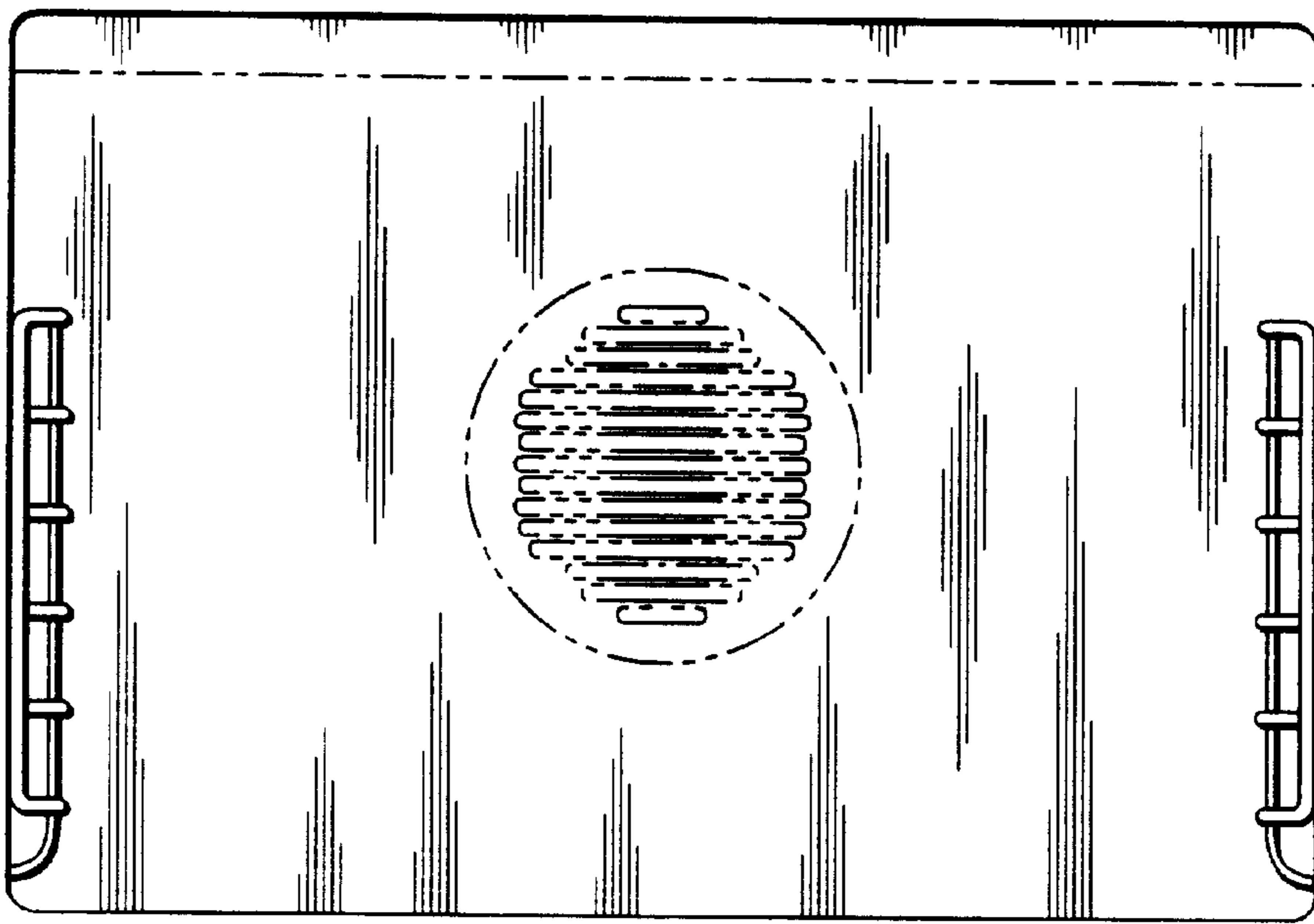


Fig. 3

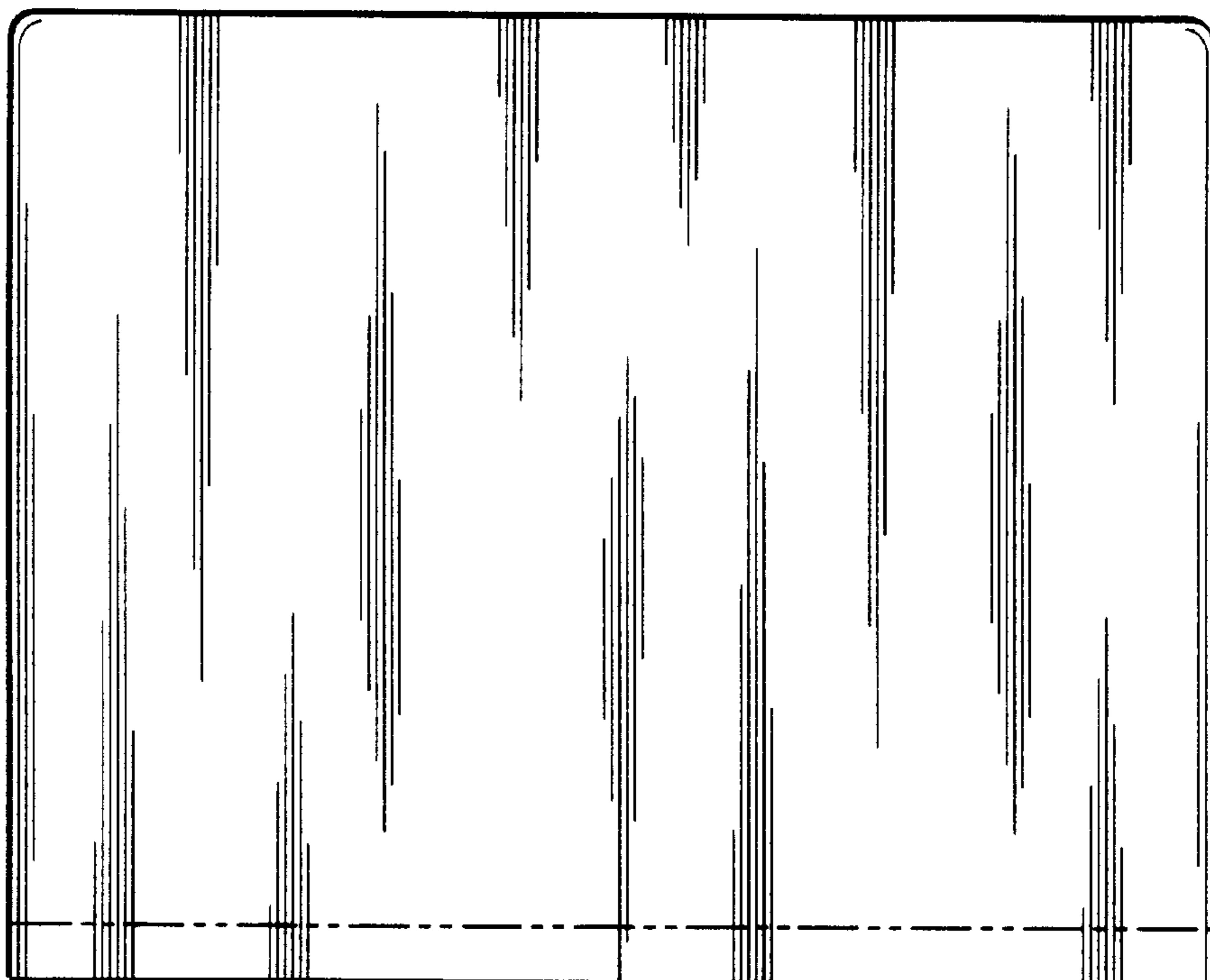


Fig. 4

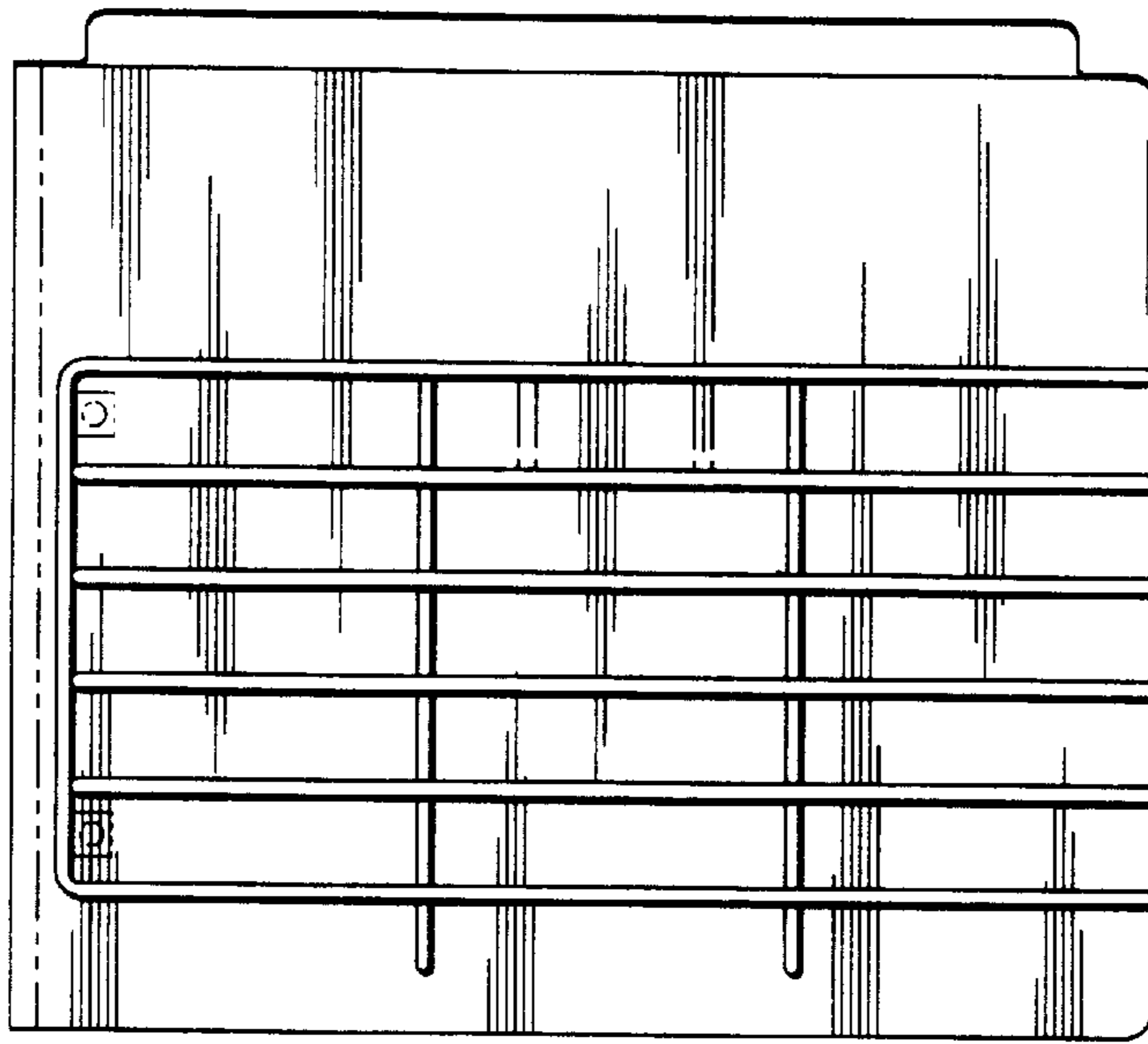


Fig. 5

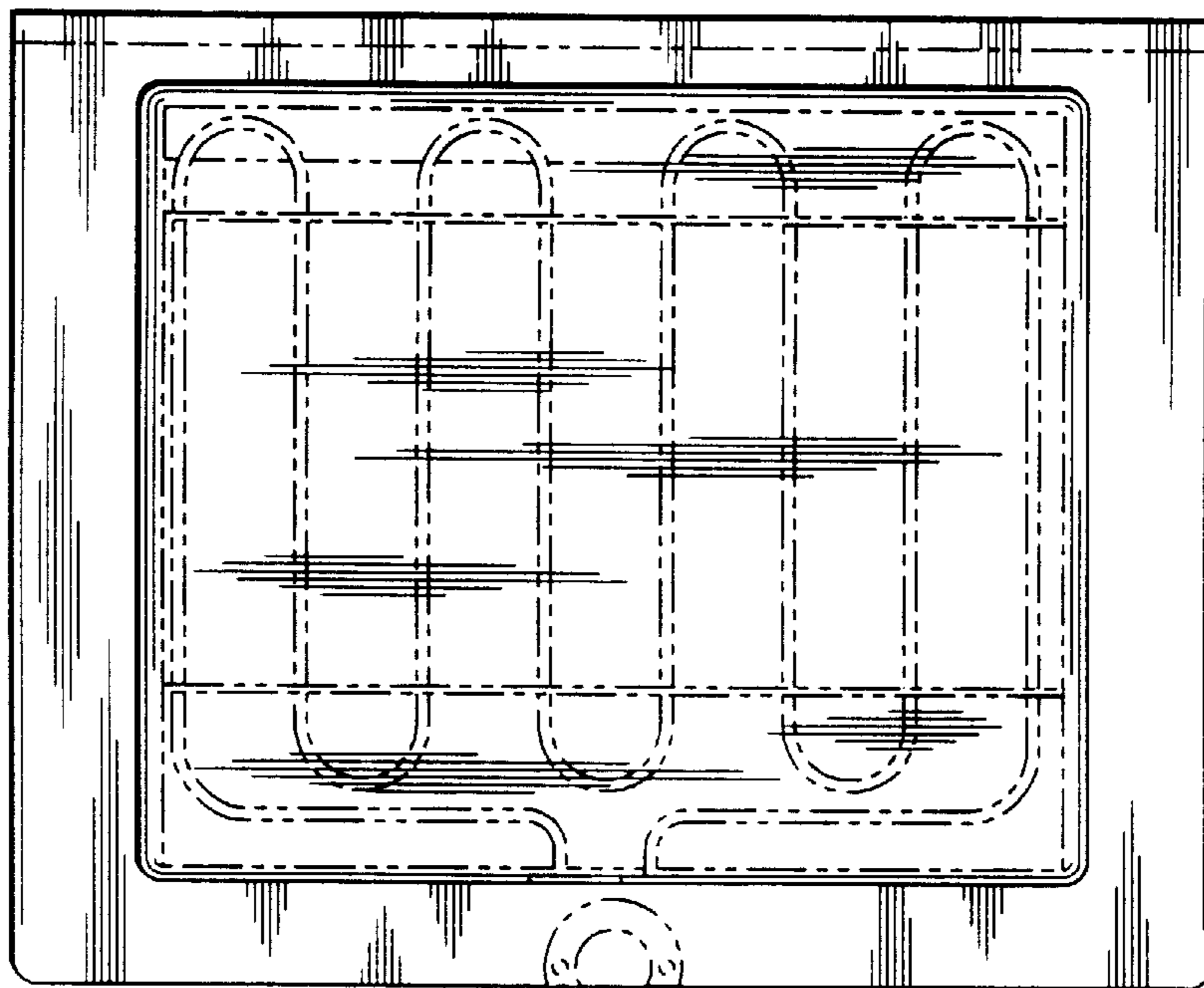


Fig. 6