



US00D431413S

# United States Patent [19]

[11] Patent Number: **Des. 431,413**

Schaper et al.

[45] Date of Patent: **\*\* Oct. 3, 2000**

[54] **INTEGRAL HANDLE FOR PLASTIC CONTAINER**

[75] Inventors: **Eric B. Schaper**, Midland, Mich.;  
**Jeffrey E. Parker**, Lake Bluff, Ill.;  
**Donald A. Tomalia, Jr.**, Midland;  
**Joseph S. Trombley**, Auburn, both of Mich.

[73] Assignee: **Packaging Resources Incorporated**,  
Lake Forest, Ill.

[\*\*] Term: **14 Years**

[21] Appl. No.: **29/116,095**

[22] Filed: **Dec. 27, 1999**

### Related U.S. Application Data

[63] Continuation of application No. 09/422,713, Oct. 21, 1999.

[51] **LOC (7) Cl.** ..... **07-99**

[52] **U.S. Cl.** ..... **D7/394; D7/396.2; D7/393**

[58] **Field of Search** ..... D7/510, 511, 605,  
D7/391, 392.1, 705, 393, 394, 612, 395,  
608, 396.2; 220/254, 718, 592.16, 754,  
215.5, 768, 771, 657, 659; D32/53, 53.1,  
54; D9/443

[56] **References Cited**

#### U.S. PATENT DOCUMENTS

D. 177,942	6/1956	Rutan .....	D7/311
D. 332,379	1/1993	Murphy .....	D7/391
D. 368,347	3/1996	Kruger .....	D32/53
D. 370,153	5/1996	Chaney .....	D7/511
D. 395,790	7/1998	Gaines .....	D7/510
2,051,940	8/1936	Chichester-Miles .....	150/48
2,669,379	2/1954	Olson .....	229/1.5
2,866,575	12/1958	Lattuca .....	220/94
2,935,223	5/1960	Crowley .....	220/91
3,070,253	12/1962	Brown .....	220/592.16
3,119,541	1/1964	Lynn .....	229/5.5

3,310,088	3/1967	Hildebrandt et al. ....	150/0.5
3,620,410	11/1971	Griese, Jr. ....	220/94 R
3,623,633	11/1971	Kinn .....	220/94 R
3,730,382	5/1973	Heisler .....	220/60 R
3,737,069	6/1973	Owen .....	220/94 R
3,889,732	6/1975	Wilkins .....	150/48
4,357,042	11/1982	Gall .....	294/31.2
4,380,304	4/1983	Anderson .....	220/306
4,941,586	7/1990	Tarna .....	220/83
5,027,973	7/1991	Drogos .....	220/657
5,161,710	11/1992	Chumley .....	220/754
5,176,259	1/1993	Andersen .....	206/557
5,215,210	6/1993	Ostrum et al. ....	220/754
5,232,112	8/1993	Howard .....	220/212.5
5,520,306	5/1996	Umiker .....	220/754

*Primary Examiner*—M. N. Pandozzi  
*Attorney, Agent, or Firm*—Jenkins & Gilchrist

[57] **CLAIM**

The ornamental design for an integral handle for plastic container, as shown and described.

### DESCRIPTION

FIG. 1 is a perspective view of an integral handle for plastic container attached to the rim of a container, in accordance with the present invention.

FIG. 2 is a side view of the handle and rim of FIG. 1.

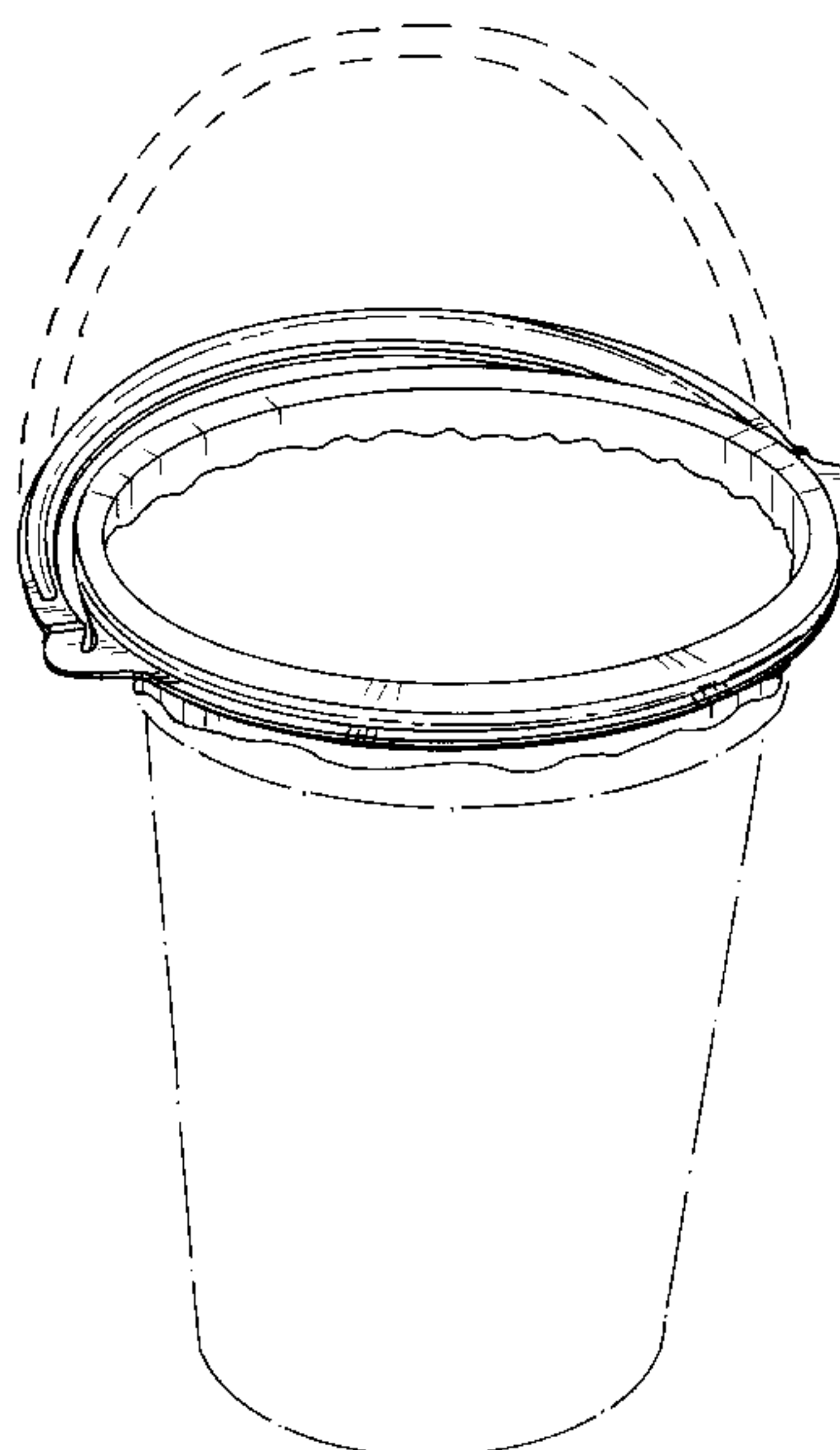
FIG. 3 is a front view of the handle and rim of FIG. 1.

FIG. 4 is a top view of the handle and rim of FIG. 1.

FIG. 5 is a cross-sectional view of the handle and the rim of the container of FIG. 4 toward the center of the handle. The handle has a substantially U-shaped transverse cross-section along a major portion of its length. The depth of the U-shaped cross-section progressively increases from each end portion of the handle to the center of the handle; and, FIG. 6 is a cross-sectional view of the handle and the rim of the container of FIG. 4 between the center and the end portion of the handle.

The broken lines in FIG. 1 are for illustrative purposes only and form no part of the claimed design.

**1 Claim, 3 Drawing Sheets**



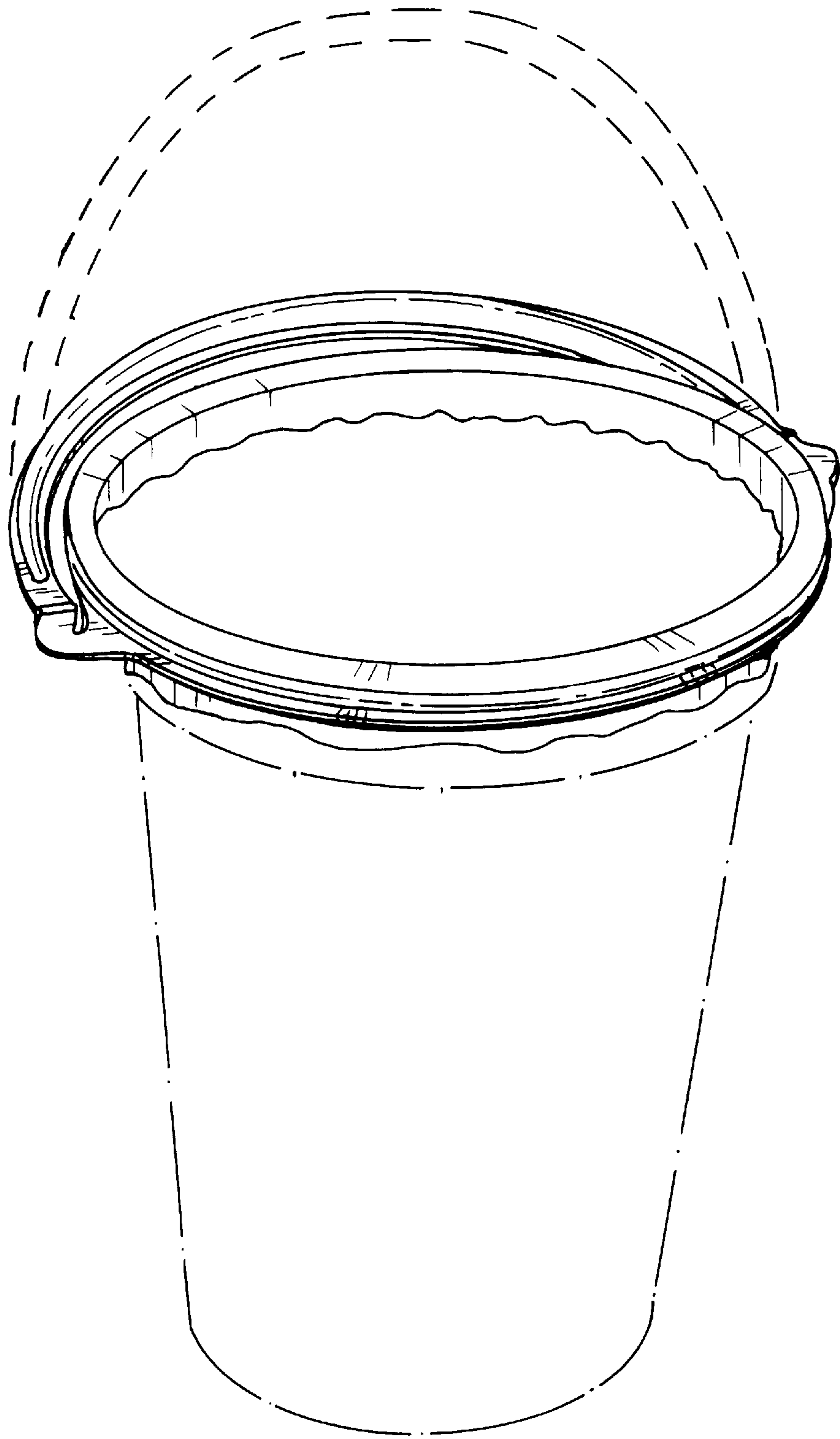


FIG. 1

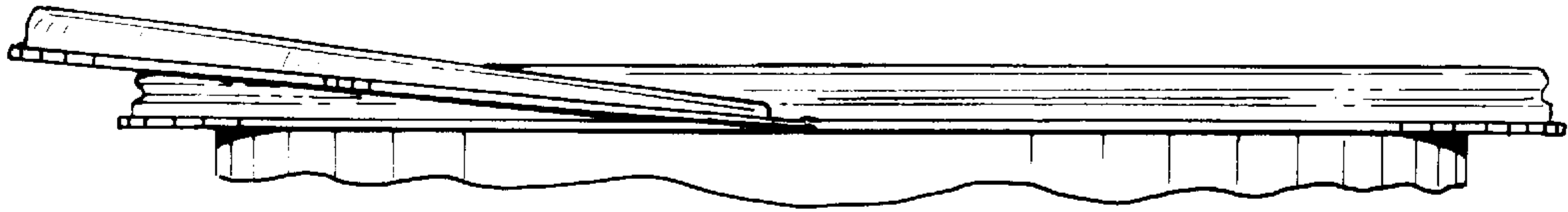


FIG. 2

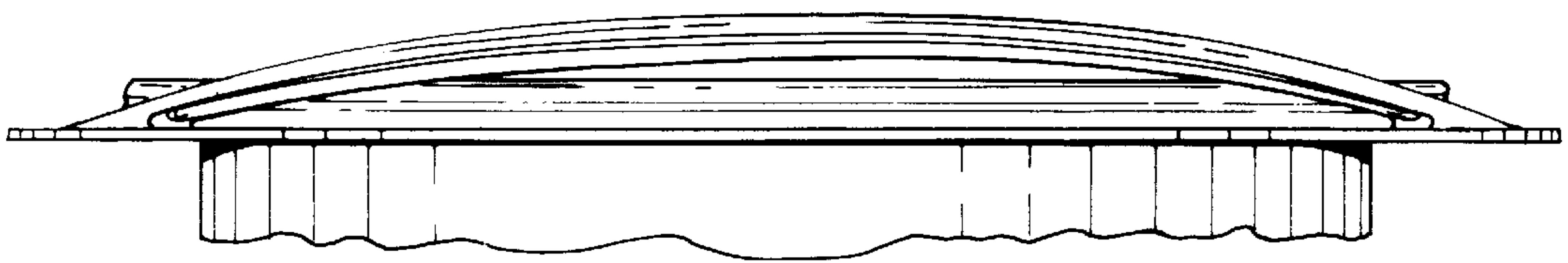


FIG. 3

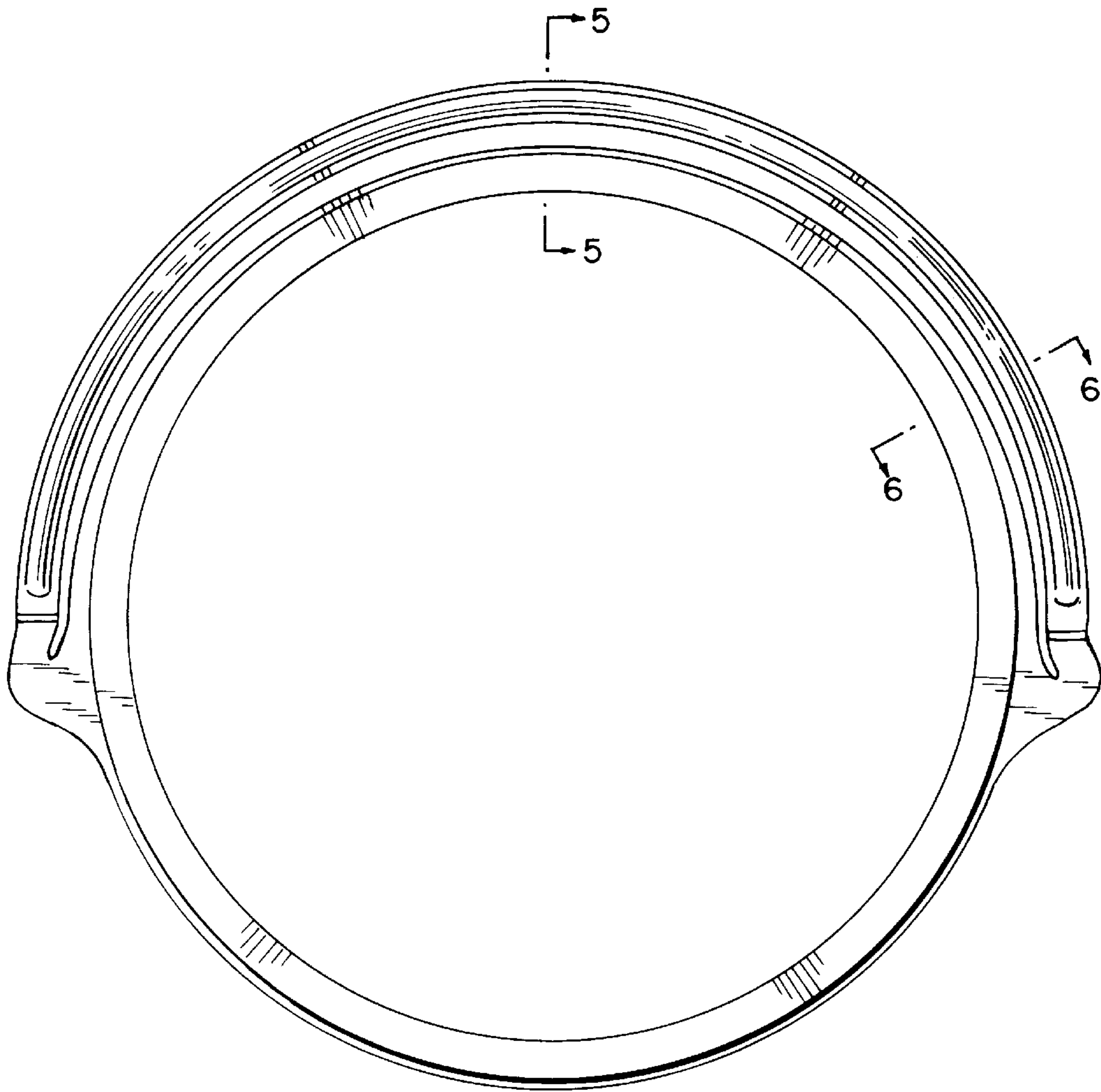


FIG. 4

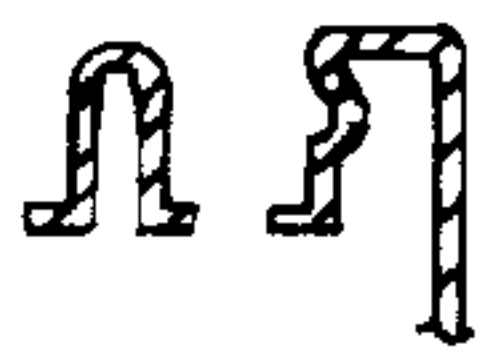


FIG. 5



FIG. 6