



US00D431412S

United States Patent [19]
Trombly

[11] **Patent Number: Des. 431,412**
[45] **Date of Patent: ** Oct. 3, 2000**

[54] **MUG LID**

[75] **Inventor: Edgar F. Trombly, Wayne County, Mich.**

[73] **Assignee: Punch Products USA, Rahway, N.J.**

[**] **Term: 14 Years**

[21] **Appl. No.: 29/098,621**

[22] **Filed: Jan. 4, 1999**

[51] **LOC (7) Cl. 07-97**

[52] **U.S. Cl. D7/392.1; D7/396.2; D7/900**

[58] **Field of Search D7/510, 511, 391, D7/392, 392.1, 396.2, 900; 220/669, 731, 711, 713, 253, 522; 215/235, 227; D9/443, 447, 449, 450, 454**

[56] **References Cited**

U.S. PATENT DOCUMENTS

D. 366,597	1/1996	Smith et al.	D7/536
D. 372,839	8/1996	Laib	D7/536
D. 373,927	9/1996	Kramer et al.	D7/392.1
D. 387,620	12/1997	Trombly	D7/510

D. 398,187	9/1998	Parker	D7/510
D. 406,011	2/1999	Hatsumoto et al.	D7/510
D. 409,441	5/1999	Stephenson	D7/510
D. 411,713	6/1999	Bridges	D7/536
D. 415,651	10/1999	Trombly	D7/392.1
D. 417,360	12/1999	Bickert et al.	D7/392.1
D. 420,254	2/2000	Park	D7/510
D. 420,550	2/2000	Elshof	D7/510

Primary Examiner—M. N. Pandozzi
Attorney, Agent, or Firm—Howard C. Miskin

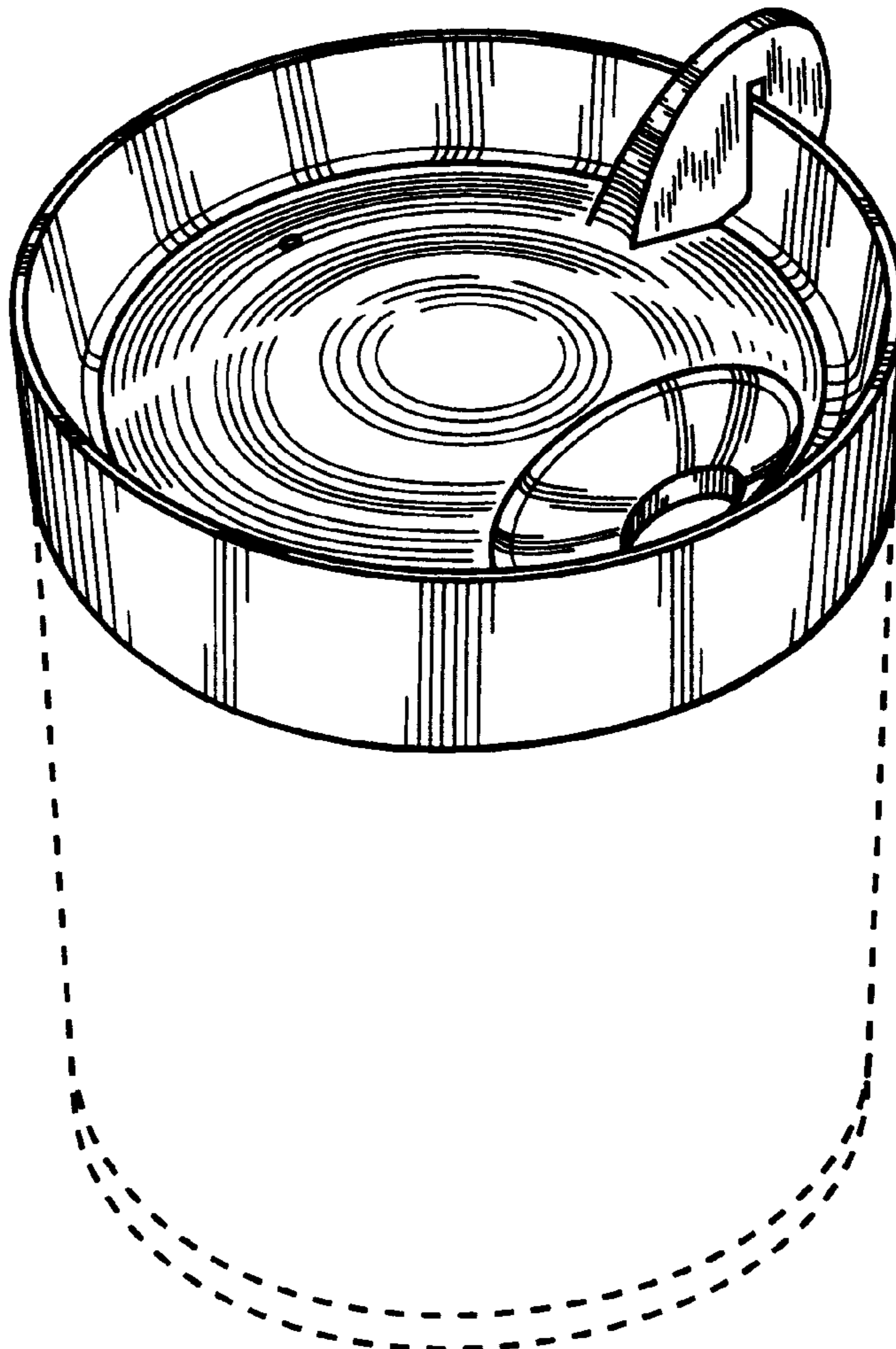
[57] **CLAIM**

The ornamental design for a mug lid, as shown and described.

DESCRIPTION

FIG. 1 is a front left side perspective view of my new design; FIG. 2 is a rear, right side perspective view; FIG. 3 is a top plan view; FIG. 4 is a bottom plan view; FIG. 5 is a rear elevational view; FIG. 6 is a front elevational view; FIG. 7 is a right side view; and, FIG. 8 is a left side view.

1 Claim, 3 Drawing Sheets



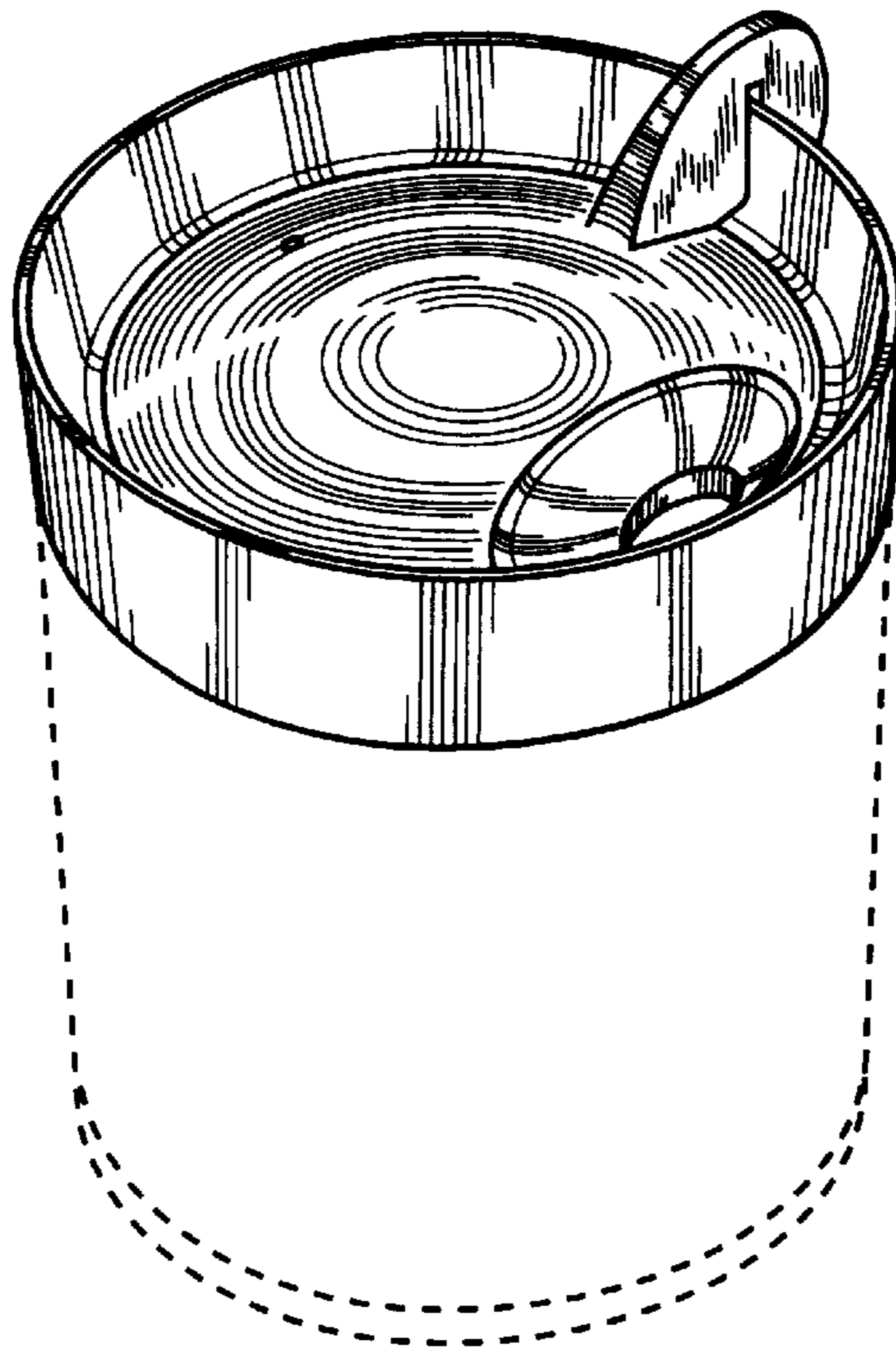


FIG. 1

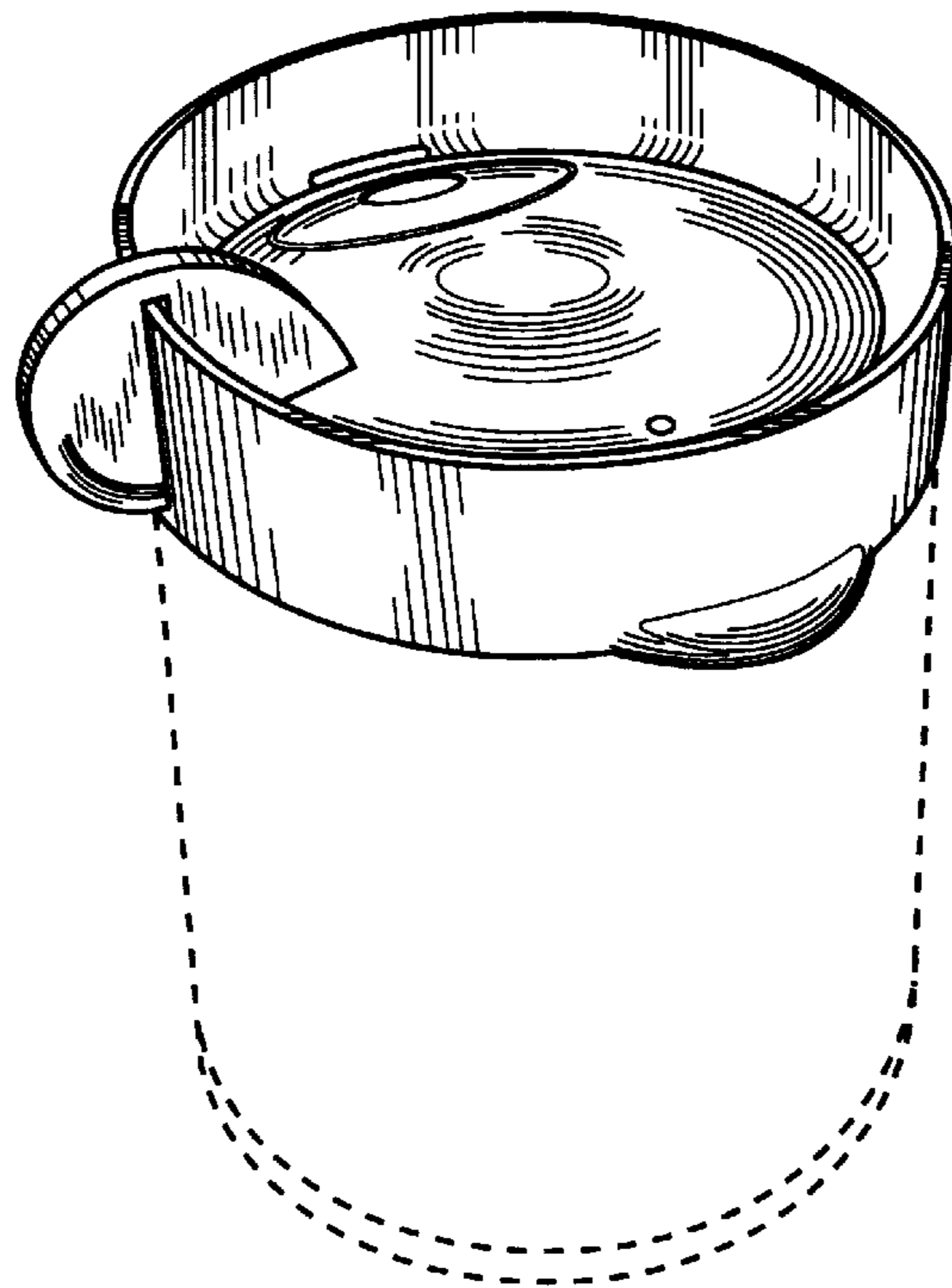


FIG. 2

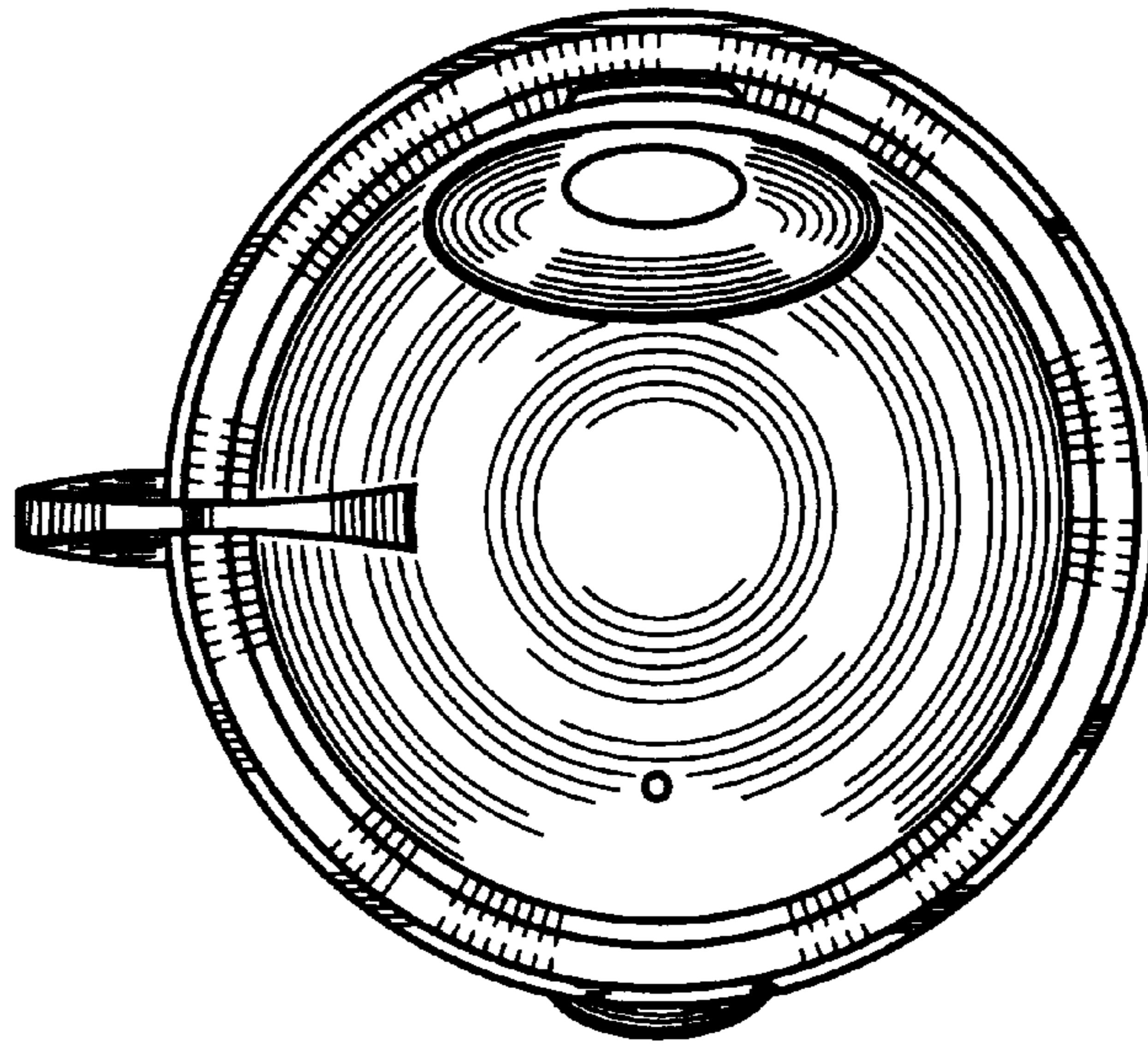


FIG. 3

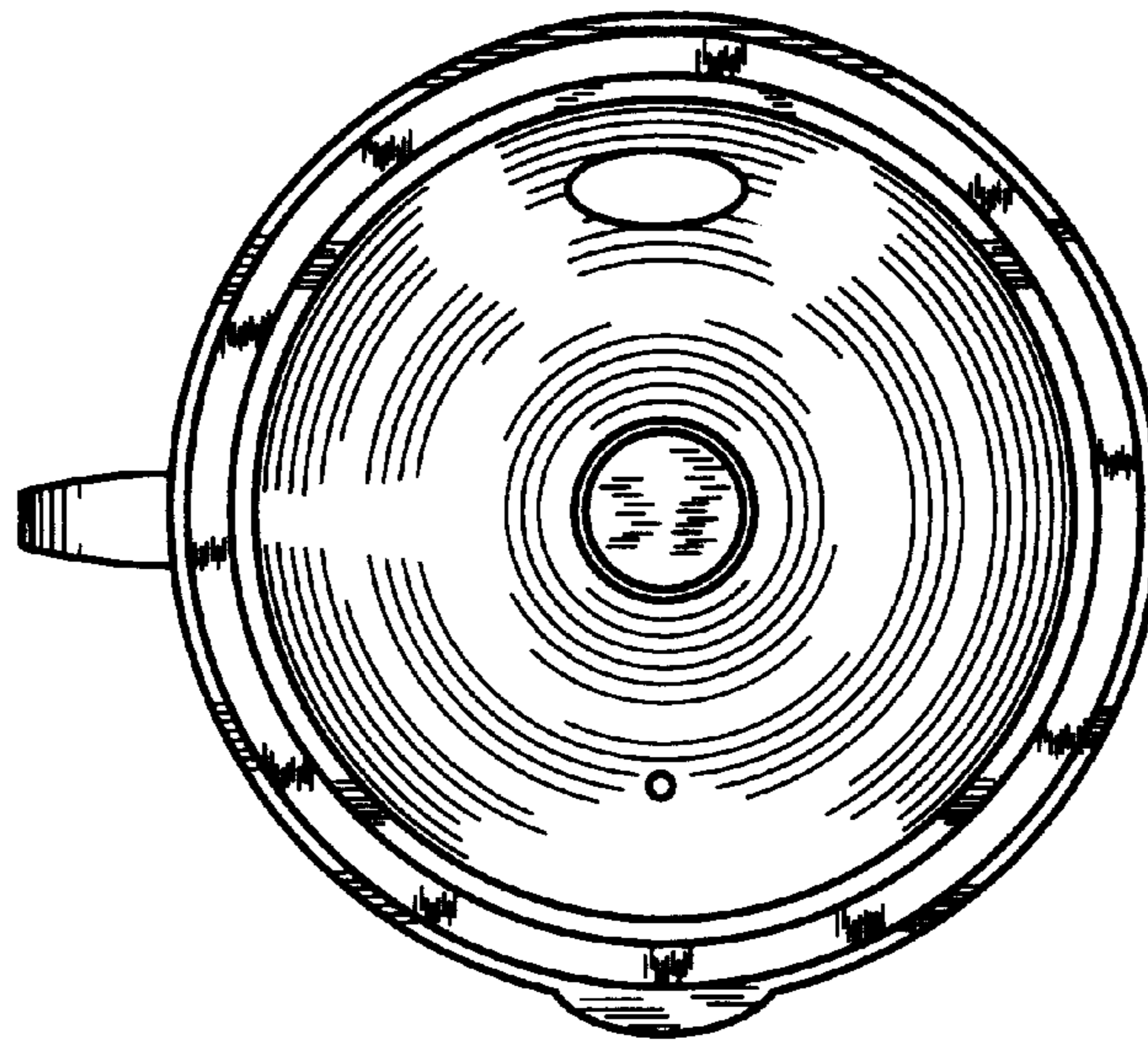


FIG. 4

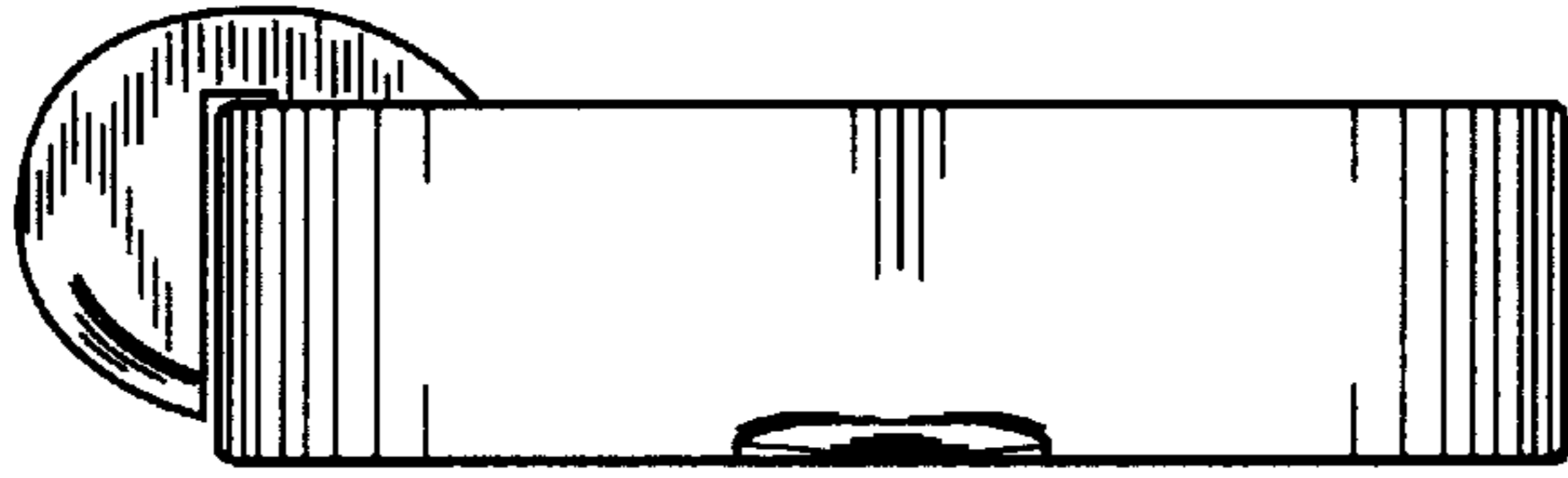


FIG. 5

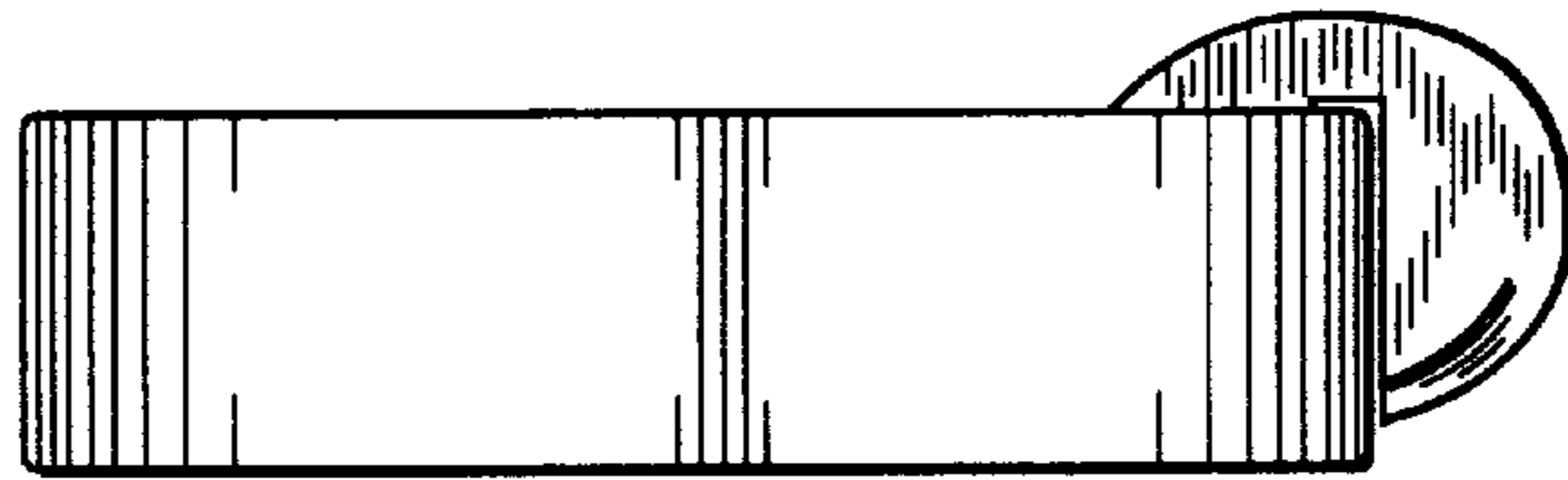


FIG. 6

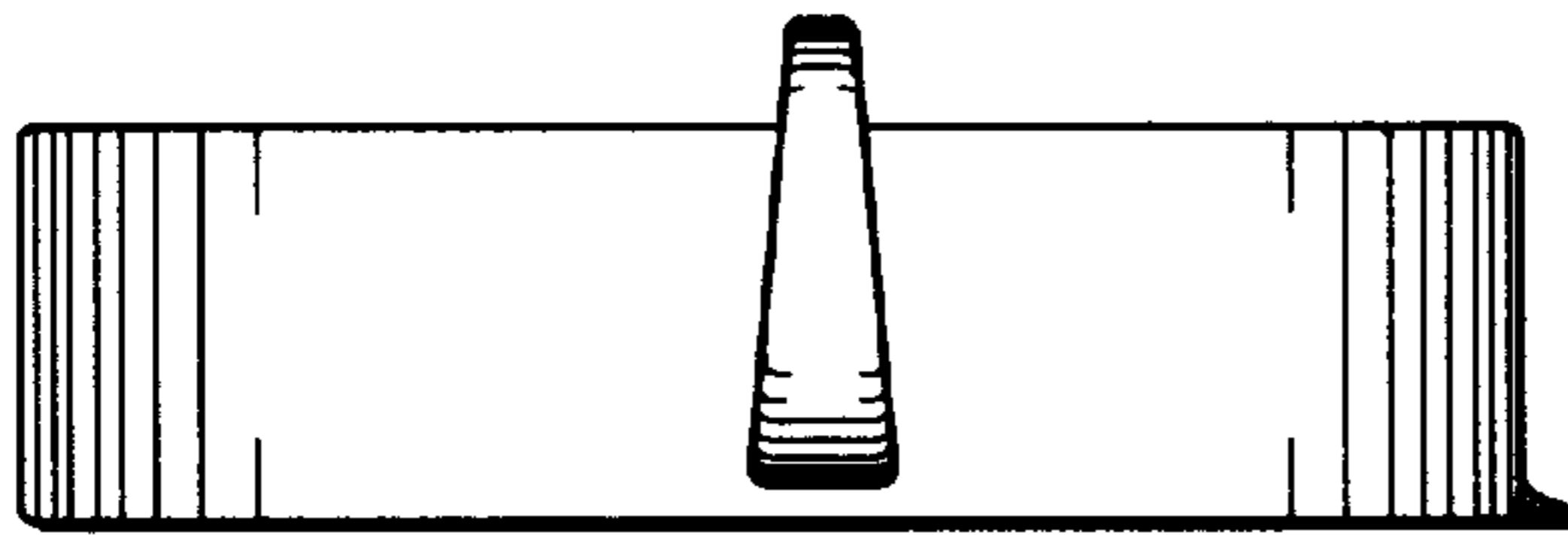


FIG. 7

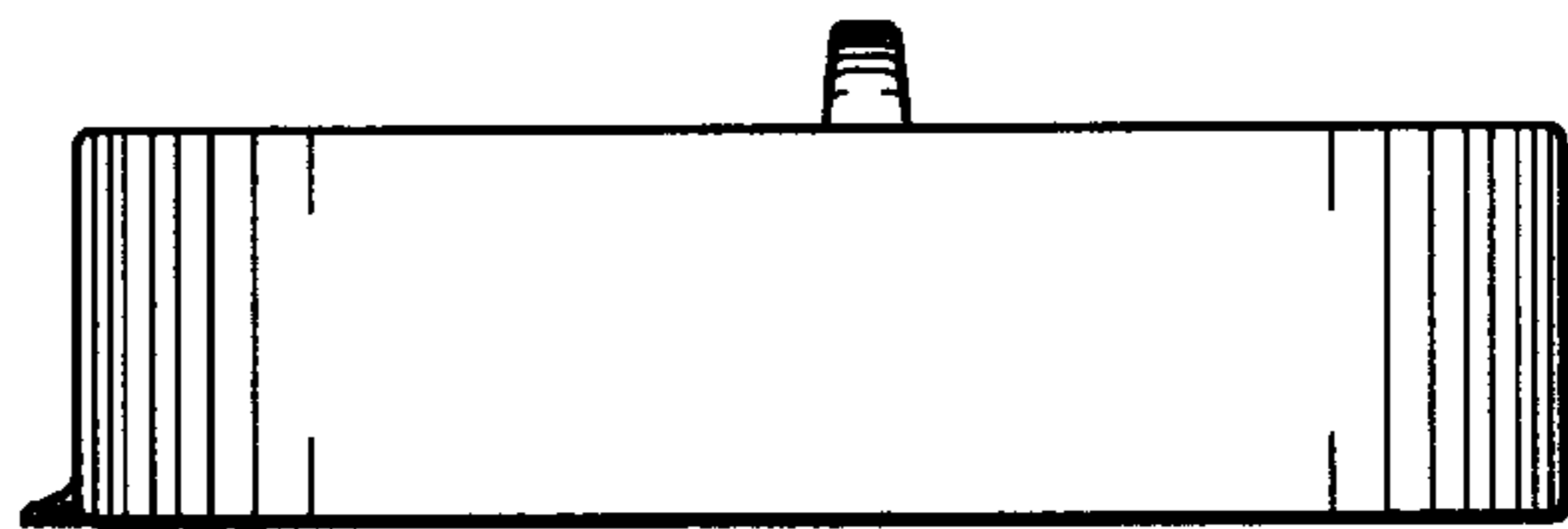


FIG. 8