



US00D431411S

# United States Patent [19] Chang

[11] **Patent Number: Des. 431,411**  
[45] **Date of Patent: \*\* Oct. 3, 2000**

[54] **ELECTRIC GRILL**  
[75] Inventor: **Chung Yuan Chang**, San Diego, Calif.  
[73] Assignee: **Mirama Enterprises, Inc.**, San Diego, Calif.  
[\*\*] Term: **14 Years**  
[21] Appl. No.: **29/106,988**  
[22] Filed: **Jun. 28, 1999**  
[51] **LOC (7) Cl.** ..... **07-02**  
[52] **U.S. Cl.** ..... **D7/362**  
[58] **Field of Search** ..... D7/362-367, 402;  
99/422, 425, 445-446, 450; 219/429, 432,  
433, 443.1, 450.1, 451.1

D. 358,737 5/1995 Mendelson et al. .... D7/362  
D. 359,652 6/1995 Mendelson et al. .... D7/362  
D. 403,554 1/1999 Asbury ..... D7/362  
3,785,274 1/1974 Yamamoto ..... 99/425  
5,839,361 11/1998 Richter ..... 99/422  
5,970,858 10/1999 Boehm et al. .... 99/446

*Primary Examiner*—Ruth McInroy  
*Attorney, Agent, or Firm*—Frank D. Gilliam

### [57] CLAIM

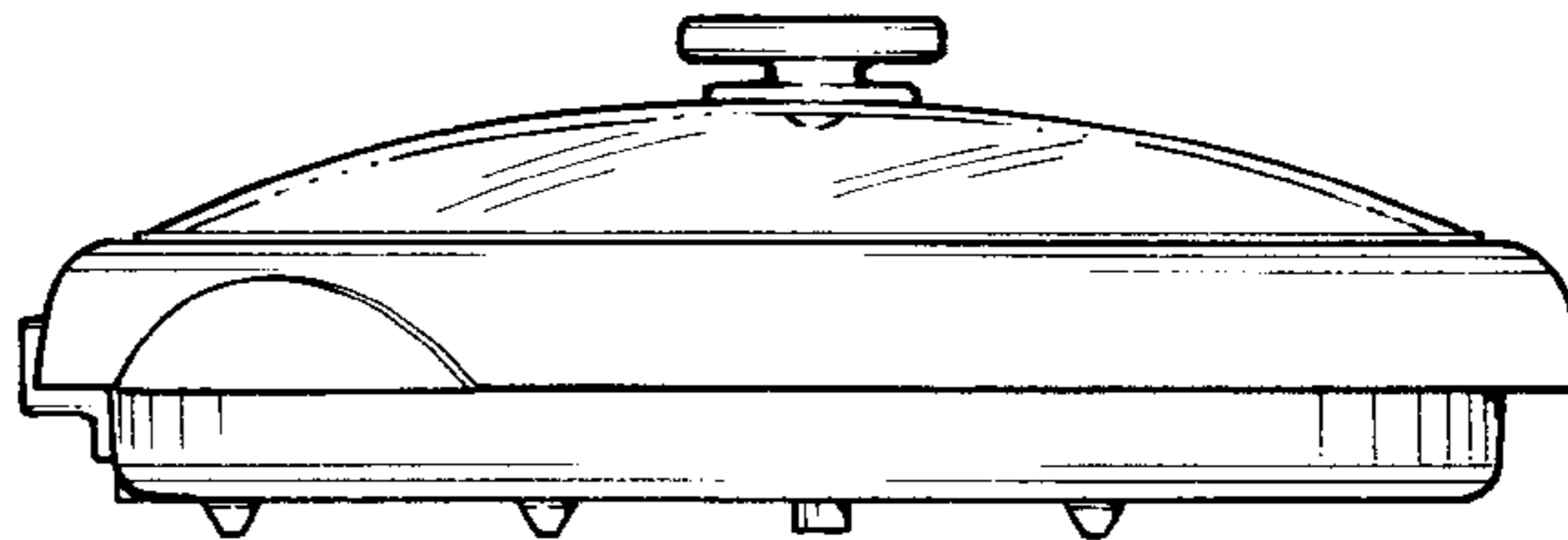
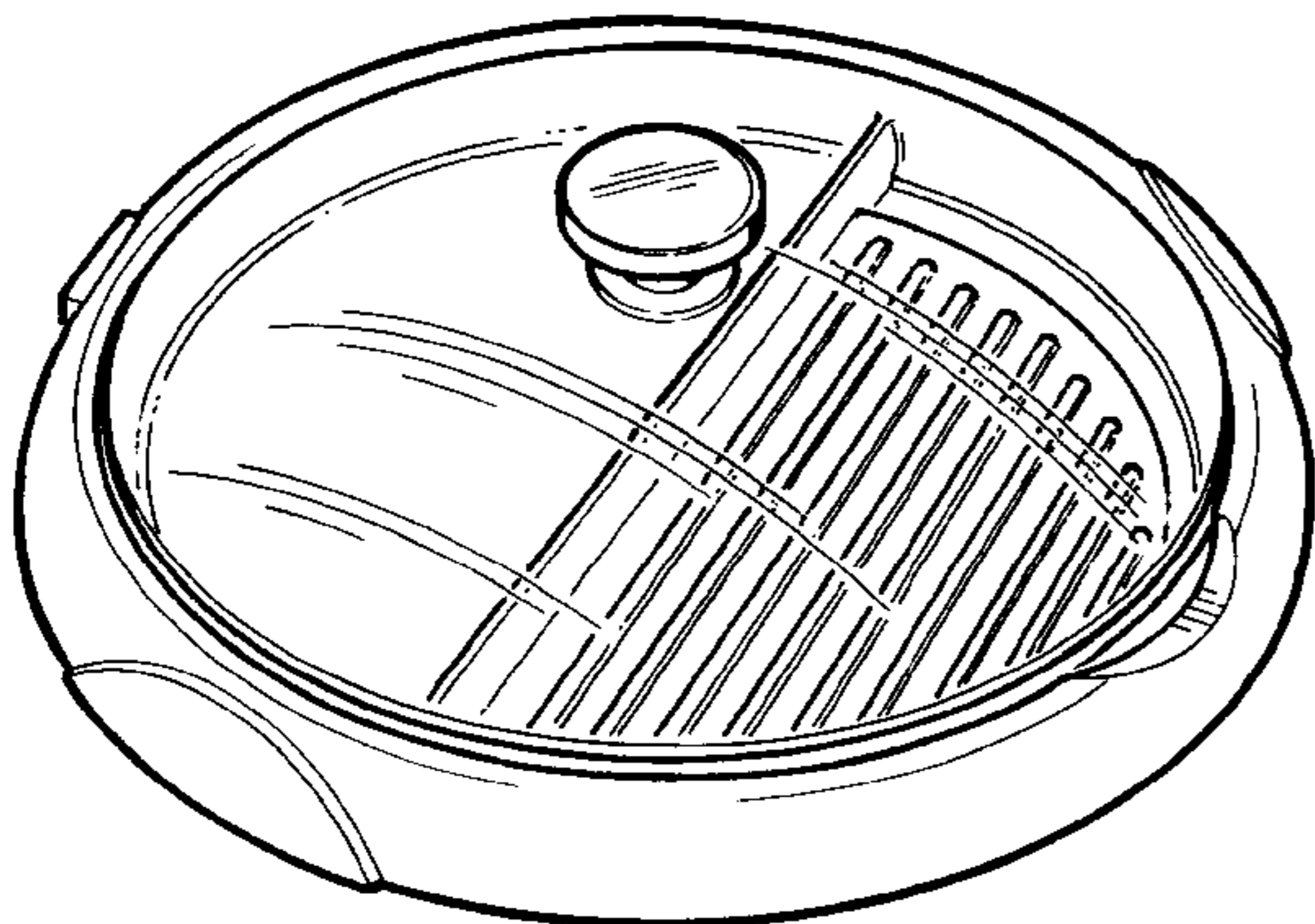
The ornamental design for a electric grill, as shown and described.

### DESCRIPTION

FIG. 1 is a perspective top and side view of a grill showing my new design;  
FIG. 2 is a top plan view thereof;  
FIG. 3 is a side elevation view thereof;  
FIG. 4 is a bottom plan view thereof;  
FIG. 5 is another side elevation view thereof;  
FIG. 6 is the opposite side of FIG. 5; and,  
FIG. 7 is the opposite side of FIG. 3.

**1 Claim, 2 Drawing Sheets**

[56] **References Cited**  
U.S. PATENT DOCUMENTS  
D. 250,627 12/1978 McNair et al. .... D7/363  
D. 327,807 7/1992 Jung ..... D7/387  
D. 336,009 6/1993 Tringali et al. .... D7/367



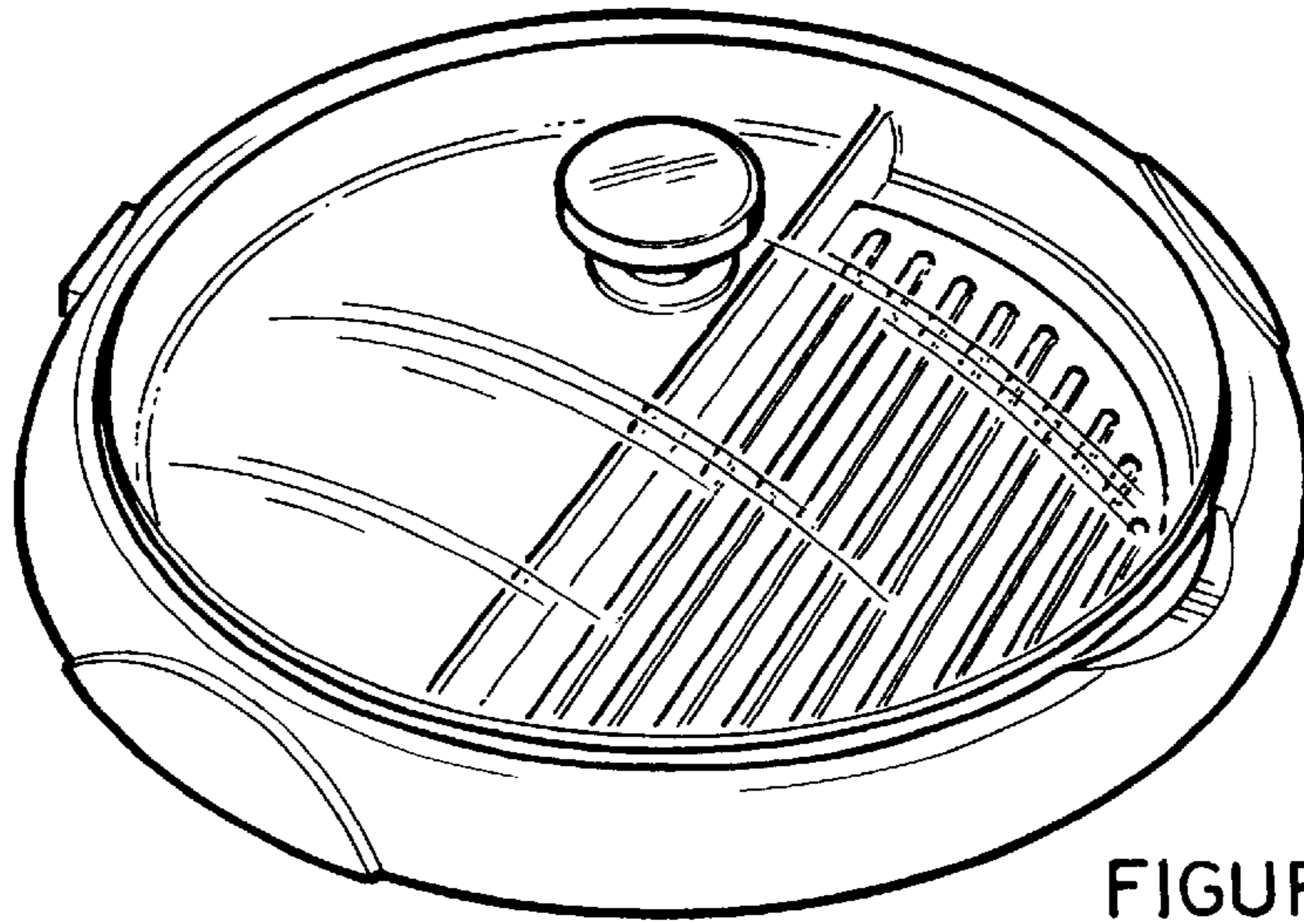


FIGURE 1

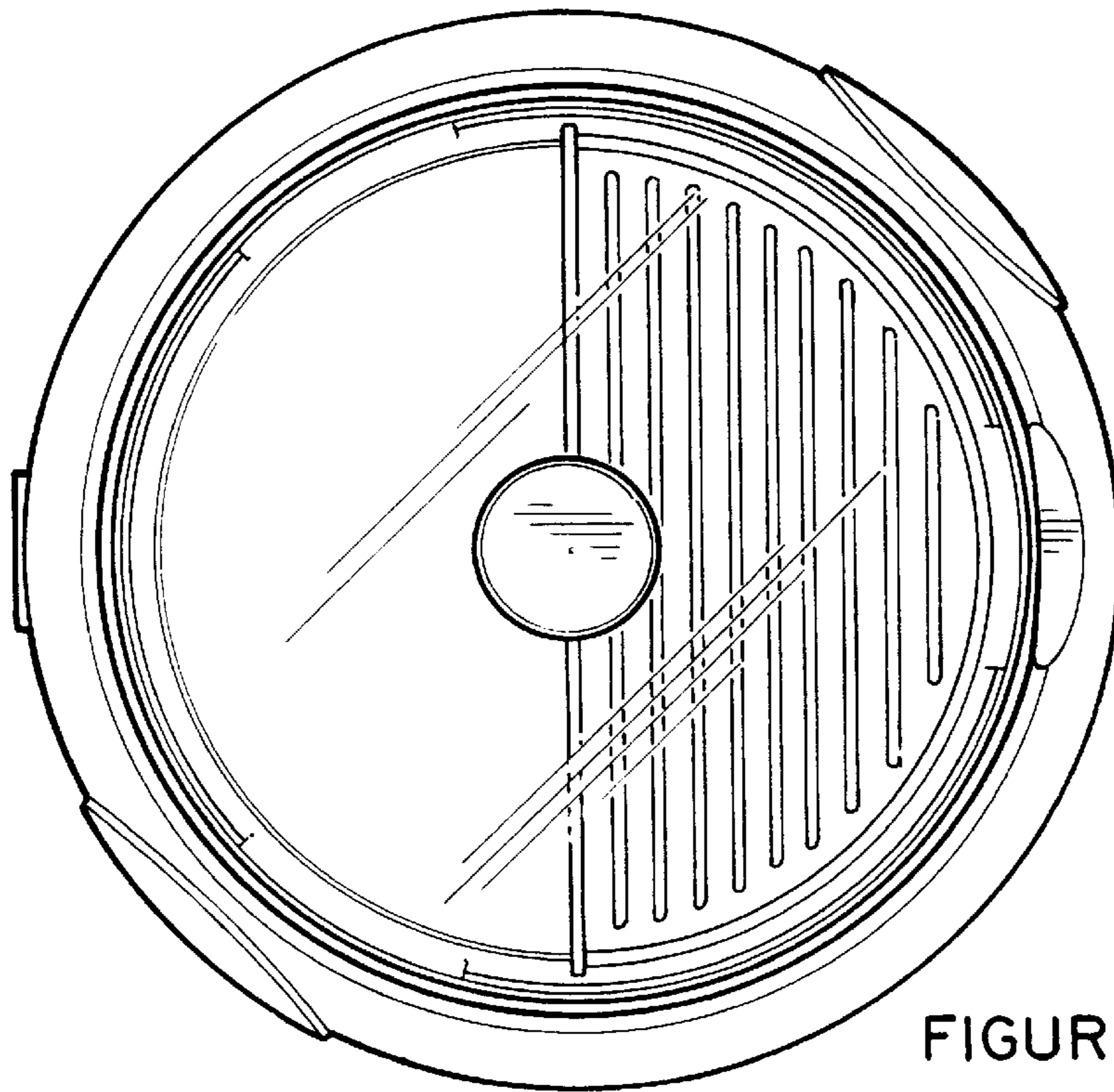


FIGURE 2

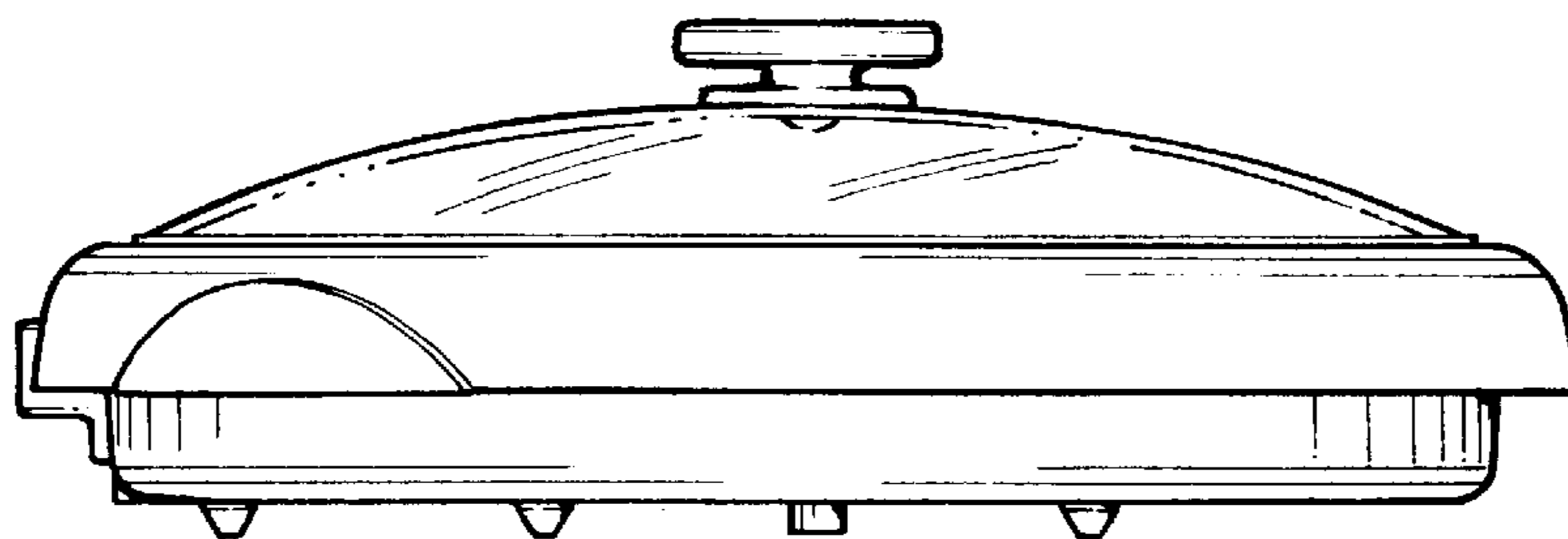


FIGURE 3

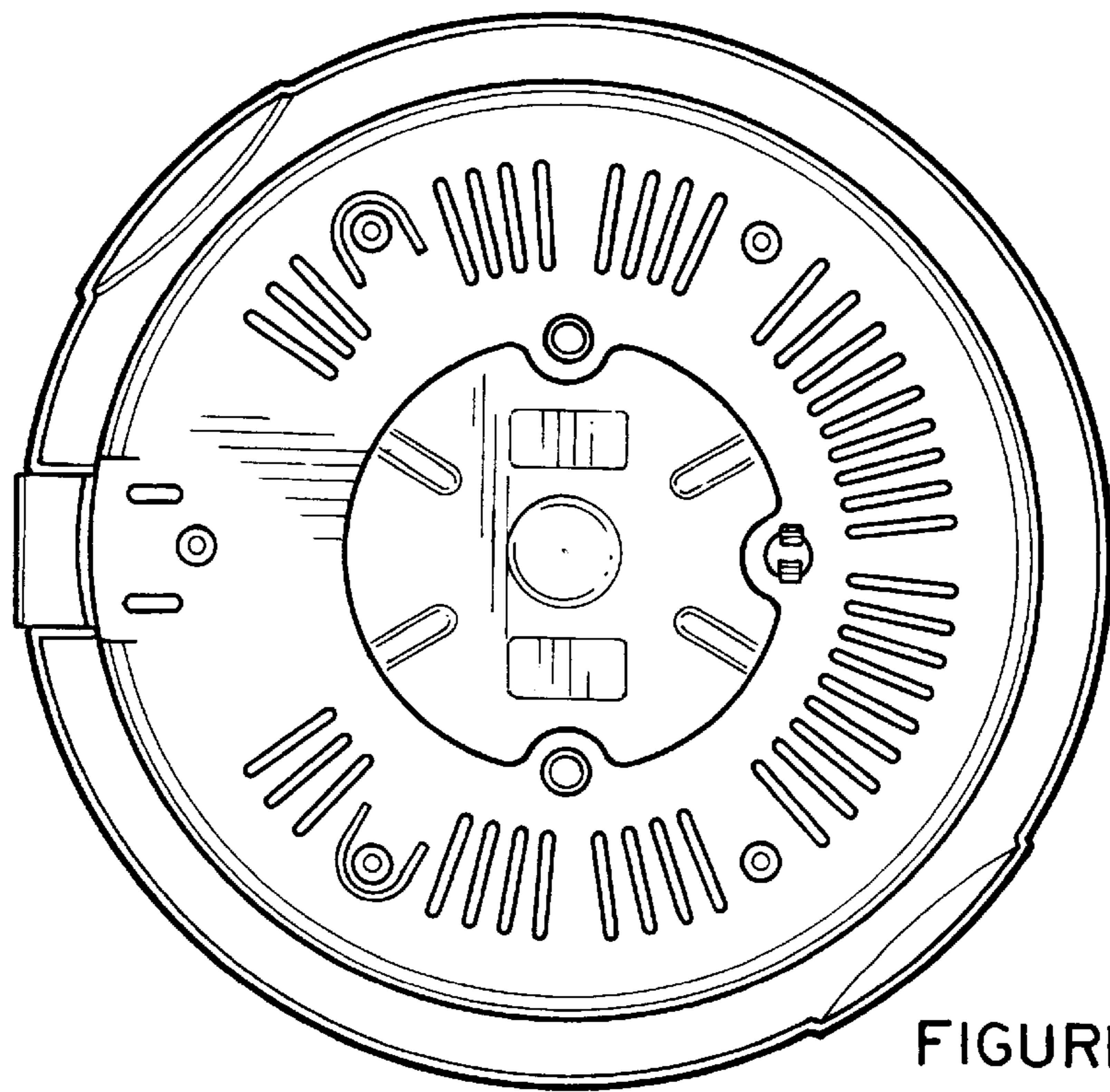


FIGURE 4

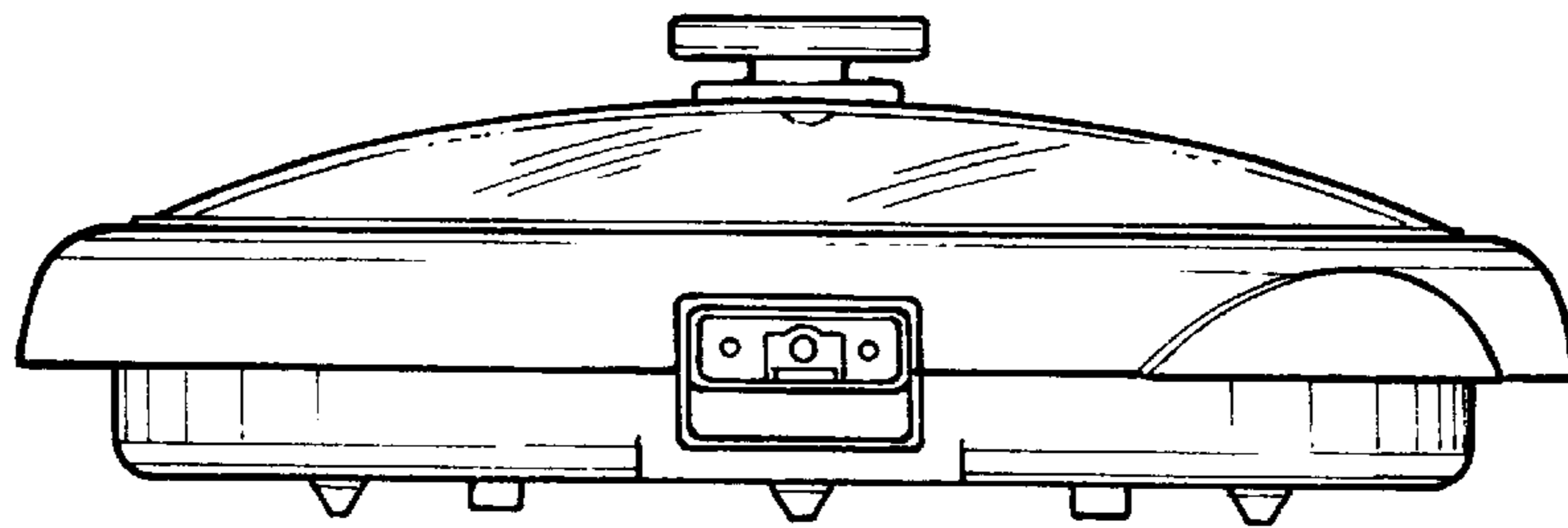


FIGURE 5

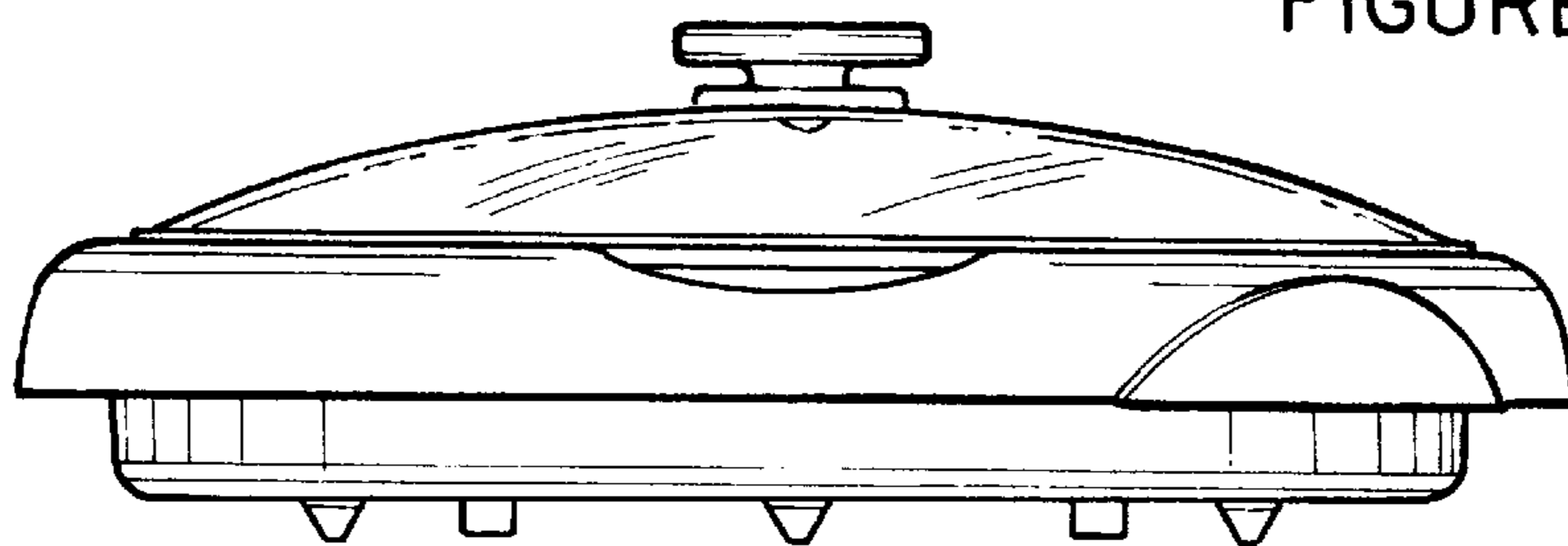


FIGURE 6

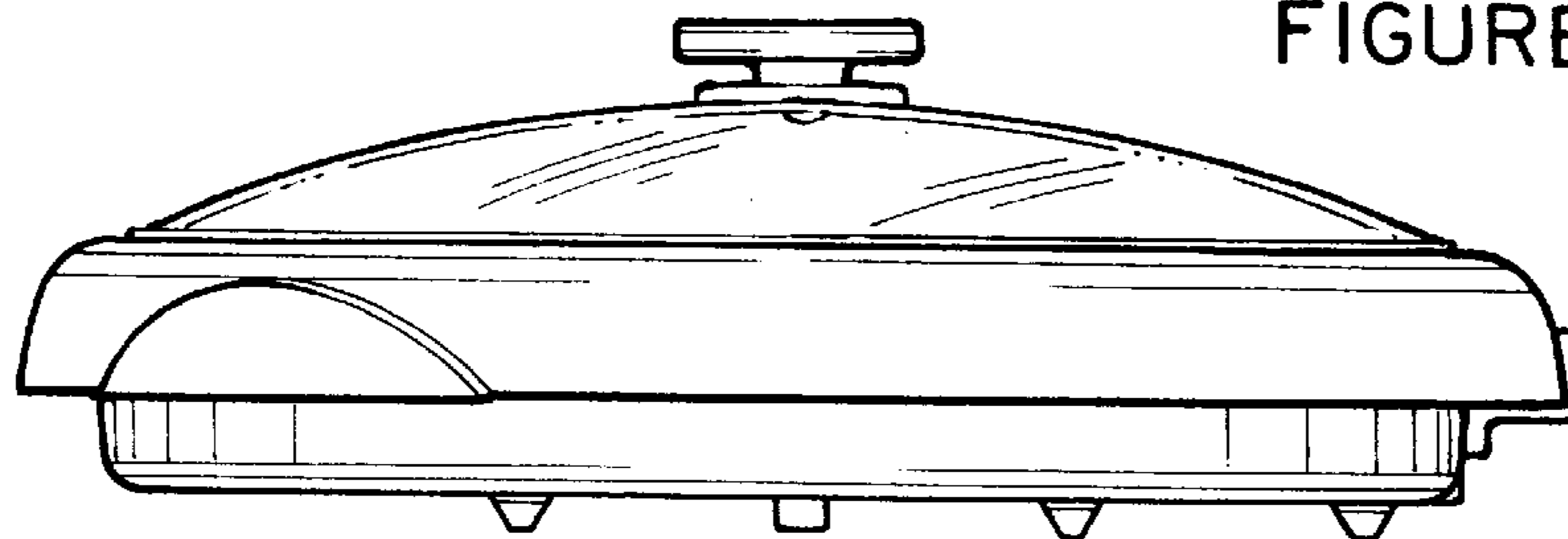


FIGURE 7