



US00D431410S

United States Patent [19] Huang

[11] Patent Number: **Des. 431,410**

[45] Date of Patent: **** Oct. 3, 2000**

[54] **VACUUM BOTTLE**

[76] Inventor: **Frank Teh-Hsiung Huang**, Suite 804,
No. 128, Sec. 3, Ming-Sheng E. Rd.,
Taipei, Taiwan

[**] Term: **14 Years**

[21] Appl. No.: **29/117,504**

[22] Filed: **Jan. 28, 2000**

[51] **LOC (7) Cl.** **07-01**

[52] **U.S. Cl.** **D7/313; D7/608**

[58] **Field of Search** D7/605, 608, 312,
D7/313, 320; 62/457.1; 99/275, 279, 306,
312; 215/12.1, 12.2, 13.1; 222/209, 326,
465.1, 472, 475.1

[56] **References Cited**

U.S. PATENT DOCUMENTS

D. 274,685 7/1984 Ohmoto D7/313
D. 296,975 8/1988 Nakagawa et al. D7/320

D. 323,265 1/1992 Lu D7/608 X
D. 394,778 6/1998 Arns et al. D7/313
4,464,983 8/1984 Chappell et al. 99/312

Primary Examiner—Terry A. Wallace
Attorney, Agent, or Firm—Bacon & Thomas, PLLC

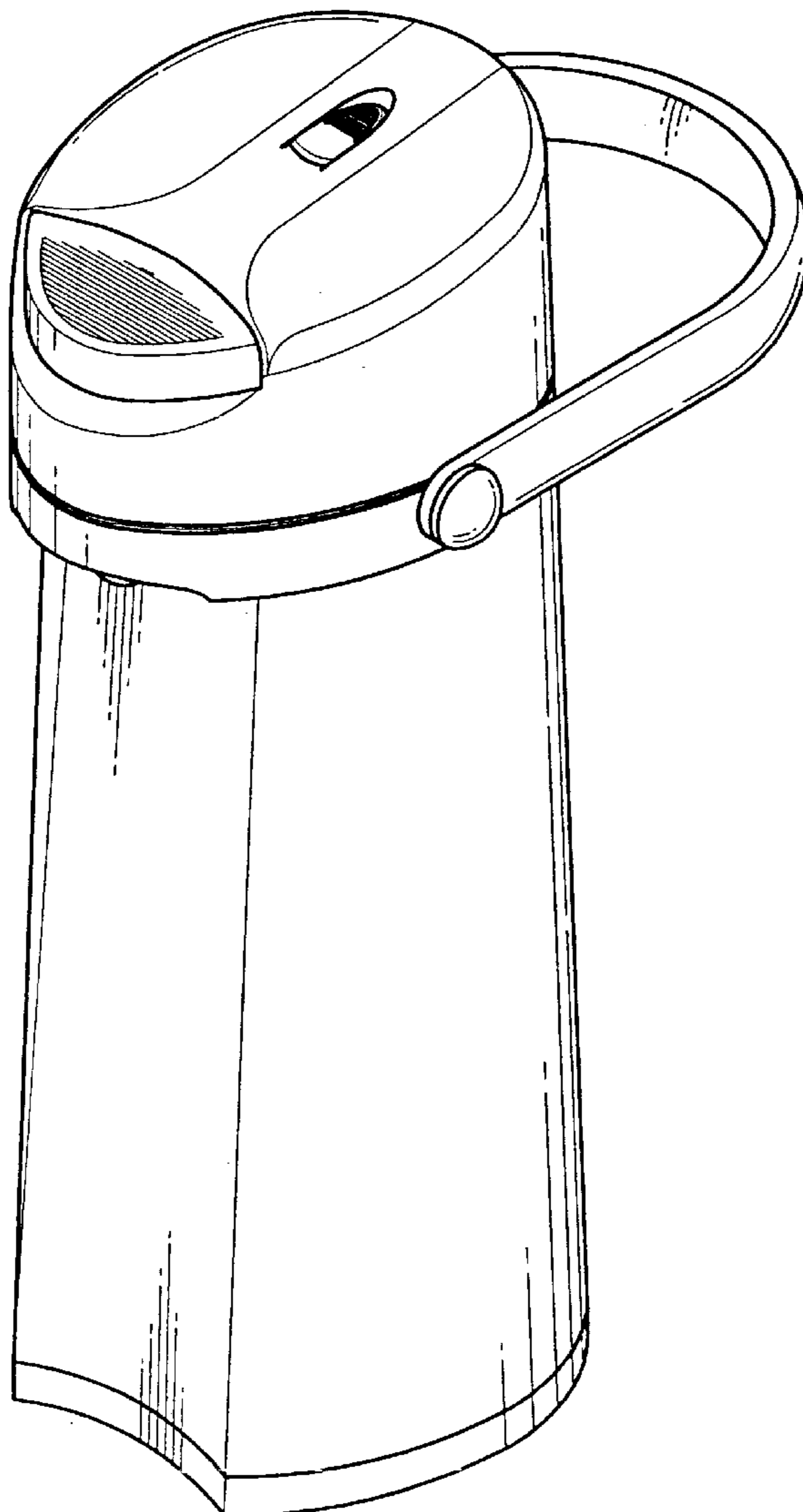
[57] **CLAIM**

The ornamental design for vacuum bottle, as shown and described.

DESCRIPTION

FIG. 1 is a perspective view of vacuum bottle showing my new design thereof;
FIG. 2 is a right side elevational view thereof;
FIG. 3 is a top plan view thereof;
FIG. 4 is a front elevational view thereof;
FIG. 5 is a bottom plan view thereof;
FIG. 6 is a left side elevational view thereof; and,
FIG. 7 is a rear elevational view thereof.

1 Claim, 6 Drawing Sheets



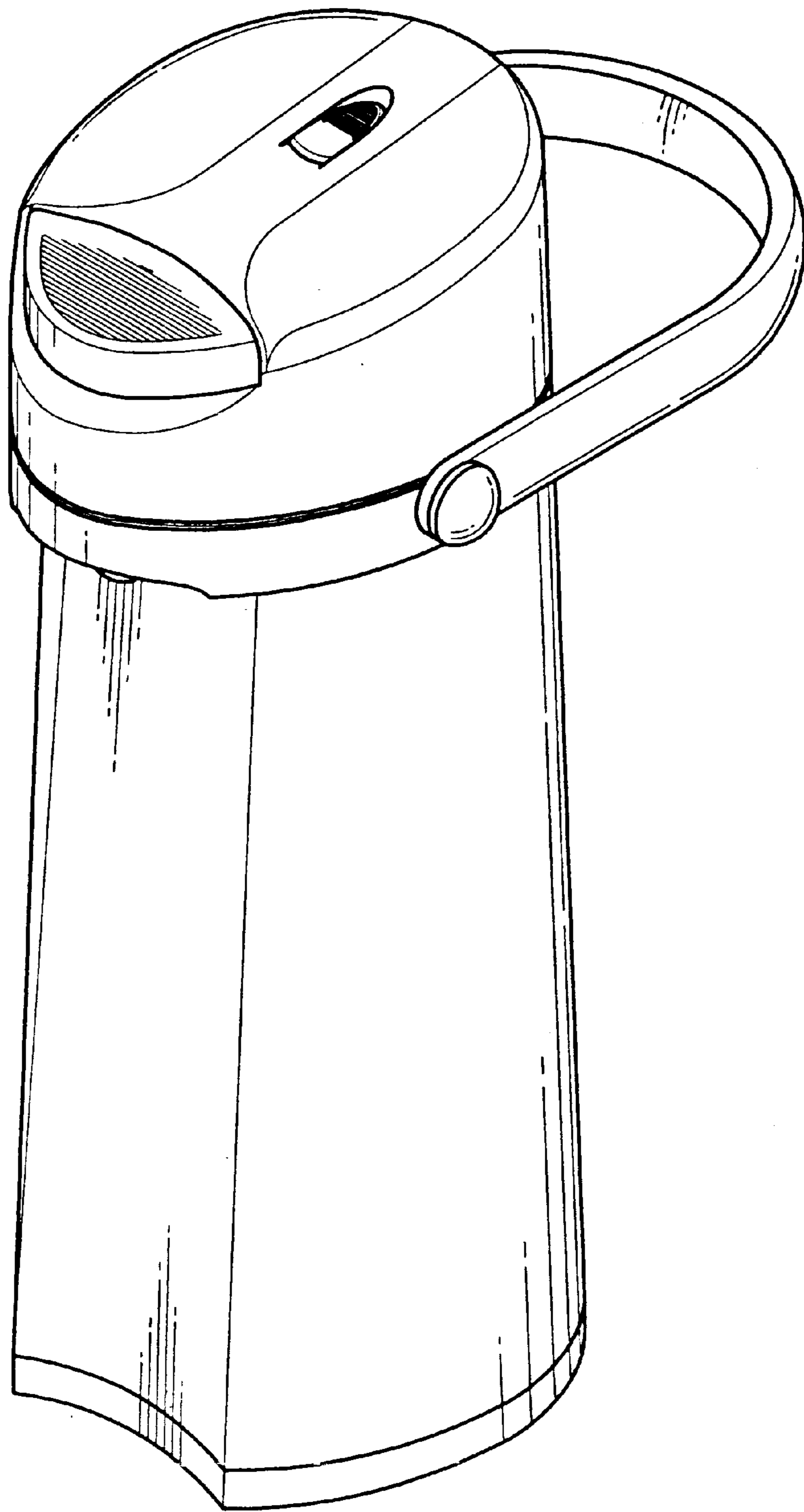


Fig. 1

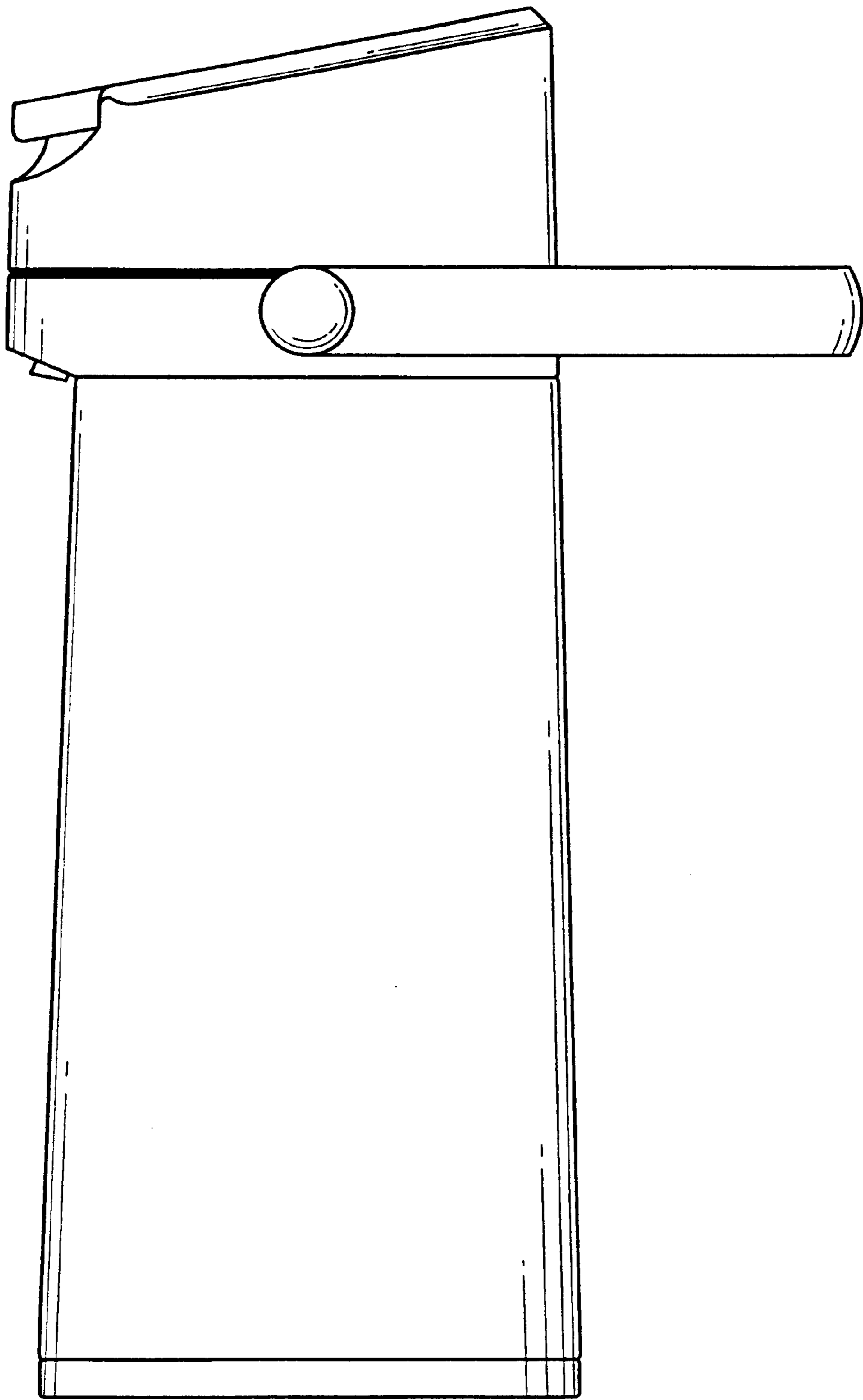


Fig. 2

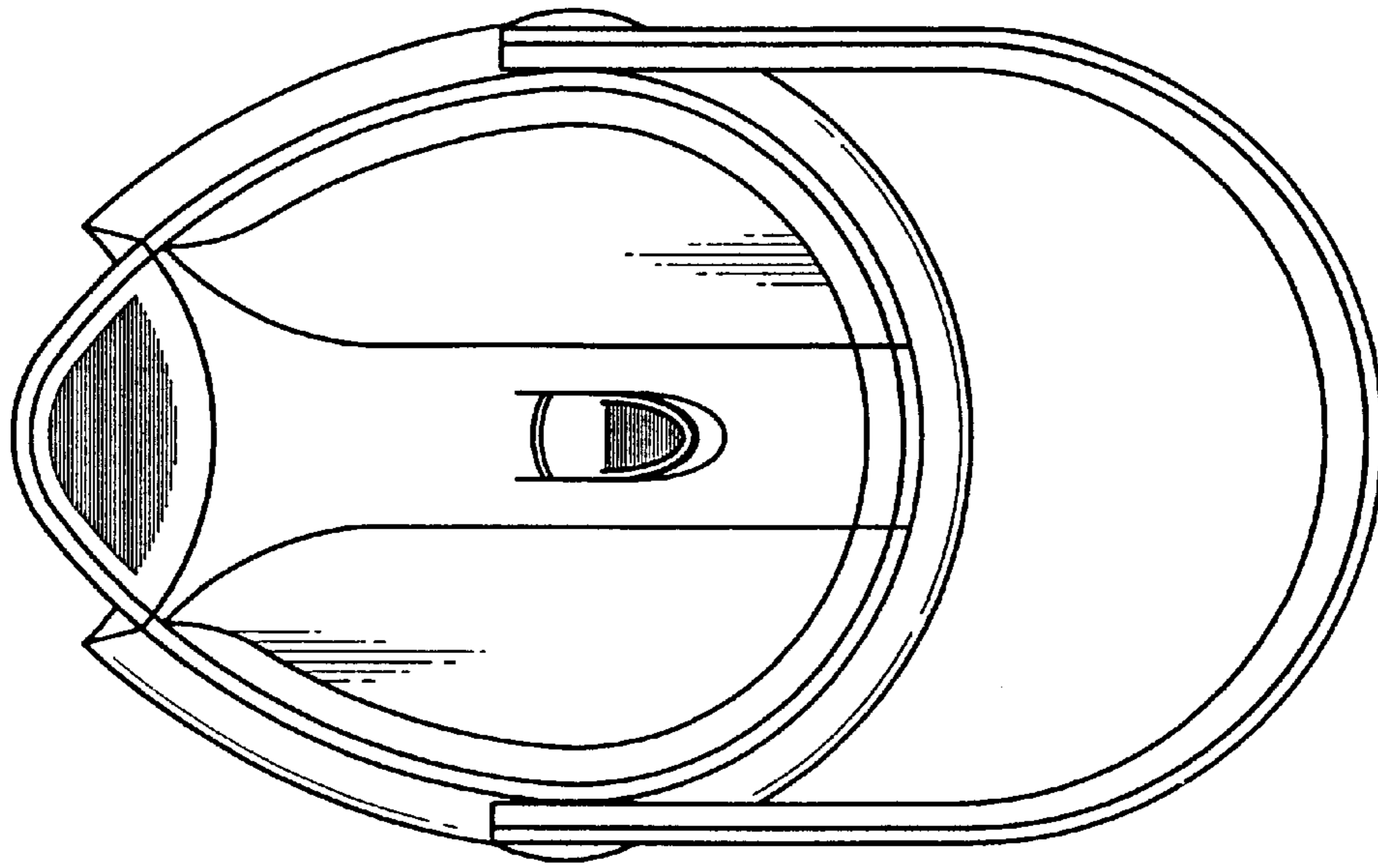


Fig. 3

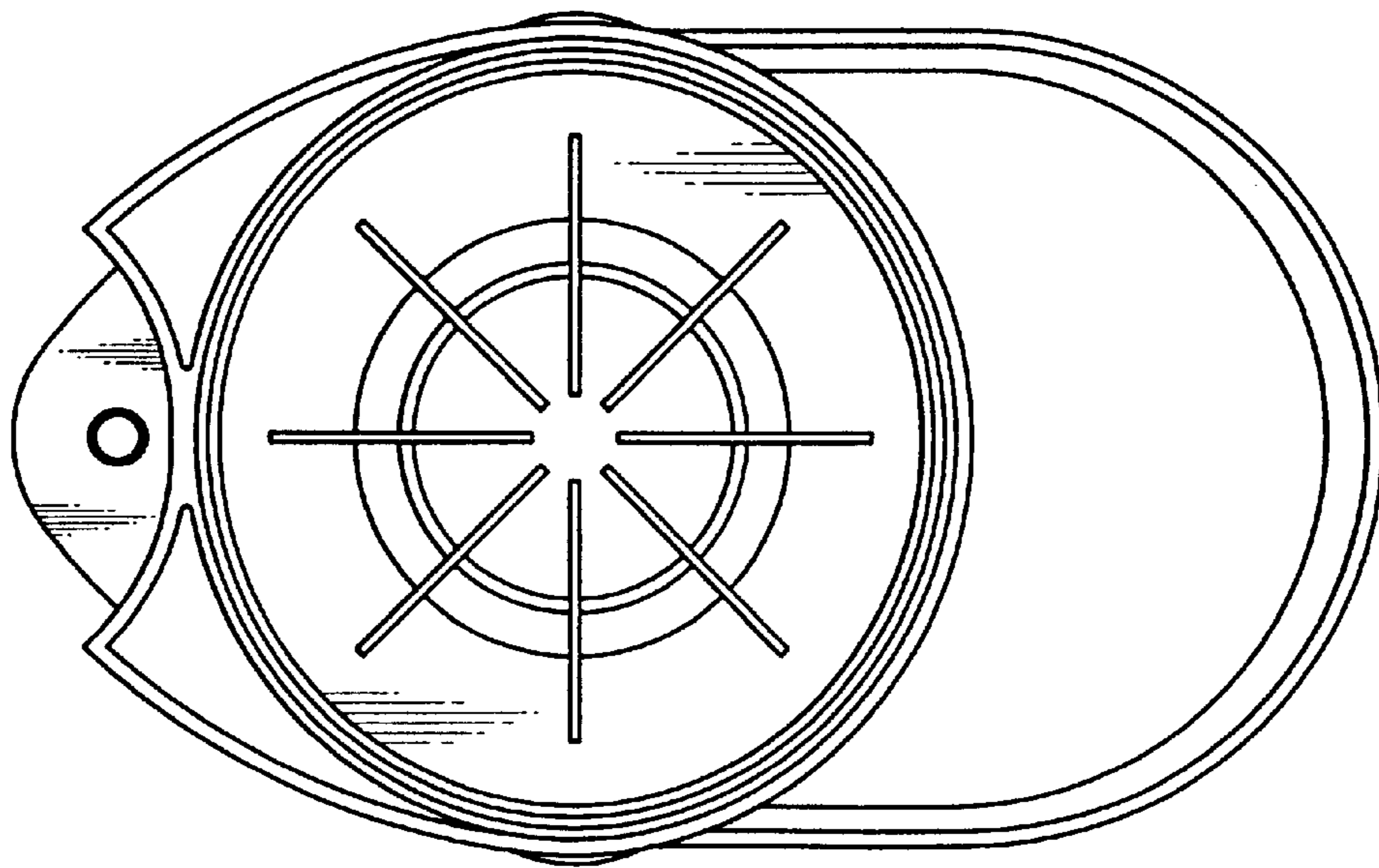


Fig. 5

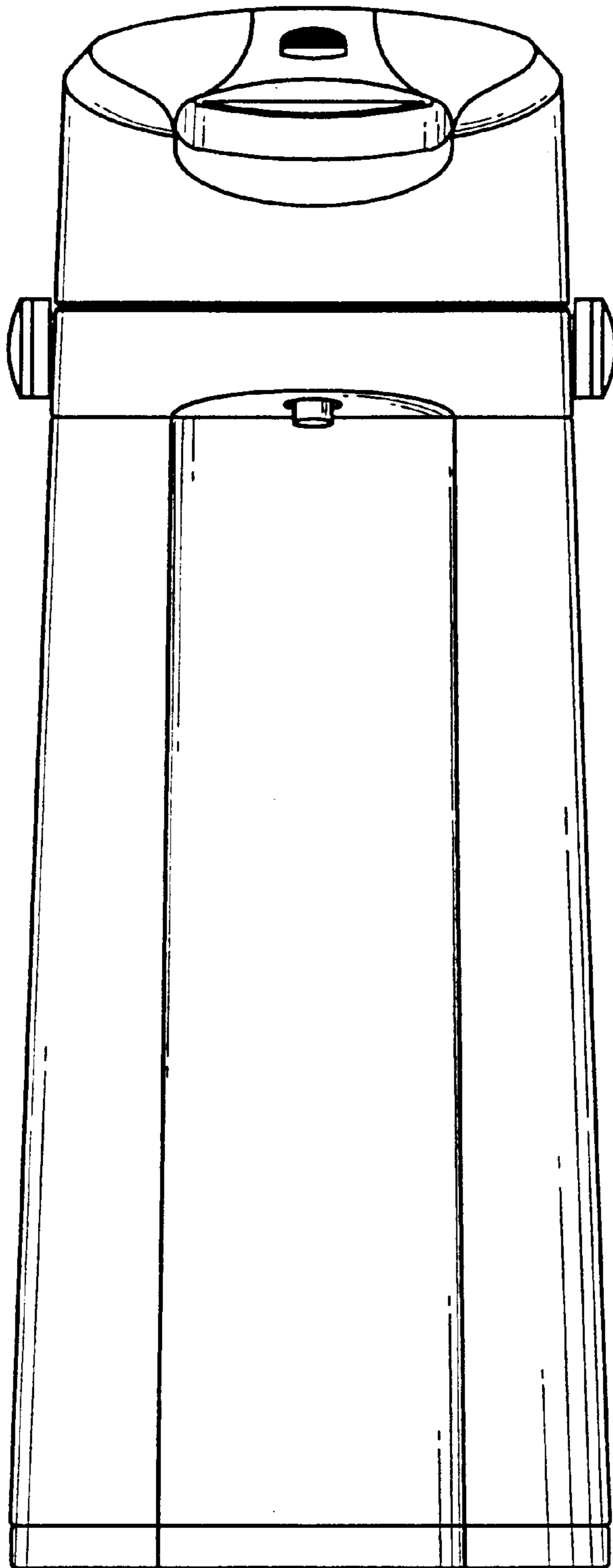


Fig. 4

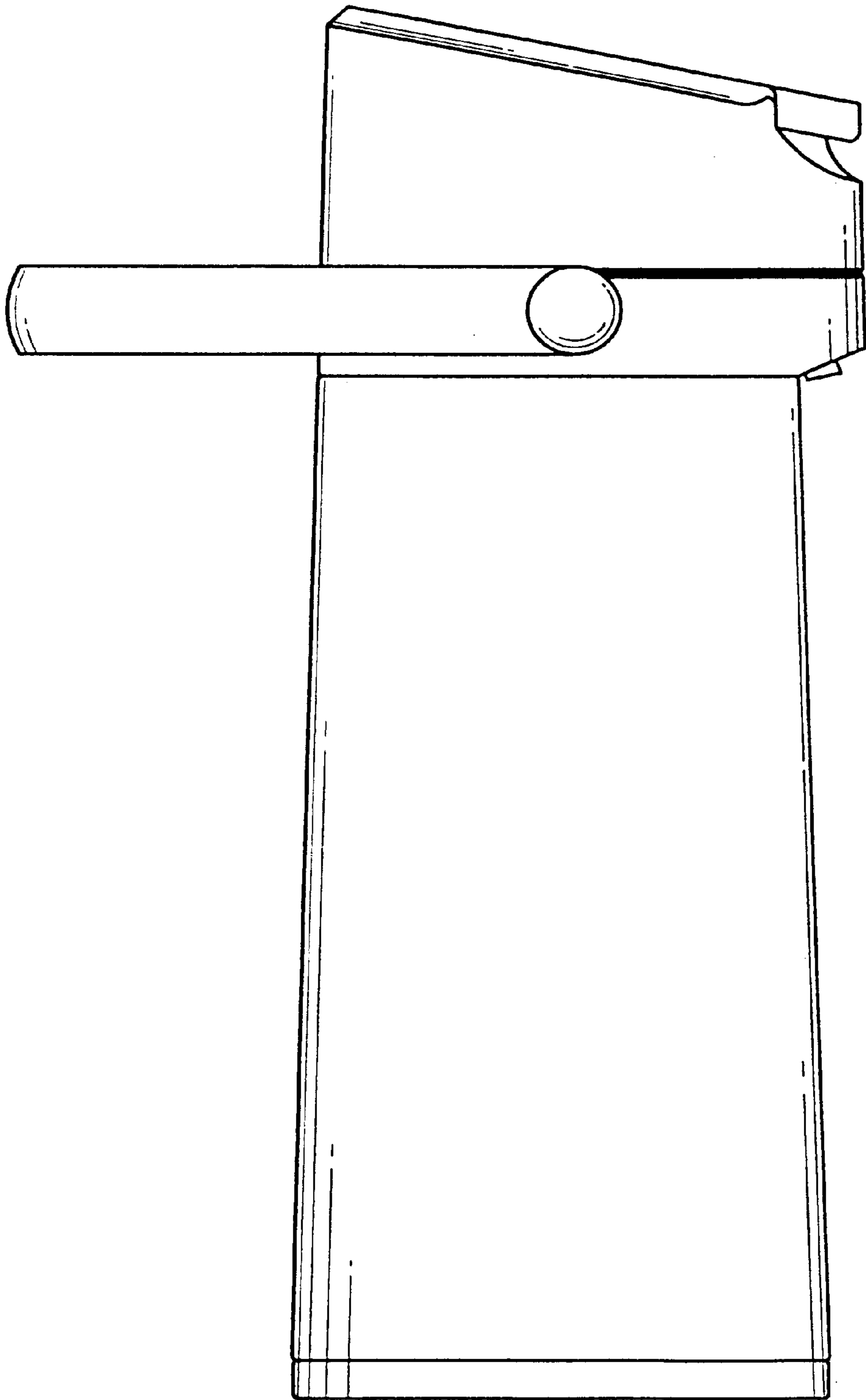


Fig. 6

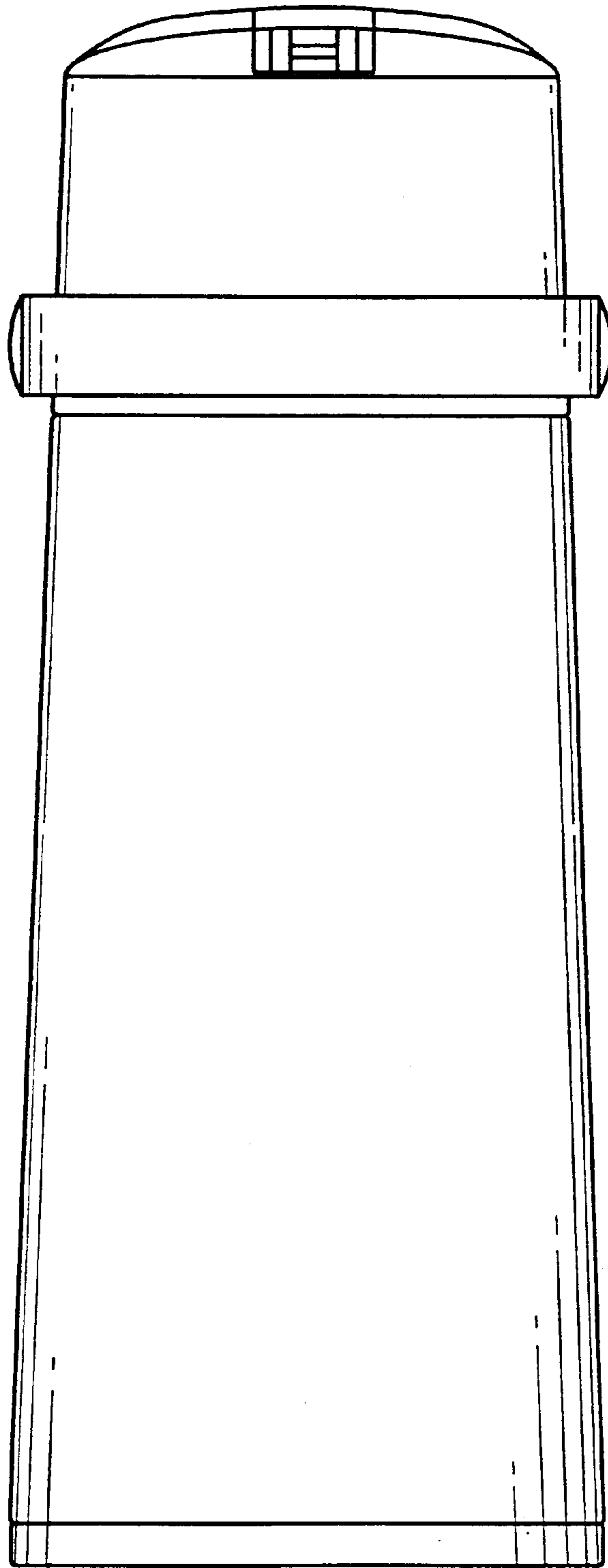


Fig. 7