



US00D431409S

# United States Patent [19] Man

[11] **Patent Number: Des. 431,409**

[45] **Date of Patent: \*\* Oct. 3, 2000**

[54] **COFFEE MAKER**

[75] **Inventor: Yi Kuen Man**, Hong Kong, The Hong Kong Special Administrative Region of the People's Republic of China

[73] **Assignee: Panatone Licensing LTD**, Tortola, Virgin Islands (Br.)

[\*\*] **Term: 14 Years**

[21] **Appl. No.: 29/102,693**

[22] **Filed: Mar. 30, 1999**

[51] **LOC (7) Cl. .... 07-01**

[52] **U.S. Cl. .... D7/309; D7/310; D7/311**

[58] **Field of Search .... D7/307, 310, 311, D7/300, 305; 222/129; 210/455; 219/438; 99/304, 283, 279**

[56] **References Cited**

**U.S. PATENT DOCUMENTS**

D. 295,486 5/1988 Eugster et al. .... D7/309  
D. 382,437 8/1997 Amiel .... D7/309

D. 397,904 9/1998 Longhi ..... D7/309  
D. 408,681 4/1999 Lin ..... D7/309  
D. 409,432 5/1999 O'Keefe ..... D7/309  
D. 417,580 12/1999 Fusi ..... D7/309

*Primary Examiner*—M. N. Pandozzi  
*Attorney, Agent, or Firm*—David G. Parkhurst; Fulwider, Patton, Lee & Utecht

[57] **CLAIM**

The ornamental design for a coffee maker, as shown.

**DESCRIPTION**

FIG. 1 is a left front perspective view of a coffee maker showing my new design;  
FIG. 2 is a front view thereof;  
FIG. 3 is a left side elevational view thereof;  
FIG. 4 is a right side elevational view thereof;  
FIG. 5 is a rear view thereof;  
FIG. 6 is a top plan view thereof; and,  
FIG. 7 is a bottom plan view thereof.  
The broken lines in FIG. 1 are for illustrative purposes only and form no part of the claimed design.

**1 Claim, 4 Drawing Sheets**

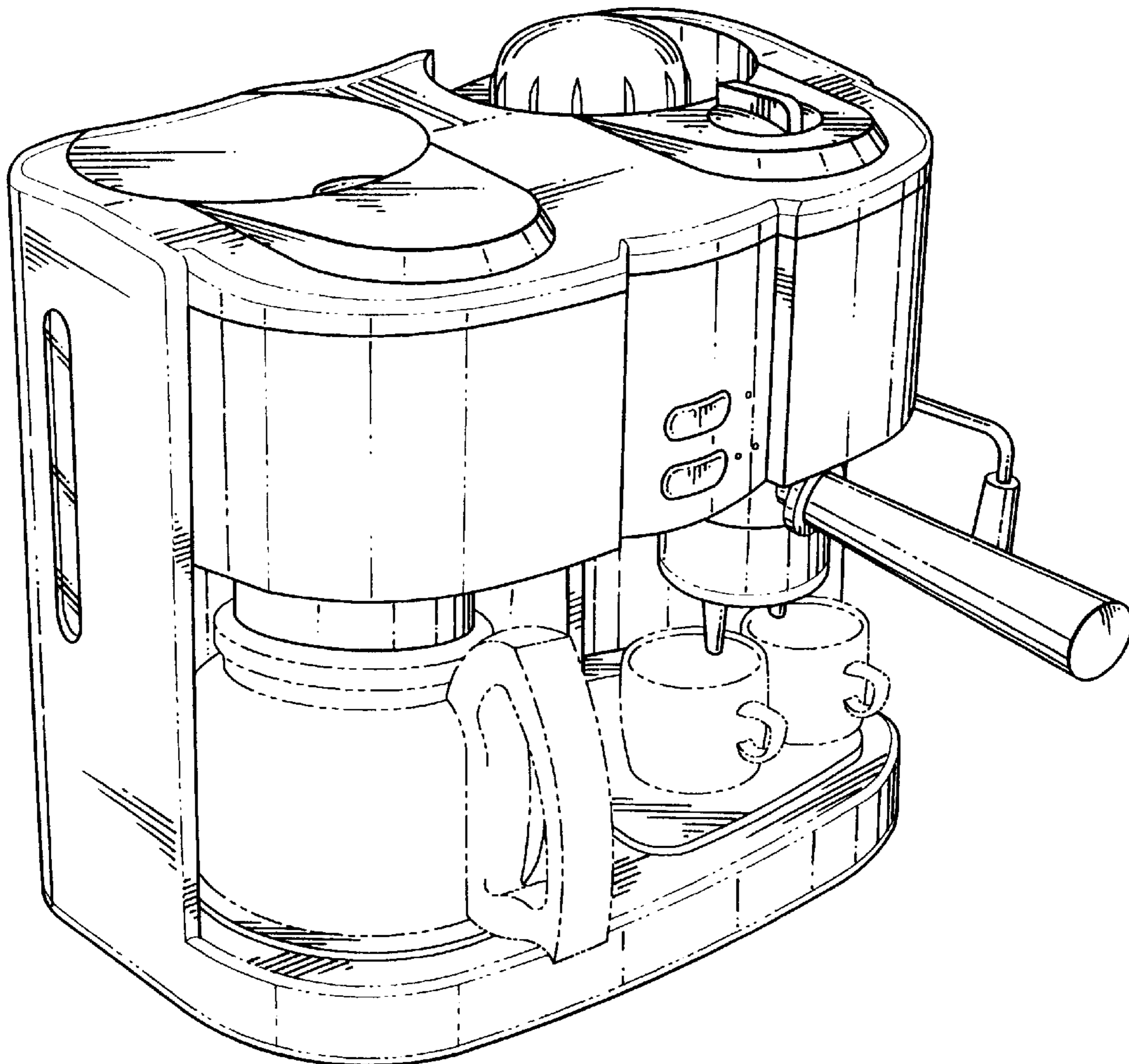


FIG. 1

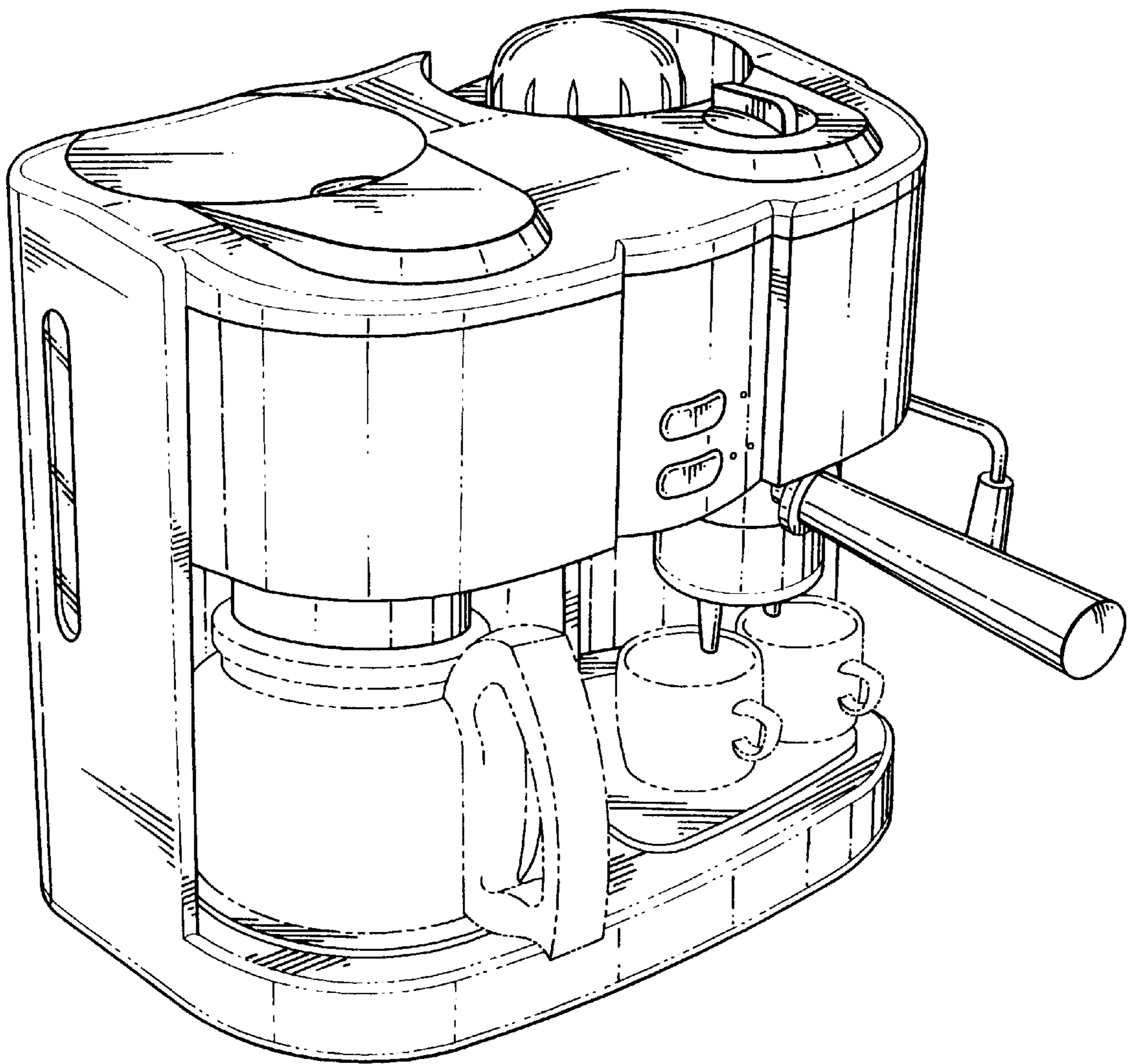


FIG. 2

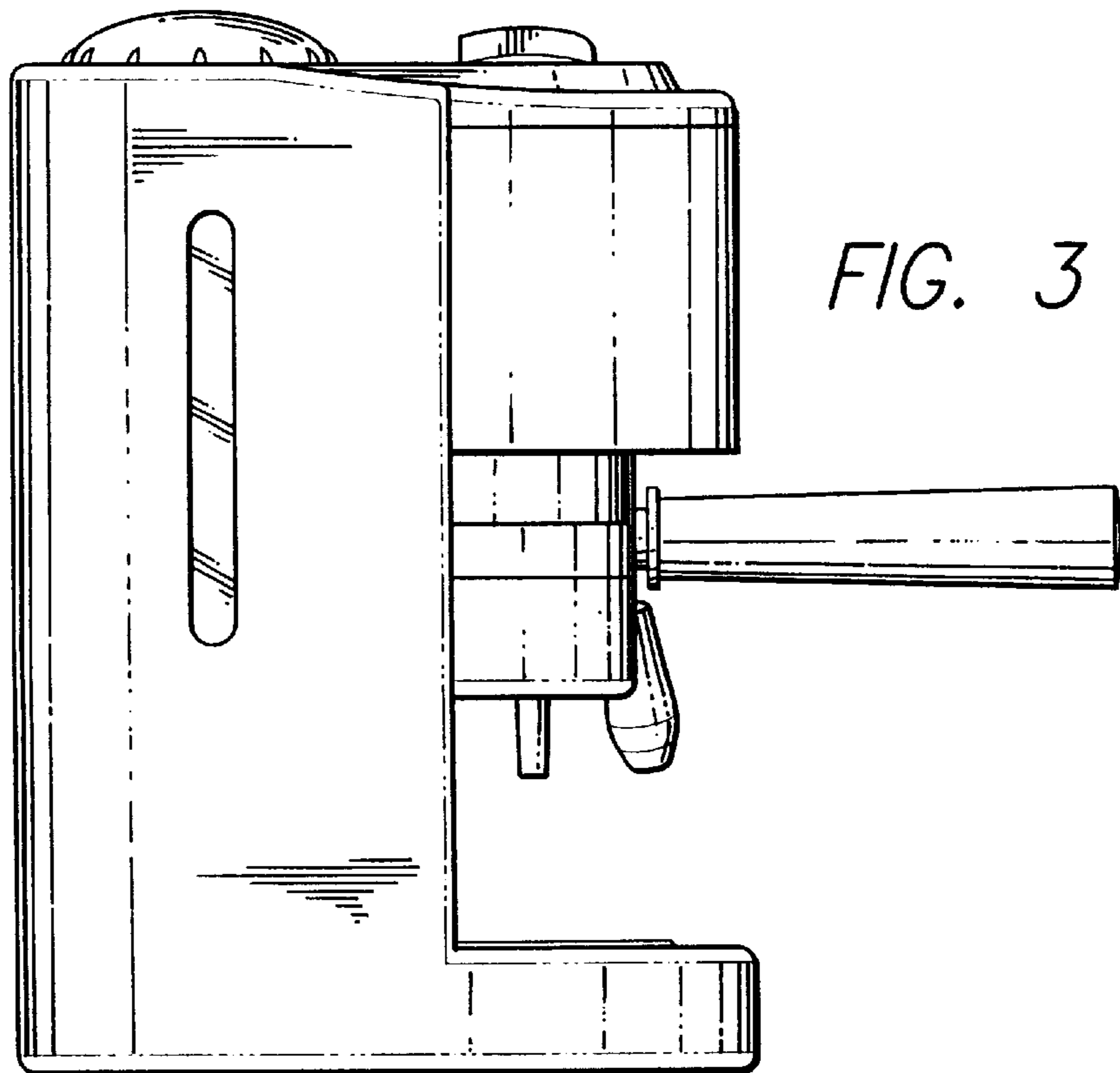
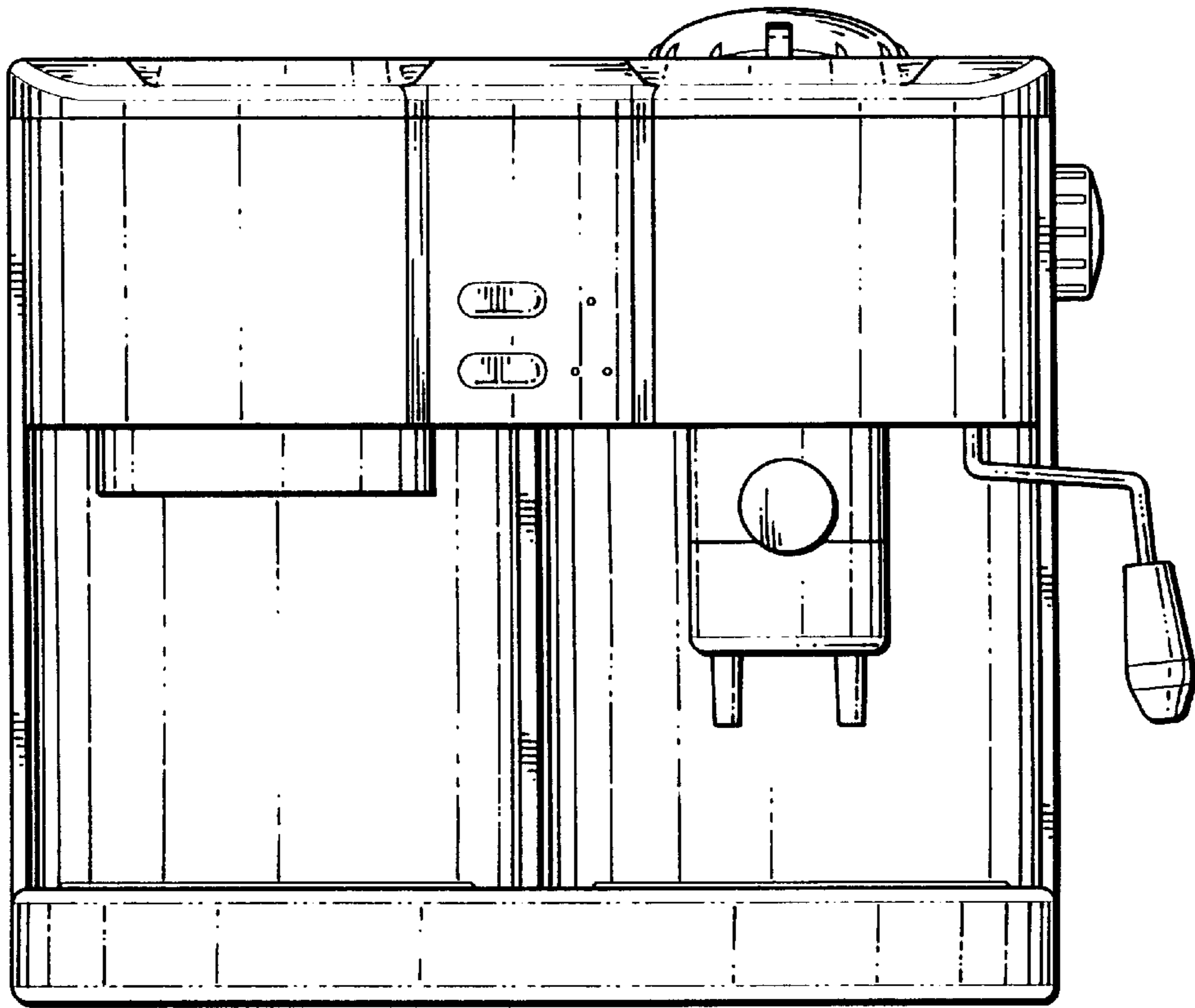


FIG. 3

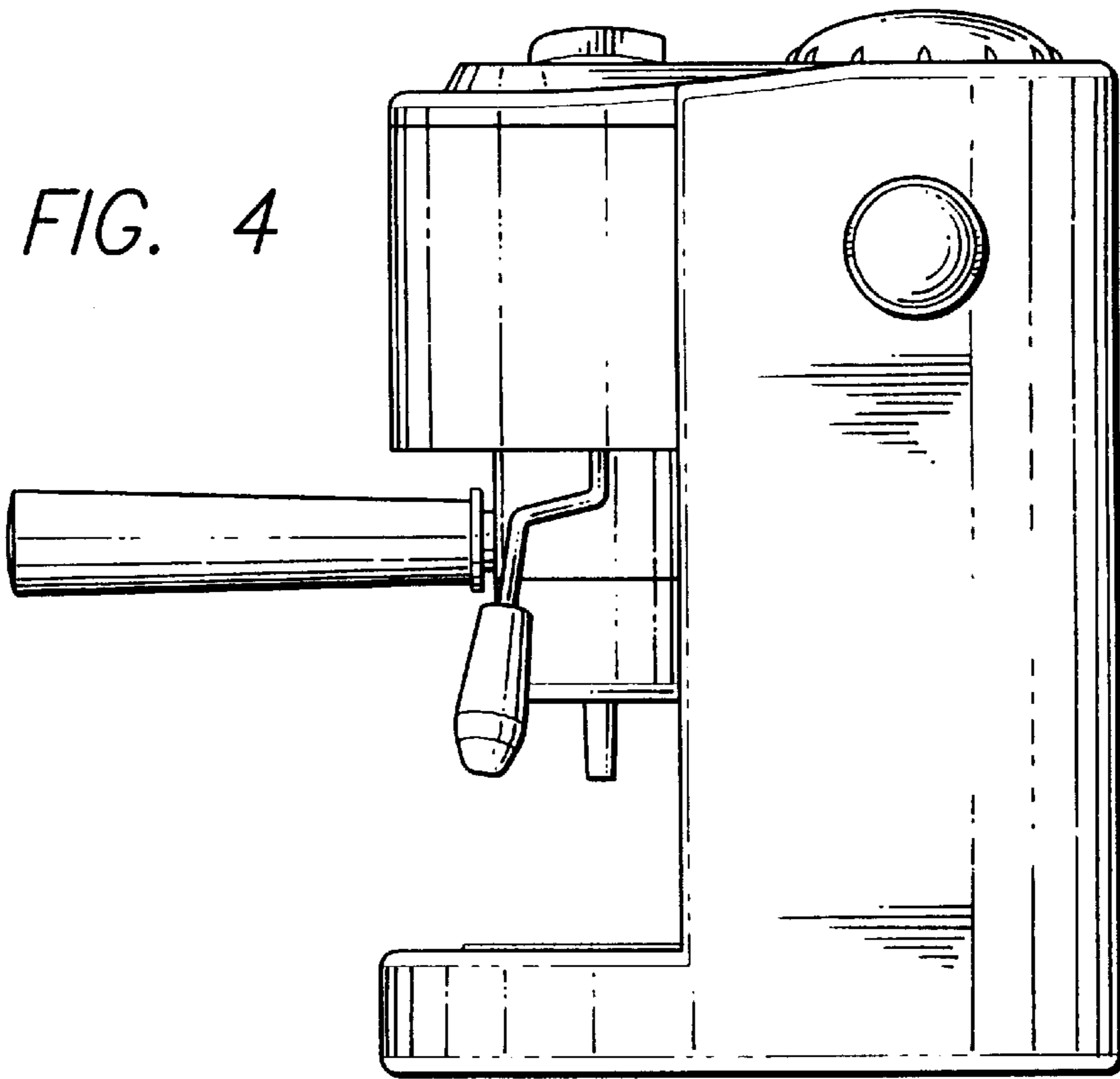
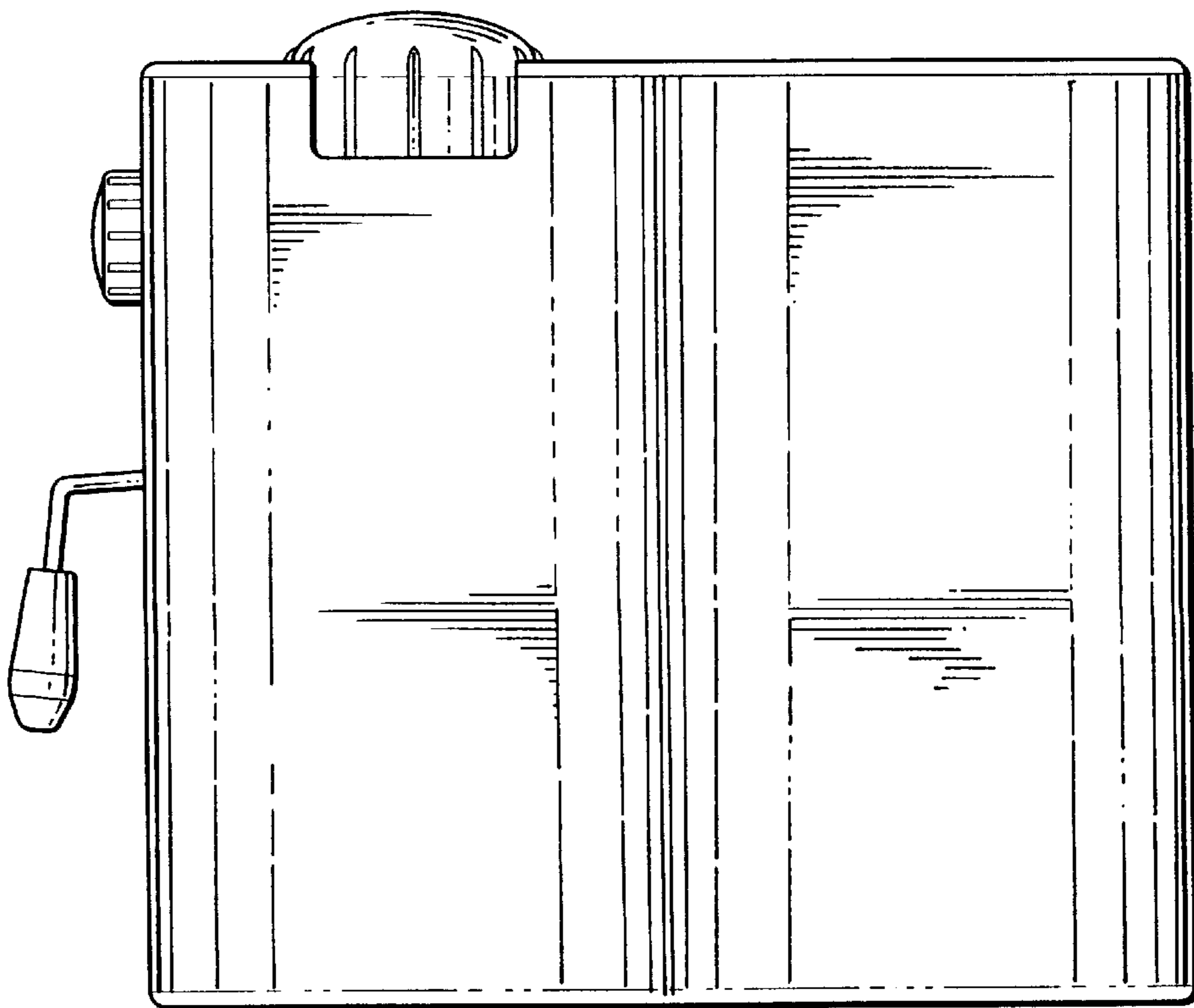


FIG. 5



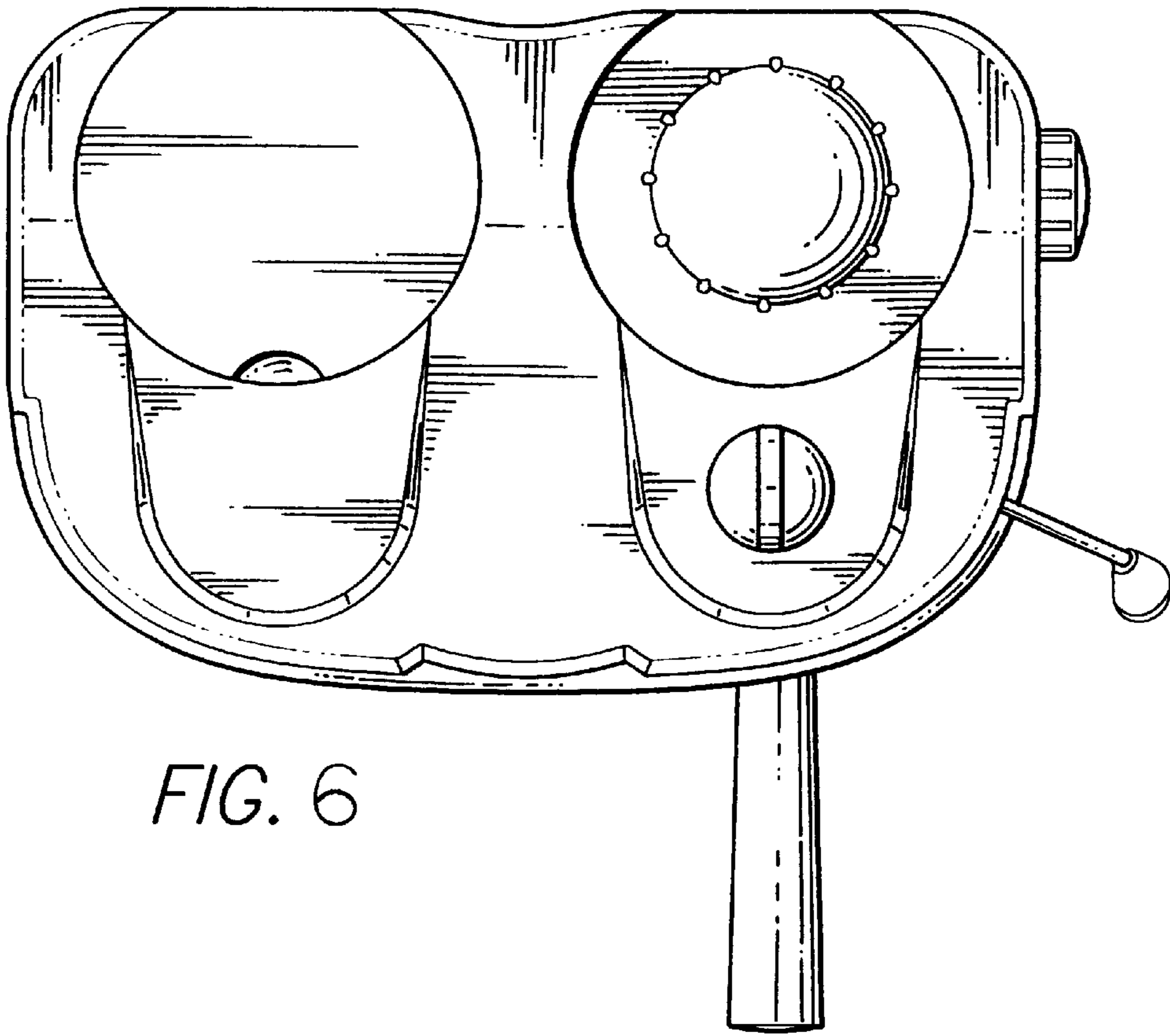


FIG. 6

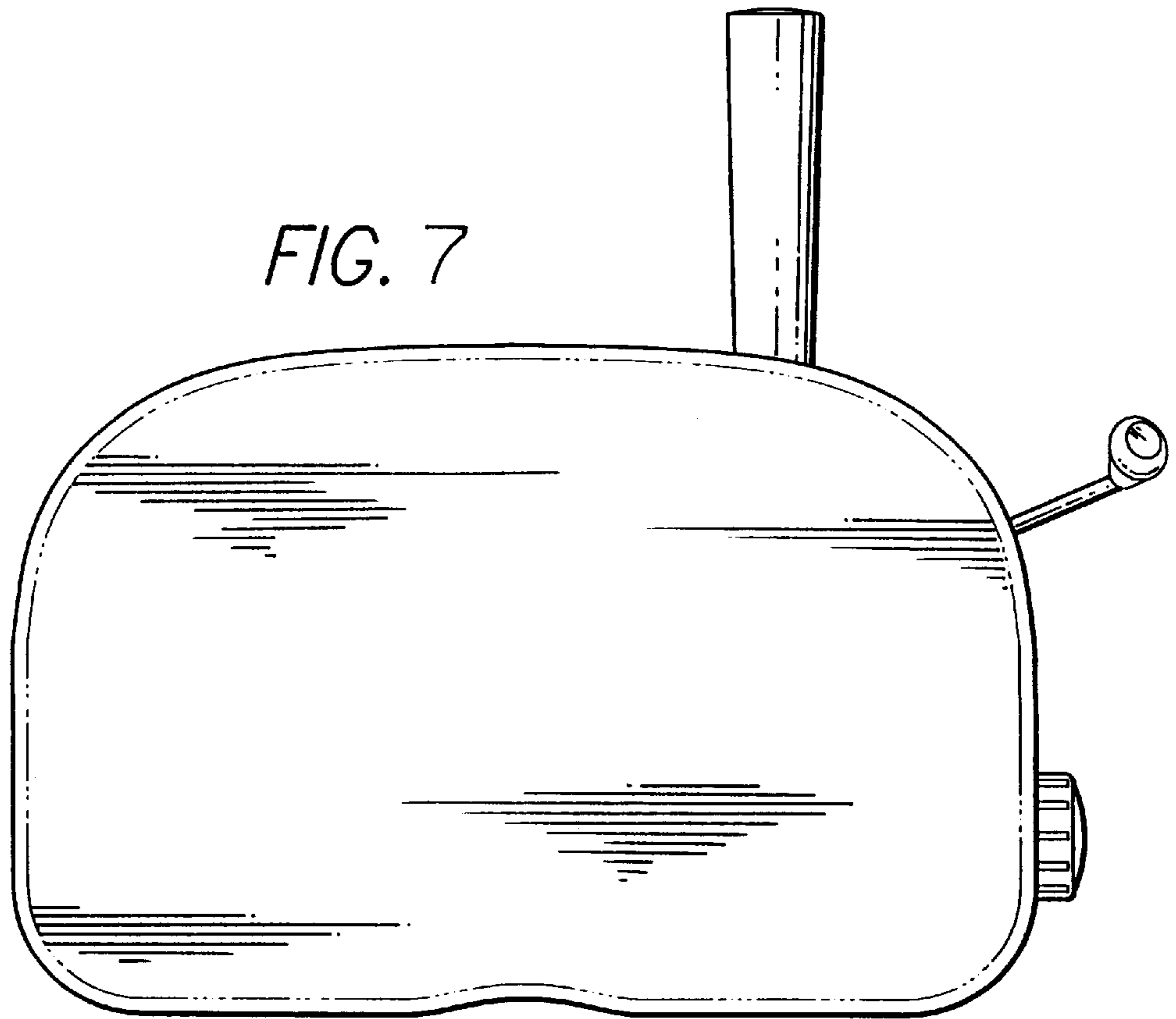


FIG. 7