



US00D431406S

# United States Patent [19]

Winter et al.

[11] Patent Number: **Des. 431,406**

[45] Date of Patent: **\*\* \*Oct. 3, 2000**

[54] **CABINET**

[75] Inventors: **Paul H. Winter**, Wilmington, Del.;  
**David Walker**, Chester, Pa.

[73] Assignee: **Zenith Products Corp.**, New Castle,  
Del.

[\*] Notice: This patent is subject to a terminal dis-  
claimer.

[\*\*] Term: **14 Years**

[21] Appl. No.: **29/109,405**

[22] Filed: **Aug. 13, 1999**

[51] **LOC (7) Cl.** ..... **06-04**

[52] **U.S. Cl.** ..... **D6/561**

[58] **Field of Search** ..... D6/436-439, 559,  
D6/561; 312/245

[56] **References Cited**

**U.S. PATENT DOCUMENTS**

- D. 385,737 11/1997 Chen ..... D6/559
- D. 395,778 7/1998 Chen ..... D6/559
- D. 402,492 12/1998 Chen ..... D6/561

- D. 415,381 10/1999 Sun et al. .... D6/561
- D. 415,918 11/1999 Chen ..... D6/561

**OTHER PUBLICATIONS**

Wall Cabinet(B), JC Penney Catalog, p. 1092, 1997.  
Wall Valet(E), JC Penney Catalog, p. 1119, 1991.  
Pair of Akurum Doors shown under sink, IKEA Catalog, p.  
107, 1997.

*Primary Examiner*—Cathron B. Matta  
*Attorney, Agent, or Firm*—Edgar A. Zarins; Lloyd D.  
Doigan

[57] **CLAIM**

The ornamental design for a cabinet, as shown and  
described.

**DESCRIPTION**

FIG. 1 is a perspective view of a cabinet showing our new  
design;  
FIG. 2 is a front elevational view thereof;  
FIG. 3 is a top plan view thereof;  
FIG. 4 is a left side view thereof, the opposite side being a  
mirror image of the side shown; and,  
FIG. 5 is a rear elevational view thereof.

**1 Claim, 2 Drawing Sheets**

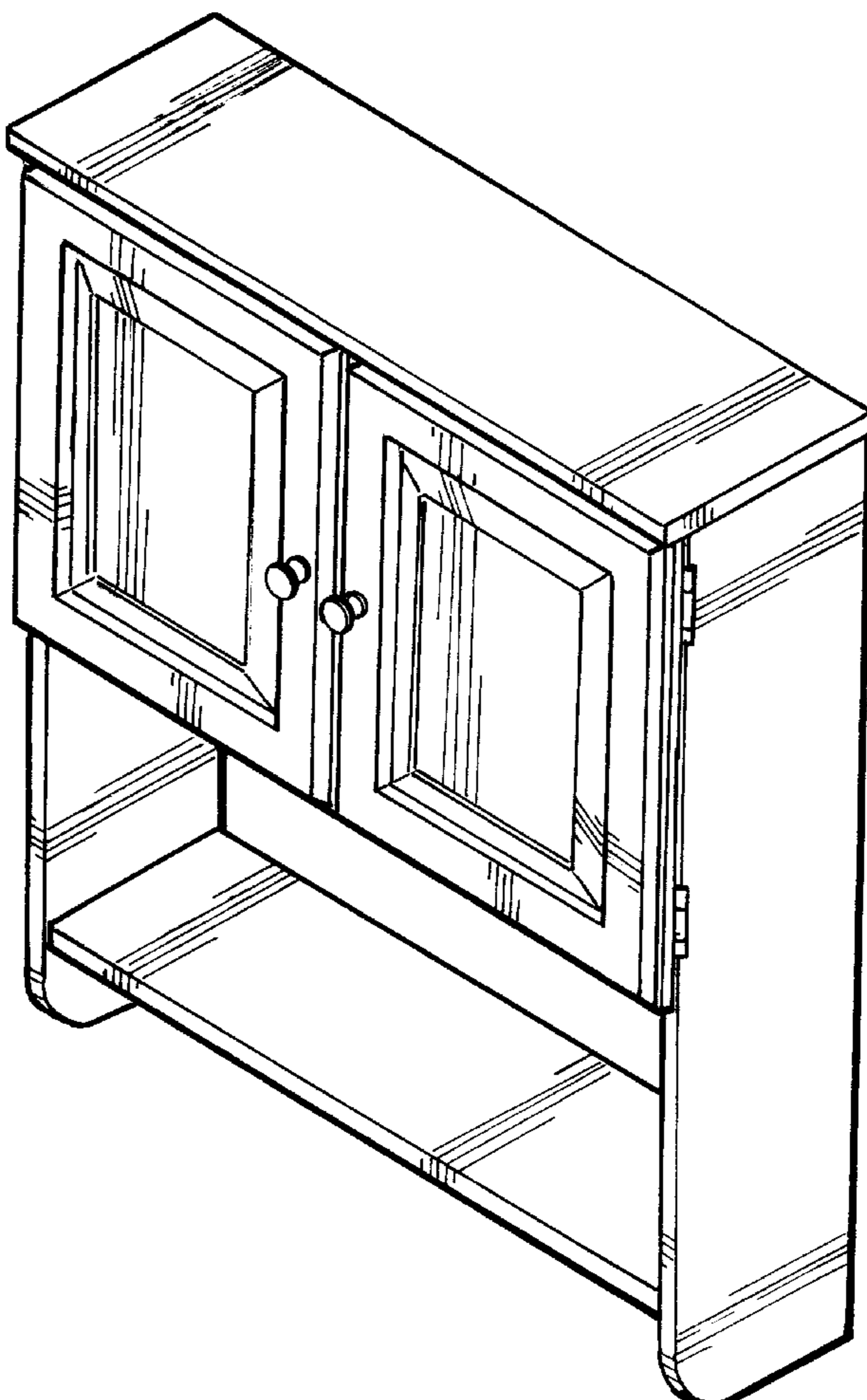


Fig-1

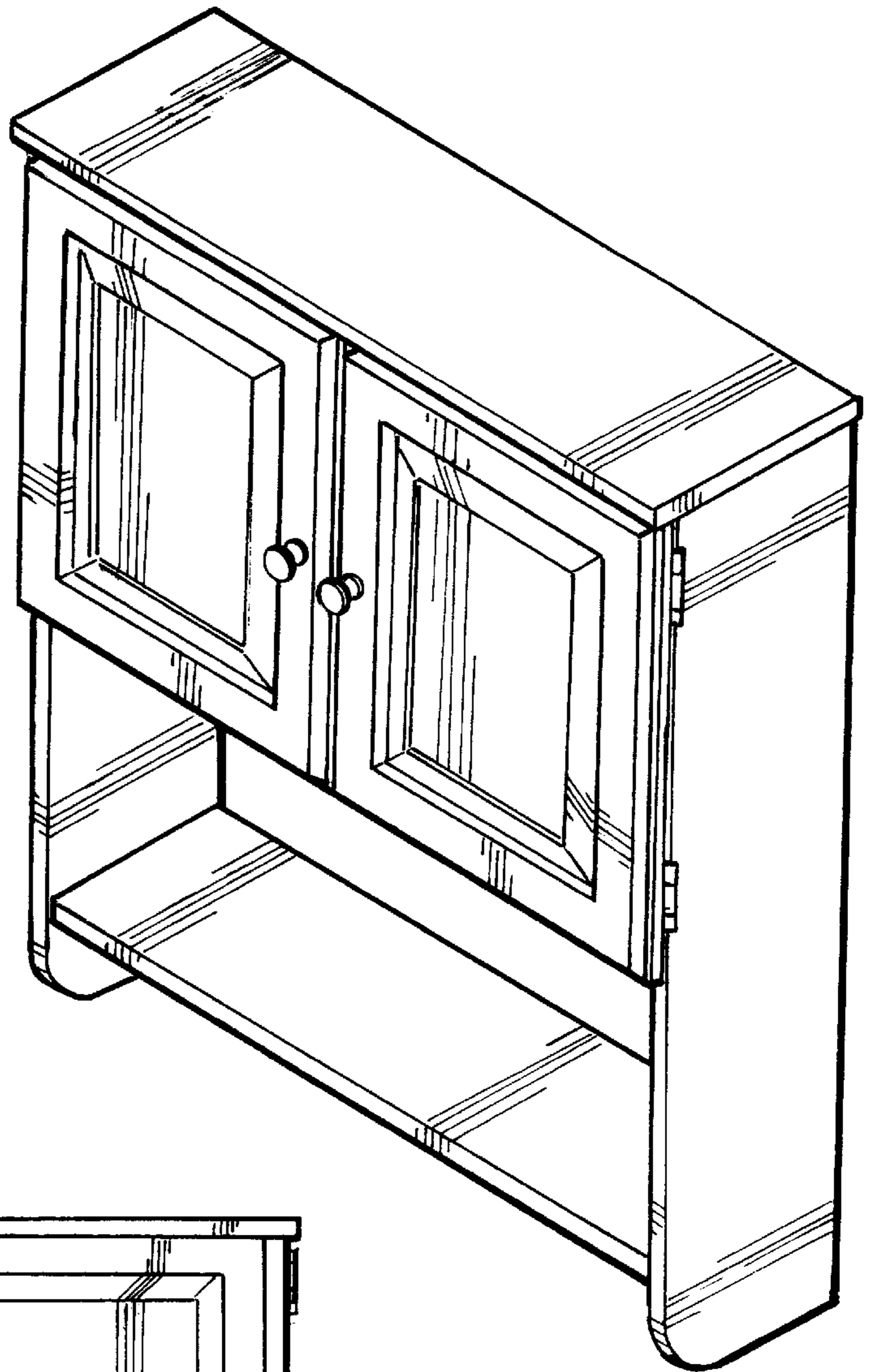
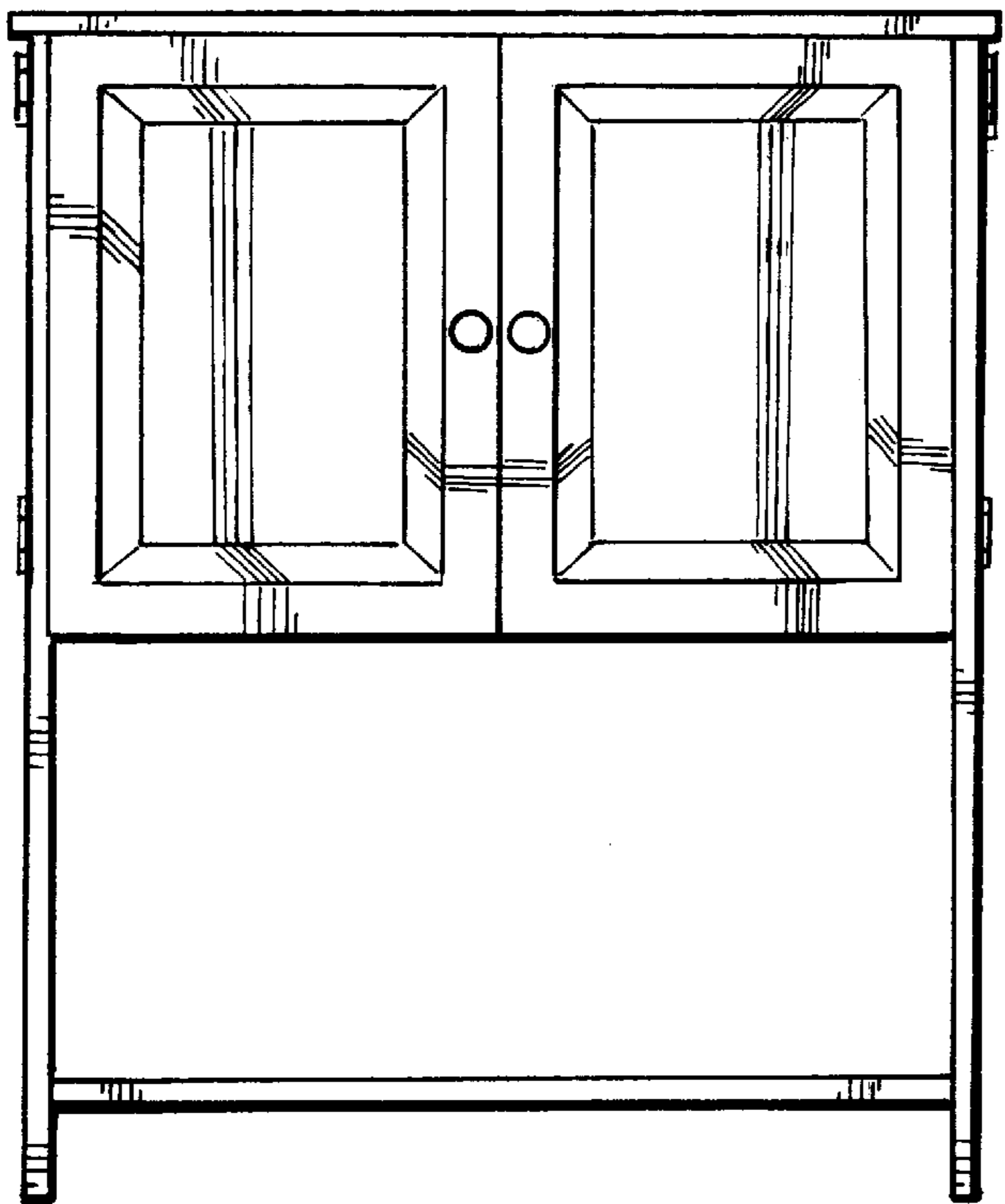


Fig-2



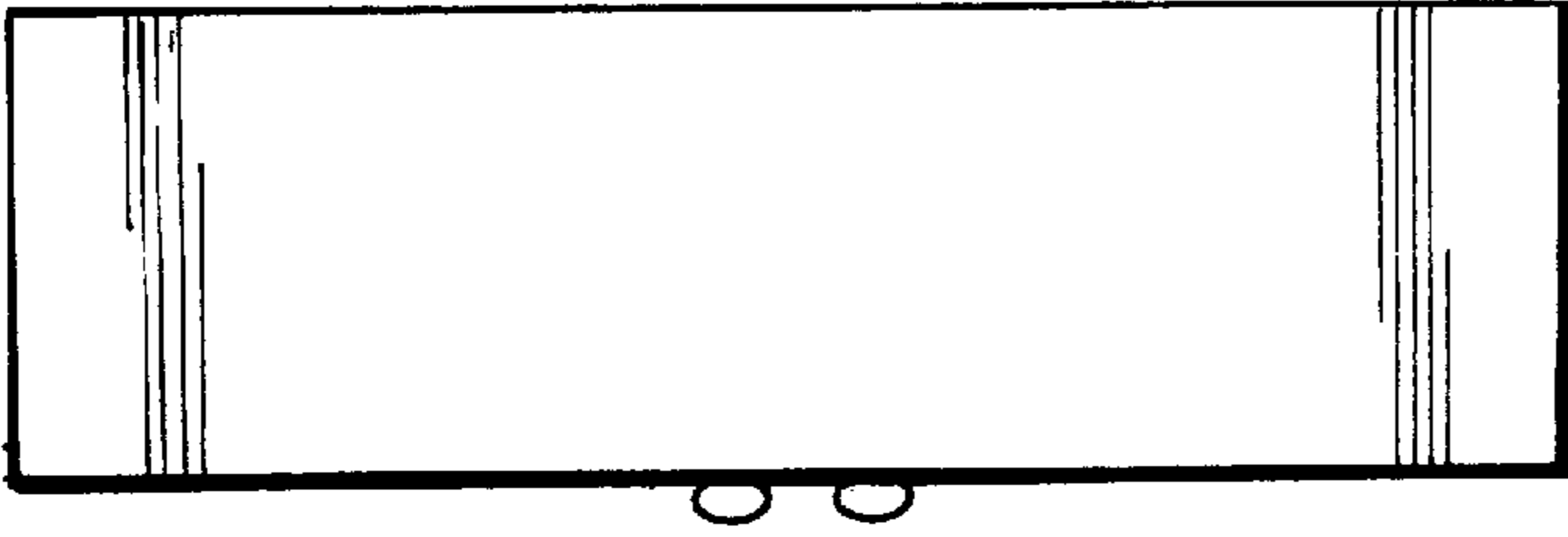


Fig-3

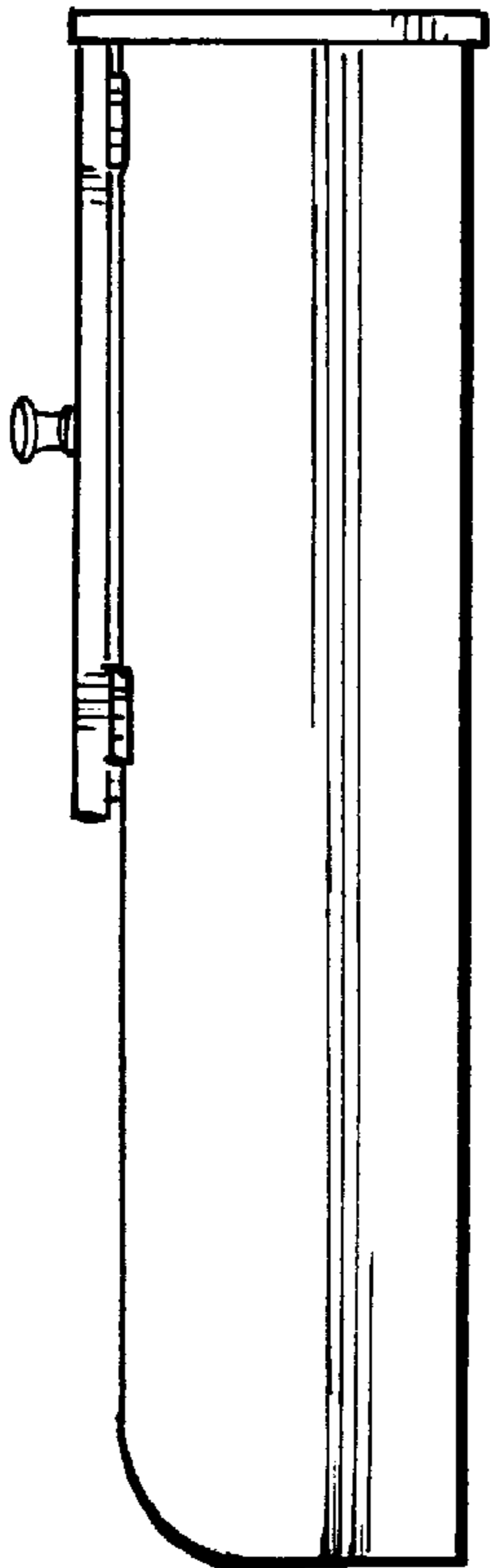


Fig-4

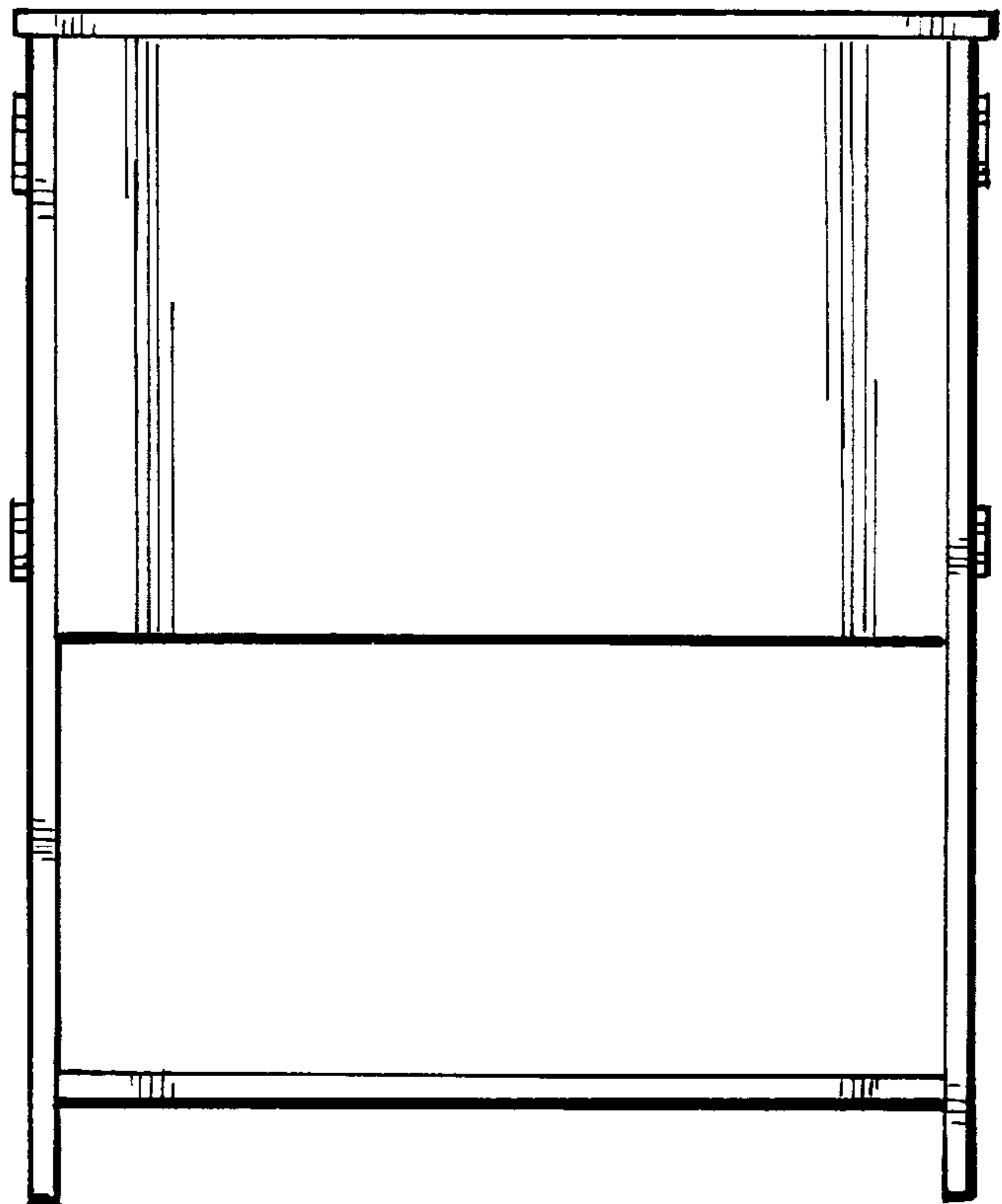


Fig-5