



US00D431403S

United States Patent [19]

Ford

[11] Patent Number: **Des. 431,403**

[45] Date of Patent: **** Oct. 3, 2000**

[54] **FLAT SHEET SHELF DISPLAY**

[76] Inventor: **John R. Ford**, 1181 S. Rogers Cir., Suite 11, Boca Raton, Fla. 33487

[**] Term: **14 Years**

[21] Appl. No.: **29/107,005**

[22] Filed: **Jun. 24, 1999**

[51] **LOC (7) Cl.** **06-04**

[52] **U.S. Cl.** **D6/511**

[58] **Field of Search** D6/396, 449, 460, D6/461, 468, 511, 567, 574; 108/147.11, 157.13; 211/36, 87.01, 90.01, 134, 153, 183

[56] **References Cited**

U.S. PATENT DOCUMENTS

D. 333,394	2/1993	Warrington	D6/511	X
D. 366,170	1/1996	Temple	D6/511	
D. 370,366	6/1996	Watts	D6/449	
4,155,312	5/1979	Thorkildson	D6/574	X

OTHER PUBLICATIONS

Display Innovations in Acrylic, Slatwall braced shelf with front lip, p. 16, Mar. 1987.

Display Innovations in Acrylic, Deluxe wall mount shelf, p. 12, Mar. 1987.

Primary Examiner—Cathron B. Matta
Attorney, Agent, or Firm—Robert M. Schwartz

[57] **CLAIM**

The ornamental design for a flat sheet shelf display, as shown and described.

DESCRIPTION

FIG. 1 is a top view of the flat sheet shelf display of the present invention.

FIG. 2 is a front view of the flat sheet shelf display.

FIG. 3 is a bottom view of the flat sheet shelf display.

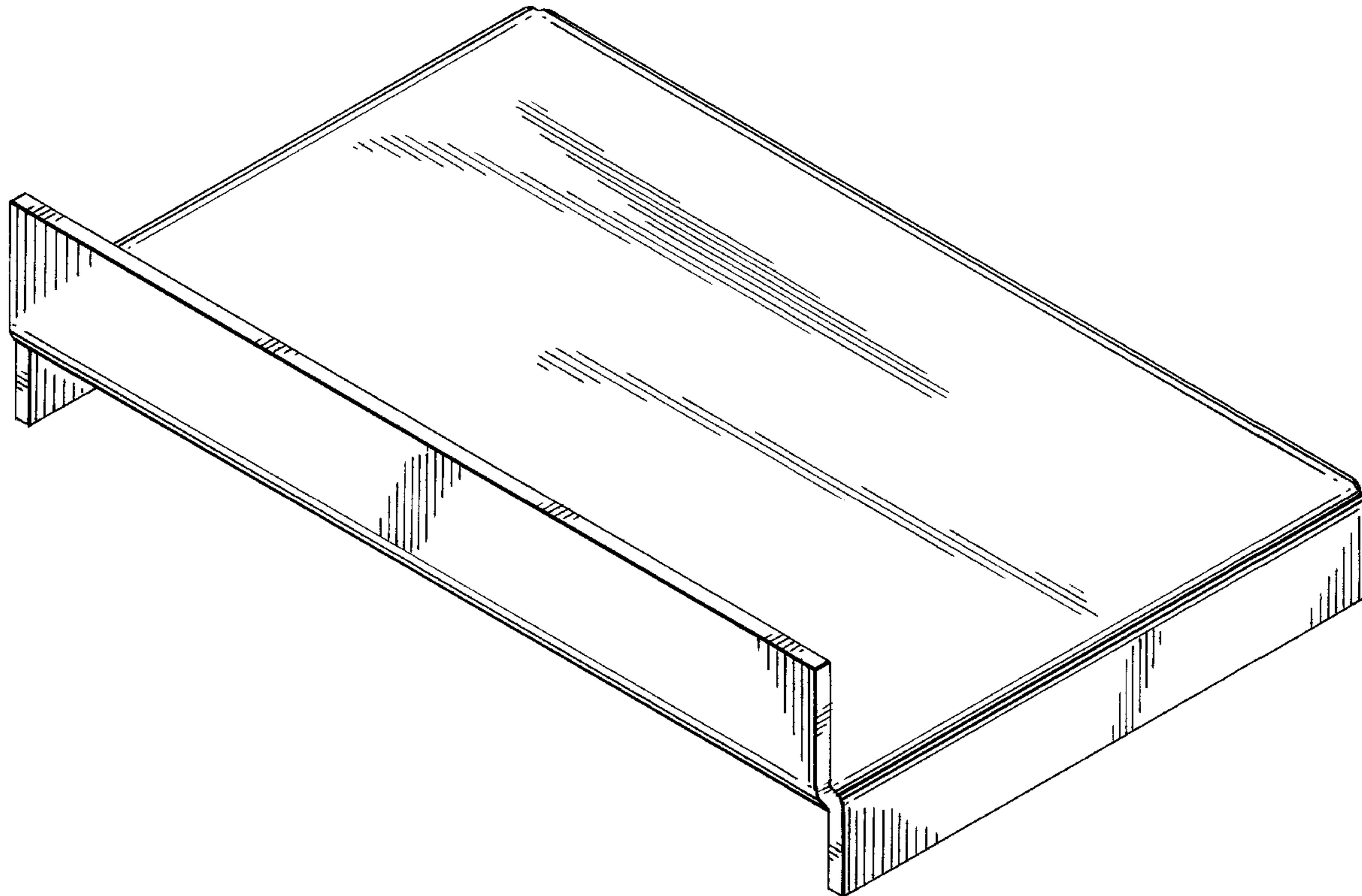
FIG. 4 is a rear view of the flat sheet shelf display.

FIG. 5 is a left side view of the flat sheet shelf display.

FIG. 6 is a right side view of the flat sheet shelf display; and,

FIG. 7 is an enlarged perspective view of the flat sheet shelf display.

1 Claim, 3 Drawing Sheets



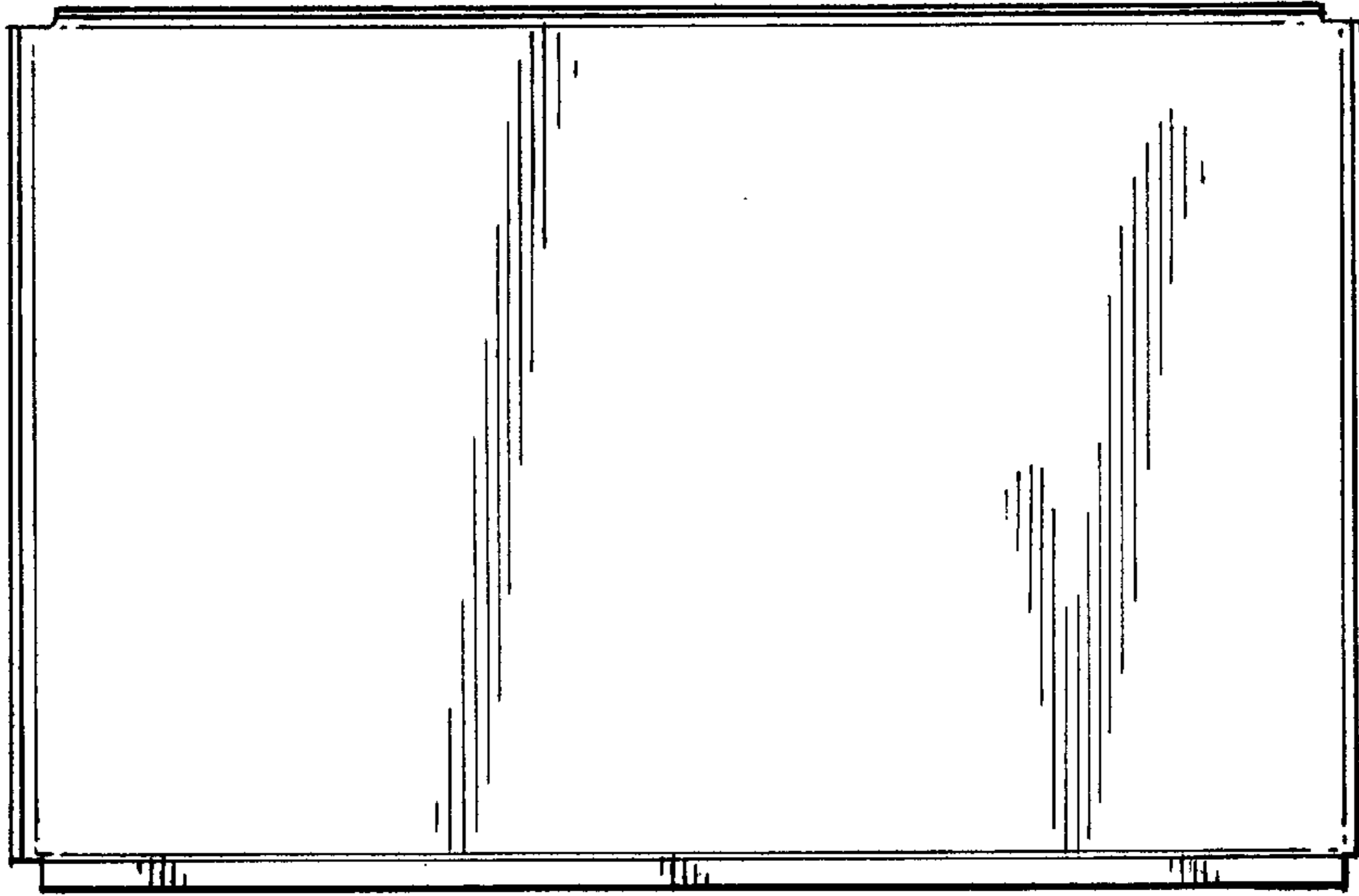


FIG - 1 -

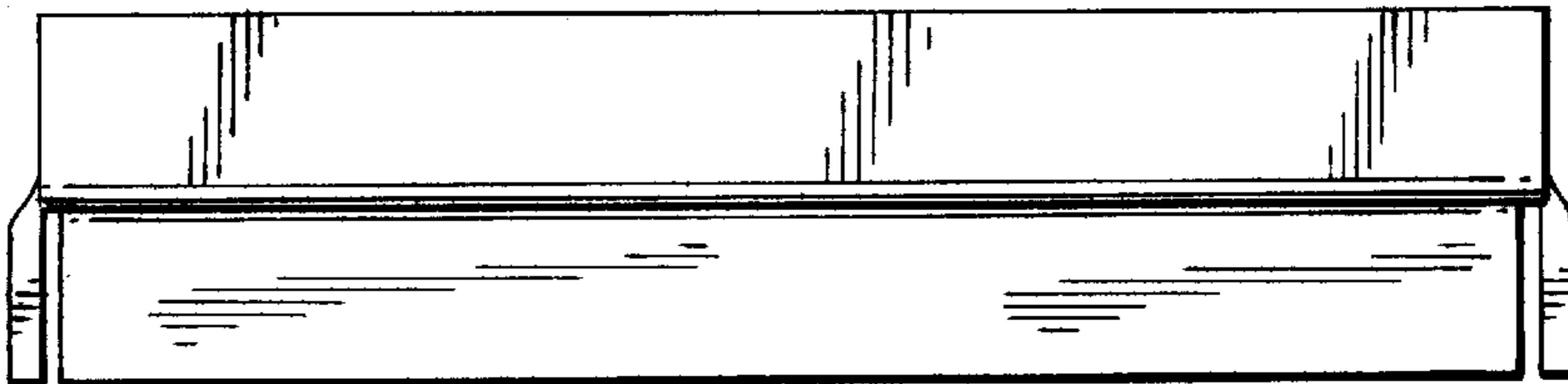


FIG - 2 -

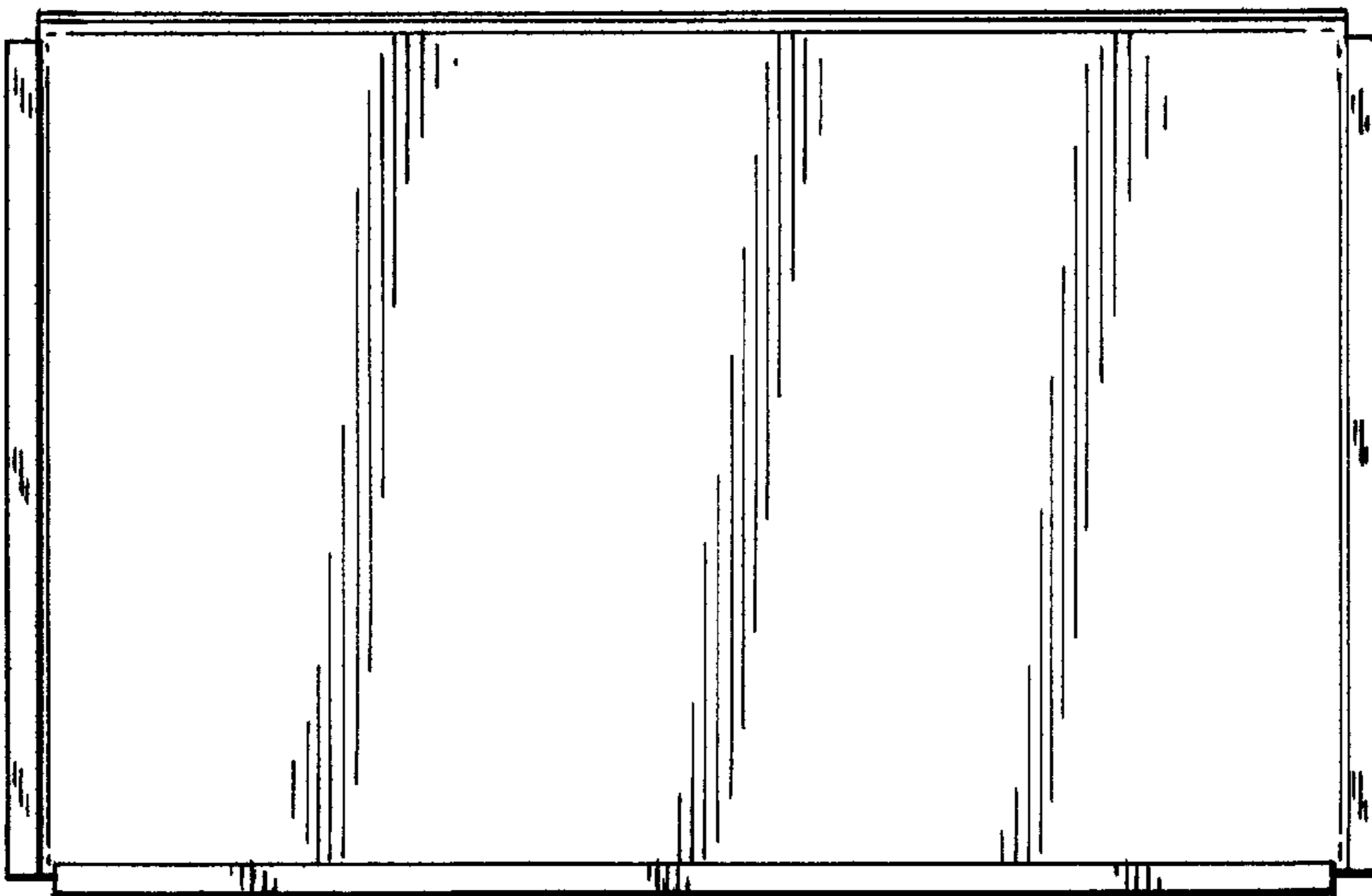


FIG - 3 -

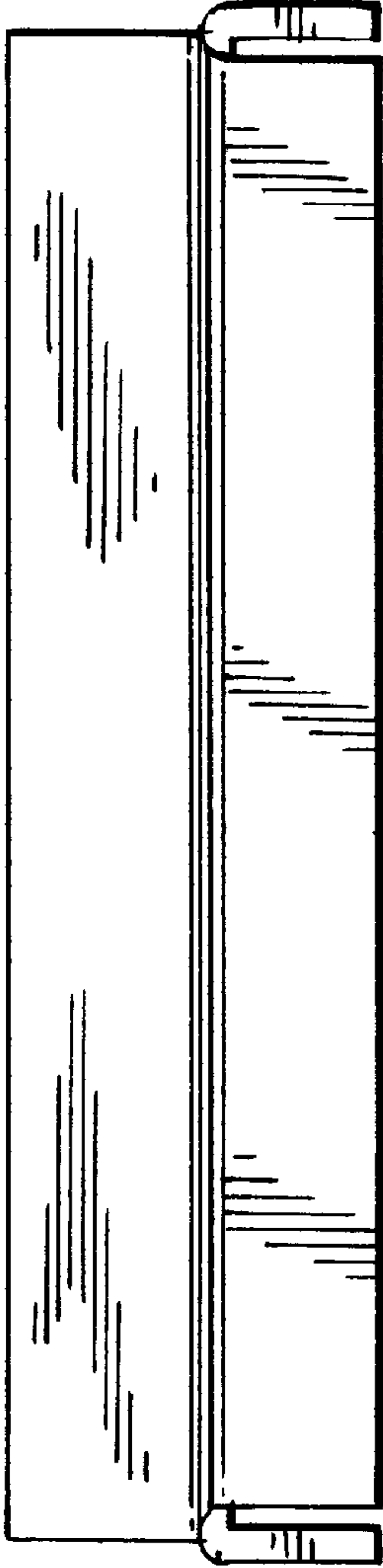


FIG. 4 -

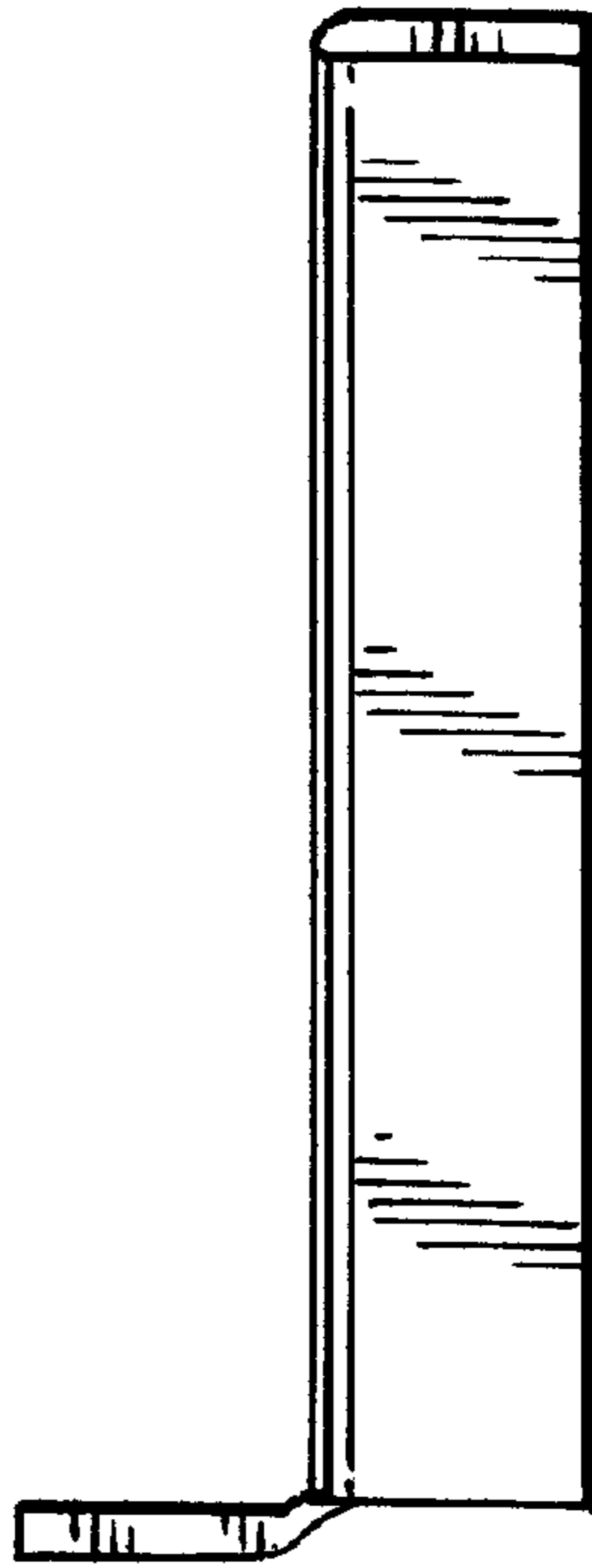


FIG. 5 -

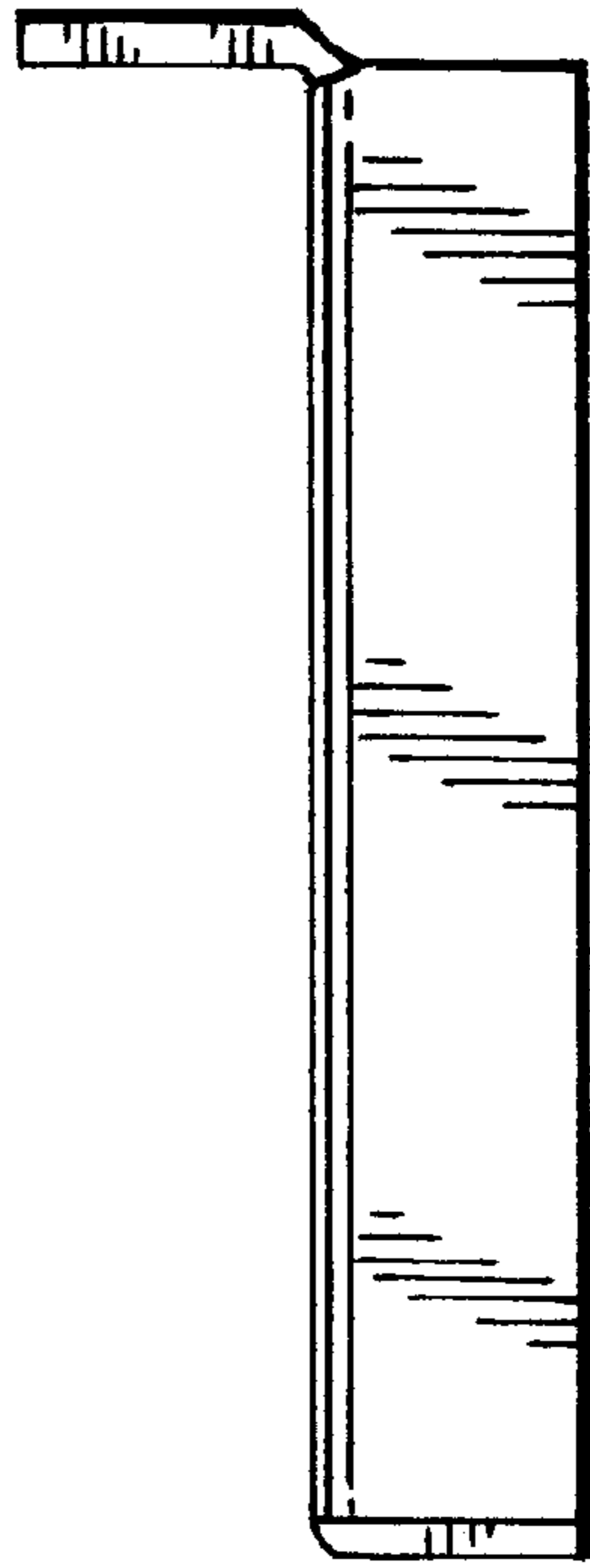
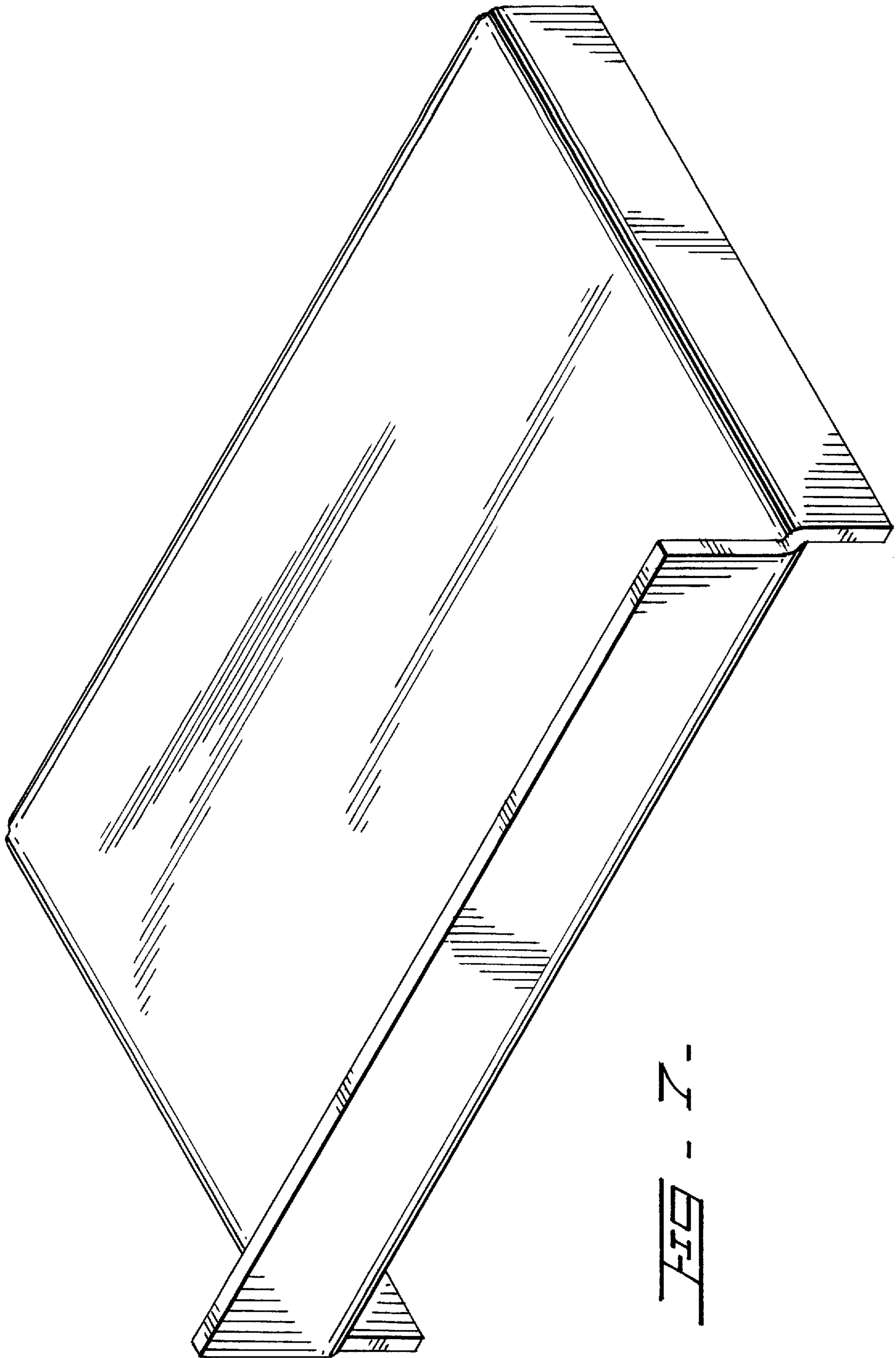


FIG. 6 -



2 - 511