



US00D431398S

# United States Patent [19]

Luong et al.

[11] Patent Number: **Des. 431,398**

[45] Date of Patent: **\*\* Oct. 3, 2000**

[54] **DESK**

[75] Inventors: **Phuoc H. Luong**, Fountain Valley;  
**Robinson Ho**, Lakewood, both of Calif.

[73] Assignee: **Elite Manufacturing Corporation**,  
Santa Fe Springs, Calif.

[\*\*] Term: **14 Years**

D. 371,699 7/1996 Muller-Deisig .  
D. 373,262 9/1996 Luong .  
D. 404,595 1/1999 Antonioni .  
D. 410,354 6/1999 Antonioni .  
2,640,750 6/1953 Rohde .  
4,297,952 11/1981 Zagaroli ..... 105/83  
5,083,512 1/1992 Newhouse .  
5,277,131 1/1994 Fortsch .

[21] Appl. No.: **29/115,029**

[22] Filed: **Dec. 6, 1999**

[51] **LOC (7) Cl.** ..... **06-03**

[52] **U.S. Cl.** ..... **D6/484**

[58] **Field of Search** ..... D6/480-489, 495,  
D6/511, 429, 430, 431; 108/69, 75, 70,  
83, 153.1, 155, 156, 157.1, 161; 248/188,  
188.1, 188.8

### OTHER PUBLICATIONS

D.I.A. c1983, #3200-B table.  
D.I.A. c1983, #338-A table.  
"Craftsman Homes" Book by Gustav Stickley, Copyright  
1909, p. 156.  
David Furniture Ad, Conference Group.  
*Primary Examiner*—Janice E. Seeger  
*Attorney, Agent, or Firm*—Stetina Brunda Garred &  
Brucker

[56] **References Cited**  
U.S. PATENT DOCUMENTS

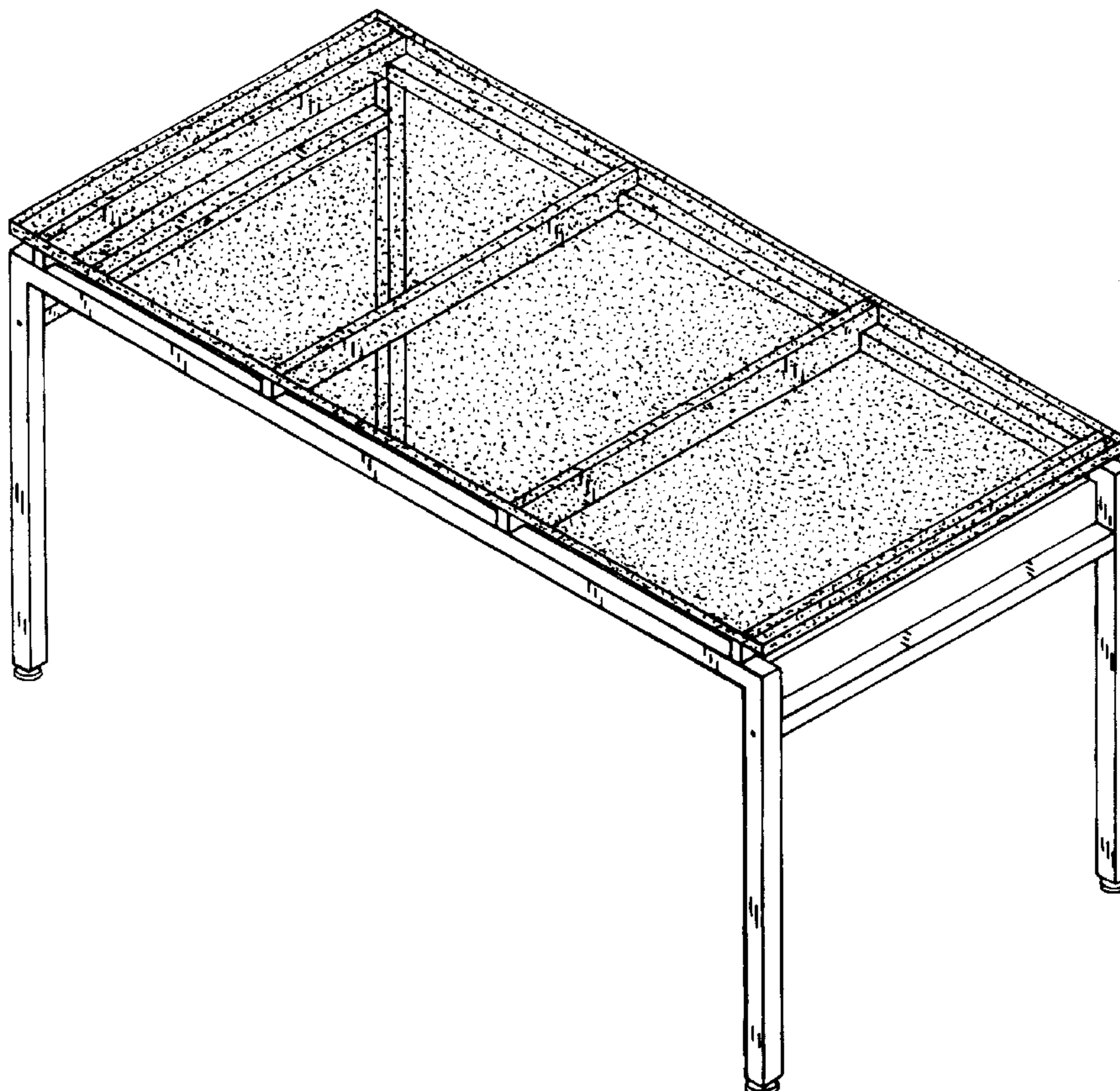
D. 134,298 11/1942 Eppenstein .  
D. 231,886 6/1974 Kephart ..... D6/484  
D. 234,655 4/1975 Stiene .  
D. 237,335 10/1975 Ginat ..... D6/484  
D. 247,404 3/1978 Harris ..... D6/483  
D. 330,644 11/1992 Bellini .  
D. 335,590 5/1993 Newhouse .  
D. 338,577 8/1993 Vonhausen .  
D. 362,770 10/1995 Green .

[57] **CLAIM**  
The ornamental design for a desk, as shown and described.

### DESCRIPTION

FIG. 1 is a front top perspective view of the desk of the present invention showing our new design;  
FIG. 2 is an end elevational view thereof the opposite end being identical thereto; and,  
FIG. 3 is a front elevational view thereof the rear being identical thereto.

**1 Claim, 1 Drawing Sheet**



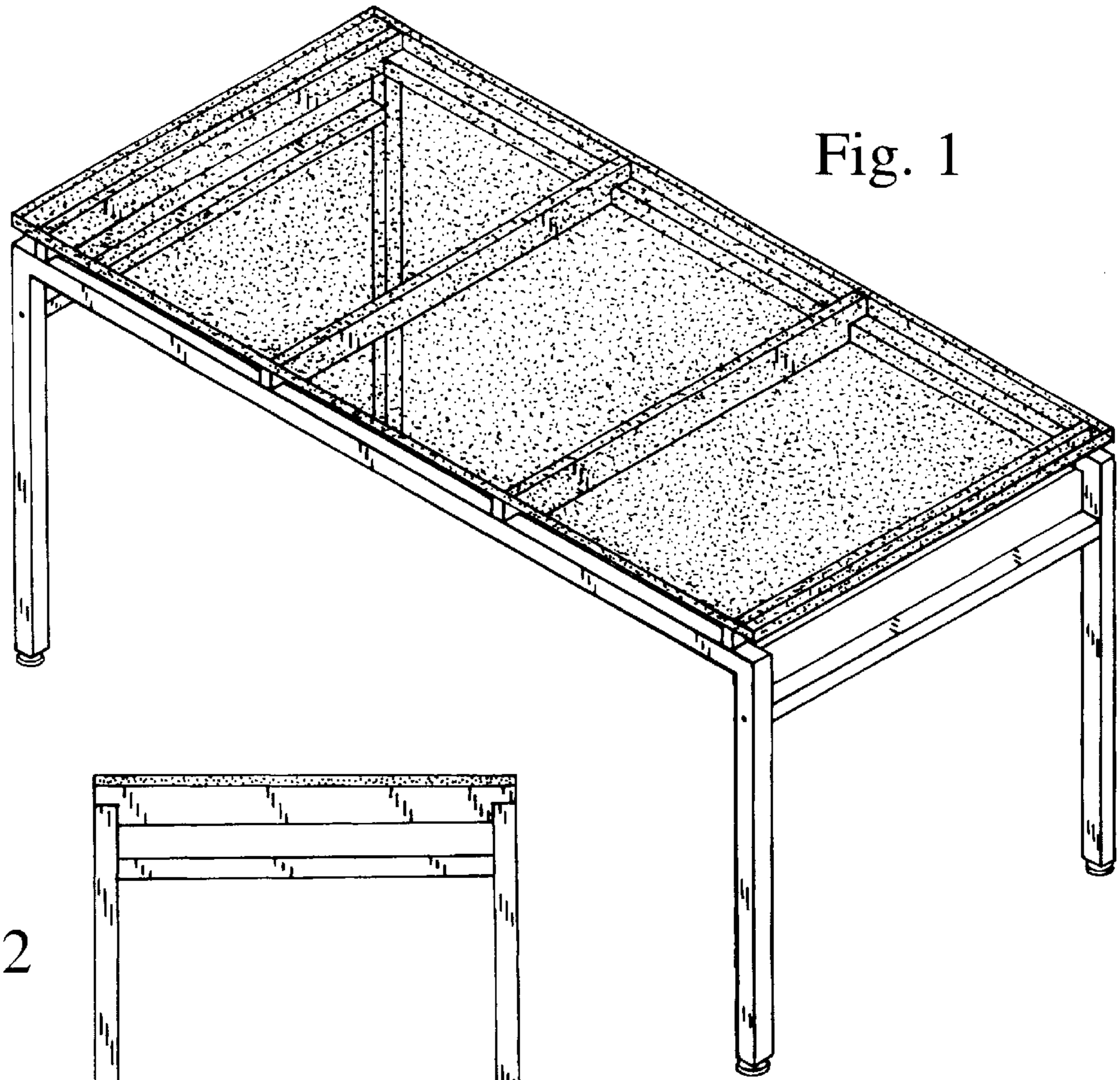


Fig. 1

Fig. 2

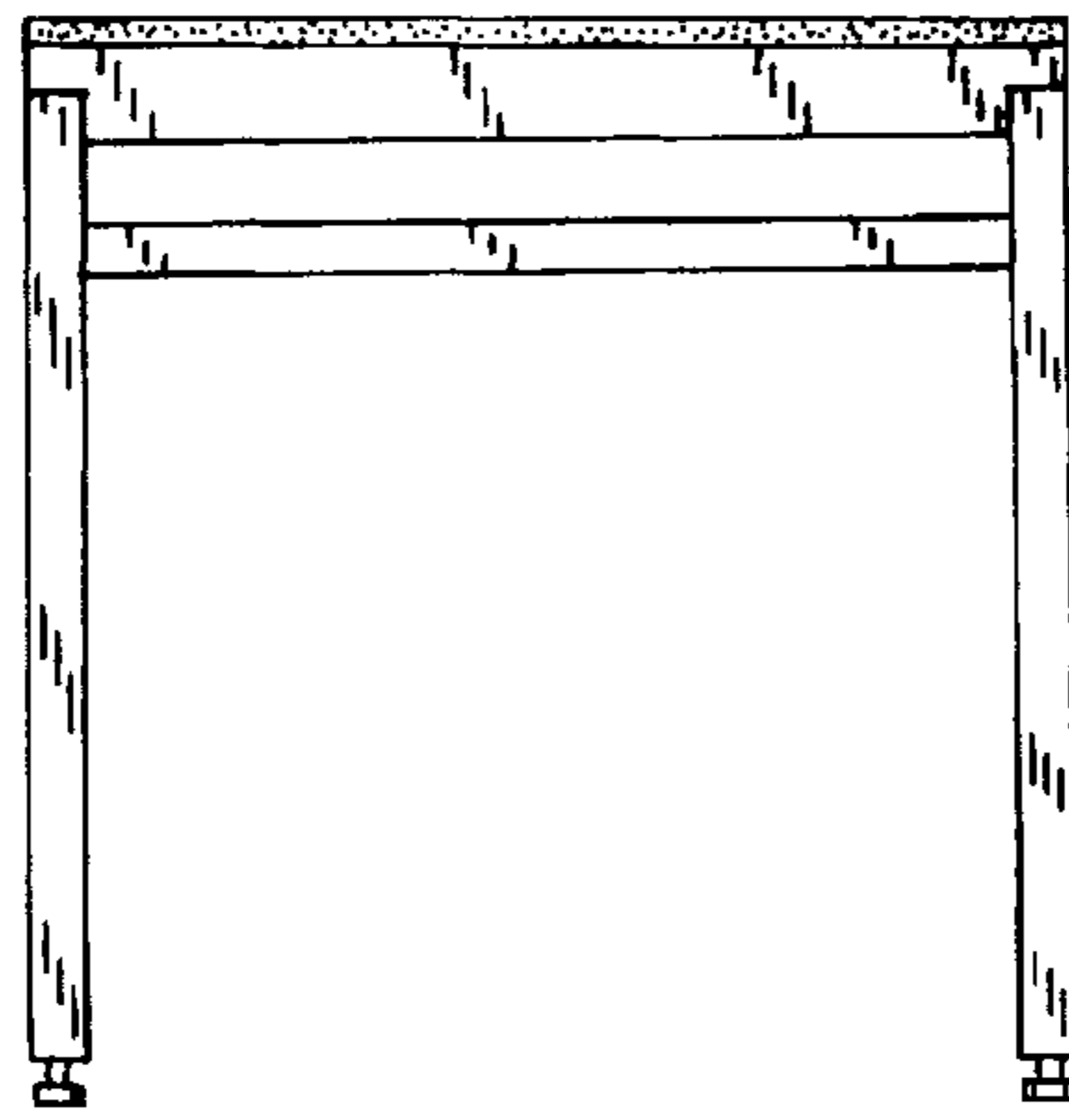


Fig. 3

