



US00D431389S

United States Patent [19]
Brandenberg

[11] **Patent Number: Des. 431,389**

[45] **Date of Patent: ** Oct. 3, 2000**

[54] **MODULAR DESK EXTENSION**

[76] Inventor: **Carl Brock Brandenburg**, 5800
Monroe Hwy., Cresson, Tex. 76035

[**] Term: **14 Years**

[21] Appl. No.: **29/116,361**

[22] Filed: **Dec. 30, 1999**

[51] **LOC (7) Cl.** **06-04**

[52] **U.S. Cl.** **D6/422; D6/477**

[58] **Field of Search** D6/422-428, 480,
D6/482, 484, 474, 477, 485; 312/194-196,
204, 208.1; 108/50.01, 50.02

[56] **References Cited**

U.S. PATENT DOCUMENTS

D. 88,746	12/1932	Berman	D6/426
D. 201,085	5/1965	Anderson	D6/477
D. 322,184	12/1991	Prevedello et al.	D6/436
D. 365,709	1/1996	Leveen et al.	D6/474

Primary Examiner—Janice E. Seeger
Attorney, Agent, or Firm—Melvin A. Hunn

[57] **CLAIM**

The ornamental design for a modular desk extension, as shown and described.

DESCRIPTION

FIG. 1 is a perspective view of the front of the present invention.

FIG. 2 is a second perspective view of the front of the present invention.

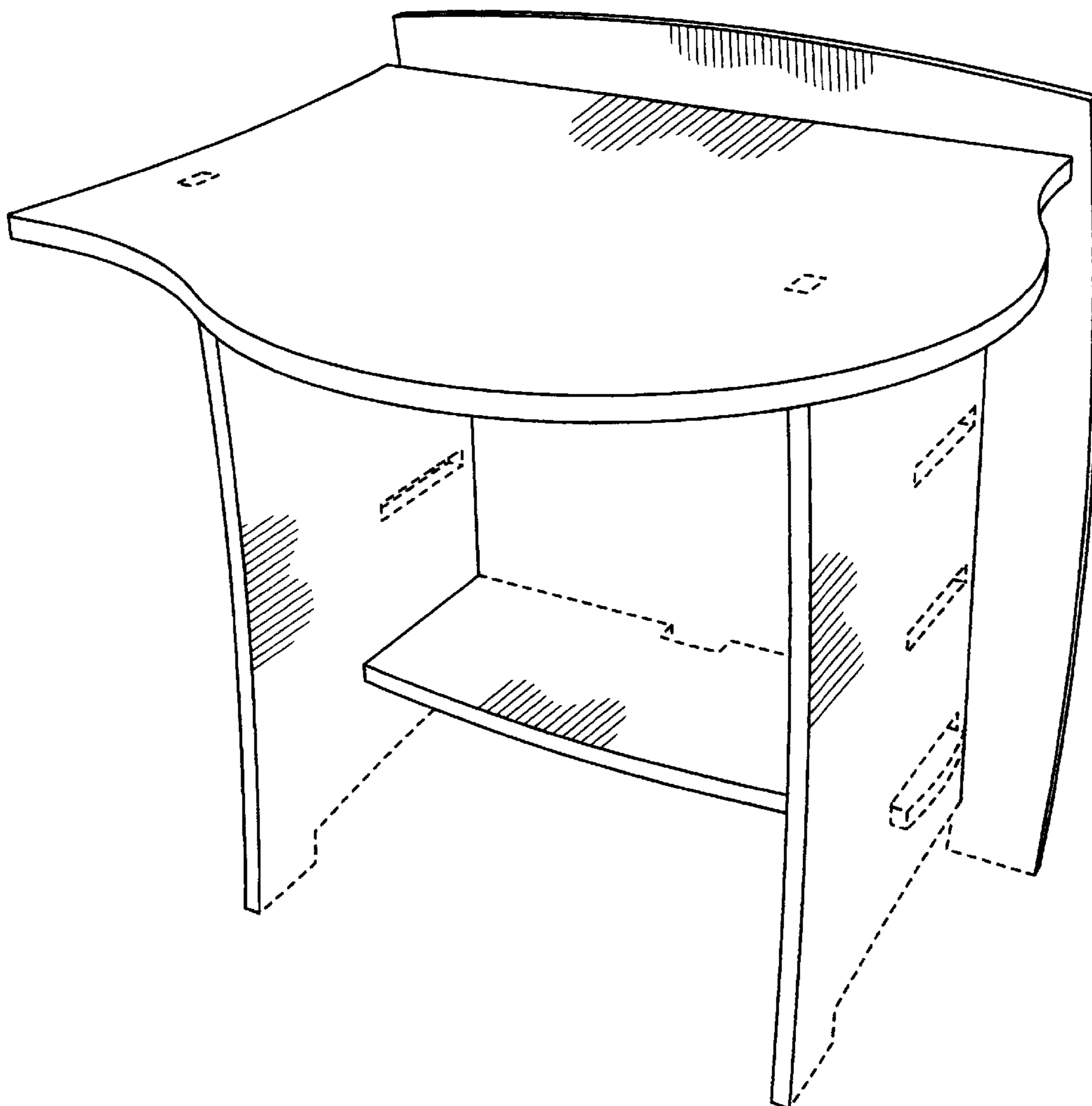
FIG. 3 is a perspective view of the rear of the present invention.

FIG. 4 is a second perspective view of the rear of the present invention; and,

FIG. 5 is a perspective view from beneath the front of the present invention.

The broken line structure shown in FIGS. 1, 2, 3, 4, and 5 is for illustrative purposes only and forms no part of the claimed design.

1 Claim, 5 Drawing Sheets



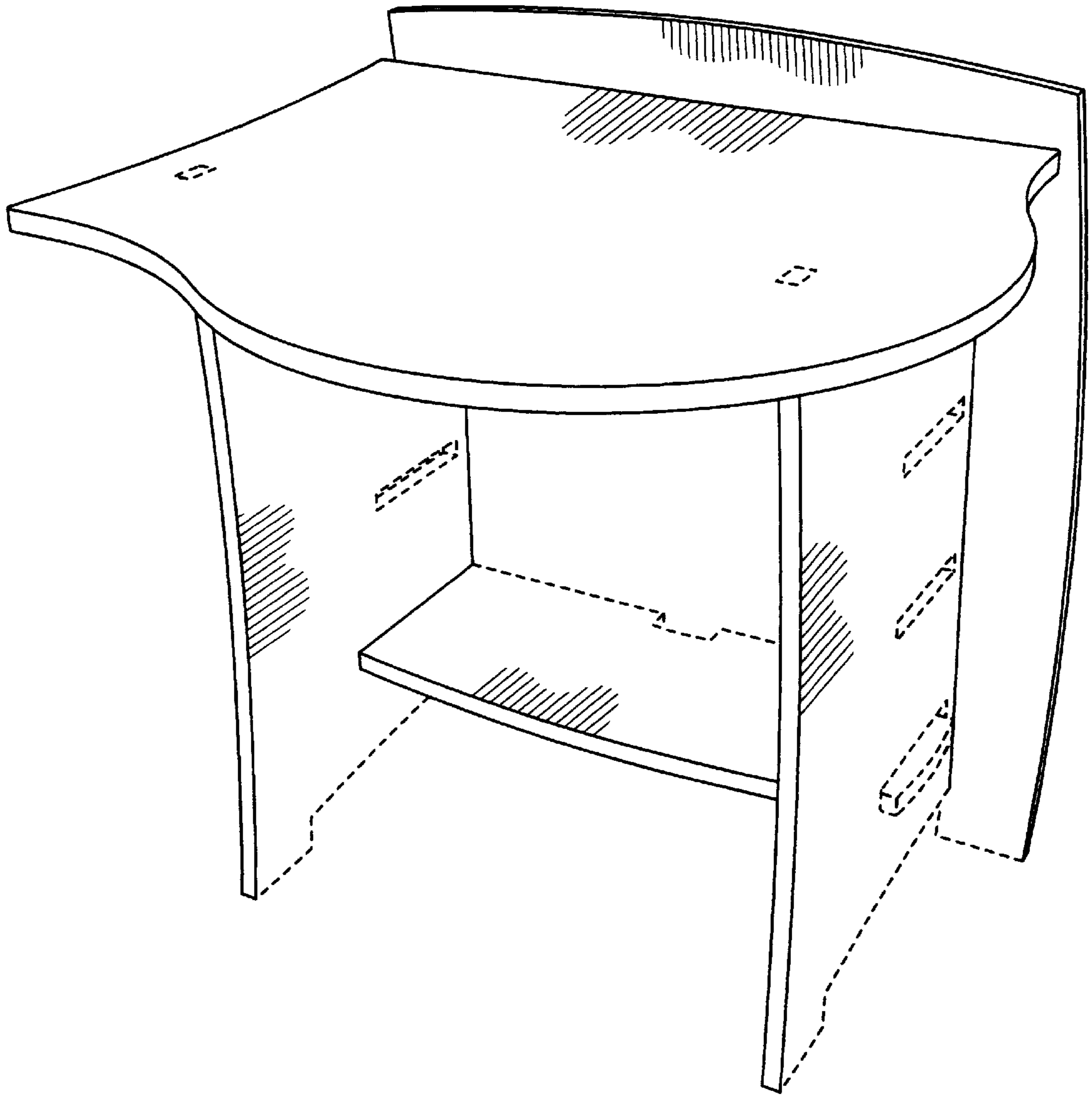


FIG. 1

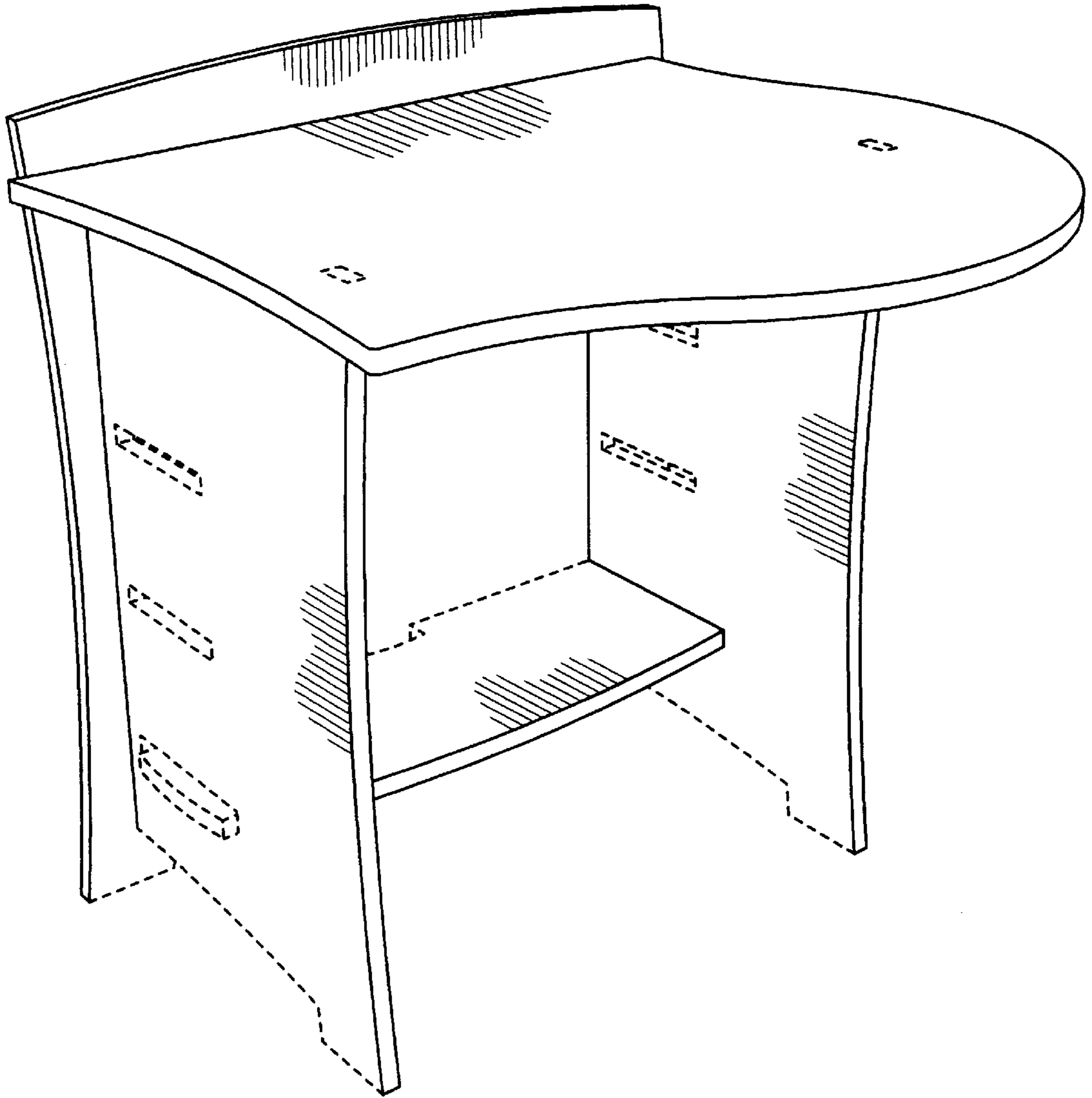


FIG. 2

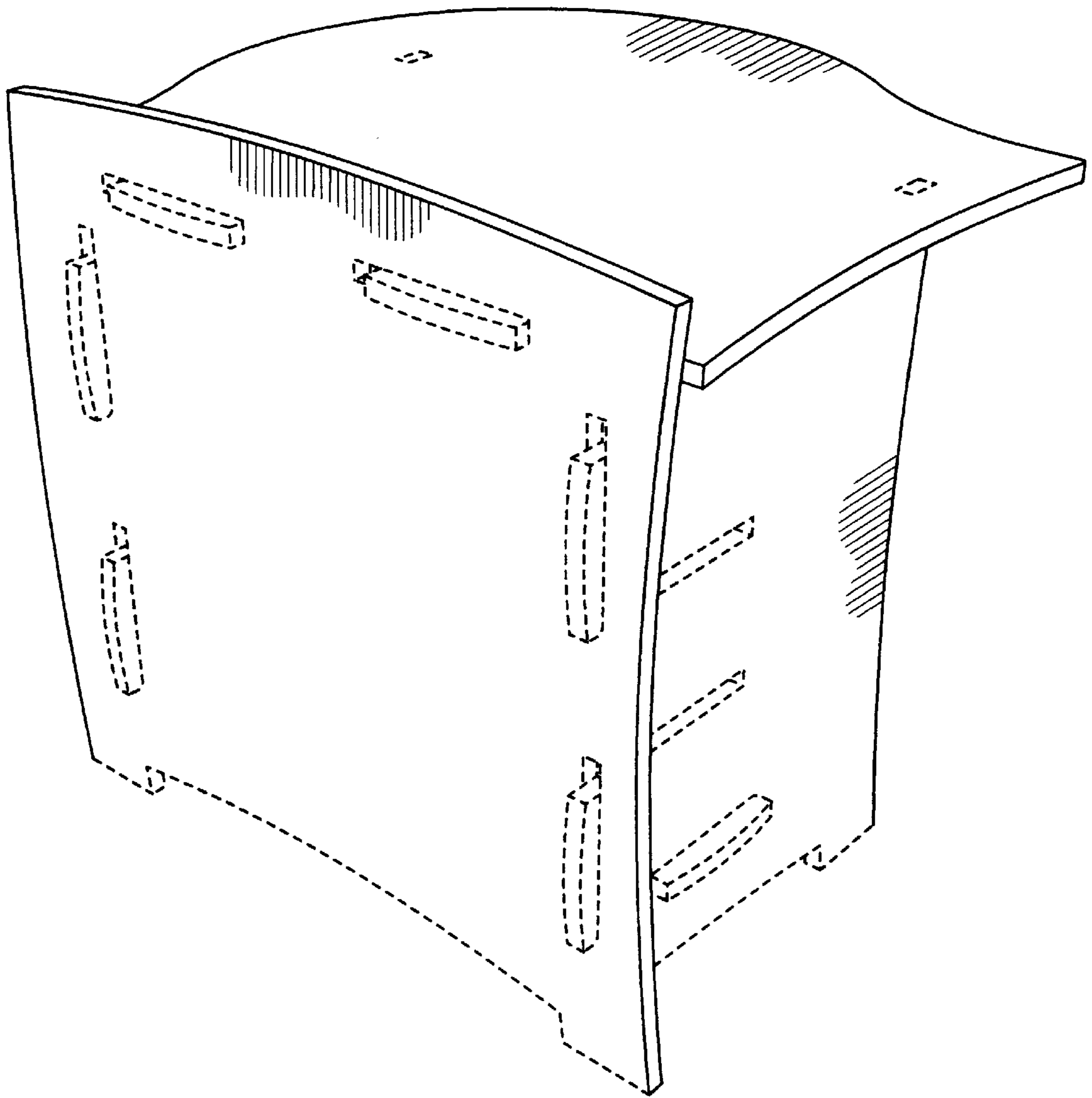


FIG. 3

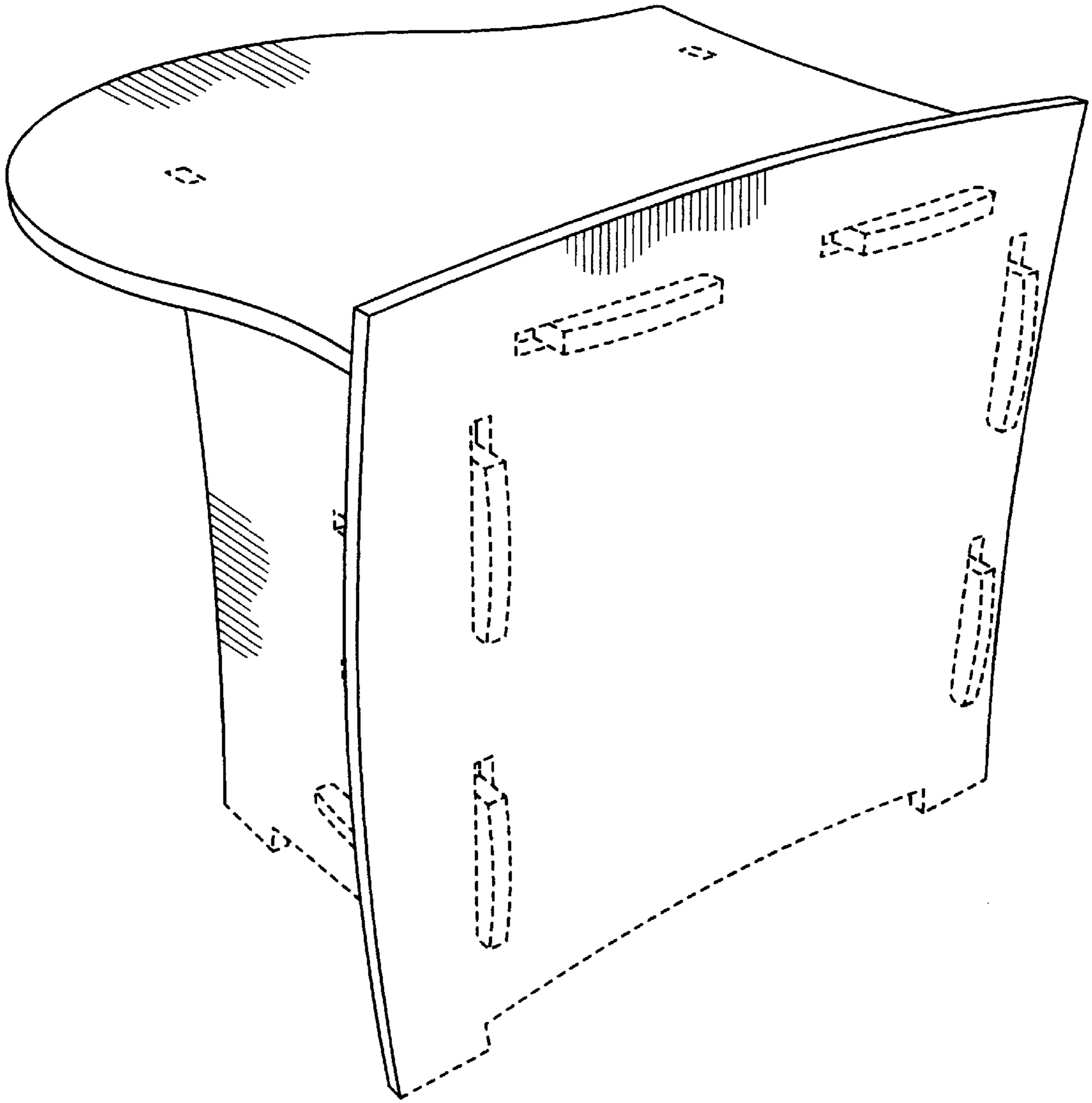


FIG. 4

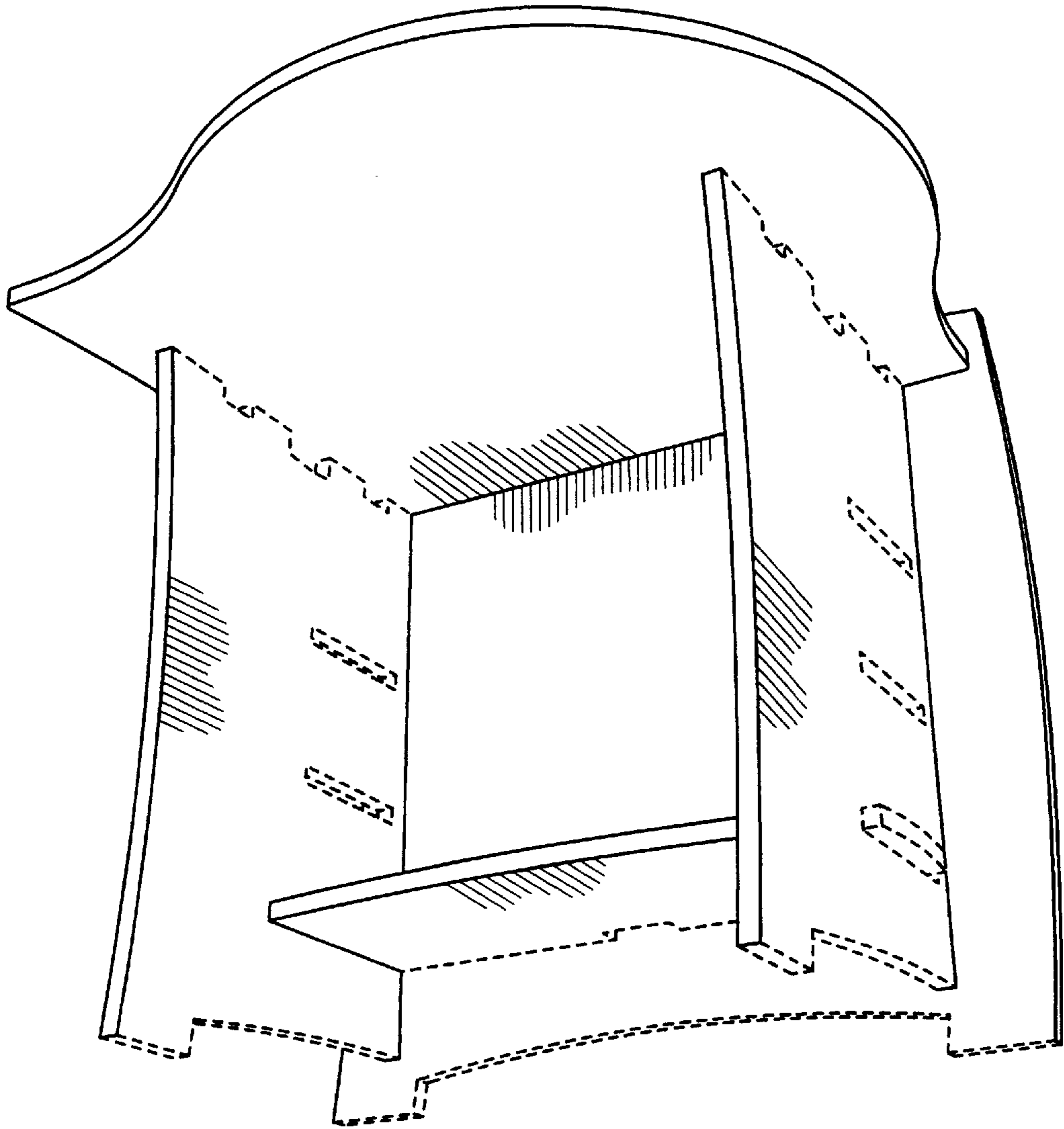


FIG. 5