



US00D431388S

United States Patent [19]

Zorzetto

[11] Patent Number: Des. 431,388

[45] Date of Patent: ** Oct. 3, 2000

[54] BED FRAME DESIGN

D. 396,977 8/1998 Wanek et al. D6/505
D. 413,455 9/1999 Lacroix et al. D6/393

[75] Inventor: Giuseppe Zorzetto, Maron di Brugnera, Italy

OTHER PUBLICATIONS

Ethan Allen, c1998, 11-5640 sleigh bed at top left.

[73] Assignee: Julia Arredamenti S.P.A., Maron di Brugnera, Italy

Primary Examiner—Janice E. Seeger
Attorney, Agent, or Firm—Harrison & Egbert

[**] Term: 14 Years

[57] CLAIM

[21] Appl. No.: 29/112,399

The ornamental design for a bed frame design, as shown and described.

[22] Filed: Oct. 18, 1999

DESCRIPTION

[51] LOC (7) Cl. 06-01

[52] U.S. Cl. D6/393

[58] Field of Search D6/382-385, 389-395,
D6/505-508; 5/200.1, 310, 286, 53.1, 280,
281, 907

FIG. 1 is an upper perspective view of a bed frame design showing my design.

FIG. 2 is a front view thereof;

FIG. 3 is a back view thereof;

FIG. 4 is a side view thereof;

FIG. 5 is an opposite side view thereof;

FIG. 6 is a top view thereof; and,

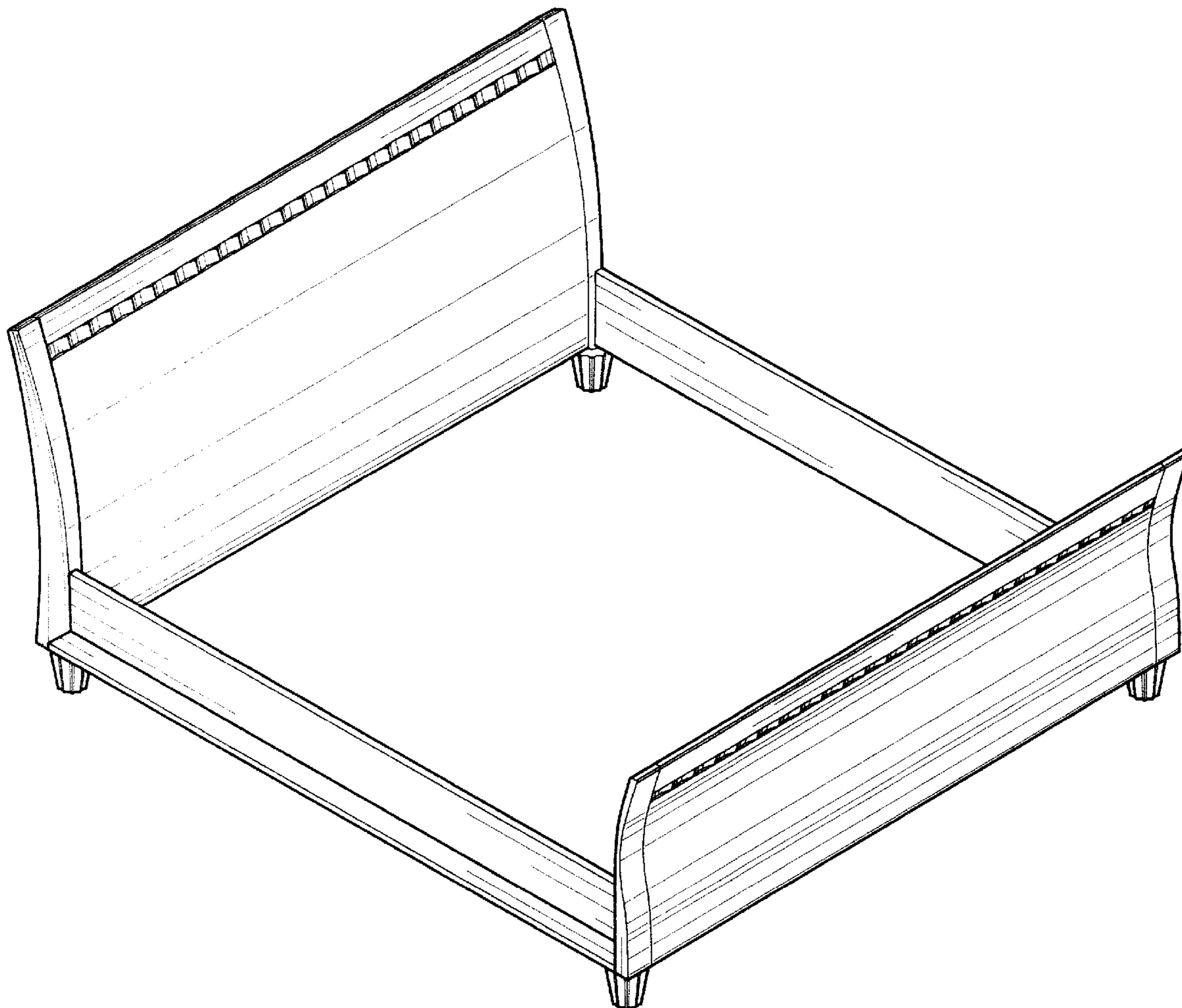
FIG. 7 is a bottom view thereof.

[56] References Cited

U.S. PATENT DOCUMENTS

D. 91,104 11/1933 Douglass D6/393
D. 393,378 4/1998 Hutton D6/393

1 Claim, 5 Drawing Sheets



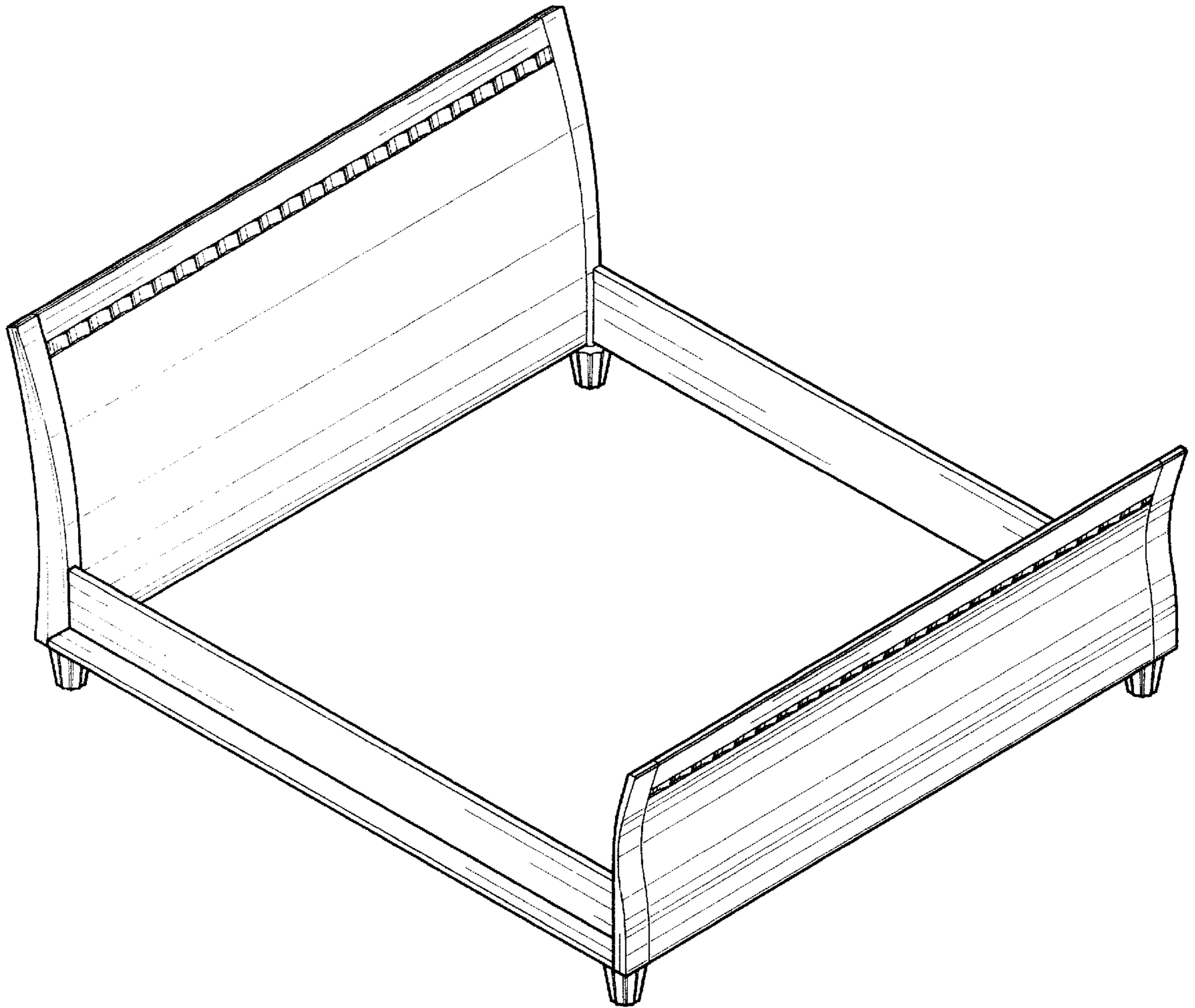


FIG. 1

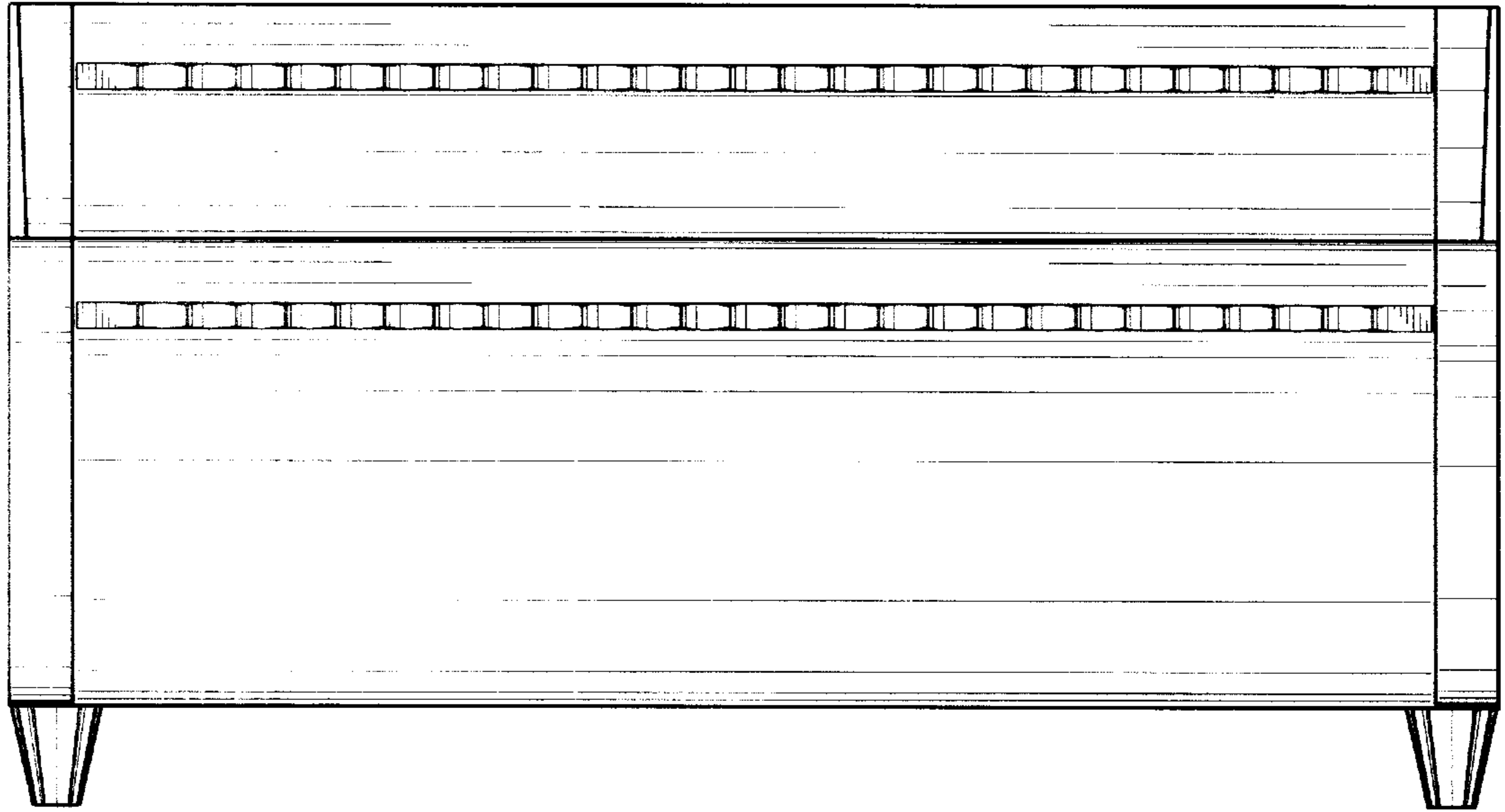


FIG. 2

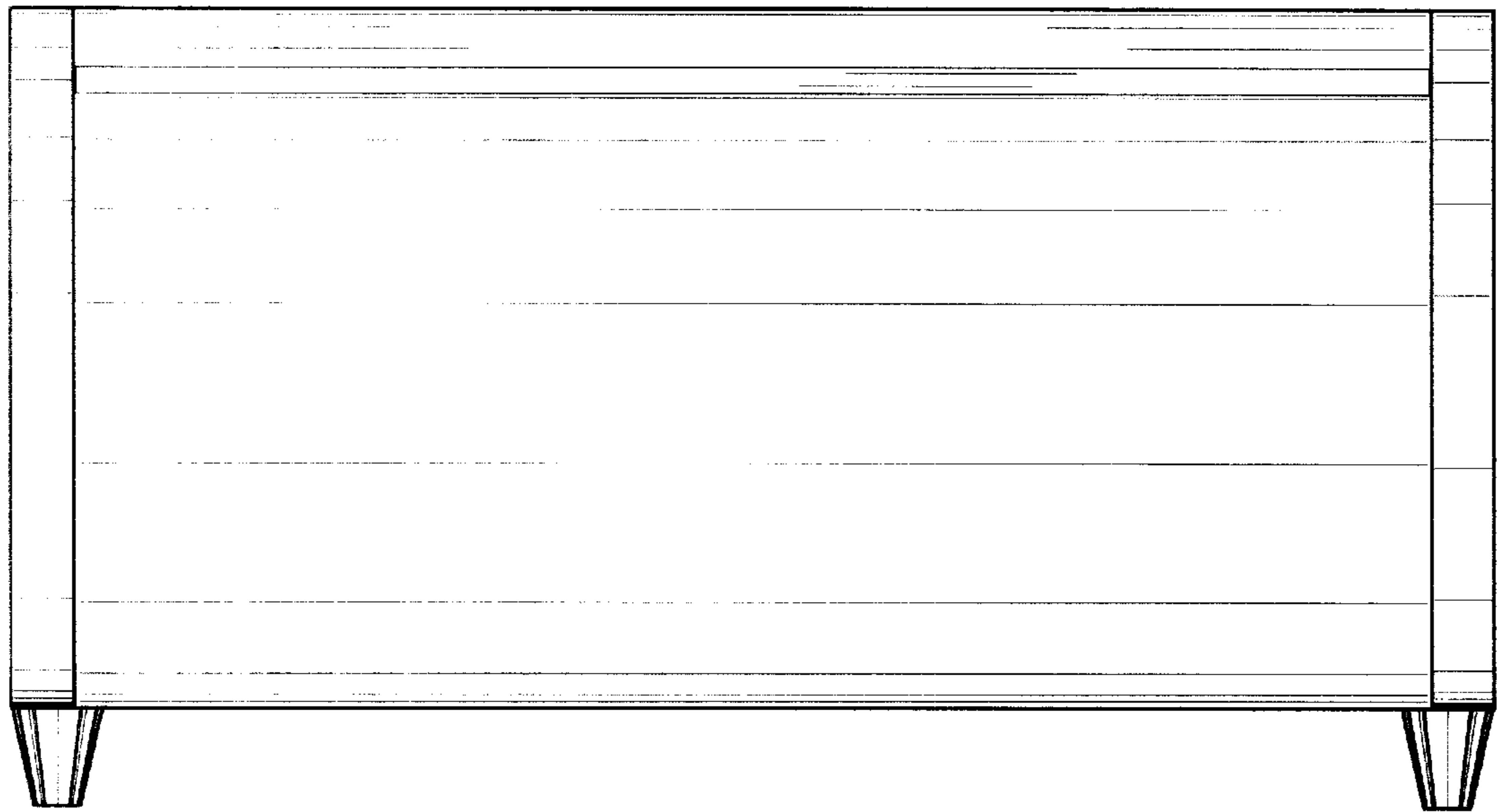


FIG. 3

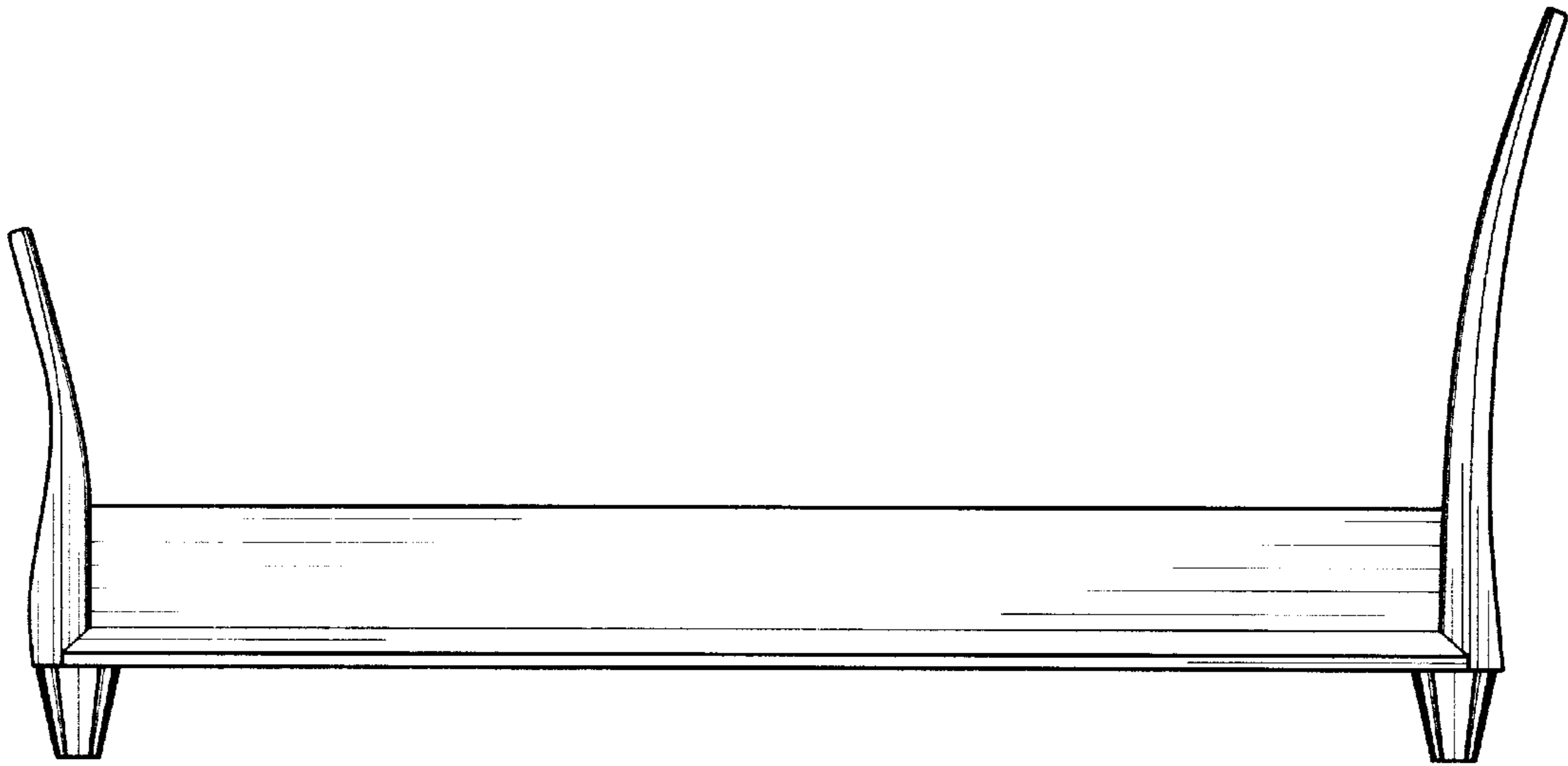


FIG. 4

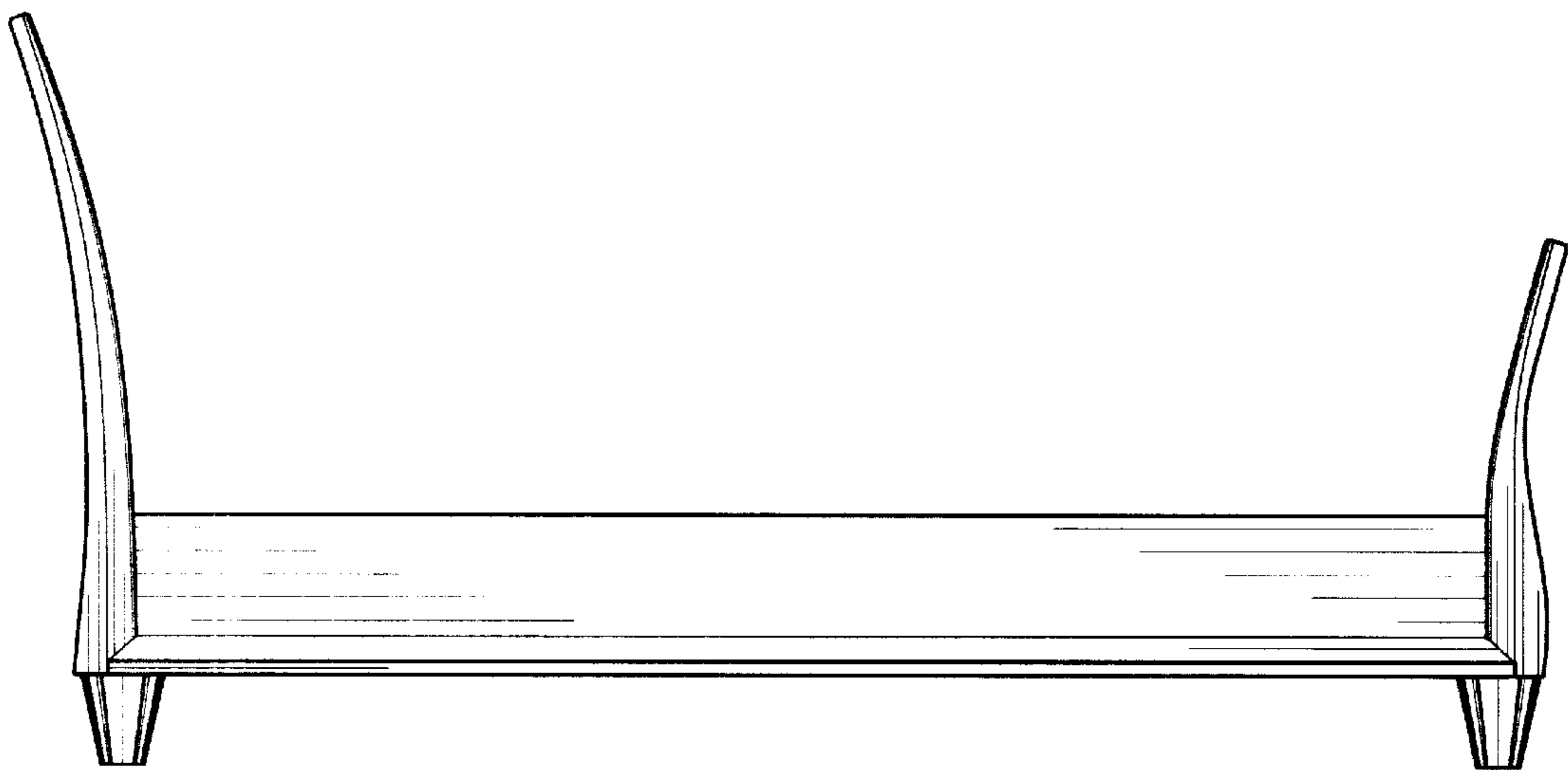


FIG. 5

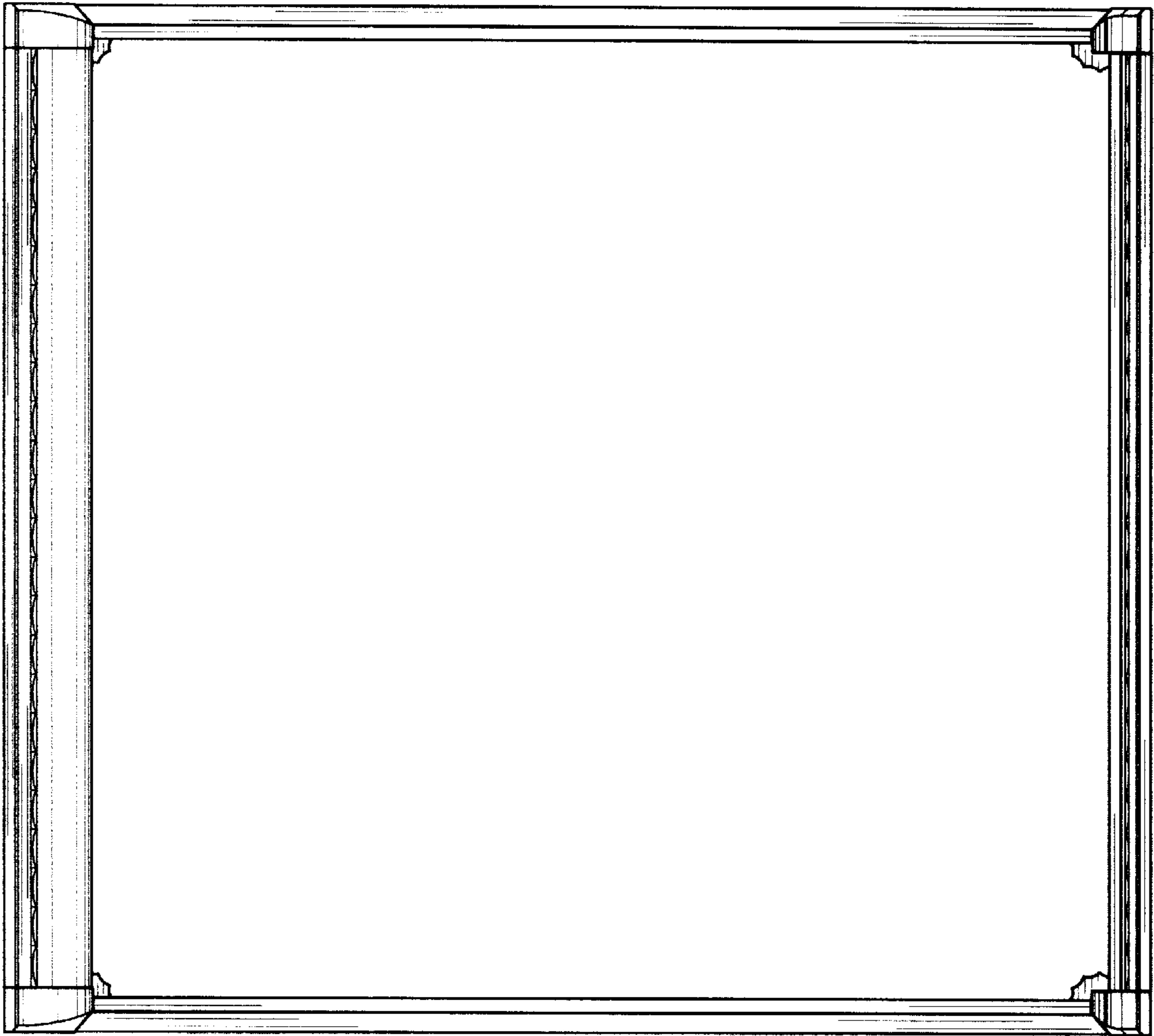


FIG. 6

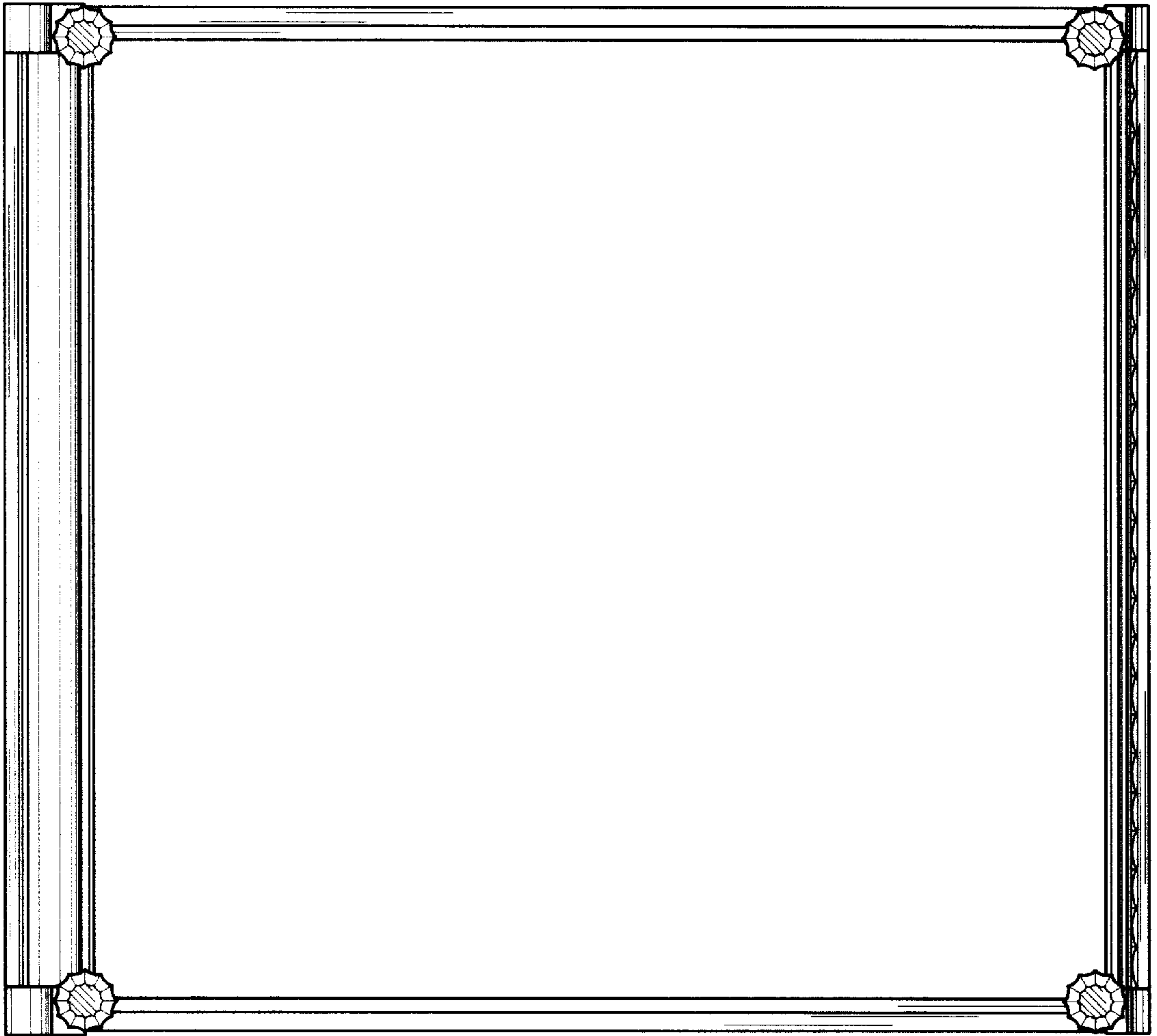


FIG. 7