



US00D431382S

United States Patent [19]

Eloge et al.

[11] Patent Number: Des. 431,382

[45] Date of Patent: ** Oct. 3, 2000

[54] FOLDABLE CHAIR

[75] Inventors: **Geoffrey E. Eloge; Burton Sparling Davis, IV**, both of Charlotte, N.C.

[73] Assignee: **O2 Designs, Inc.**, Charlotte, N.C.

[**] Term: **14 Years**

[21] Appl. No.: **29/115,042**

[22] Filed: **Dec. 6, 1999**

[51] LOC (7) Cl. **06-01**

[52] U.S. Cl. **D6/368**

[58] Field of Search D6/334, 335, 336, D6/360, 361, 367, 368, 373, 374, 375, 500-502, 601, 610, 611; 297/16.2, 45, 46, 55, 56, 57, 440.1, 452.13

[56] References Cited

U.S. PATENT DOCUMENTS

D. 282,985	3/1986	Cronk	D6/373
D. 421,192	2/2000	White	D6/368
4,359,244	11/1982	Koehm	297/16.2
4,717,201	1/1988	Barras	297/16.2
4,826,241	5/1989	Barras	297/16.2
5,058,950	10/1991	Mann	297/16.2

Primary Examiner—Doris V. Coles
Assistant Examiner—Mimosa De
Attorney, Agent, or Firm—Dougherty & Associates

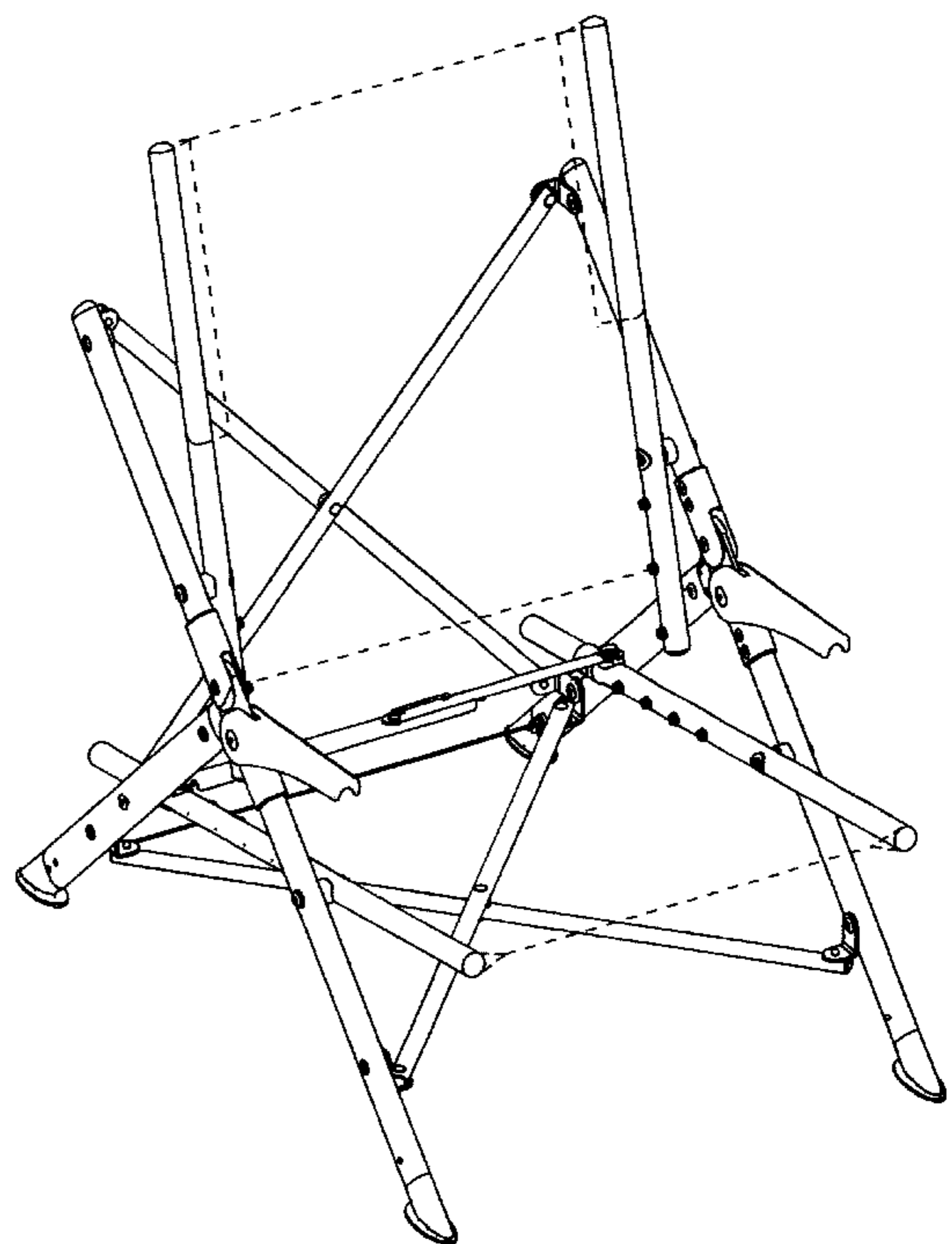
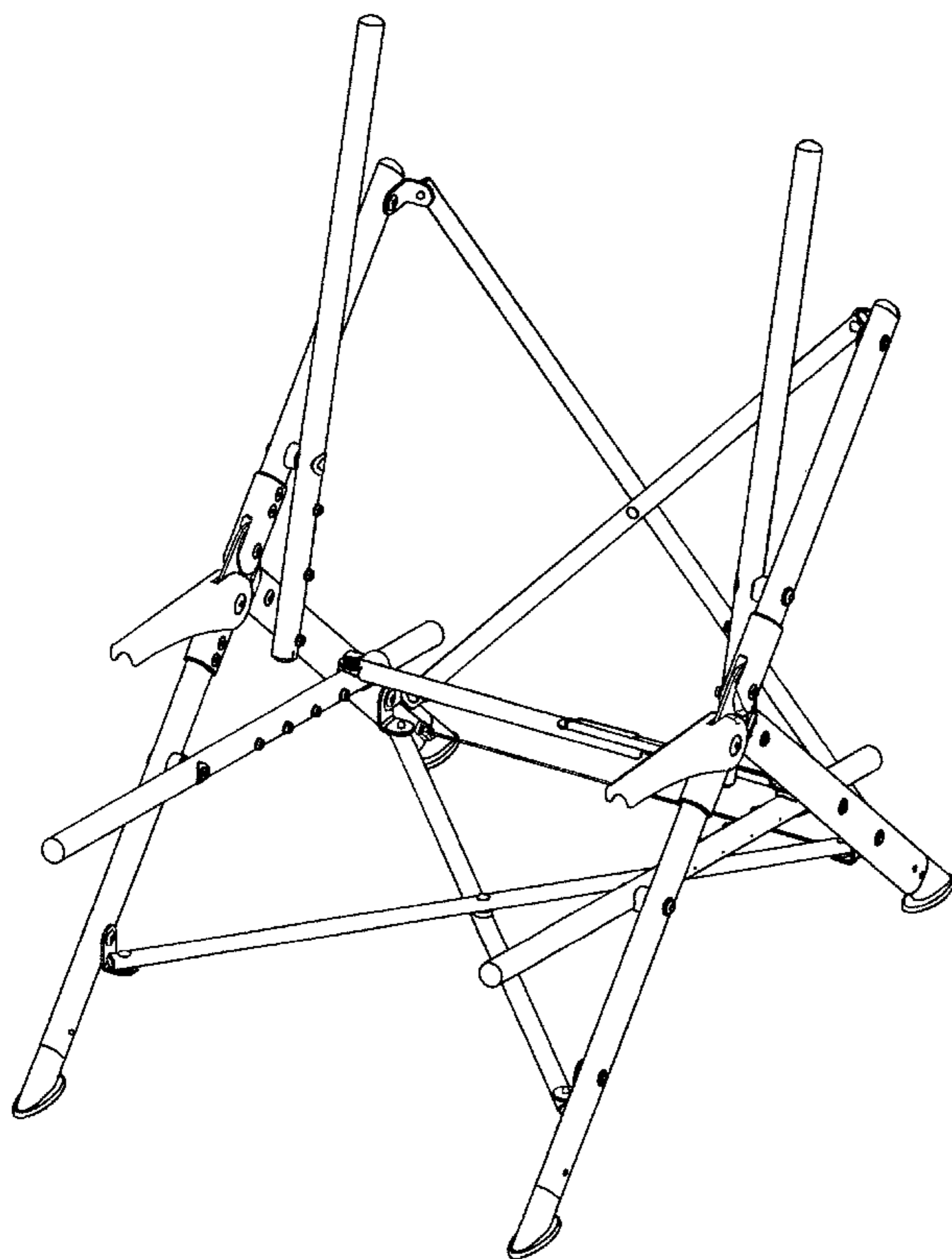
[57] CLAIM

The ornamental design for a foldable chair, as shown and described.

DESCRIPTION

FIG. 1 is an isometric view of the foldable chair showing our new design;
 FIG. 2 is an isometric view thereof on a reduced scale, it being understood that the broken lines showing a fabric back and seat are for illustrative purposes only and form no part of the claimed design;
 FIG. 3 is a top plan view of the foldable chair on a reduced scale;
 FIG. 4 is a bottom plan view thereof on a reduced scale;
 FIG. 5 is a right side elevational view thereof on a reduced scale;
 FIG. 6 is a front elevational view thereof on a reduced scale;
 FIG. 7 is a left side elevational view thereof on a reduced scale; and,
 FIG. 8 is a rear elevational view thereof on a reduced scale.

1 Claim, 5 Drawing Sheets



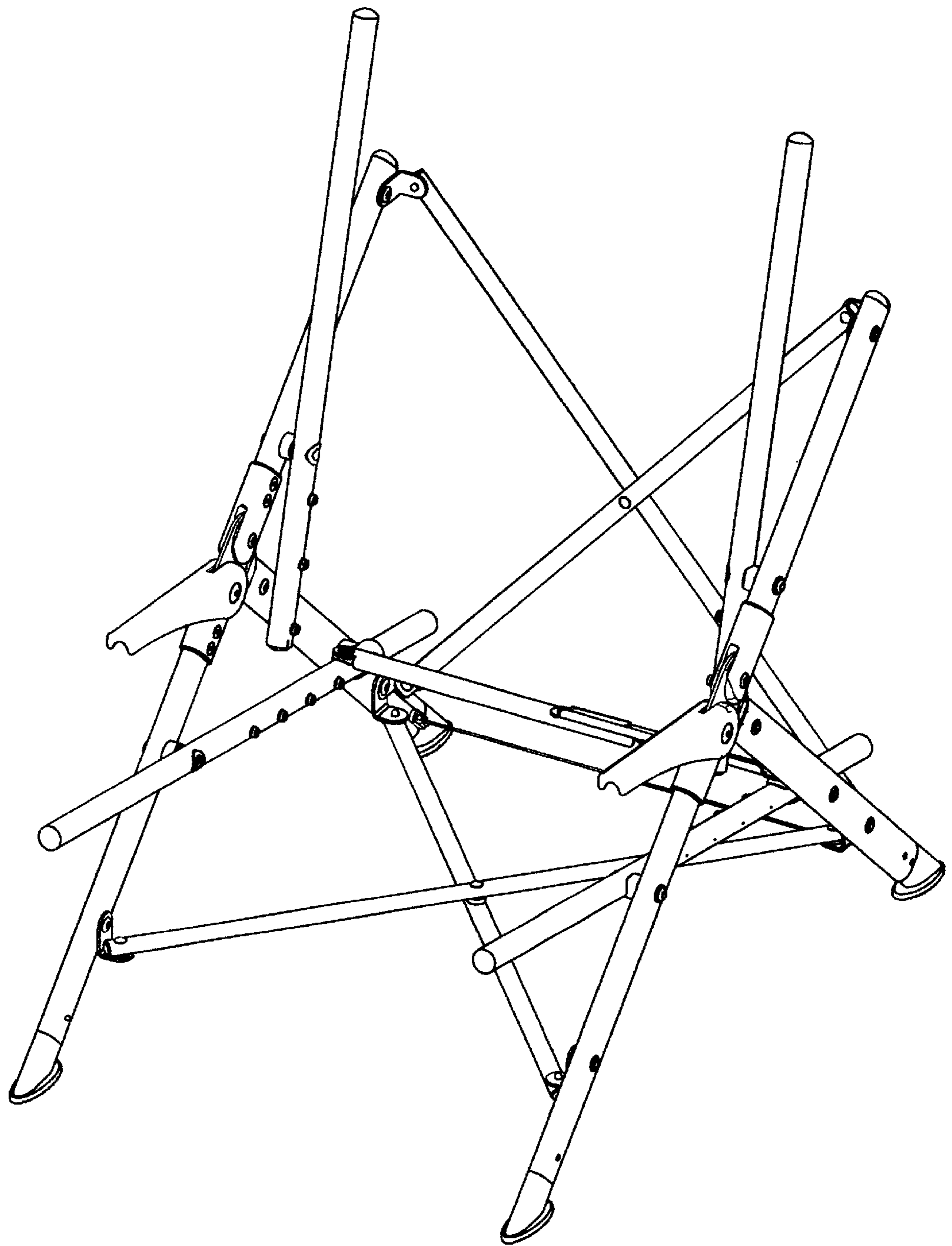


Fig. 1

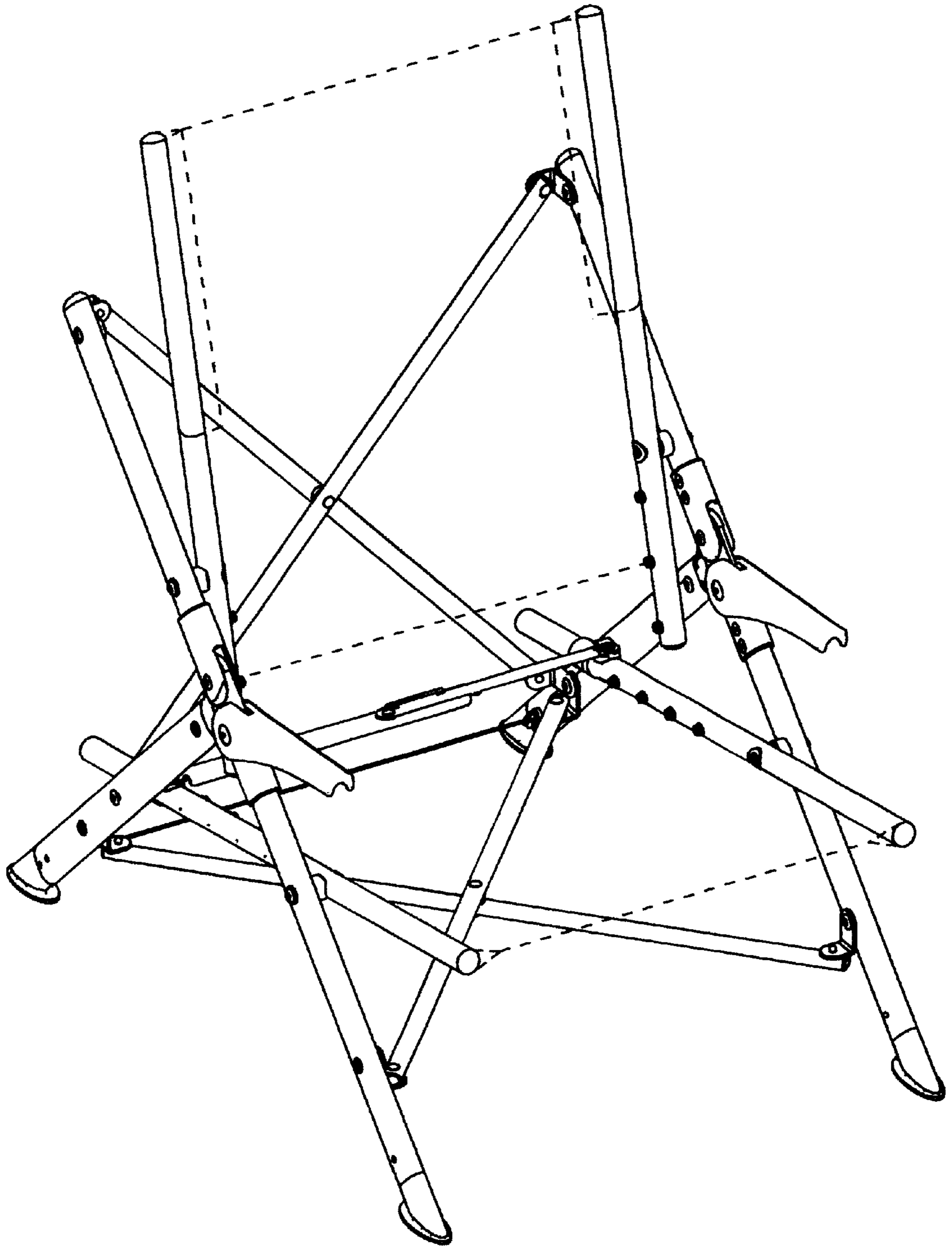


Fig. 2

Fig. 3

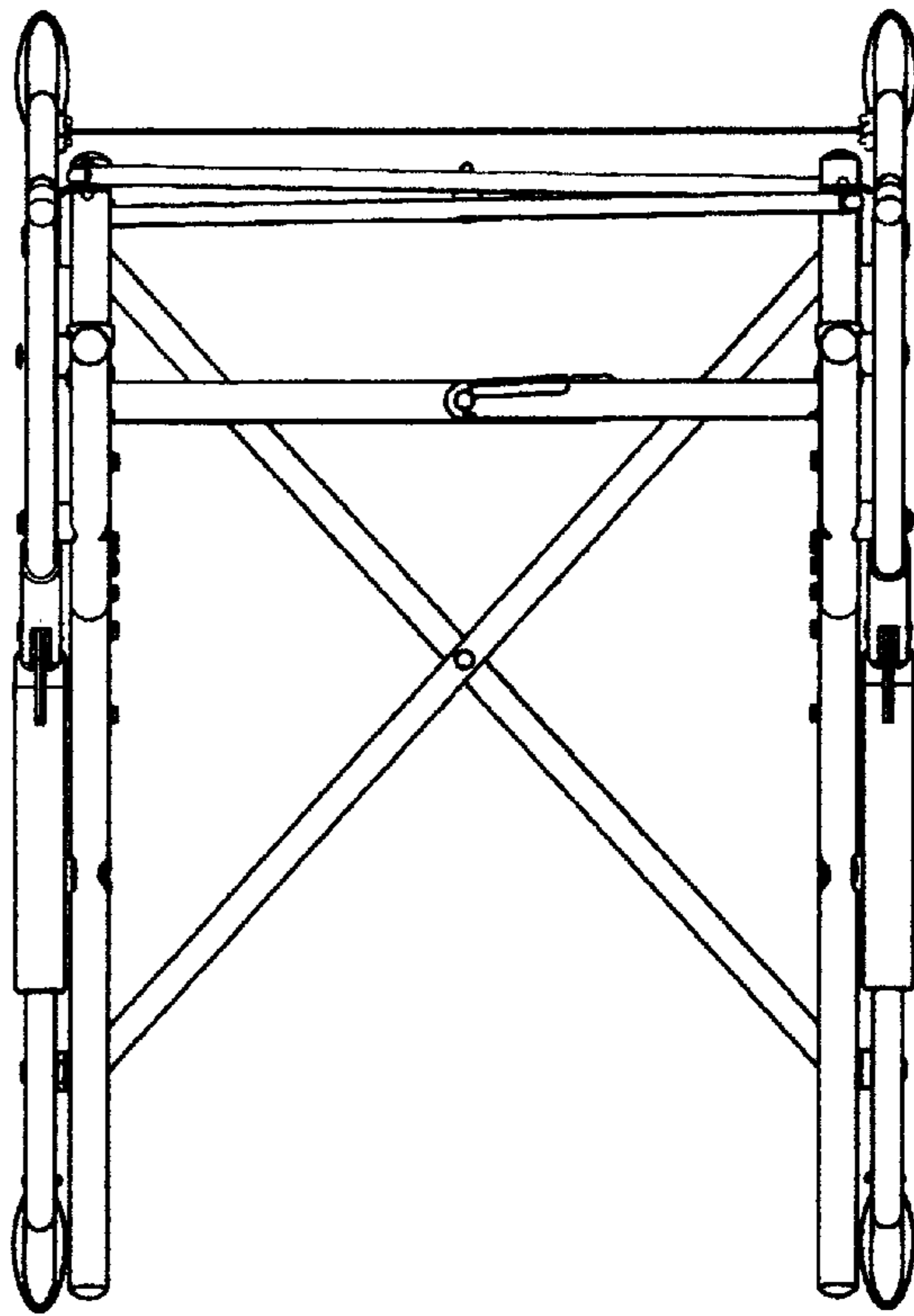
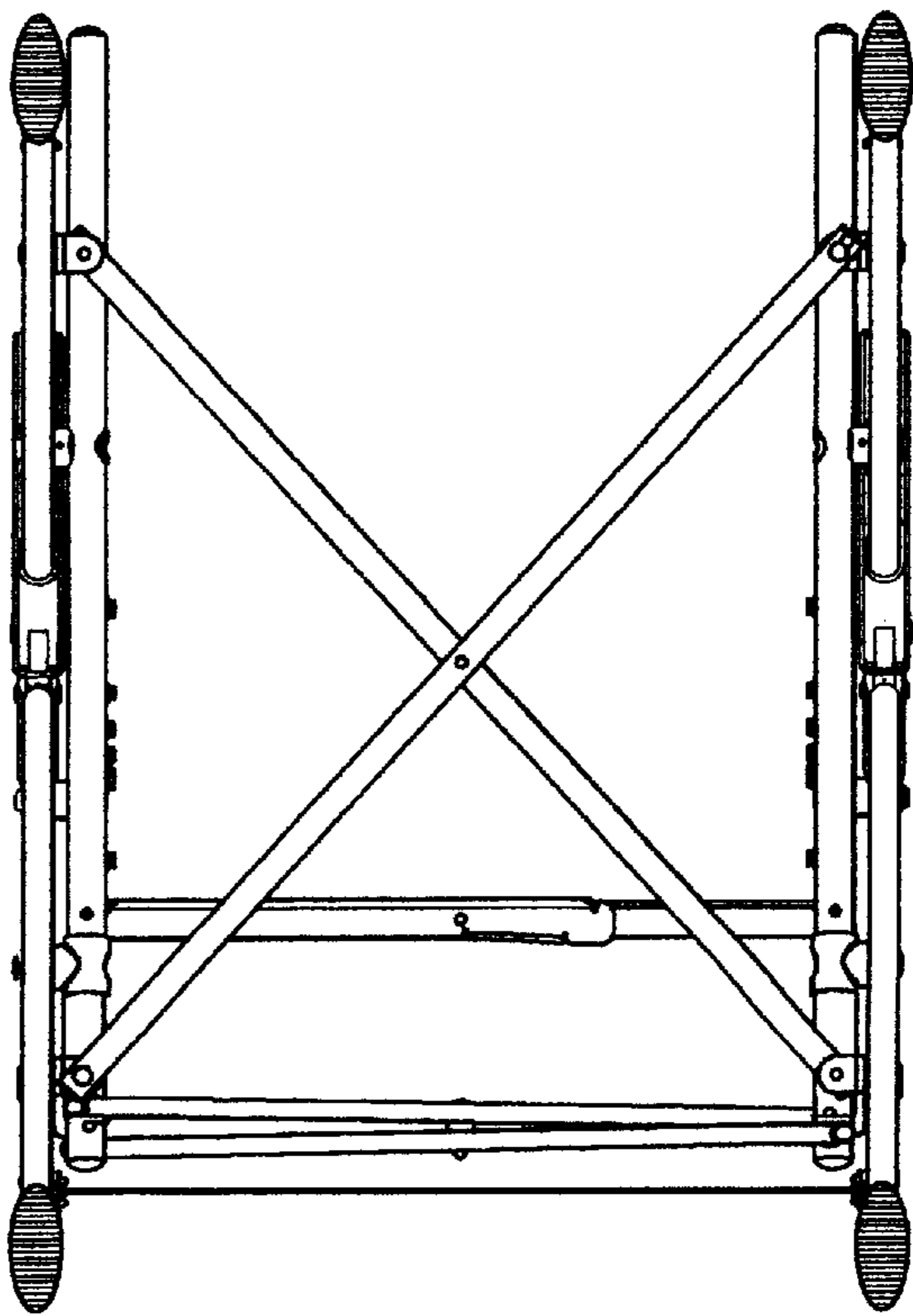


Fig. 4



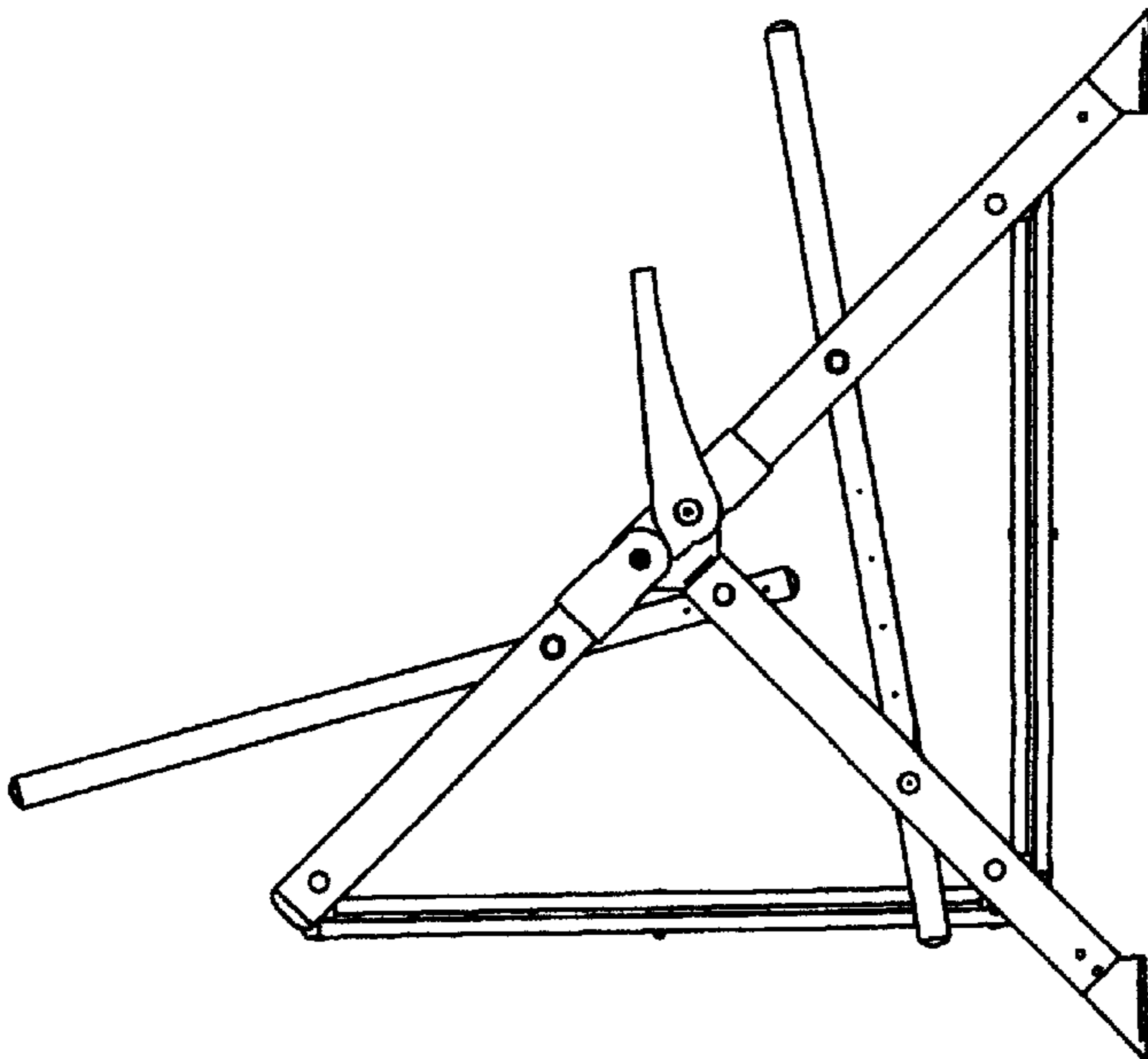


Fig. 5

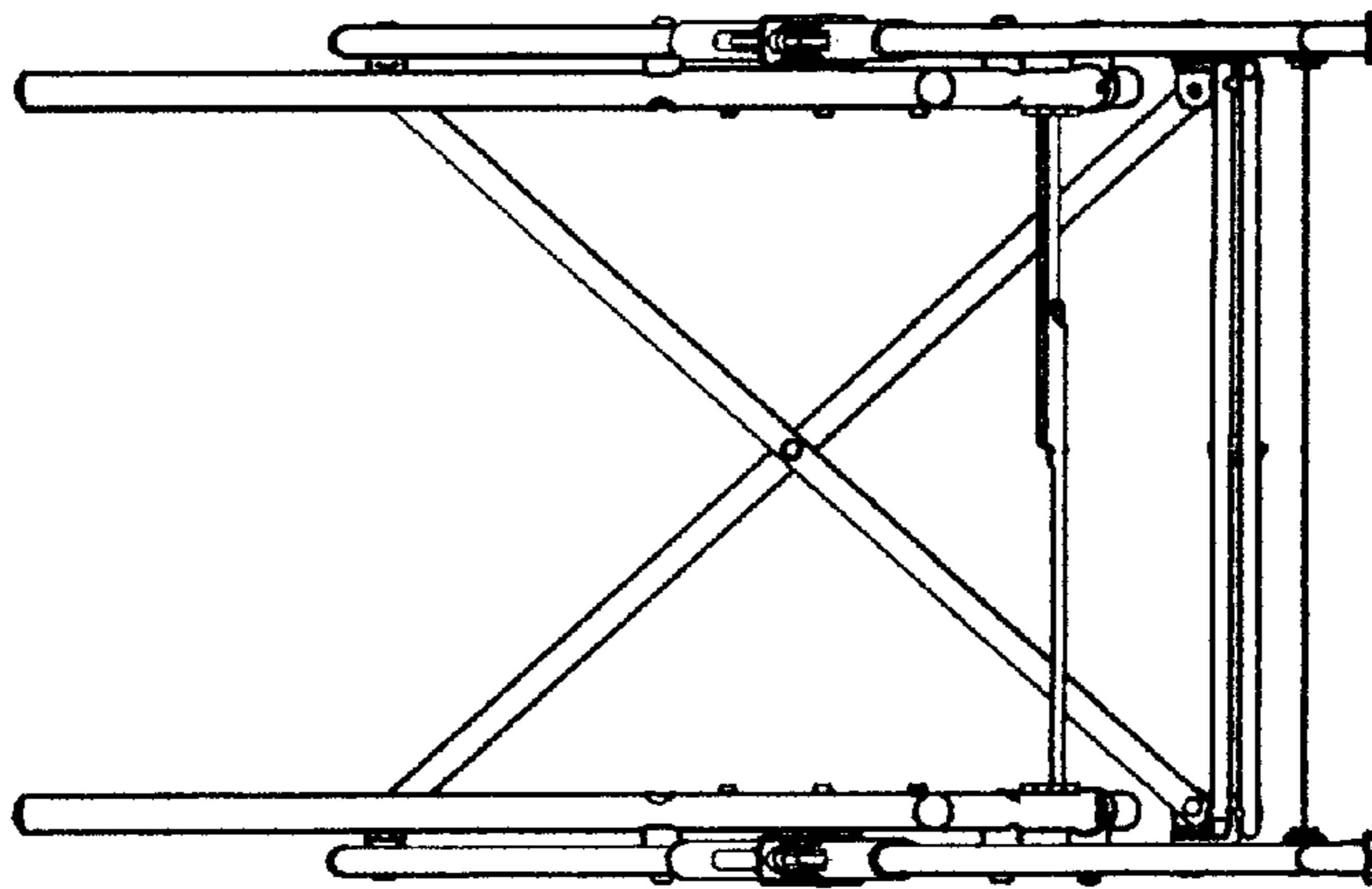


Fig. 6

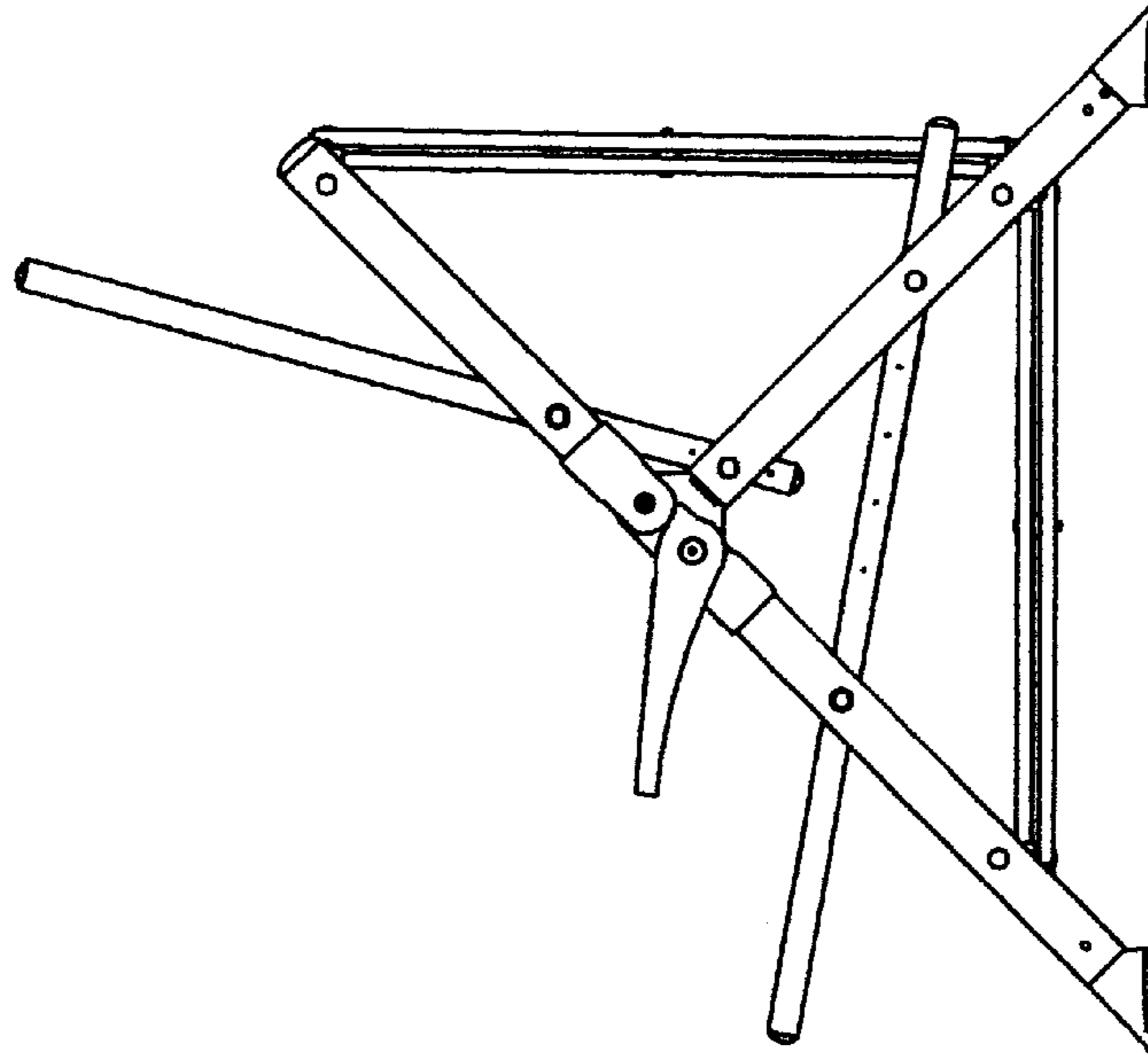


Fig. 7

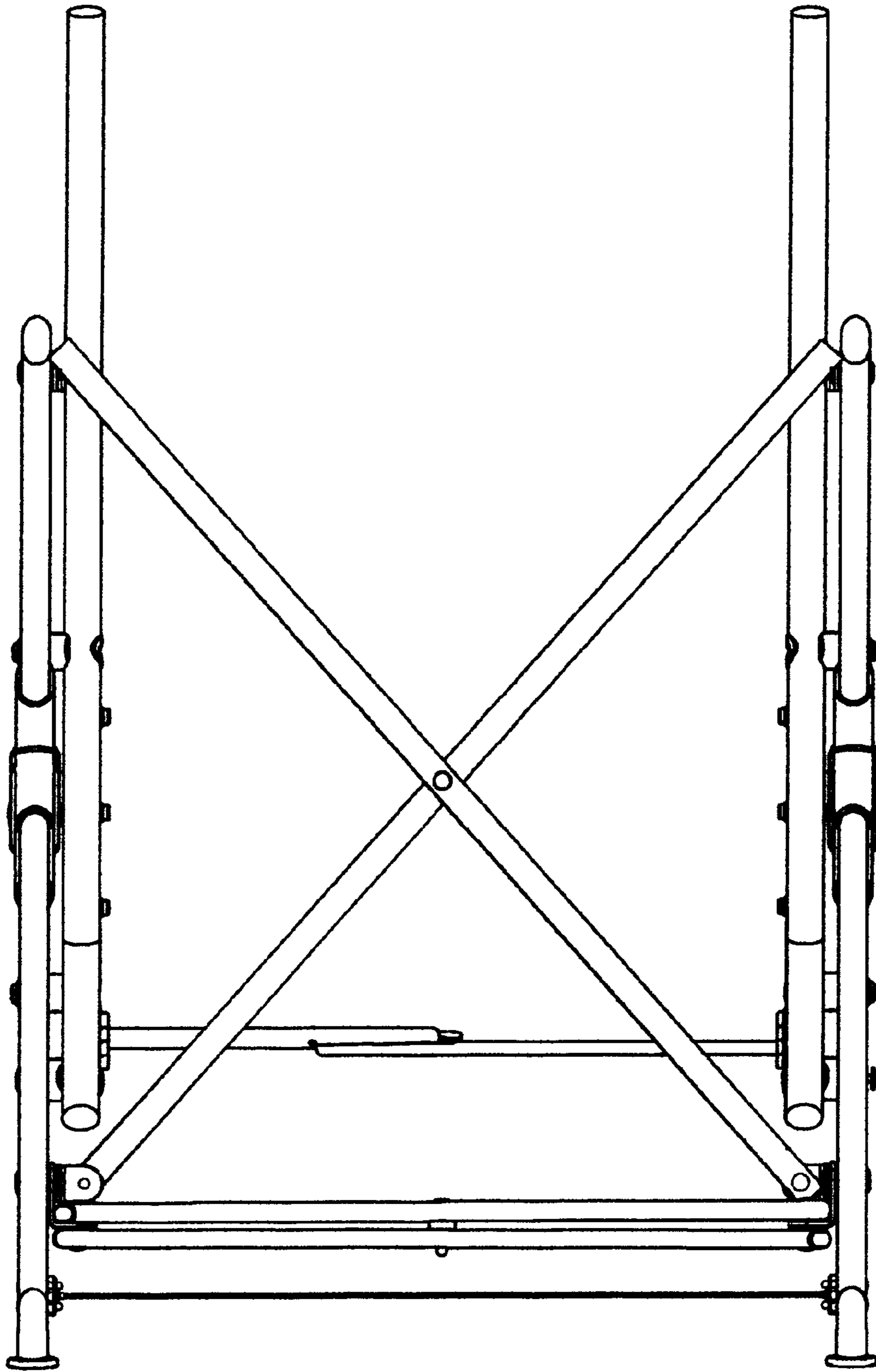


Fig. 8