



US00D431360S

United States Patent [19] Fang

[11] **Patent Number: Des. 431,360**

[45] **Date of Patent: ** Oct. 3, 2000**

[54] **TOOL BOX**

D. 390,358 2/1998 Calmeise D3/295
D. 399,652 10/1998 Fang D3/276

[76] Inventor: **Zen-Chieh Fang**, P.O. Box, 14-414,
Ban-Chiao City, Taipei Hsien, Taiwan

Primary Examiner—Philip S. Hyder
Attorney, Agent, or Firm—A & J

[**] Term: **14 Years**

[57] **CLAIM**

[21] Appl. No.: **29/103,688**

The ornamental design for a tool box, as shown and described.

[22] Filed: **Apr. 16, 1999**

DESCRIPTION

[51] **LOC (7) Cl.** **03-01**

[52] **U.S. Cl.** **D3/282; D3/294; D3/295;**
D3/905

[58] **Field of Search** D3/272, 273, 276,
D3/281, 291, 294, 295, 905; 206/315.1,
349, 372, 373, 379; 190/110, 100

FIG. 1 is a front-left-top perspective view of a tool box, showing my new design;

FIG. 2 is a front elevational view thereof;

FIG. 3 is a rear elevational view thereof;

FIG. 4 is a left side view thereof;

FIG. 5 is a right side view thereof;

FIG. 6 is a bottom plan view thereof;

FIG. 7 is a top plan view thereof; and,

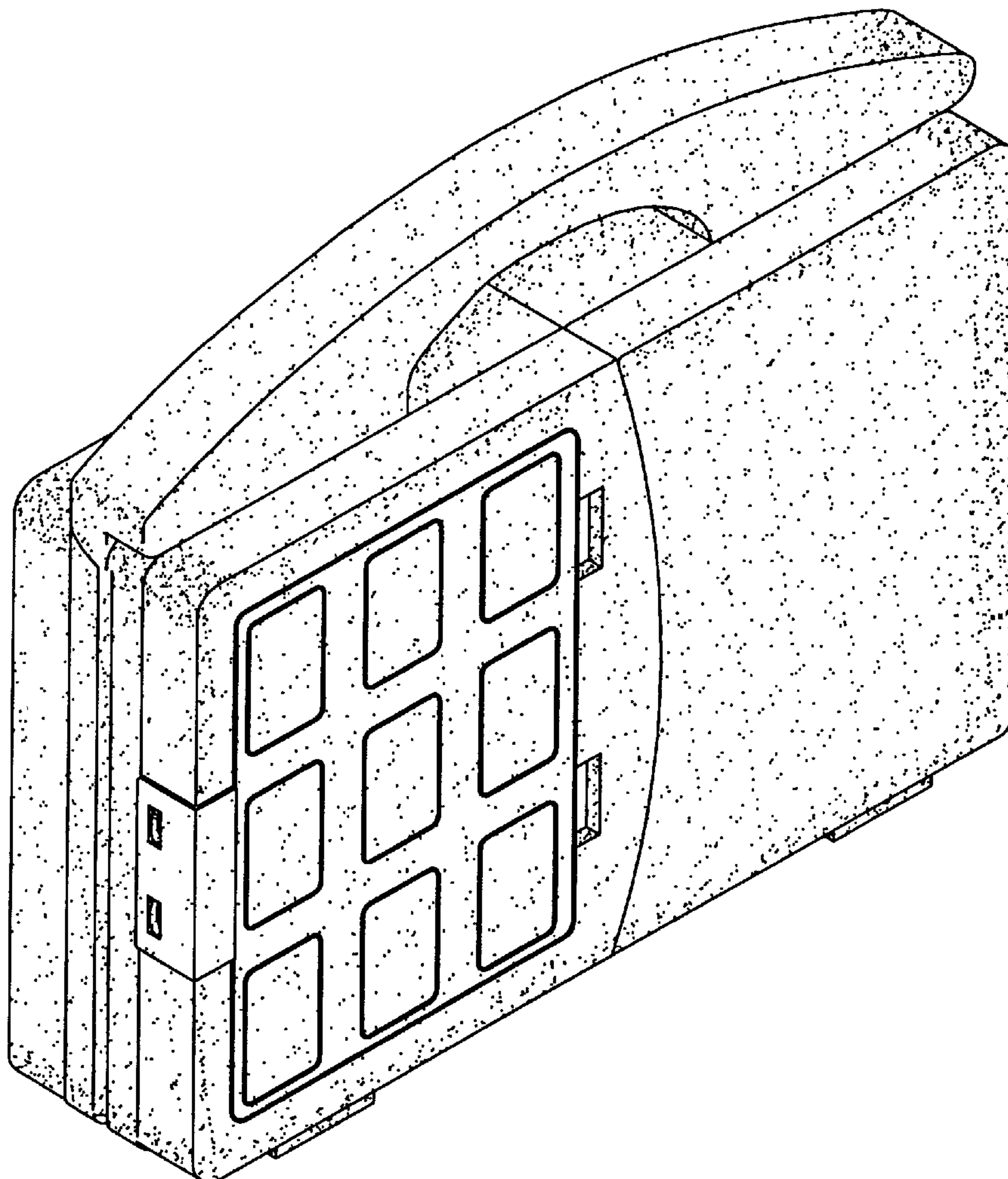
FIG. 8 is a perspective view of the tool box of my new design, the broken line drawing of the interior of the tool box is for illustrative purposes only and forms no part of the claimed design.

[56] **References Cited**

U.S. PATENT DOCUMENTS

D. 309,832 8/1990 Hung D3/282
D. 314,667 2/1991 Hussain D3/274
D. 367,557 3/1996 Chang D3/276
D. 368,371 4/1996 Calmeise D3/276
D. 382,115 8/1997 Chang D3/282

1 Claim, 6 Drawing Sheets



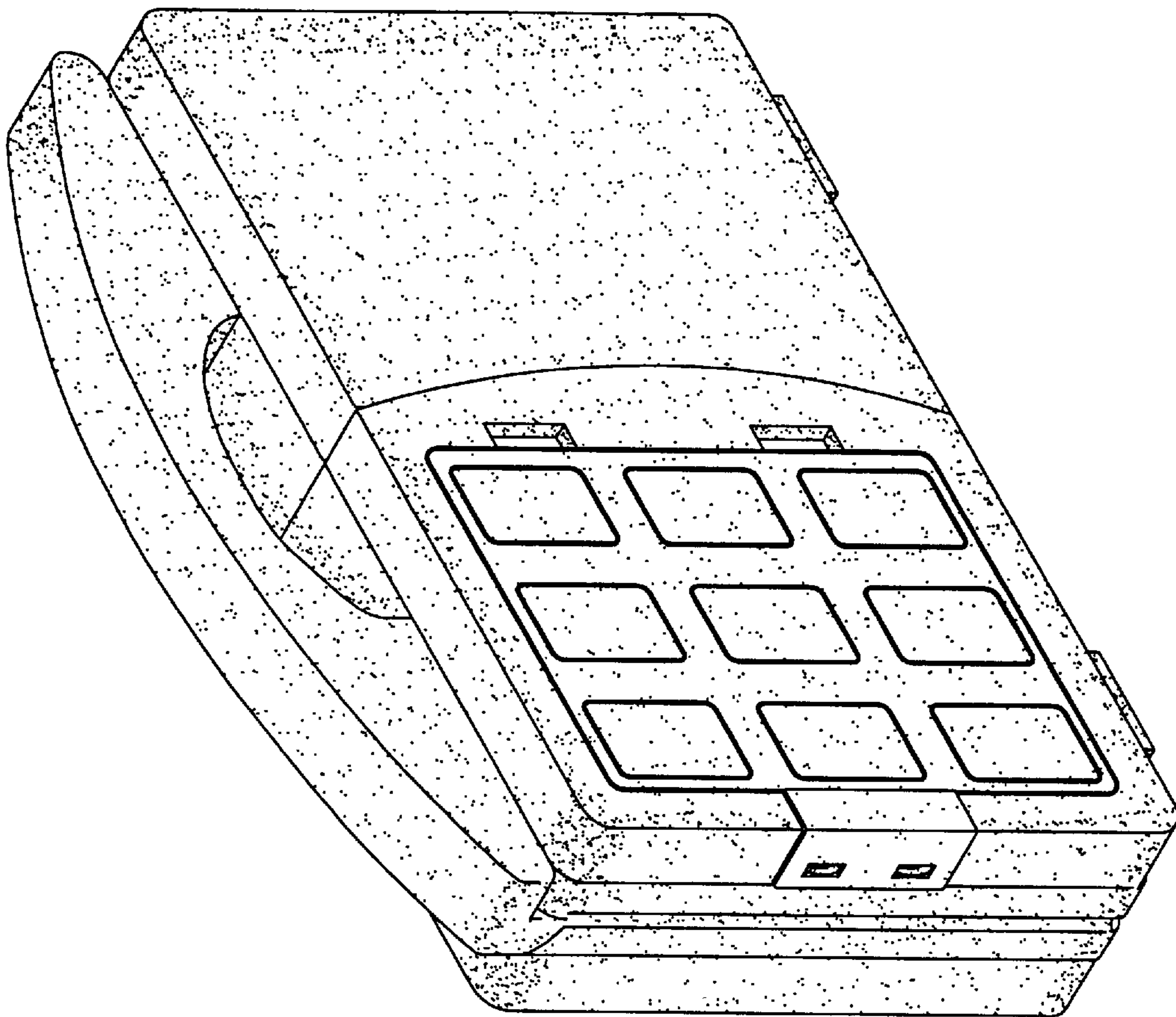


FIG. 1

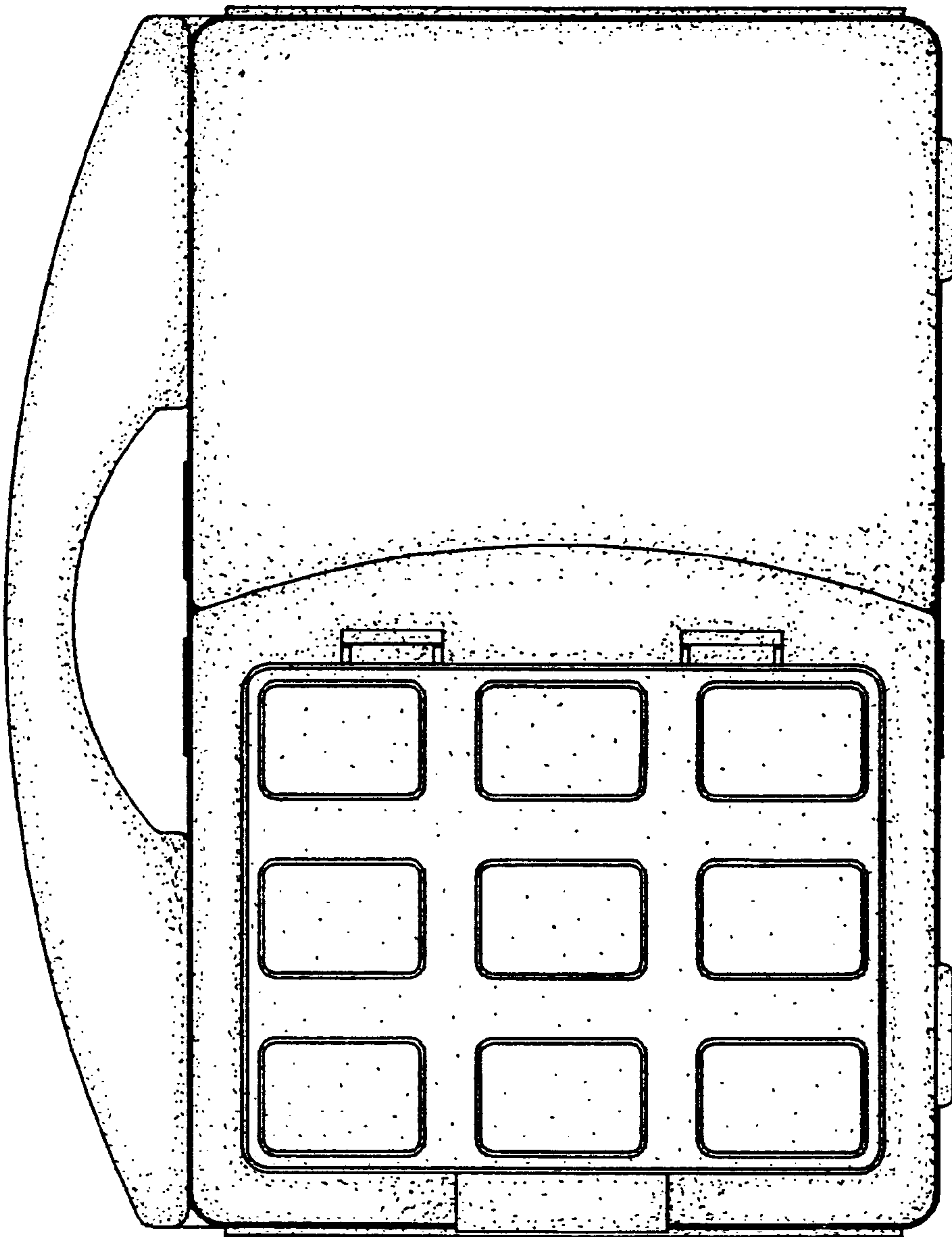


FIG. 2

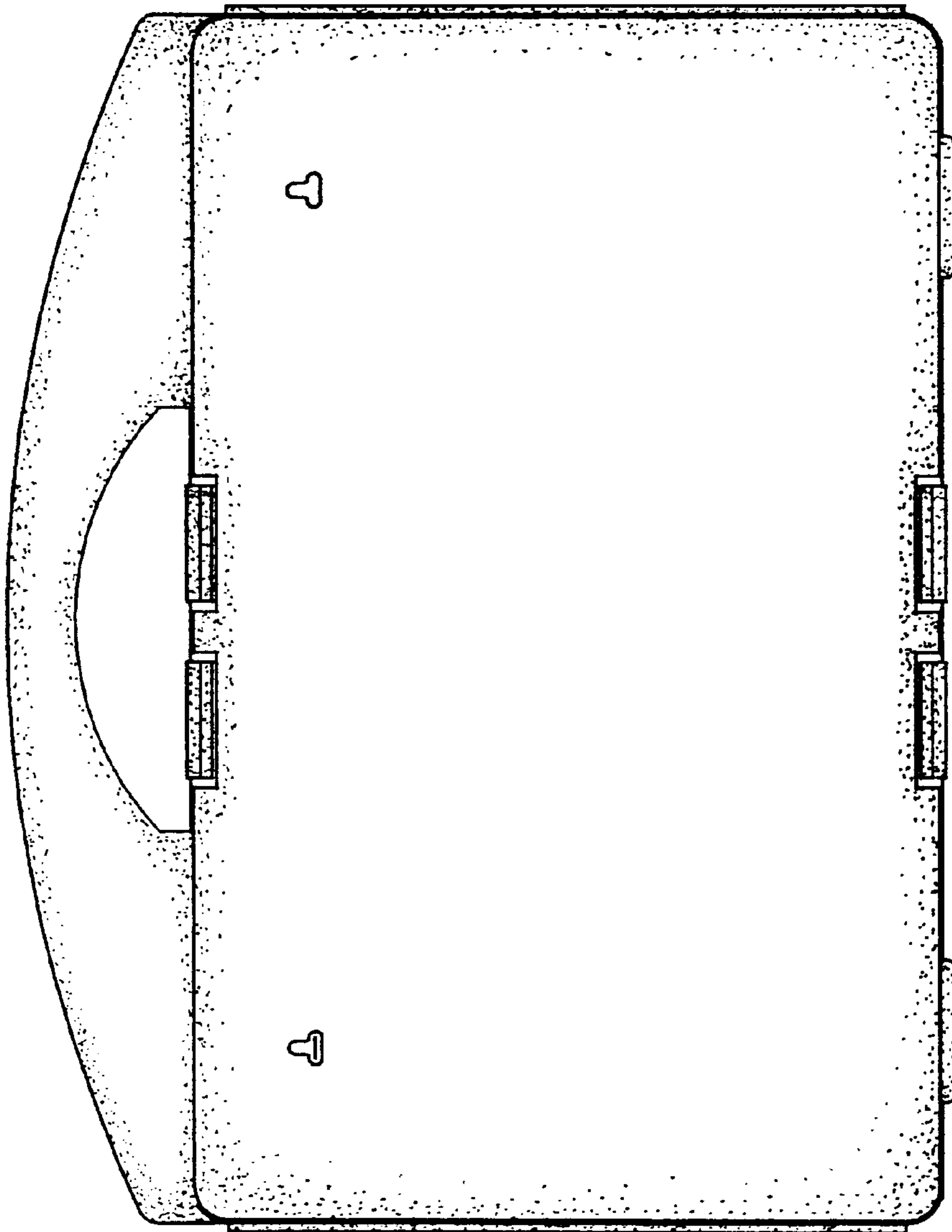


FIG. 3

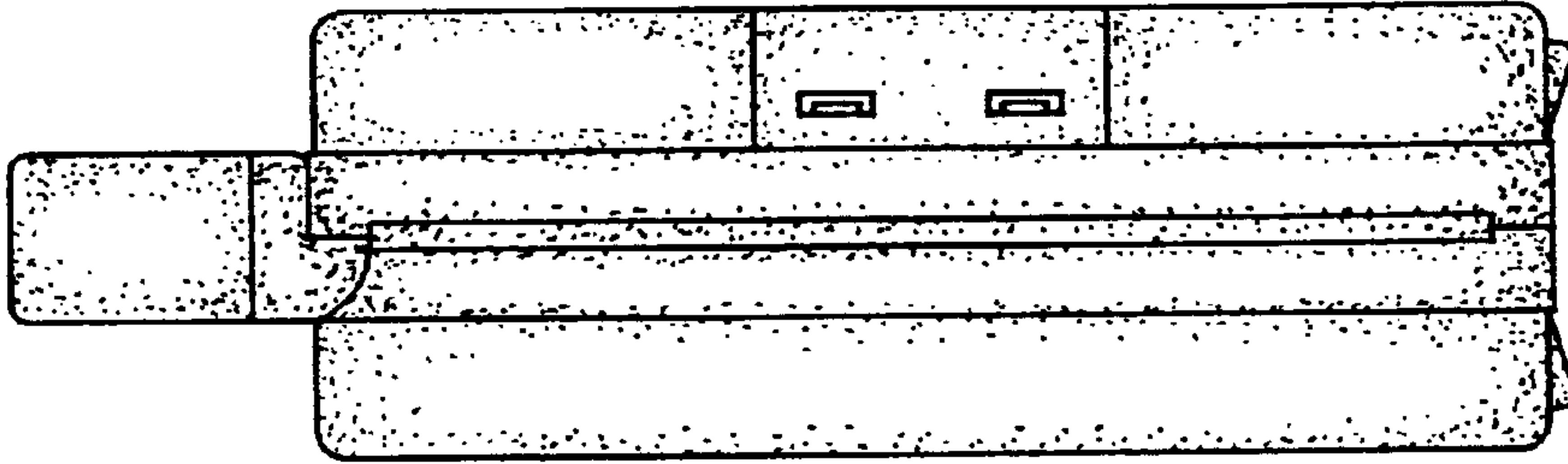


FIG. 4

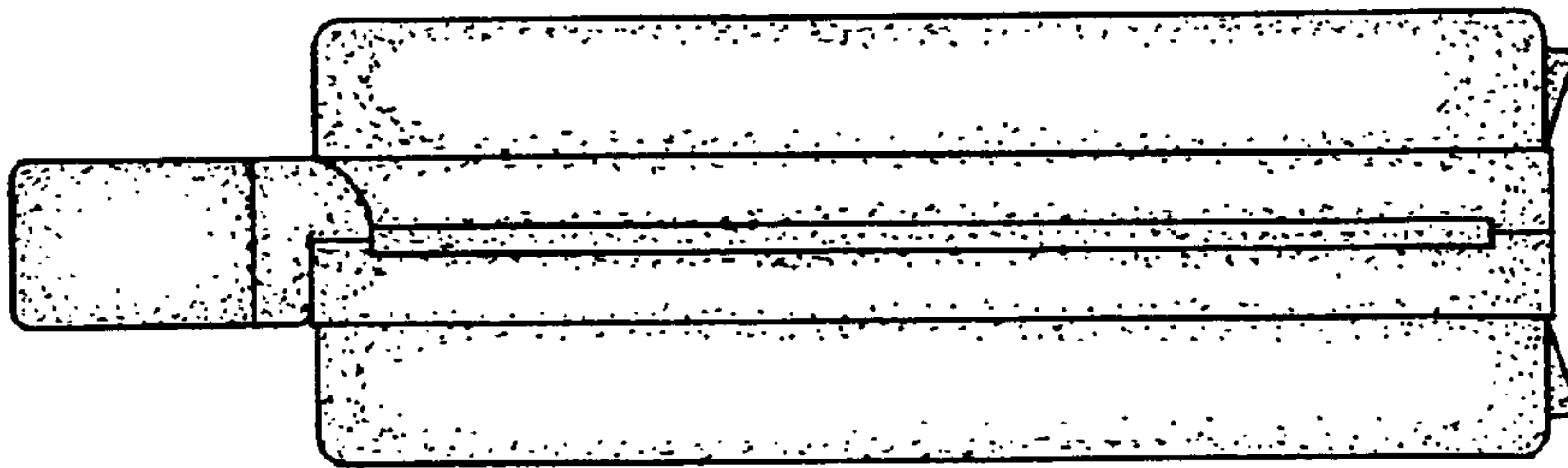


FIG. 5

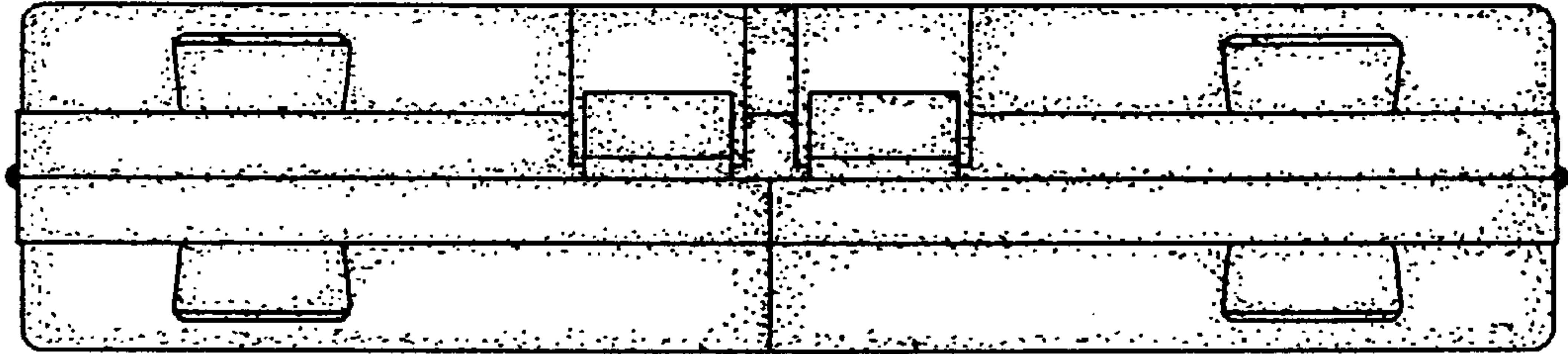


FIG. 6



FIG. 7

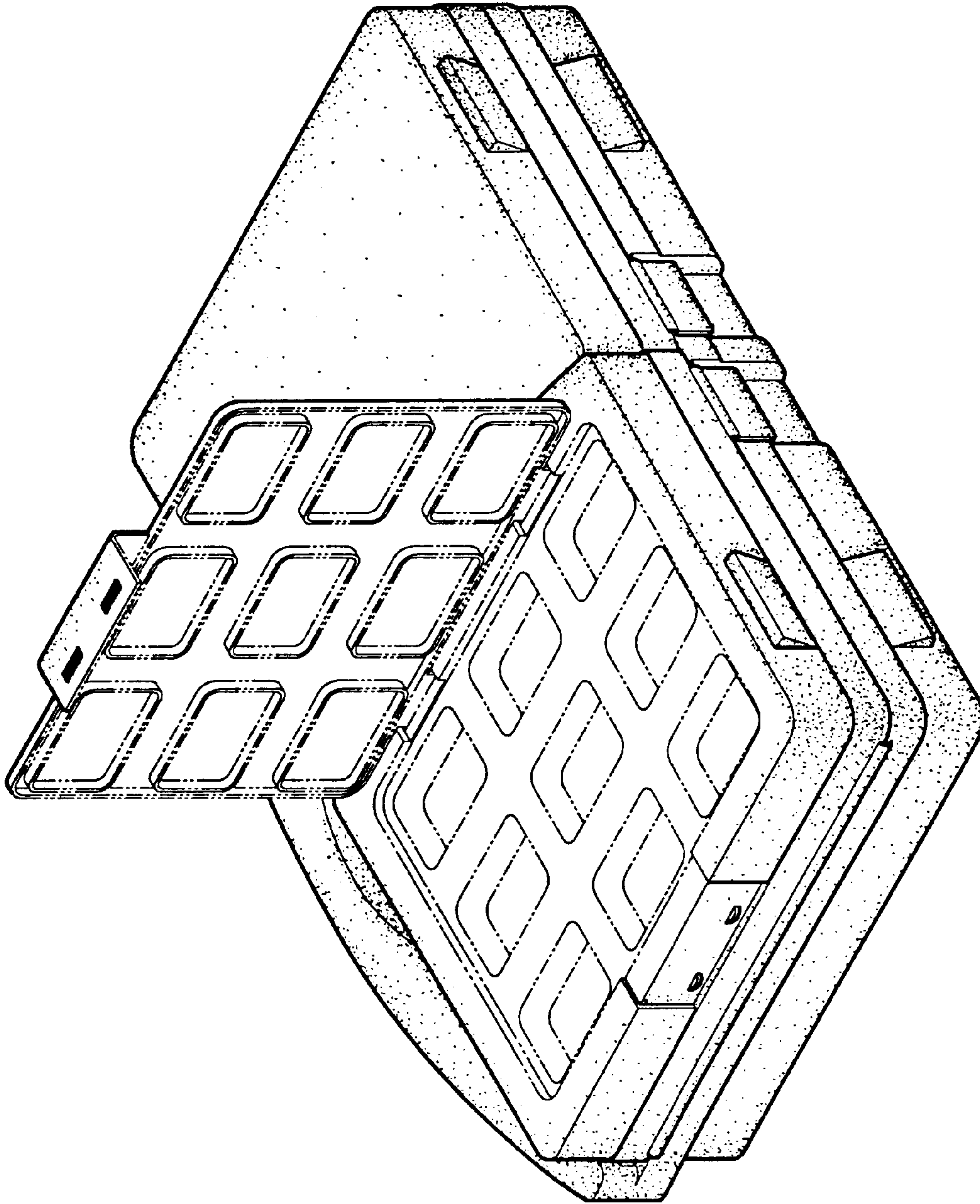


FIG. 8