



US00D431355S

# United States Patent [19]

Boyd, Jr.

[11] Patent Number: **Des. 431,355**

[45] Date of Patent: **\*\* Oct. 3, 2000**

[54] **ZIPPER PULL LIGHT**

[76] Inventor: **Paul D. Boyd, Jr.**, 501 Dublin, Richardson, Tex. 75080

[\*\*] Term: **14 Years**

[21] Appl. No.: **29/117,337**

[22] Filed: **Jan. 22, 2000**

[51] **LOC (7) Cl.** ..... **03-01**

[52] **U.S. Cl.** ..... **D3/209; D26/38**

[58] **Field of Search** ..... D3/207-711; 70/456 R, 70/456 B; 24/3 K, 3.6; D26/38; 207/456 R

[56] **References Cited**

**U.S. PATENT DOCUMENTS**

- D. 250,004 10/1978 Kleiner ..... D11/79
- D. 250,006 10/1978 Kleiner ..... D11/79

- D. 342,830 1/1994 Zeller ..... D3/209
- D. 380,896 7/1997 Grant ..... D3/208
- D. 410,771 6/1999 Chang ..... D3/208
- D. 411,037 6/1999 Chang ..... D3/208

*Primary Examiner*—Ralf Seifert

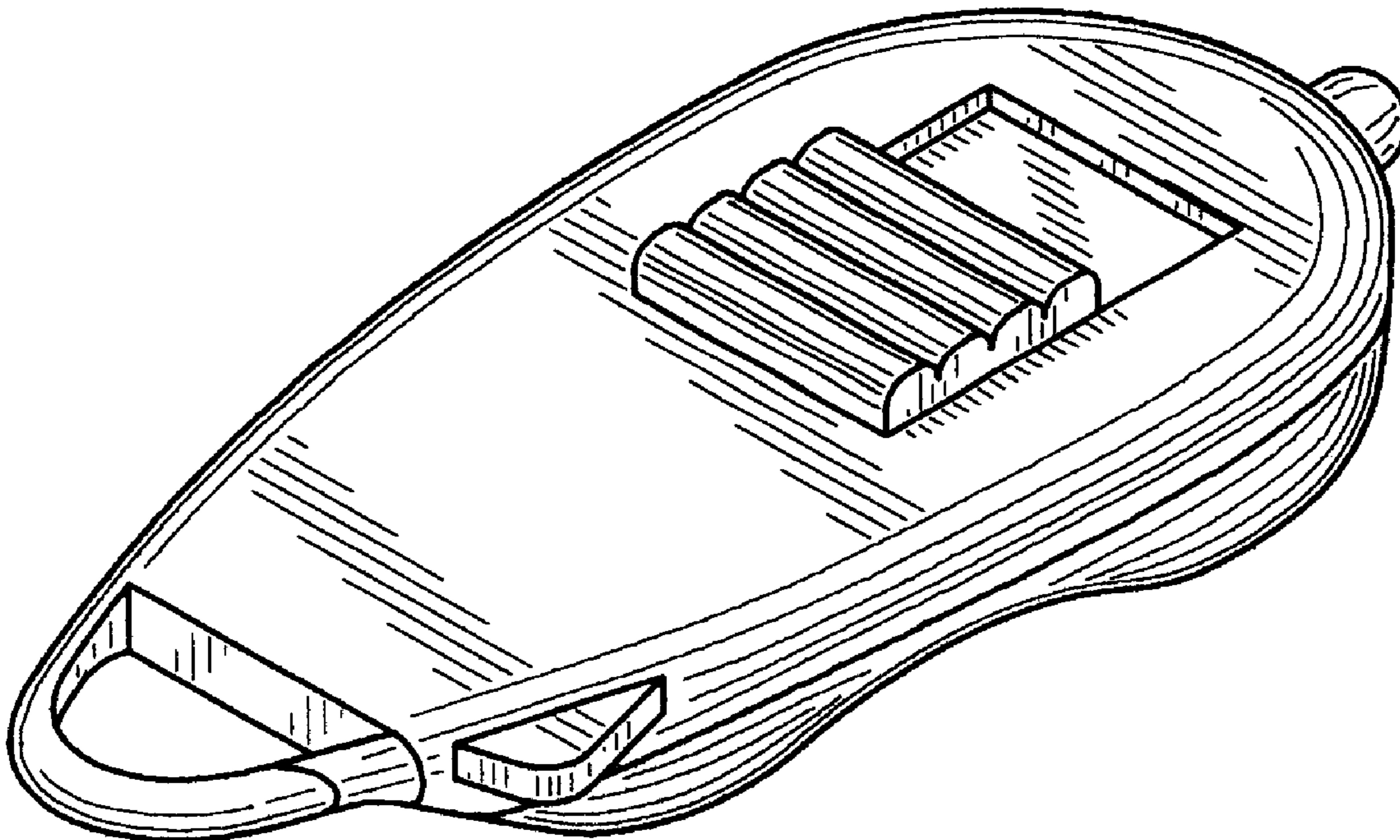
[57] **CLAIM**

The ornamental design for a zipper pull light, as shown.

**DESCRIPTION**

- FIG. 1 is a rear perspective view.
- FIG. 2 is a top view.
- FIG. 3 is a bottom view.
- FIG. 4 is a view from one side.
- FIG. 5 is a view from the other side.
- FIG. 6 is a front view; and,
- FIG. 7 is a rear view.

**1 Claim, 2 Drawing Sheets**



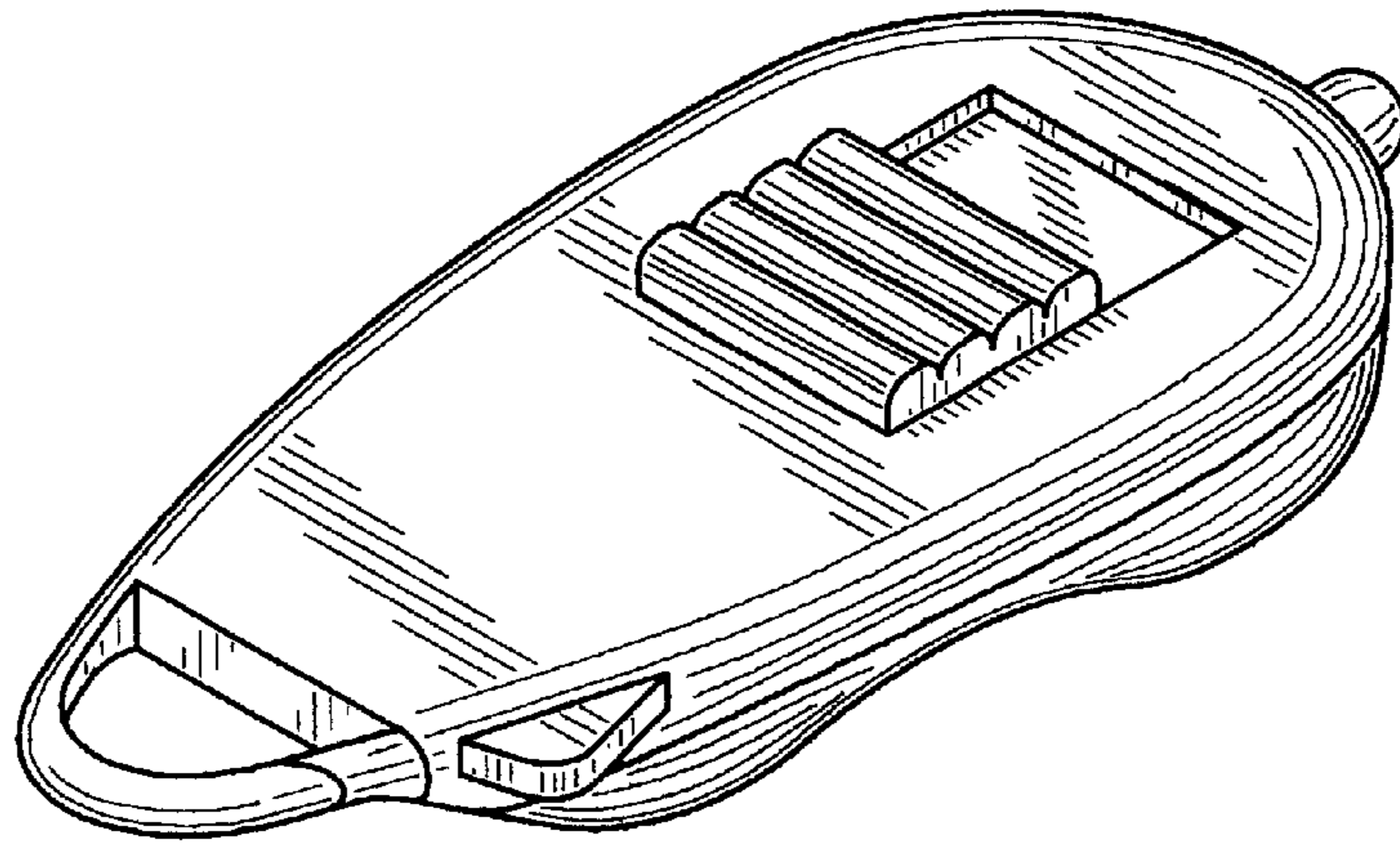


FIG. 1

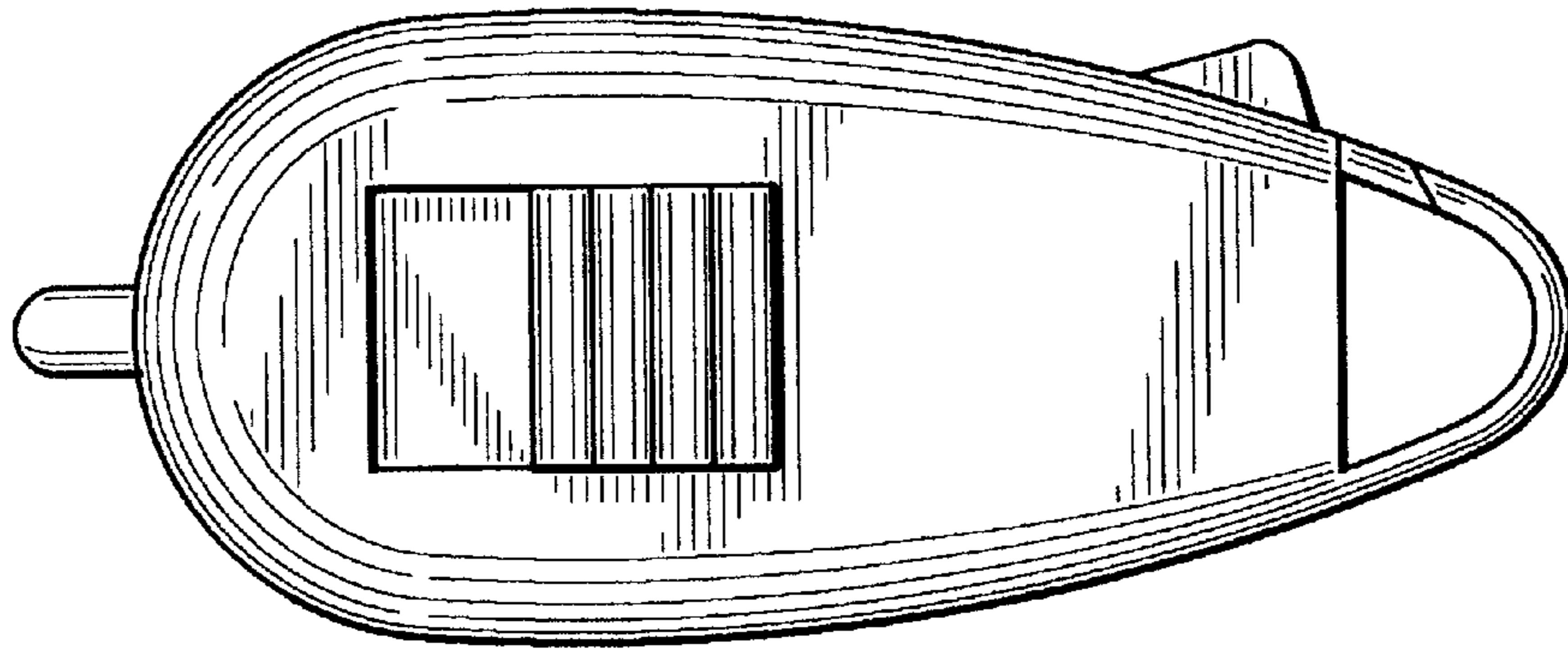


FIG. 2

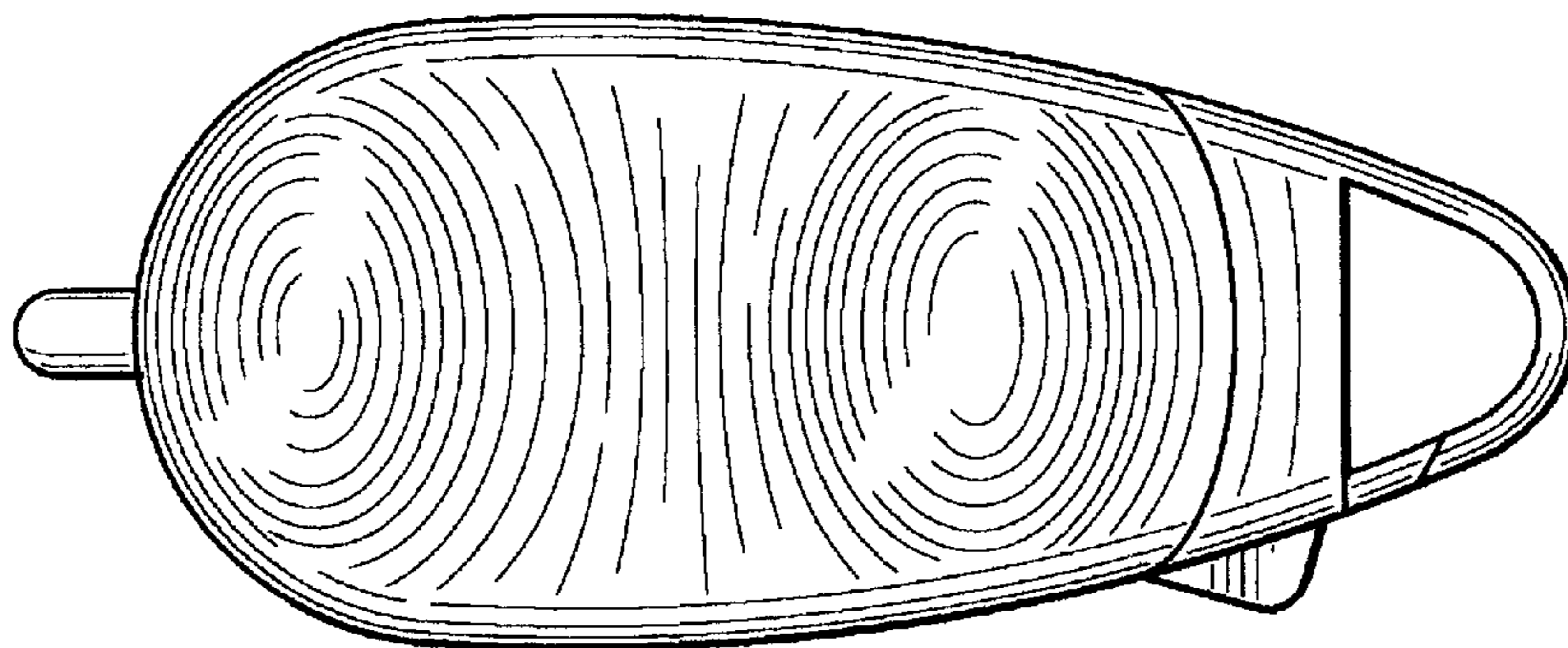


FIG. 3

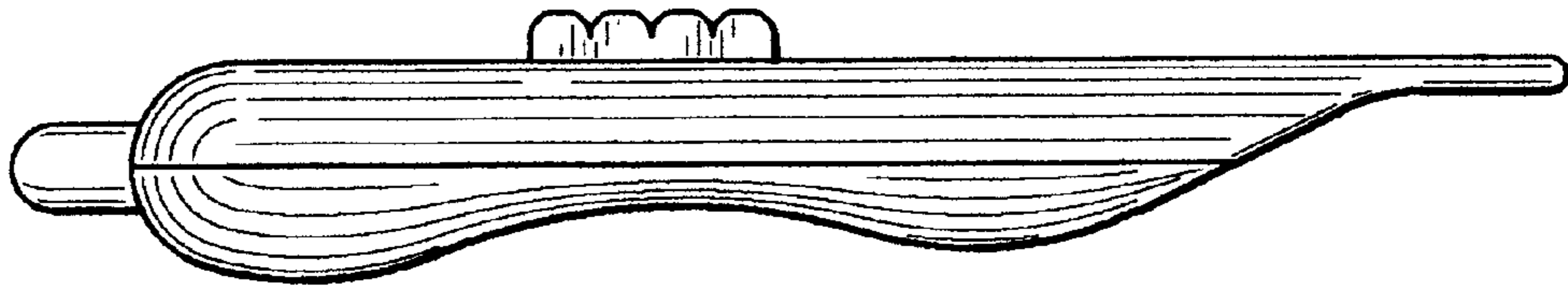


FIG. 4

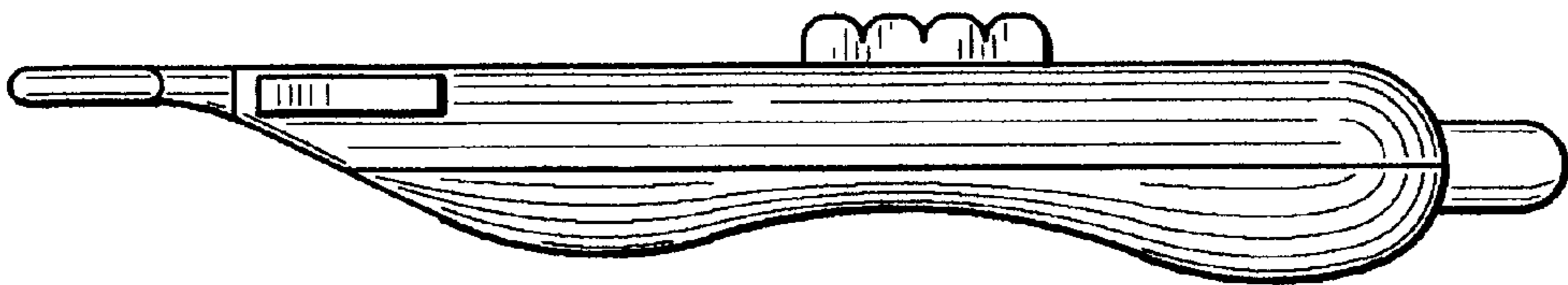


FIG. 5

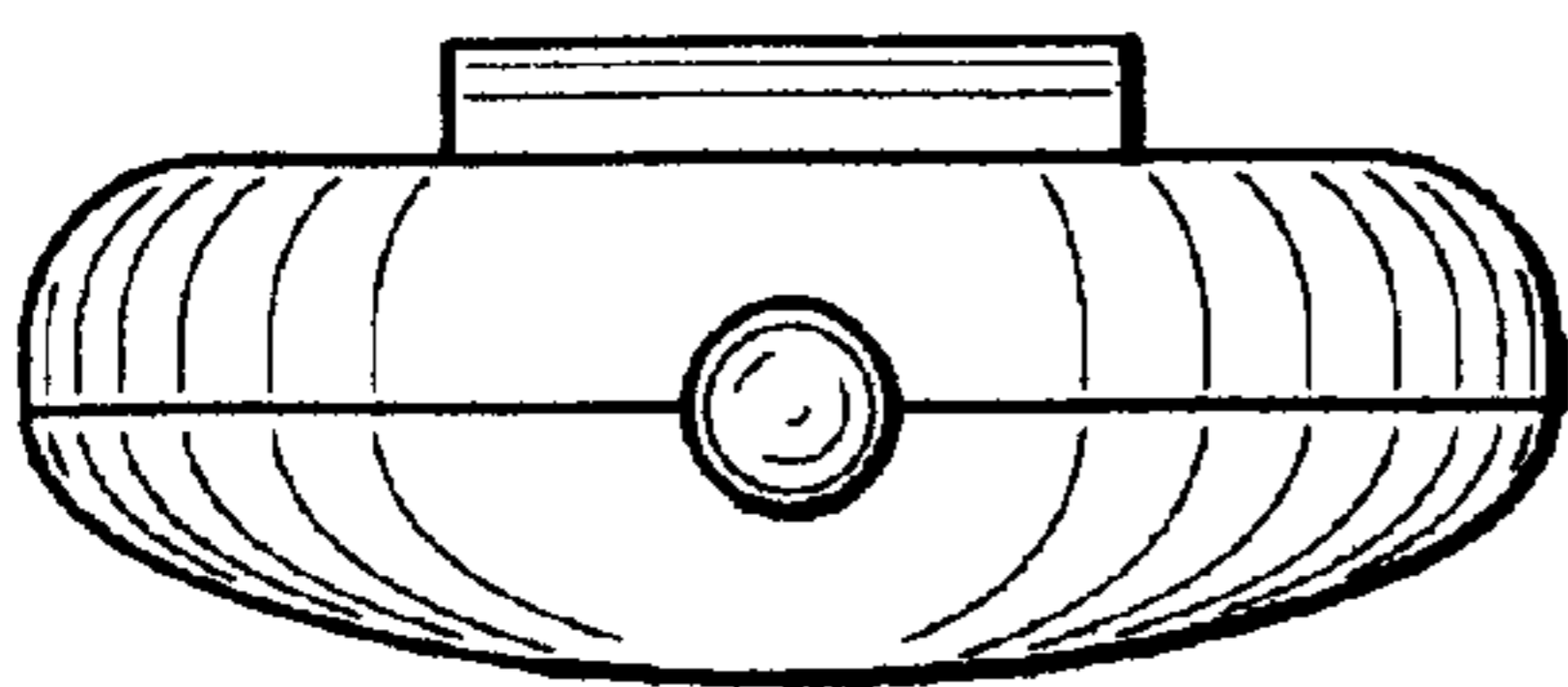


FIG. 6

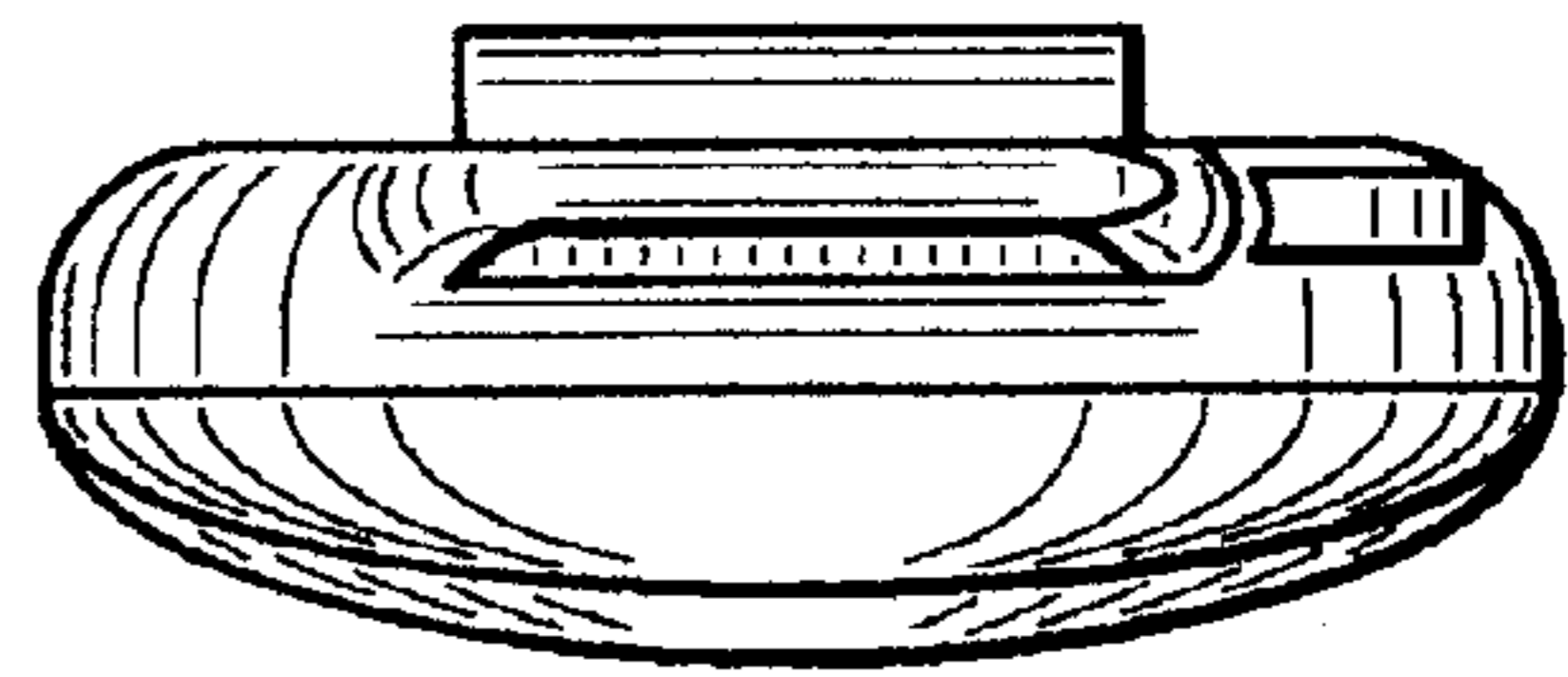


FIG. 7