



US00D431345S

United States Patent [19]

Newkirk, Jr.

[11] **Patent Number: Des. 431,345**

[45] **Date of Patent: ** Oct. 3, 2000**

[54] **COMBINED SHIRT AND PANTS SET**

[76] Inventor: **Johnnie Newkirk, Jr.**, 580 Flatbush Ave. #7 G, Brooklyn, N.Y. 11225

[**] Term: **14 Years**

[21] Appl. No.: **29/102,832**

[22] Filed: **Apr. 1, 1999**

[51] **LOC (7) Cl. 02-02**

[52] **U.S. Cl. D2/739; D2/742; D2/847**

[58] **Field of Search D2/739, 742, 743, D2/847, 737; 2/227, 76, 79, 116**

[56] **References Cited**

U.S. PATENT DOCUMENTS

| | | | | |
|------------|---------|----------|-------|--------|
| D. 96,079 | 7/1935 | Anderson | | D2/739 |
| D. 353,254 | 12/1994 | Welch | | D2/739 |
| 1,367,182 | 2/1921 | Gardi | | D2/737 |
| 6,014,773 | 1/2000 | Banks | | 2/227 |

OTHER PUBLICATIONS

JCPenney fall/winter catalog, Jeans, p. 131, 1996.
Lion Uniform fall/winter catalog 1968-69, two piece shirt pants uniform, p. 4, 1996.

Primary Examiner—Louis S. Zarfes
Assistant Examiner—Inga-Maria Hyttinen

[57] **CLAIM**

The ornamental design for a combined shirt and pants set, as shown and described.

DESCRIPTION

FIG. 1 is a front elevational view of the combined shirt and pants set of the present invention;

FIG. 2 is a back elevational view of the combined shirt and pants set of FIG. 1;

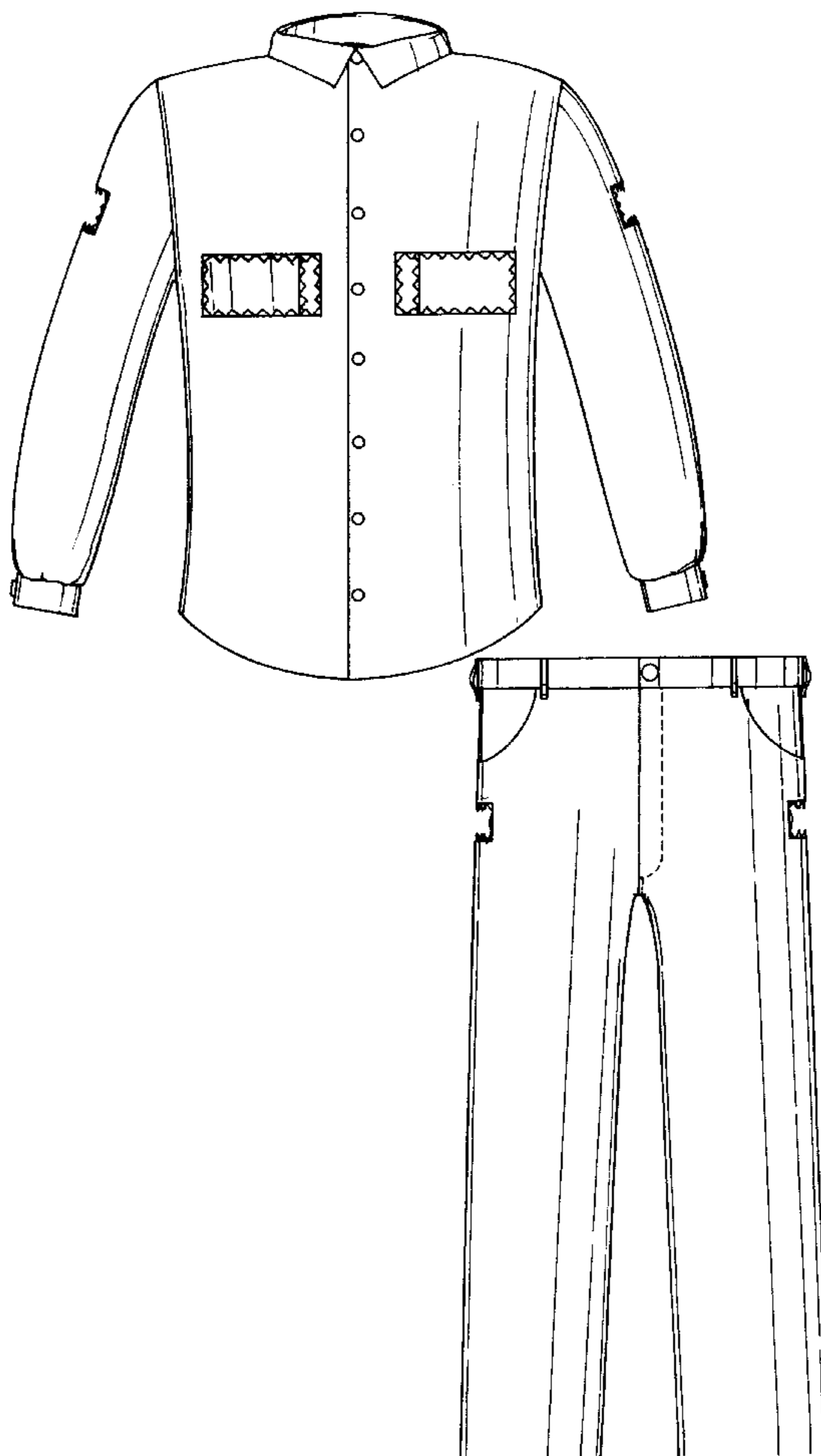
FIG. 3 is a left side elevational view of the combined shirt and pants set of FIG. 1, the right side elevational view being a mirror image thereof;

FIG. 4 is a top plan view of the combined shirt and pants set of FIG. 1; and,

FIG. 5 is a bottom plan view of the combined shirt and pants set of FIG. 1.

The broken lines shown in the FIGURES are representative of backstitching.

1 Claim, 3 Drawing Sheets



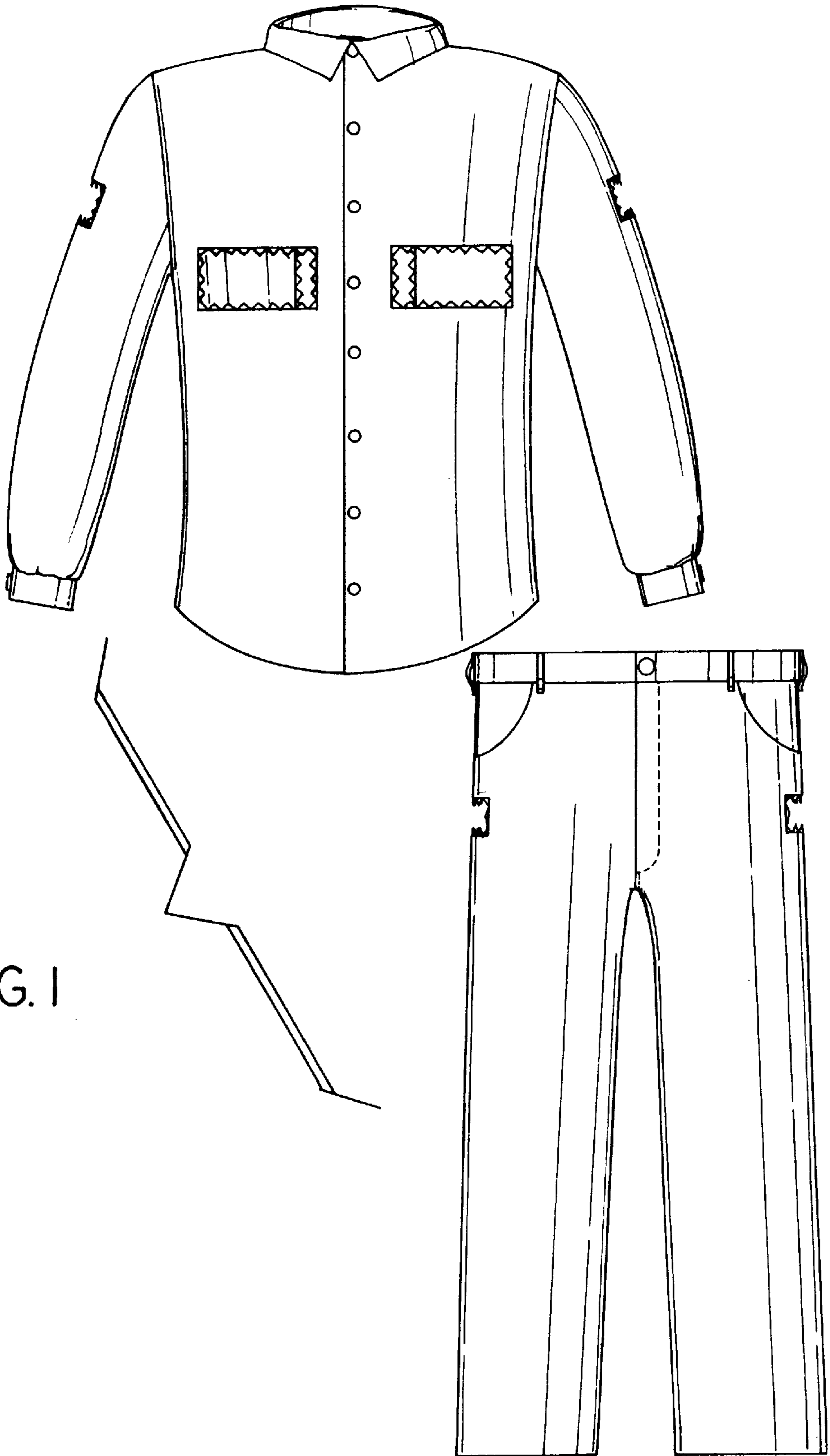


FIG. 1

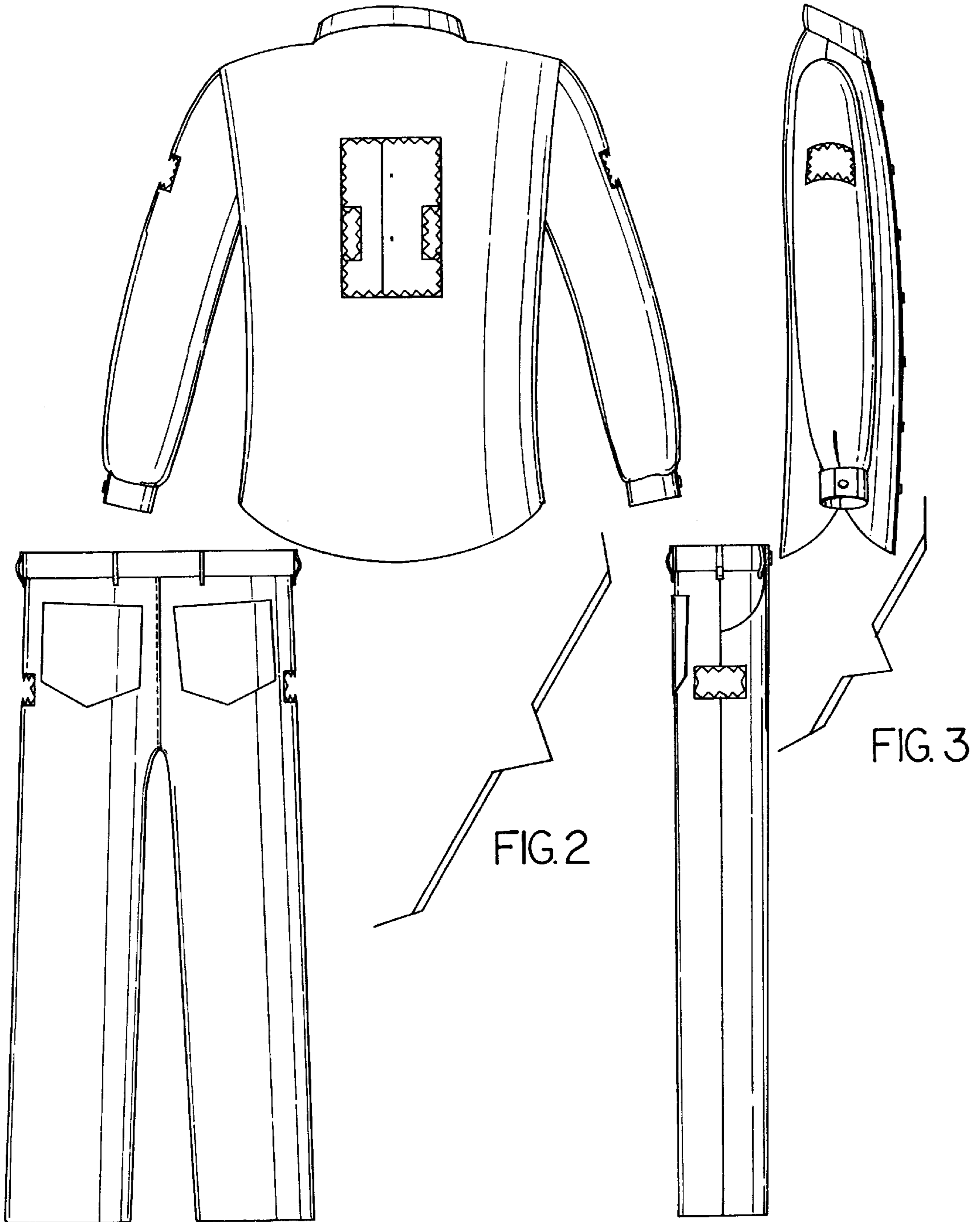


FIG. 4

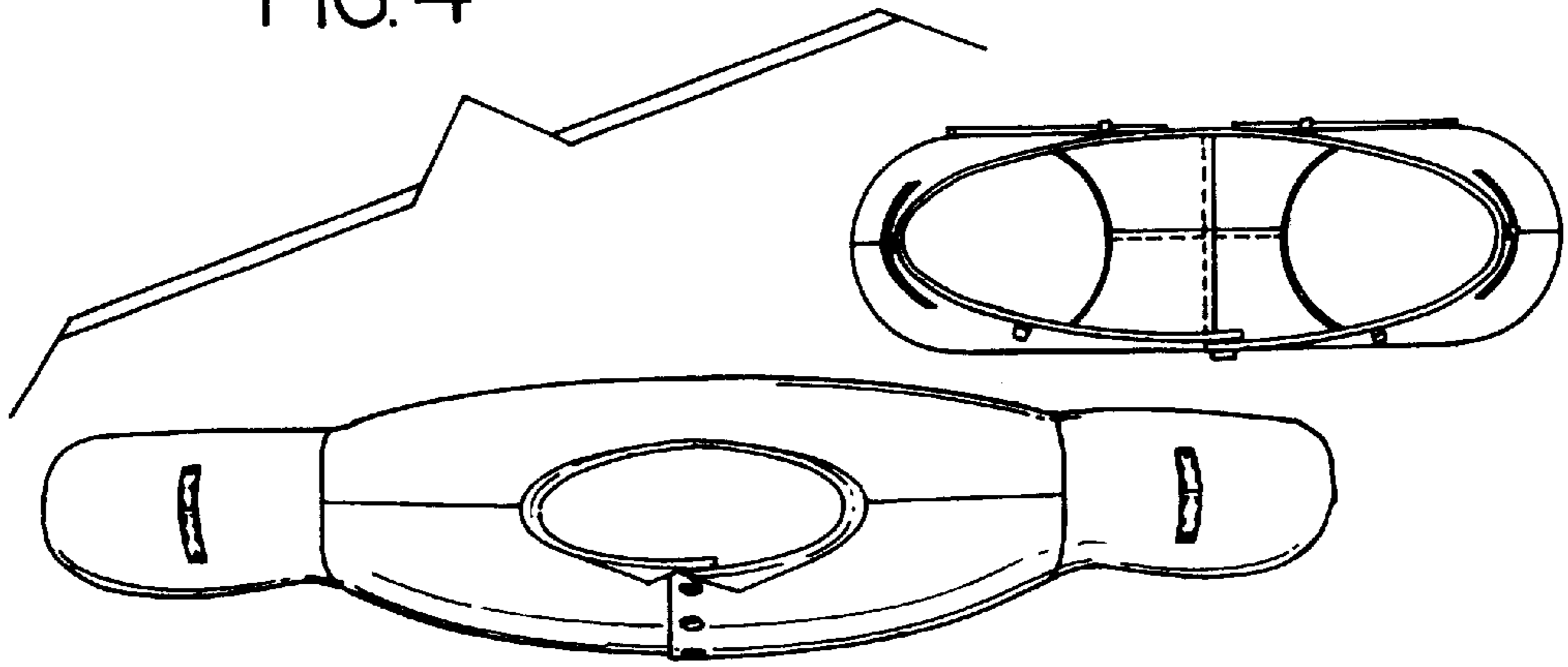


FIG. 5

