



US00D431337S

United States Patent [19] King

[11] **Patent Number: Des. 431,337**

[45] **Date of Patent: ** Sep. 26, 2000**

[54] **PAINT BRUSH HOLDER**

[76] Inventor: **Brian B. King**, 33 Saranac St.,
Littleton, N.H. 03561

[**] Term: **14 Years**

[21] Appl. No.: **29/112,904**

[22] Filed: **Oct. 26, 1999**

[51] **LOC (7) Cl.** **07-07**

[52] **U.S. Cl.** **D32/54**

[58] **Field of Search** D32/53, 53.1,
D32/54; 248/110; 220/694, 697, 699-701

D. 353,920	12/1994	Daiker	D32/54
D. 358,691	5/1995	Engle	D32/54
D. 366,741	1/1996	Roehig	D32/54
D. 374,751	10/1996	Vong	D32/54
4,993,671	2/1991	Ste. Marie	248/113
5,016,773	5/1991	Lockwood	220/90
5,083,733	1/1992	Marino et al.	248/110

Primary Examiner—Robin V. Taylor

[57] **CLAIM**

The ornamental design for the paint brush holder, as shown and described.

DESCRIPTION

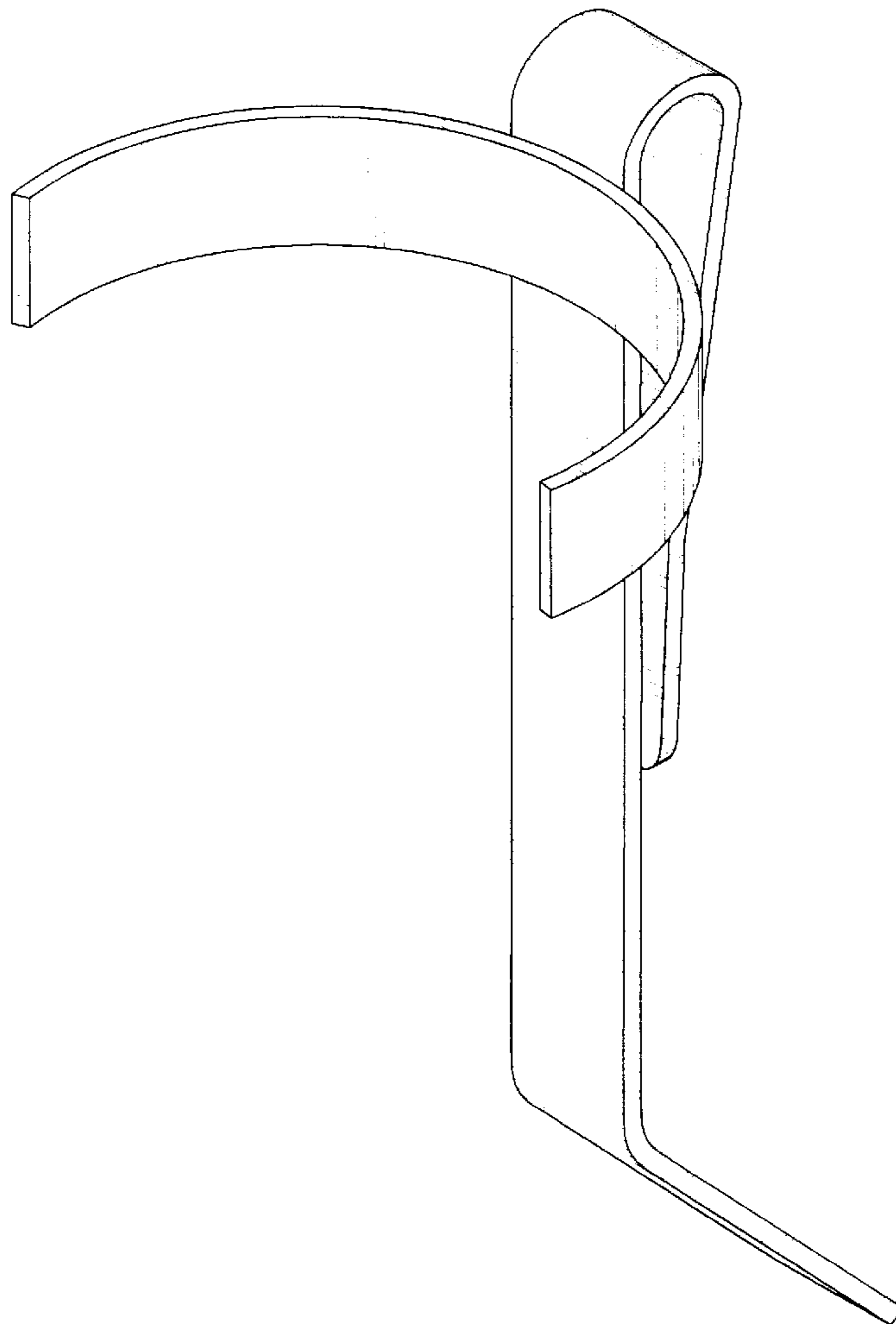
FIG. 1 is a perspective view of the paint brush holder; FIG. 2 is a side view of the paint brush holder; FIG. 3 is a front view of the paint brush holder; FIG. 4 is a rear view of the paint brush holder; FIG. 5 is a top view of the paint brush holder; and, FIG. 6 is a bottom view of the paint brush holder.

1 Claim, 5 Drawing Sheets

[56] **References Cited**

U.S. PATENT DOCUMENTS

D. 270,771	9/1983	Brown	D7/99
D. 300,970	5/1989	Walker	D32/54
D. 320,346	10/1991	Wagner	D9/415
D. 324,541	3/1992	Dudley	D19/35
D. 341,686	11/1993	Panovic	D32/54
D. 353,246	12/1994	Kameda	D32/70



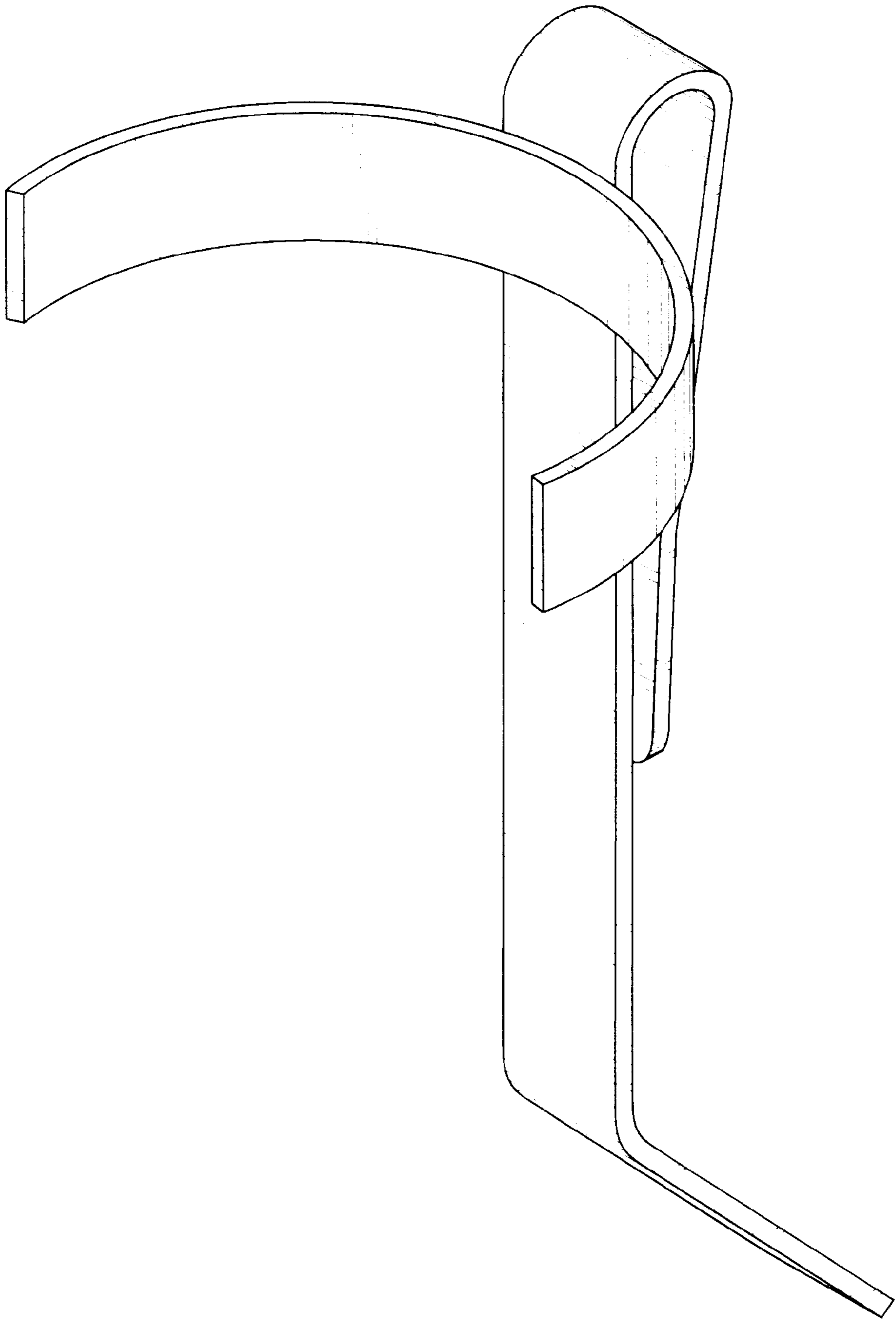


Fig. 1

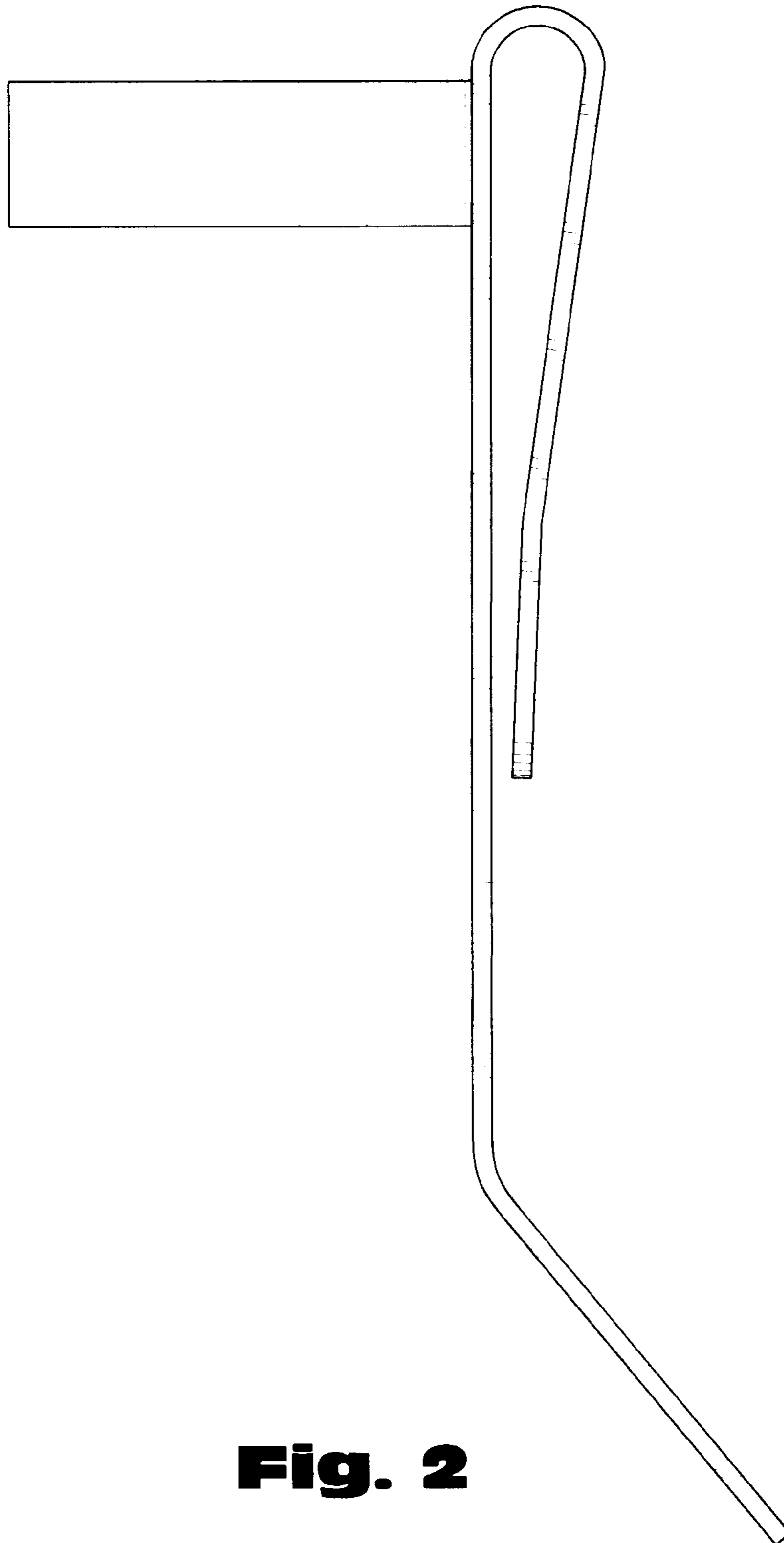


Fig. 2

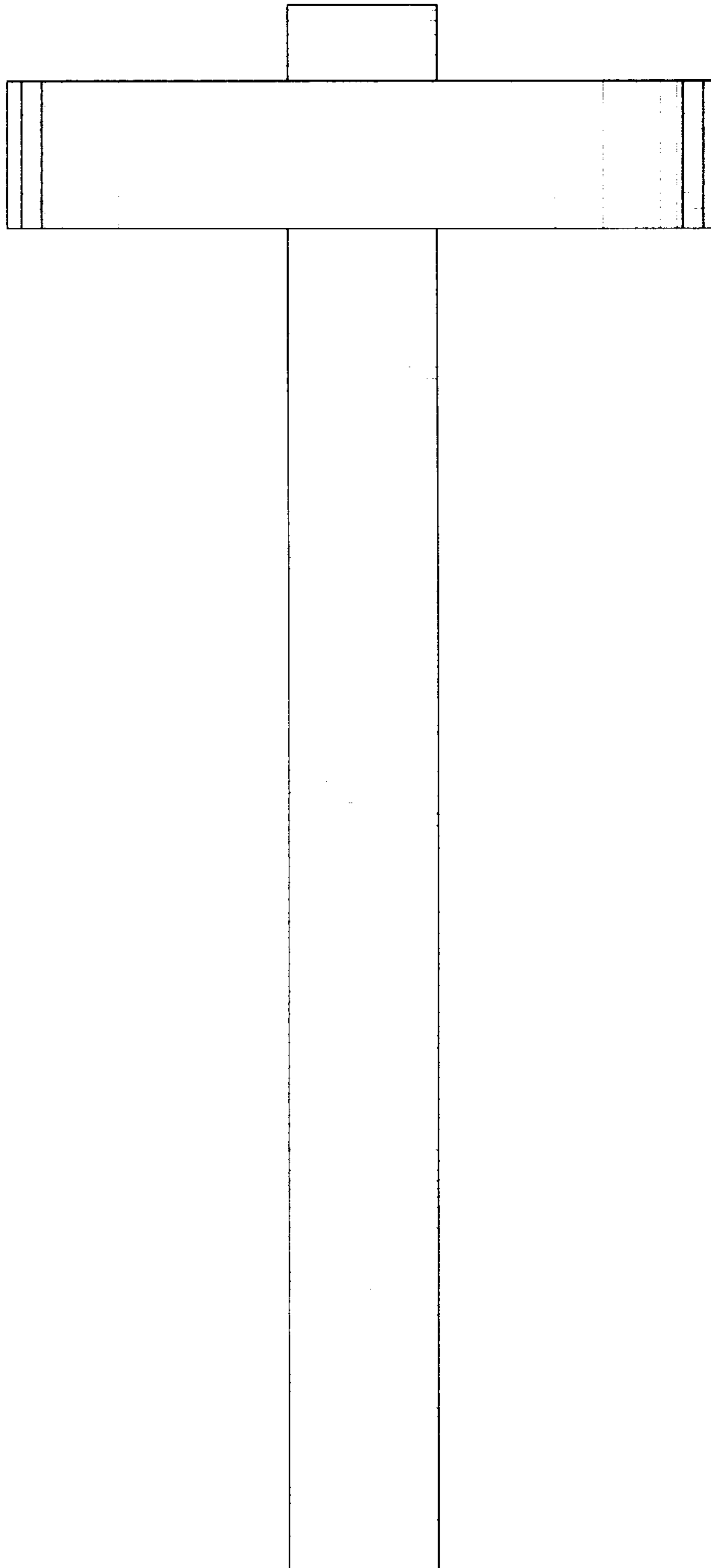


Fig. 3

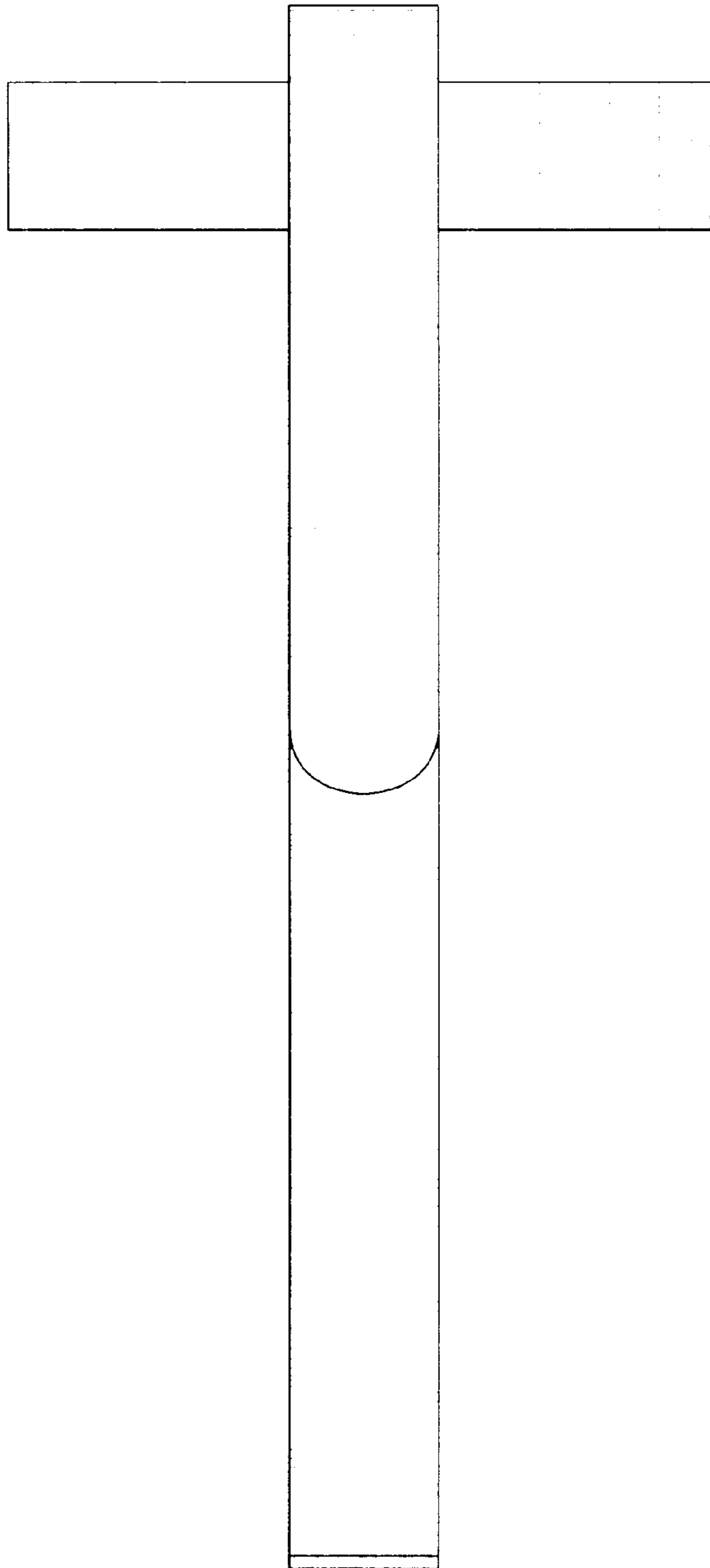


Fig. 4

Fig. 5

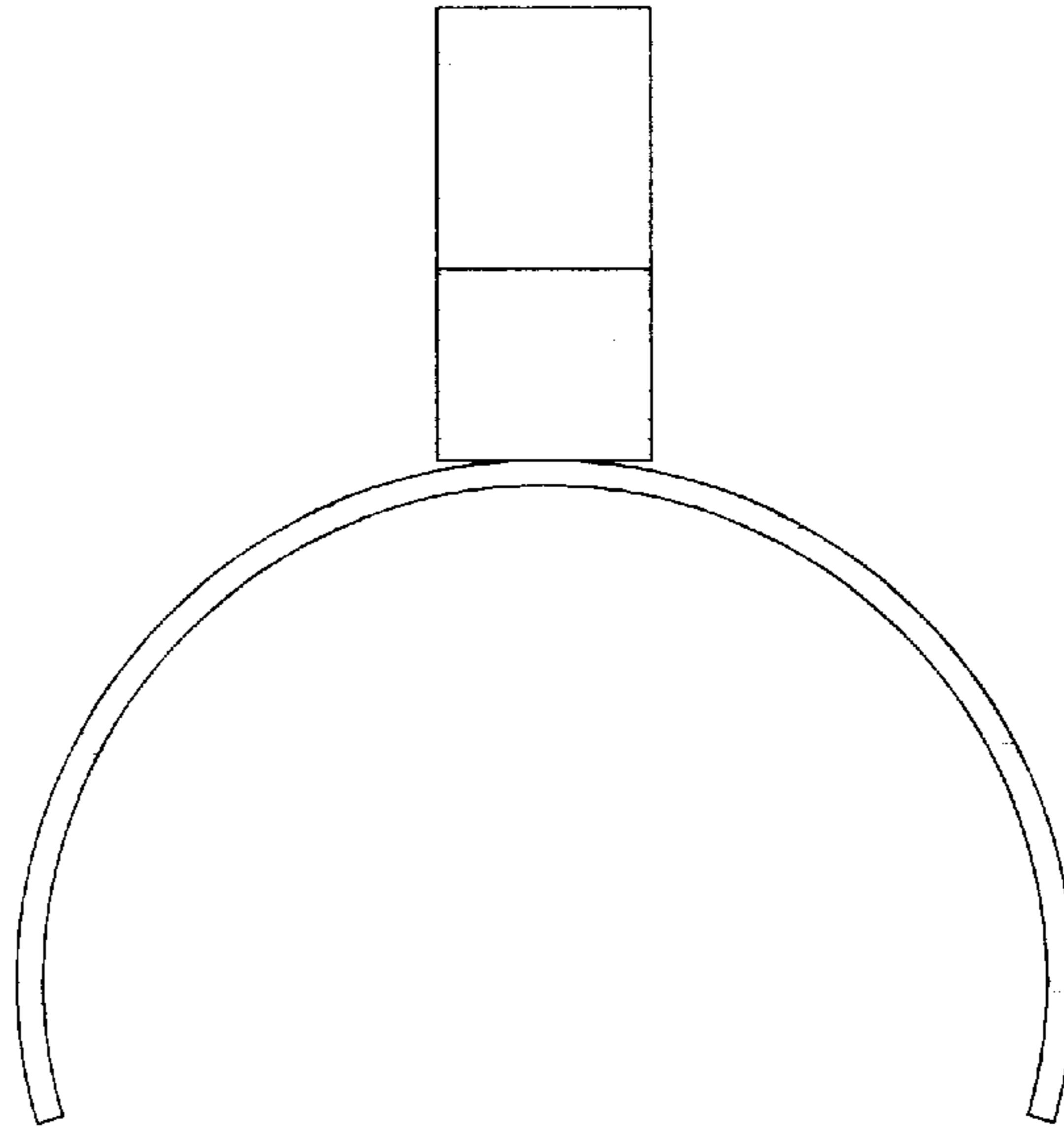


Fig. 6

