



US00D431336S

**United States Patent** [19]  
**Brancato**

[11] **Patent Number: Des. 431,336**

[45] **Date of Patent: \*\* Sep. 26, 2000**

- [54] **LAUNDRY ACCUMULATOR BIN**
- [75] Inventor: **Dominic S. Brancato**, Kansas City, Mo.
- [73] Assignee: **Count On Us, Corp.**, Kansas City, Mo.
- [\*\*] Term: **14 Years**
- [21] Appl. No.: **29/103,357**
- [22] Filed: **Apr. 13, 1999**
- [51] **LOC (7) Cl.** ..... **07-07**
- [52] **U.S. Cl.** ..... **D32/37; D32/6**
- [58] **Field of Search** ..... D32/37, 5, 6; 15/257.01, 15/257.05; 210/908, 909, 910, 911

*Attorney, Agent, or Firm*—Shughart, Thomson & Kilroy P.C.

[57] **CLAIM**

The ornamental design for laundry accumulator bin, as shown and described.

**DESCRIPTION**

FIG. 1 is a perspective view of the laundry accumulator bin in accordance with the present invention.

FIG. 2 is a top plan view of the laundry accumulator bin of FIG. 1.

FIG. 3 is a front elevational view of the laundry accumulator bin of FIG. 1.

FIG. 4 is a left side elevational view of the laundry accumulator bin of FIG. 1.

FIG. 5 is a right side elevational view of the laundry accumulator bin of FIG. 1.

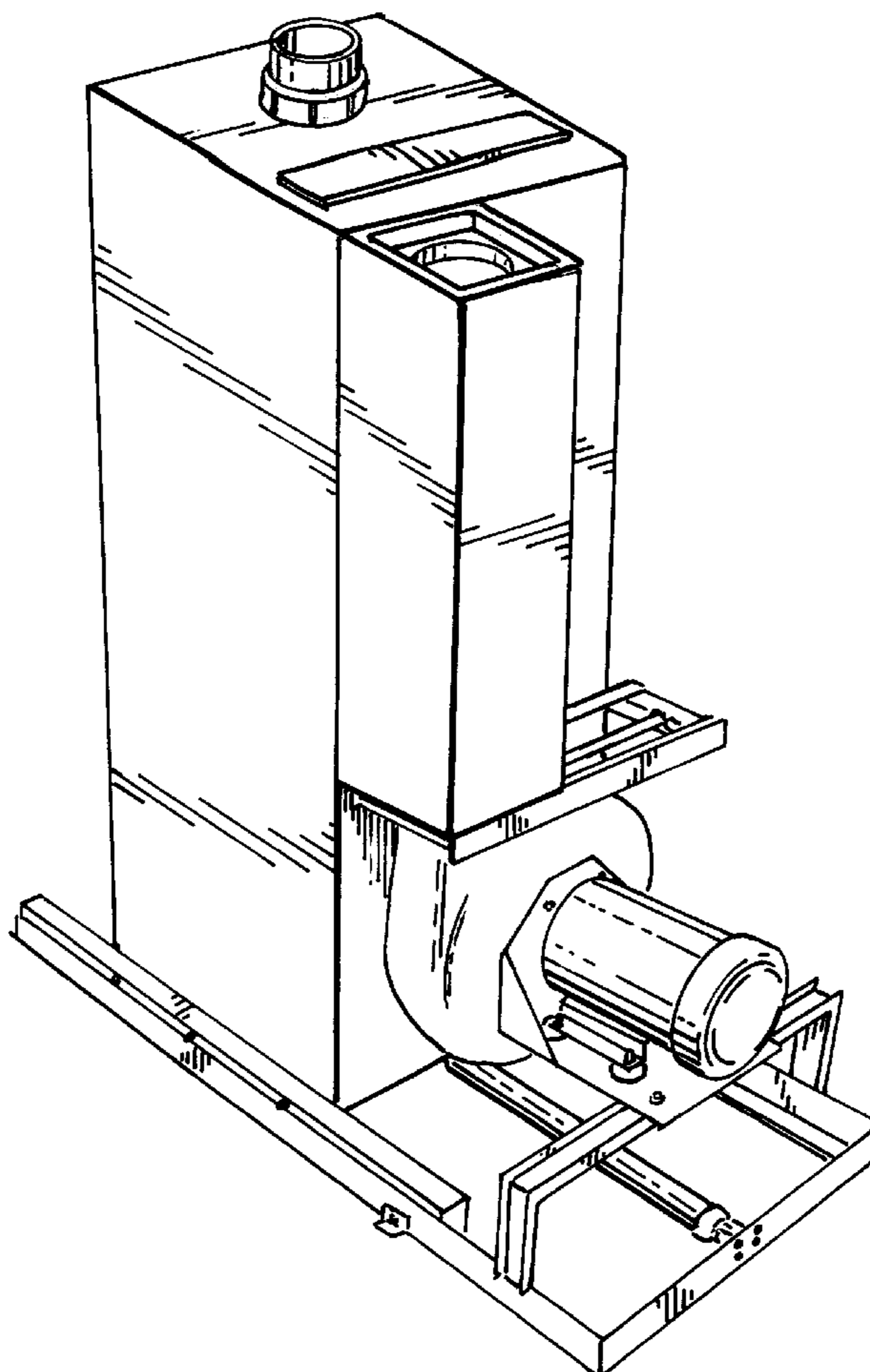
FIG. 6 is a rear elevational view of the laundry accumulator bin of FIG. 1; and,

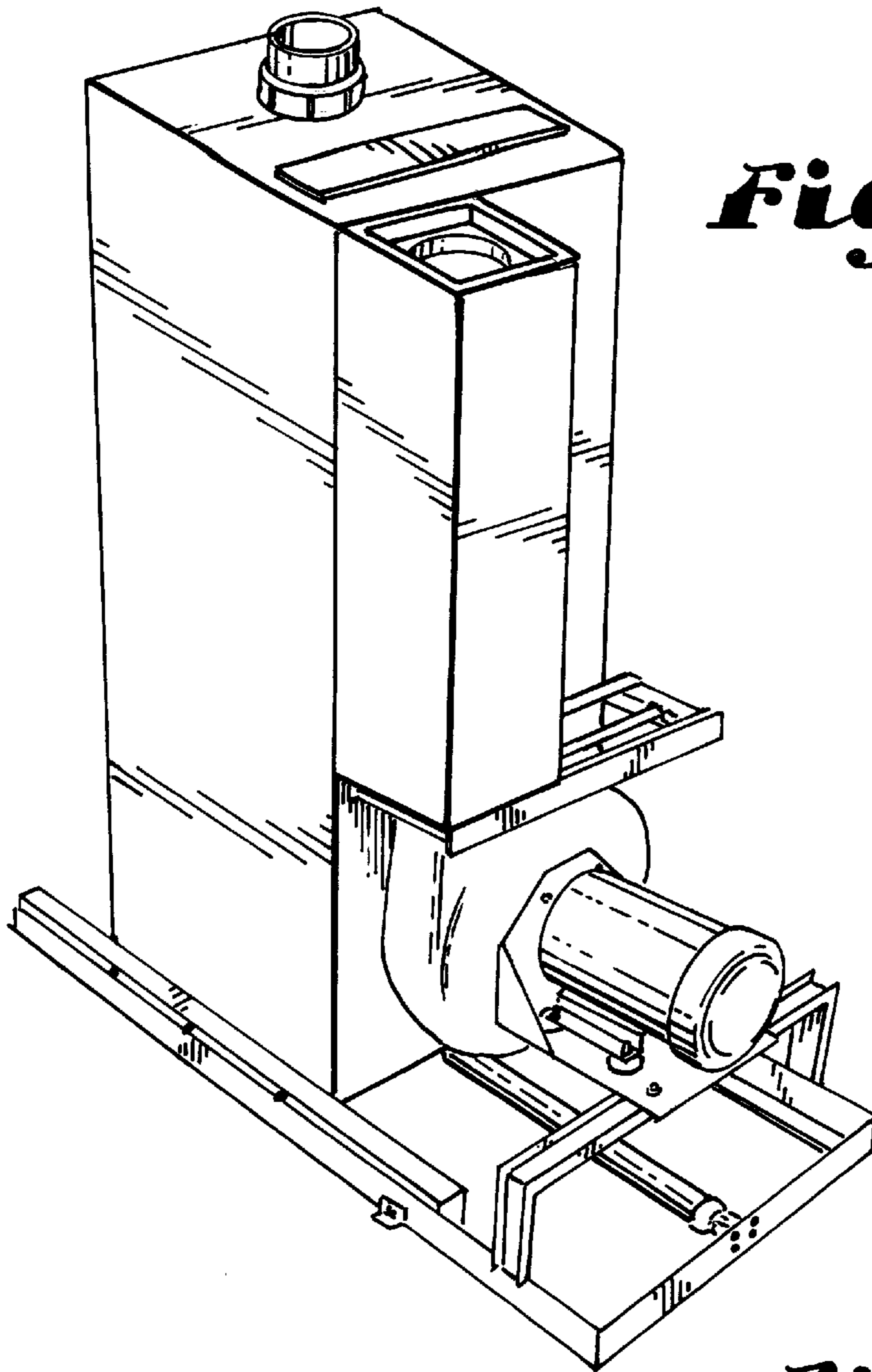
FIG. 7 is a bottom plan view of the laundry accumulator bin of FIG. 1.

- [56] **References Cited**
- U.S. PATENT DOCUMENTS**
- D. 141,087 5/1945 Bellstaedt ..... D32/5
- D. 320,877 10/1991 Renzacci ..... D32/6
- 2,960,780 11/1960 Stilwell, Jr. .... 15/257.01

*Primary Examiner*—Susan J. Lucas  
*Assistant Examiner*—Cynthia E Ramirez

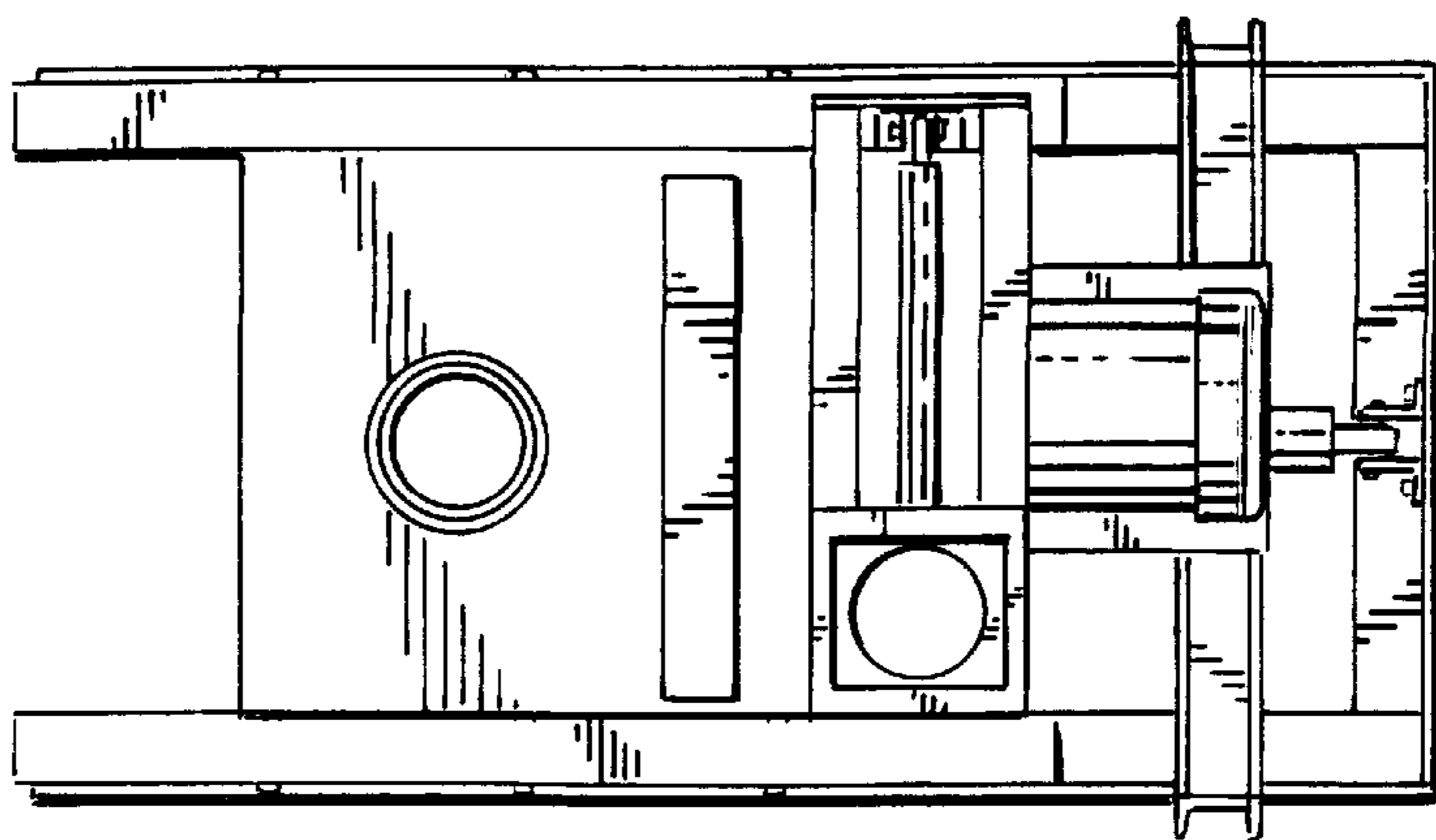
**1 Claim, 3 Drawing Sheets**

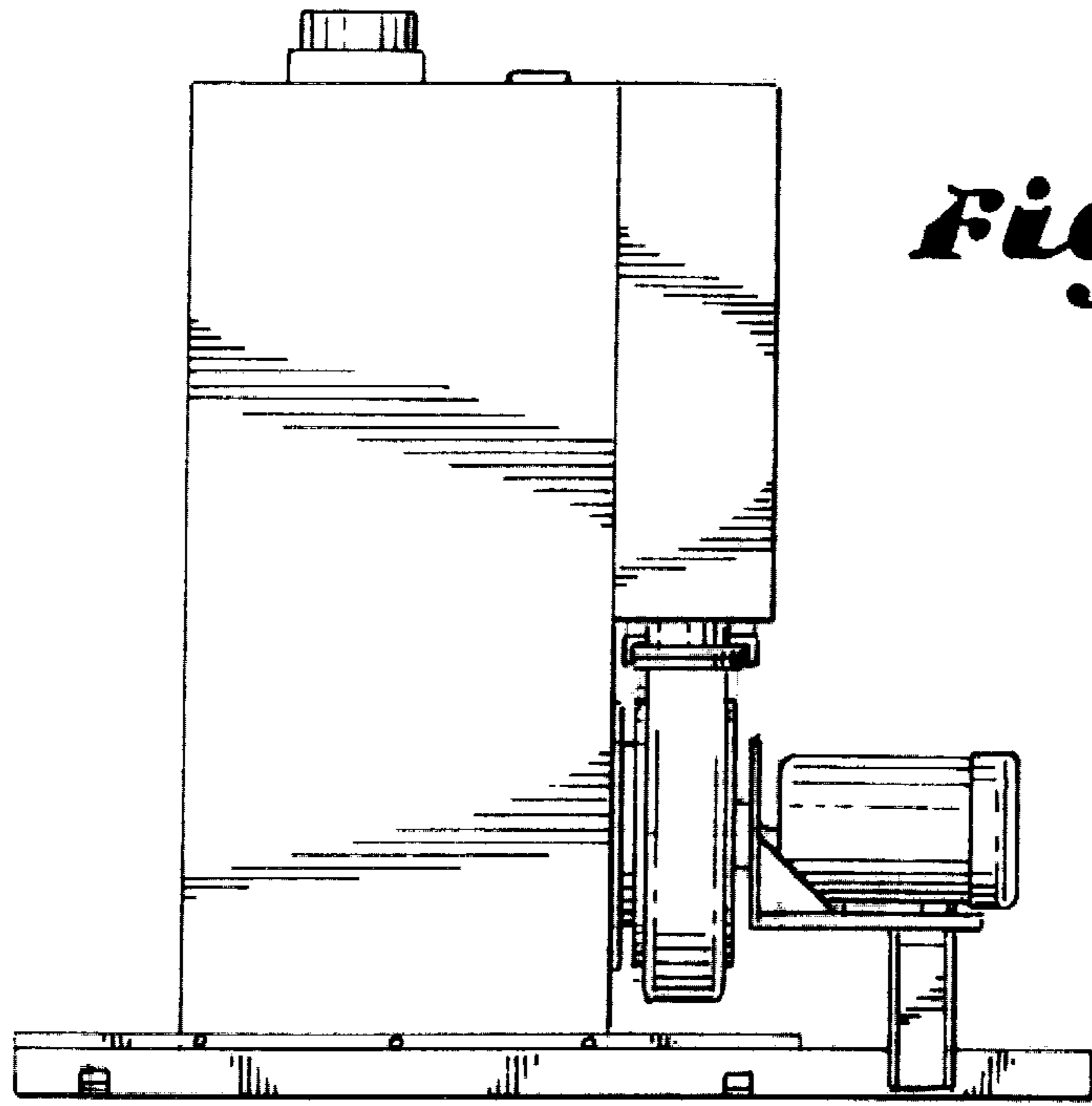




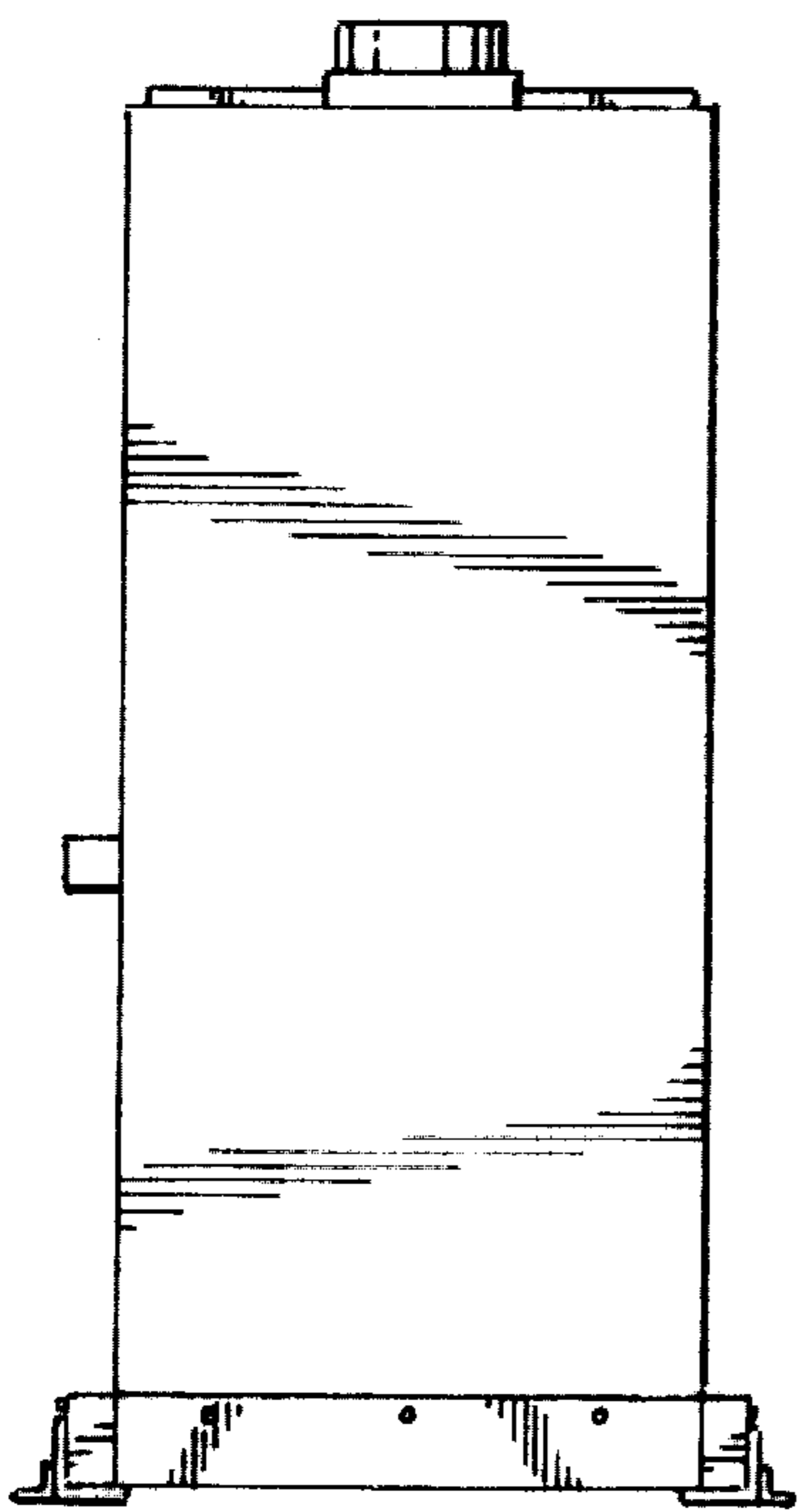
*Fig. 1.*

*Fig. 2.*

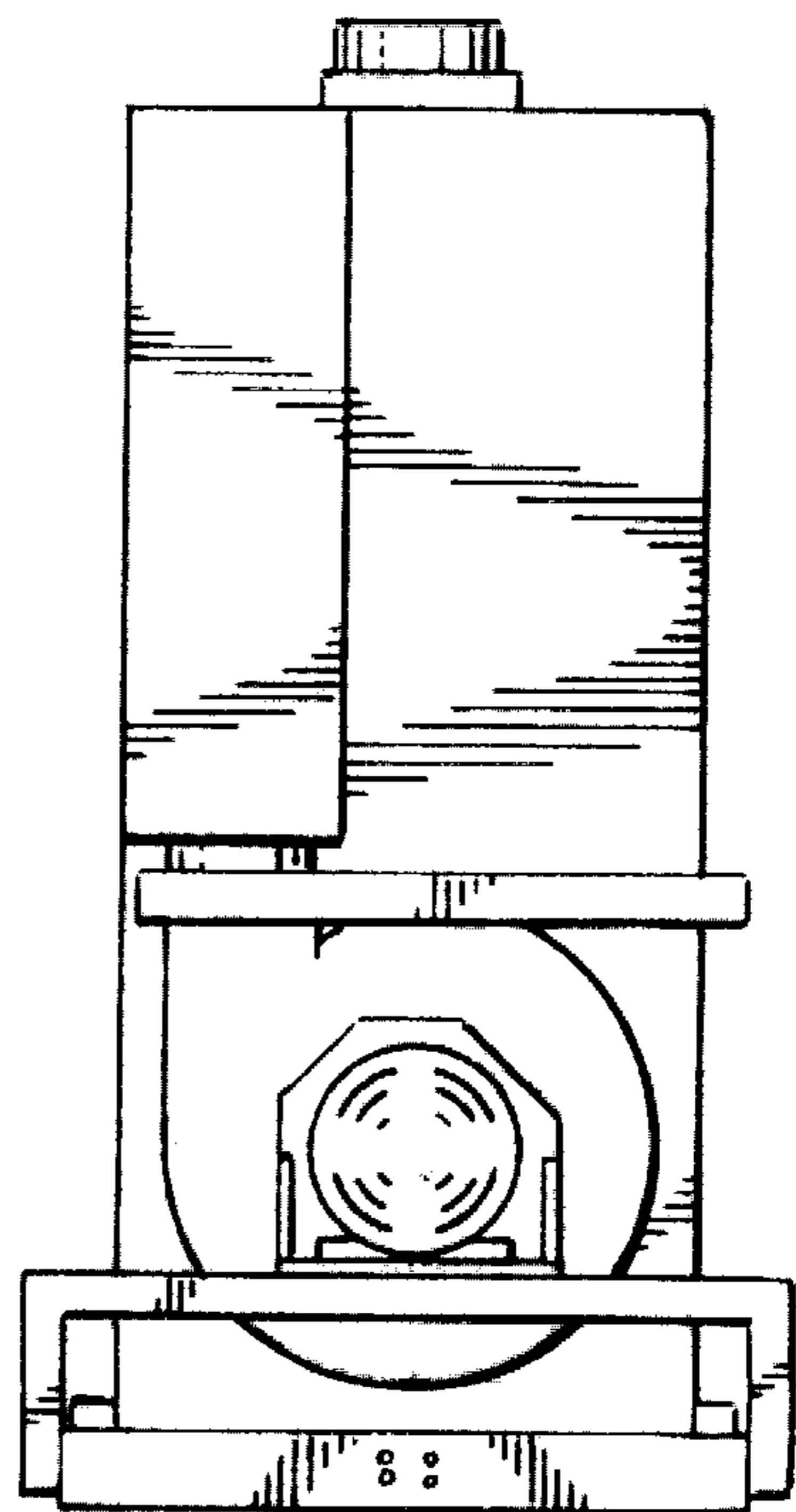




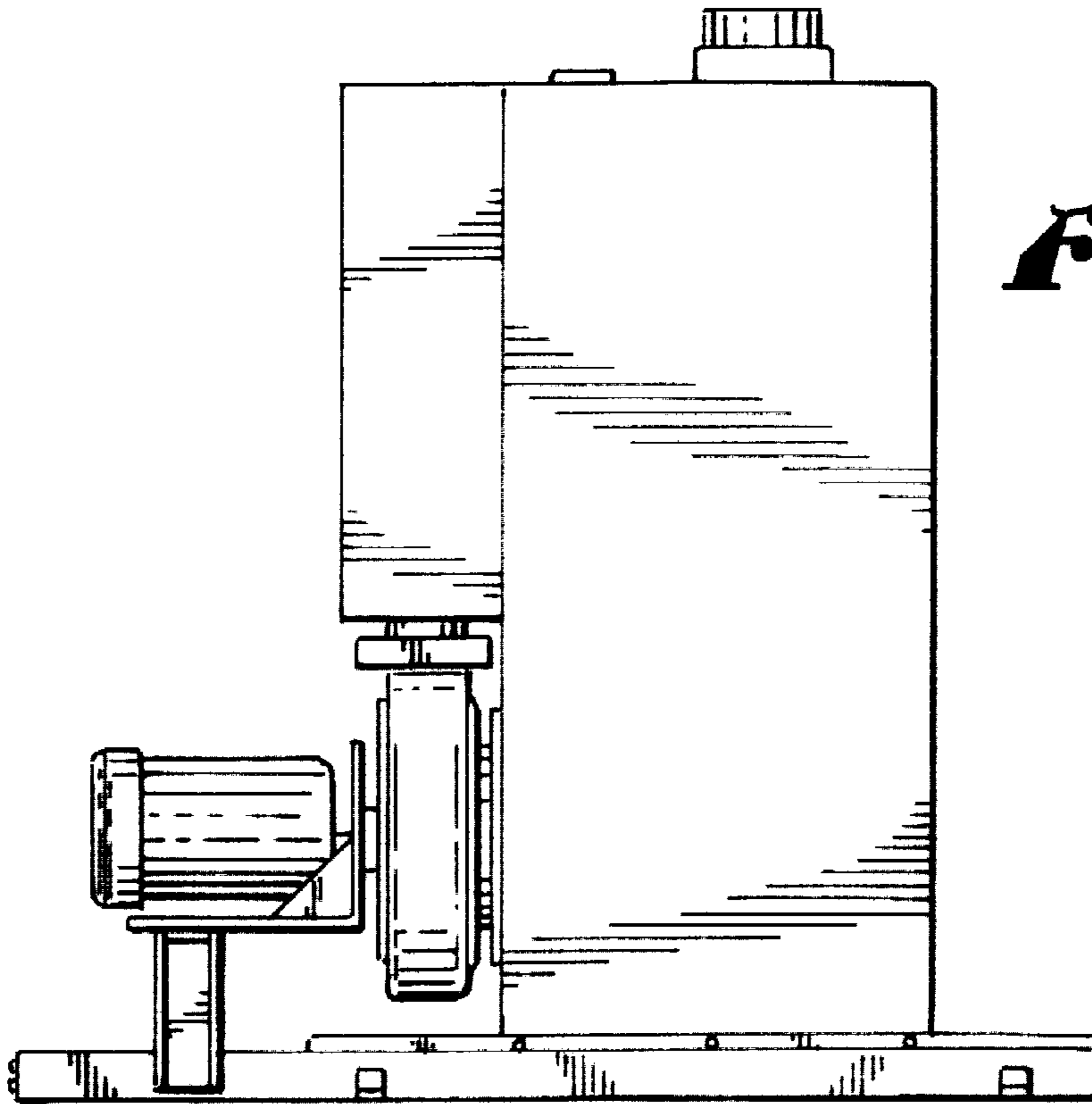
*Fig. 3.*



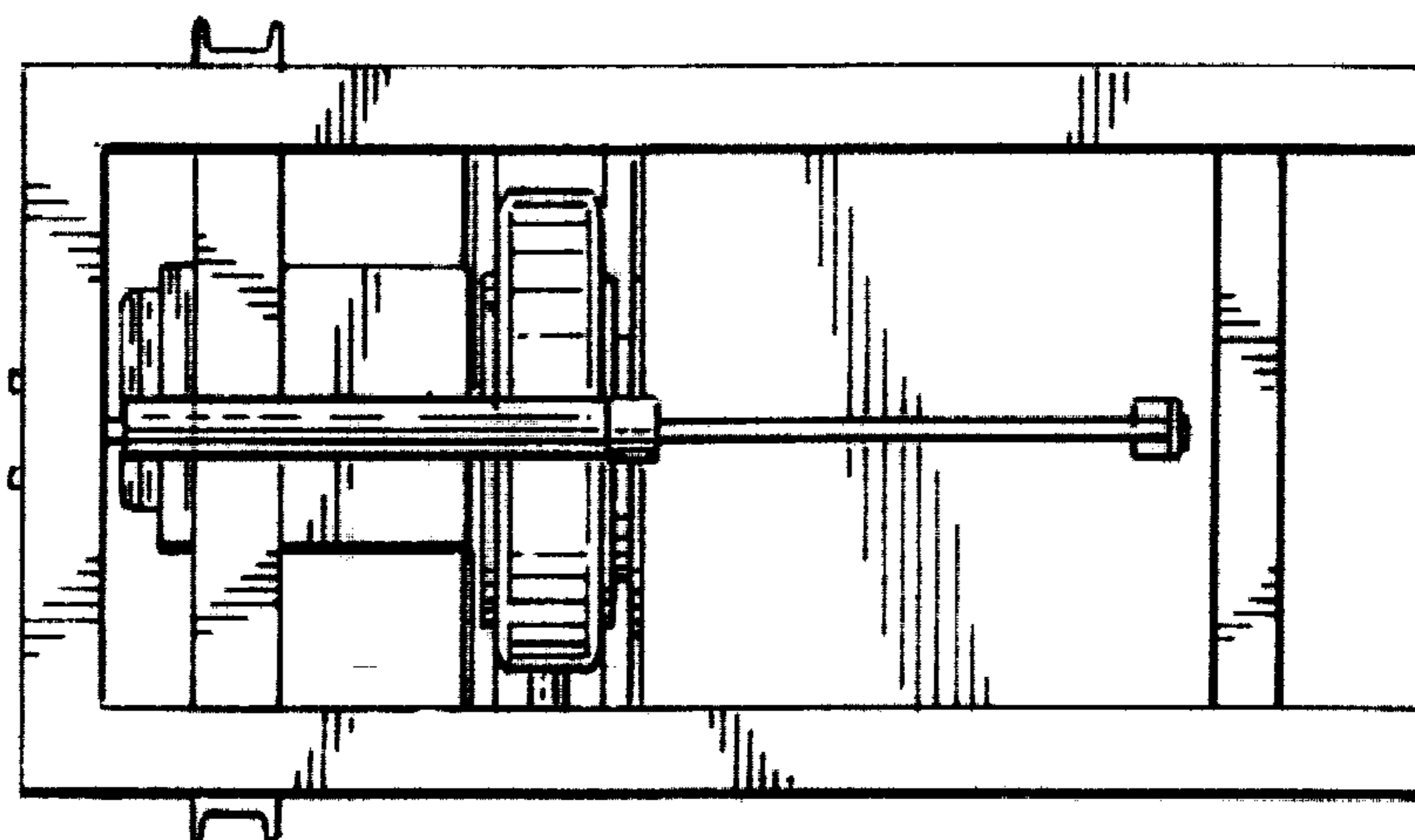
*Fig. 4.*



*Fig. 5.*



*Fig. 6.*



*Fig. 7.*