



US00D431334S

**United States Patent** [19]  
**Stephens et al.**

[11] **Patent Number: Des. 431,334**

[45] **Date of Patent: \*\* Sep. 26, 2000**

[54] **VACUUM CLEANER LOWER PORTION**

[75] Inventors: **Ronald J. Stephens**, Rittman; **Sidney H. Bradd**, Solon; **Richard A. Wareham**, North Canton, all of Ohio

[73] Assignee: **The Hoover Company**, North Canton, Ohio

[\*\*] Term: **14 Years**

[21] Appl. No.: **29/085,333**

[22] Filed: **Mar. 20, 1998**

[51] **LOC (7) Cl.** ..... **15-05**

[52] **U.S. Cl.** ..... **D32/32**

[58] **Field of Search** ..... D32/21, 22, 31-34;  
15/322, 354, 355, 358, 362, 366, 378, 400,  
412, 414, 415.1-422, 422.1, 339

[56] **References Cited**

**U.S. PATENT DOCUMENTS**

- D. 127,288 5/1941 Walker .
- D. 133,711 9/1942 Kruck .
- D. 213,132 1/1969 Gantz et al. .
- D. 249,349 9/1978 Wareham ..... D32/32
- D. 262,539 1/1982 Wareham .
- D. 263,235 3/1982 Akita .
- D. 269,470 6/1983 Essex .
- D. 305,168 12/1989 Kroll .
- D. 309,807 8/1990 Sovis et al. .
- D. 333,892 3/1993 Wareham ..... D32/32
- D. 335,556 5/1993 Kuriya .
- D. 338,990 8/1993 McKnight .
- D. 346,052 4/1994 Saunders et al. .
- D. 349,371 8/1994 Furcron et al. .

- D. 354,593 1/1995 Koike .
- D. 358,242 5/1995 McKnight .
- D. 365,669 12/1995 Piccaluga et al. .
- D. 368,559 4/1996 Abe et al. .
- D. 368,560 4/1996 Abe et al. .
- D. 371,652 7/1996 Umbach .
- D. 371,653 7/1996 Nagamine et al. .
- D. 375,821 11/1996 Roberts et al. .
- D. 393,112 3/1998 Essex et al. .... D32/31
- D. 405,571 2/1999 Gildersleeve ..... D32/32
- D. 407,872 4/1999 Wareham et al. .... D32/31
- D. 412,380 7/1999 Wareham ..... D32/32

**FOREIGN PATENT DOCUMENTS**

D-30189 9/1963 Canada .

*Primary Examiner*—Ruth McInroy

*Attorney, Agent, or Firm*—A. Burgess Lowe; Bruce P. Watson

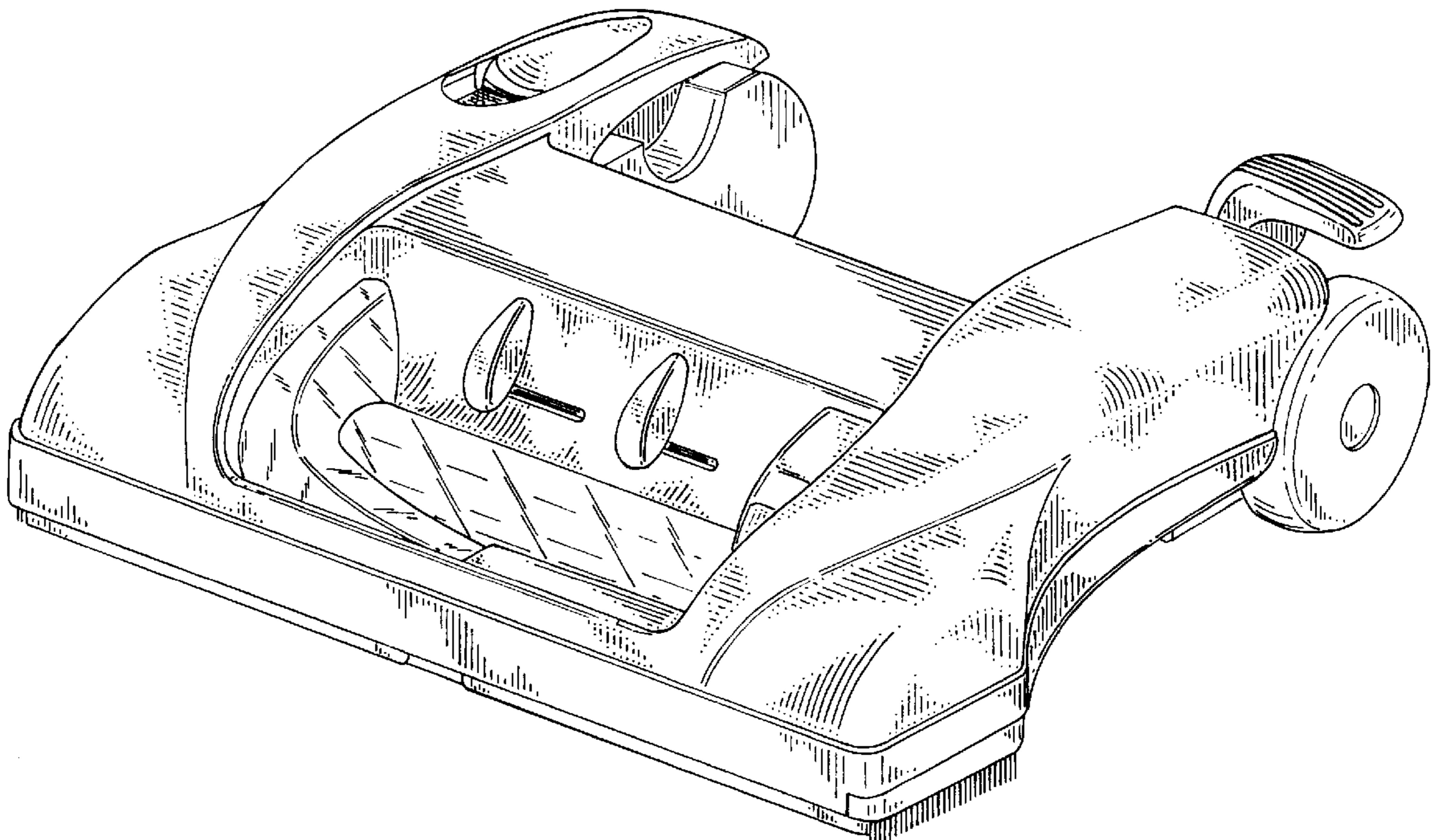
[57] **CLAIM**

The ornamental design for a vacuum cleaner lower portion, as shown and described.

**DESCRIPTION**

FIG. 1 is a perspective view of a vacuum cleaner lower portion showing our new design; FIG. 2 is a top plan view thereof; FIG. 3 is a front elevational view thereof; FIG. 4 is a left side elevational view thereof; FIG. 5 is a right side elevational view thereof; FIG. 6 is a rear elevational view thereof; and, FIG. 7 is a bottom plan view thereof. The details shown in broken lines in FIG. 7 are for illustrative purposes only and form no part of the claimed design.

**1 Claim, 4 Drawing Sheets**



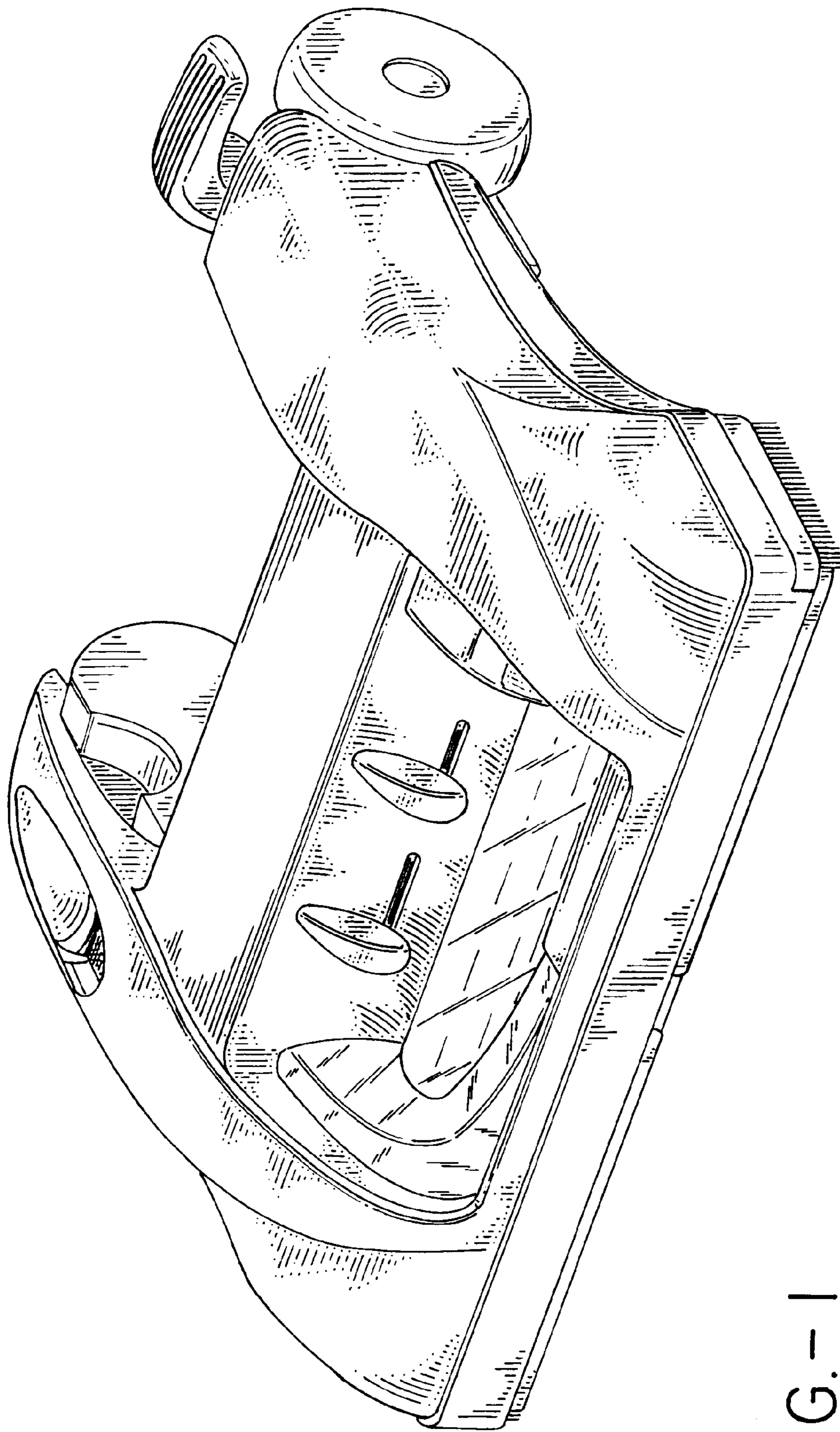


FIG. - 1



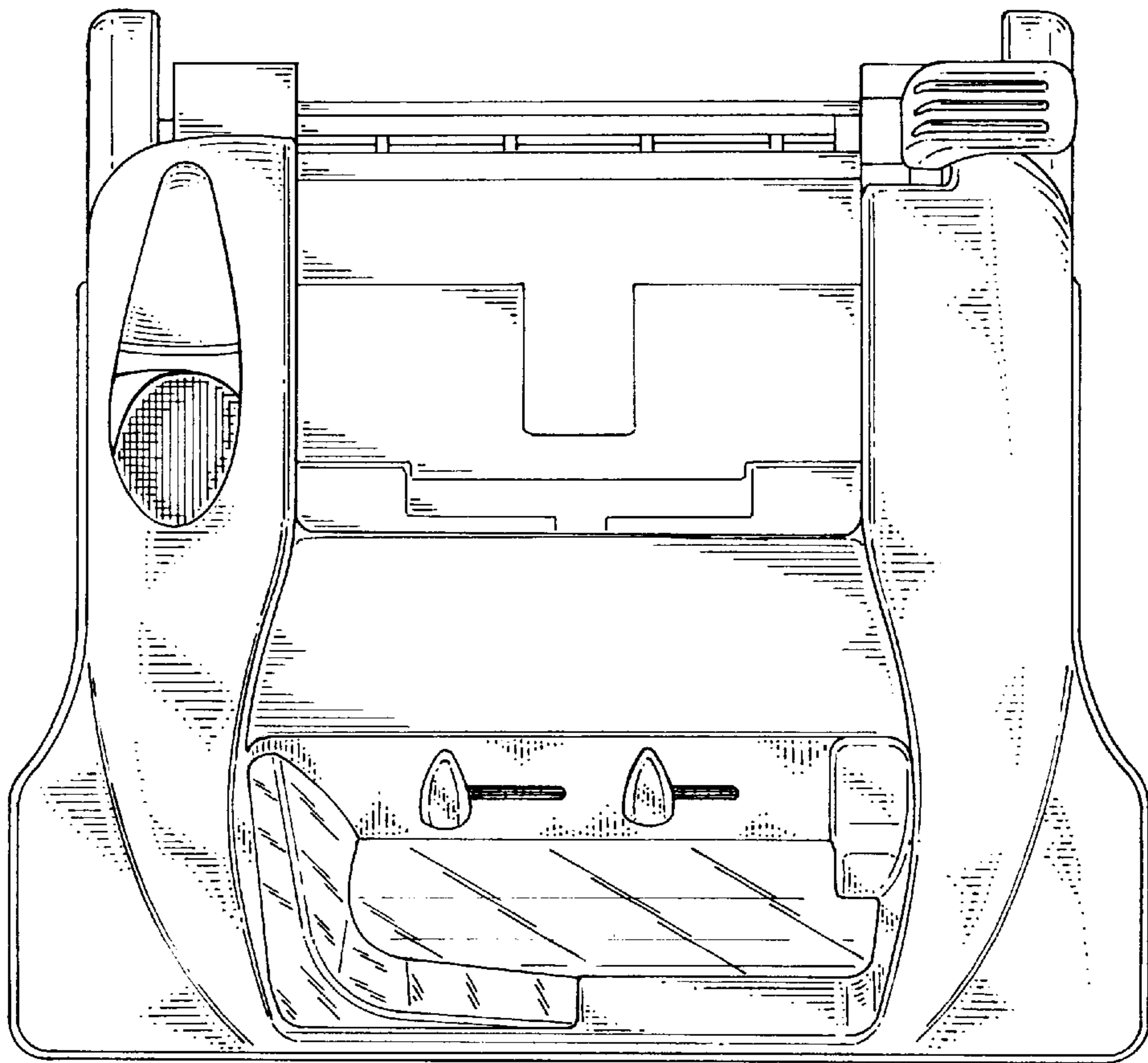


FIG. - 2

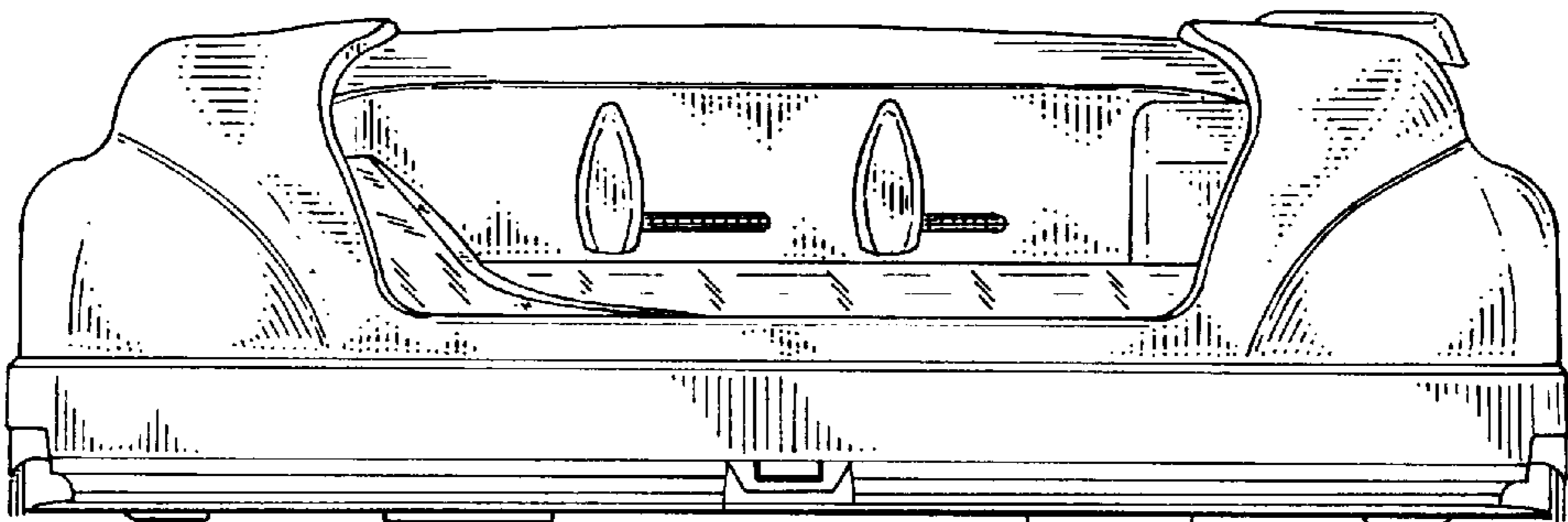


FIG. - 3

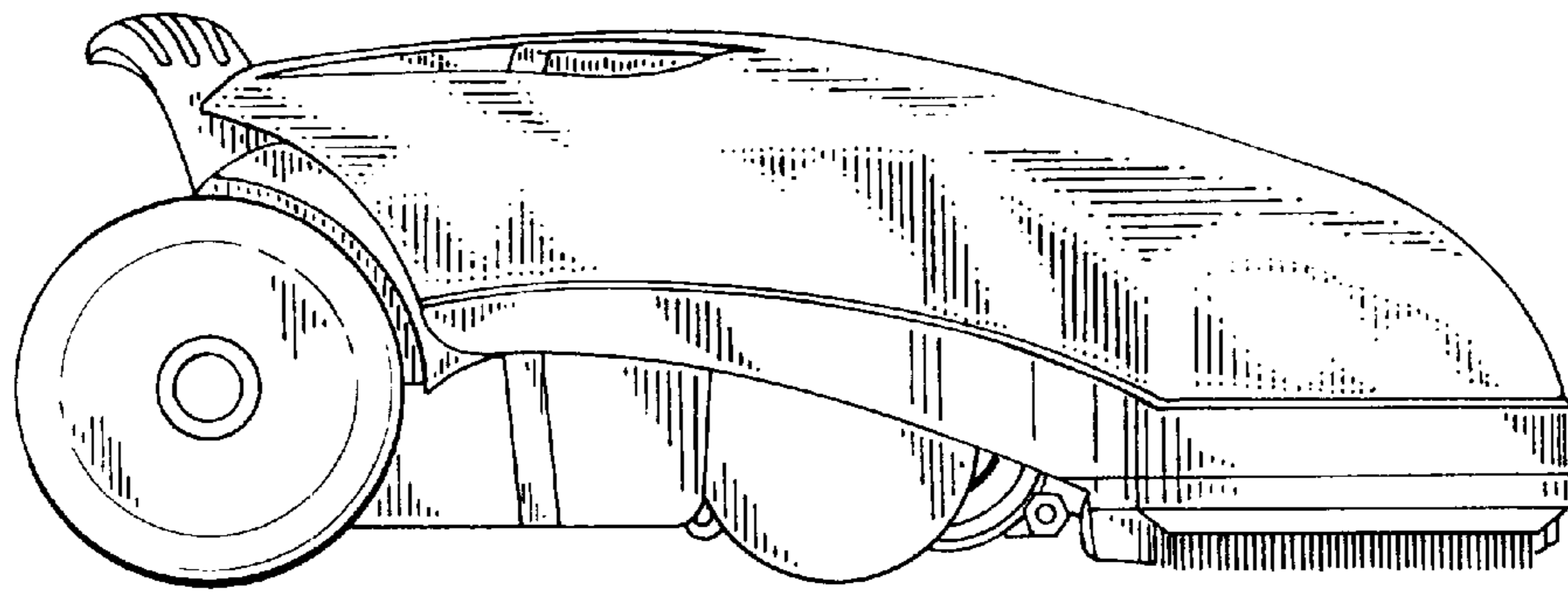


FIG. - 4

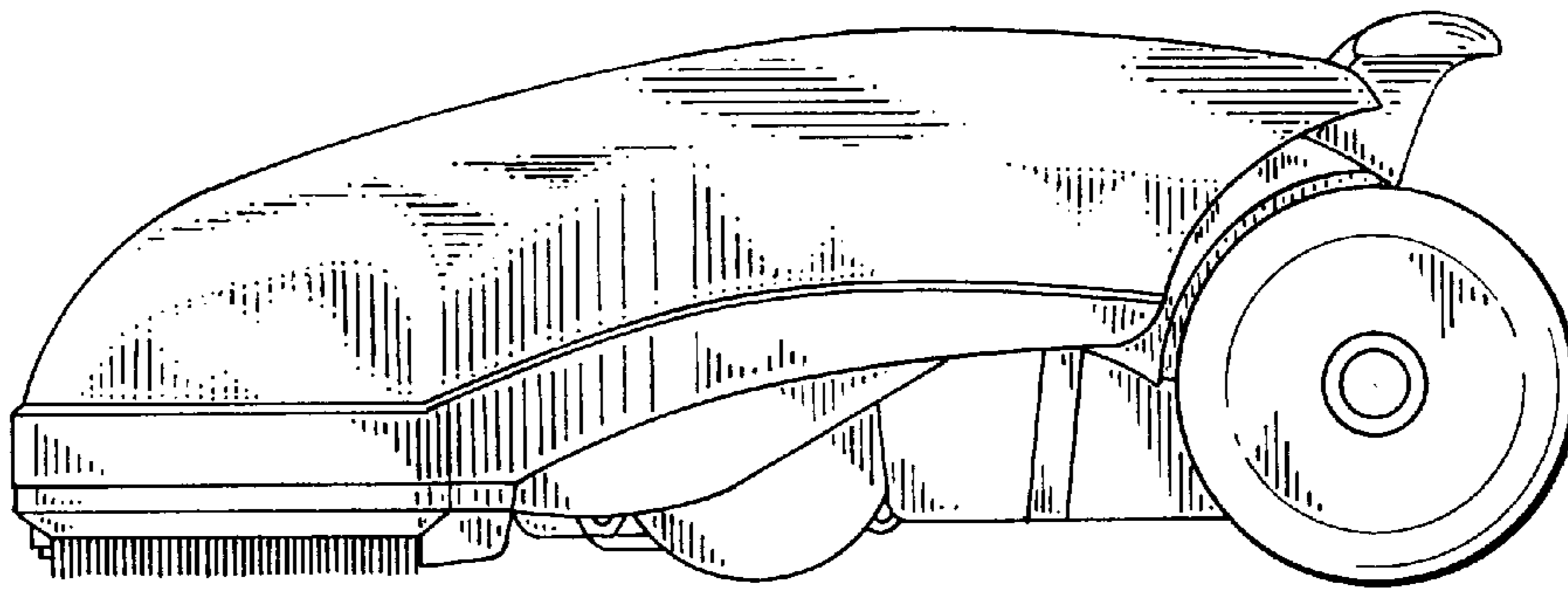


FIG. - 5

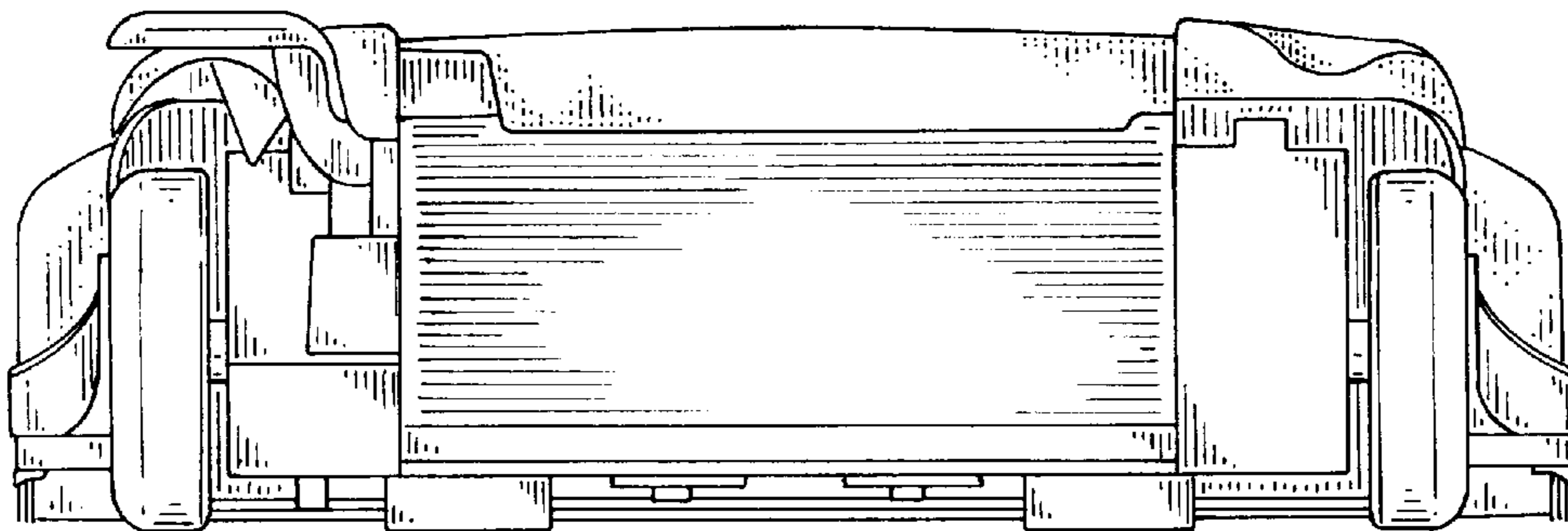


FIG. - 6

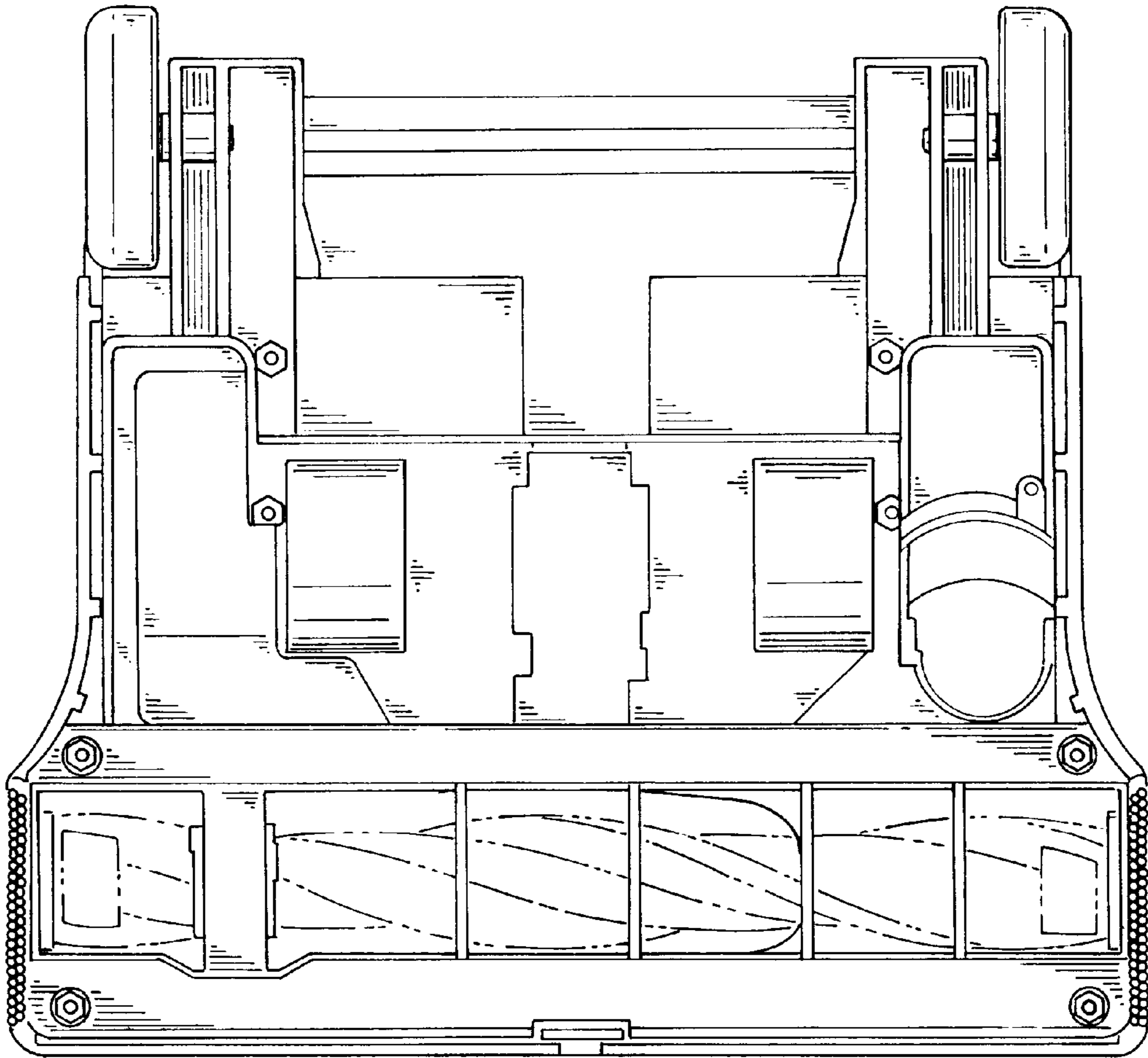


FIG.-7