



US00D431333S

United States Patent [19]

Stephens et al.

[11] Patent Number: Des. 431,333

[45] Date of Patent: ** Sep. 26, 2000

[54] FRONT MEDIAL PORTION OF A VACUUM CLEANER NOZZLE

[75] Inventors: **Ronald J. Stephens, Rittman; Sidney H. Bradd, Solon; Richard A. Wareham, North Canton, all of Ohio**

[73] Assignee: **The Hoover Company, North Canton, Ohio**

[**] Term: **14 Years**

[21] Appl. No.: **29/085,332**

[22] Filed: **Mar. 20, 1998**

[51] LOC (7) Cl. **15-05**

[52] U.S. Cl. **D32/32**

[58] Field of Search D32/21, 22, 31-34; 15/322, 354, 355, 358, 362, 366, 378, 400, 412, 414, 415.1-422, 422.1, 339

- D. 338,990 8/1993 McKnight .
- D. 346,052 4/1994 Saunders et al. .
- D. 349,371 8/1994 Furcorn et al. .
- D. 354,593 1/1995 Koike .
- D. 358,242 5/1995 McKnight .
- D. 365,669 12/1995 Piccaluga et al. .
- D. 368,559 4/1996 Abe et al. .
- D. 368,560 4/1996 Abe et al. .
- D. 371,652 7/1996 Umbach .
- D. 371,653 7/1996 Nagamine et al. .
- D. 375,821 11/1996 Roberts et al. .
- D. 393,112 3/1998 Essex et al. D32/333
- D. 405,571 2/1999 Gildersleeve D32/32
- D. 407,872 4/1998 Wareham et al. D32/31
- D. 412,380 7/1999 Wareham D32/32

FOREIGN PATENT DOCUMENTS

D-30189 9/1963 Canada .

Primary Examiner—Ruth McInroy
Attorney, Agent, or Firm—A. Burgess Lowe; Bruce P. Watson

[56] References Cited

U.S. PATENT DOCUMENTS

- D. 127,288 5/1941 Walker .
- D. 133,711 9/1942 Kruck .
- D. 213,132 1/1969 Gantz et al. .
- D. 249,349 9/1978 Wareham D32/32
- D. 262,539 1/1982 Wareham .
- D. 263,235 3/1982 Akita .
- D. 269,470 6/1983 Essex .
- D. 305,168 12/1989 Kroll .
- D. 309,807 8/1990 Sovis et al. .
- D. 333,892 3/1993 Wareham D32/32
- D. 335,556 5/1993 Kuriya .

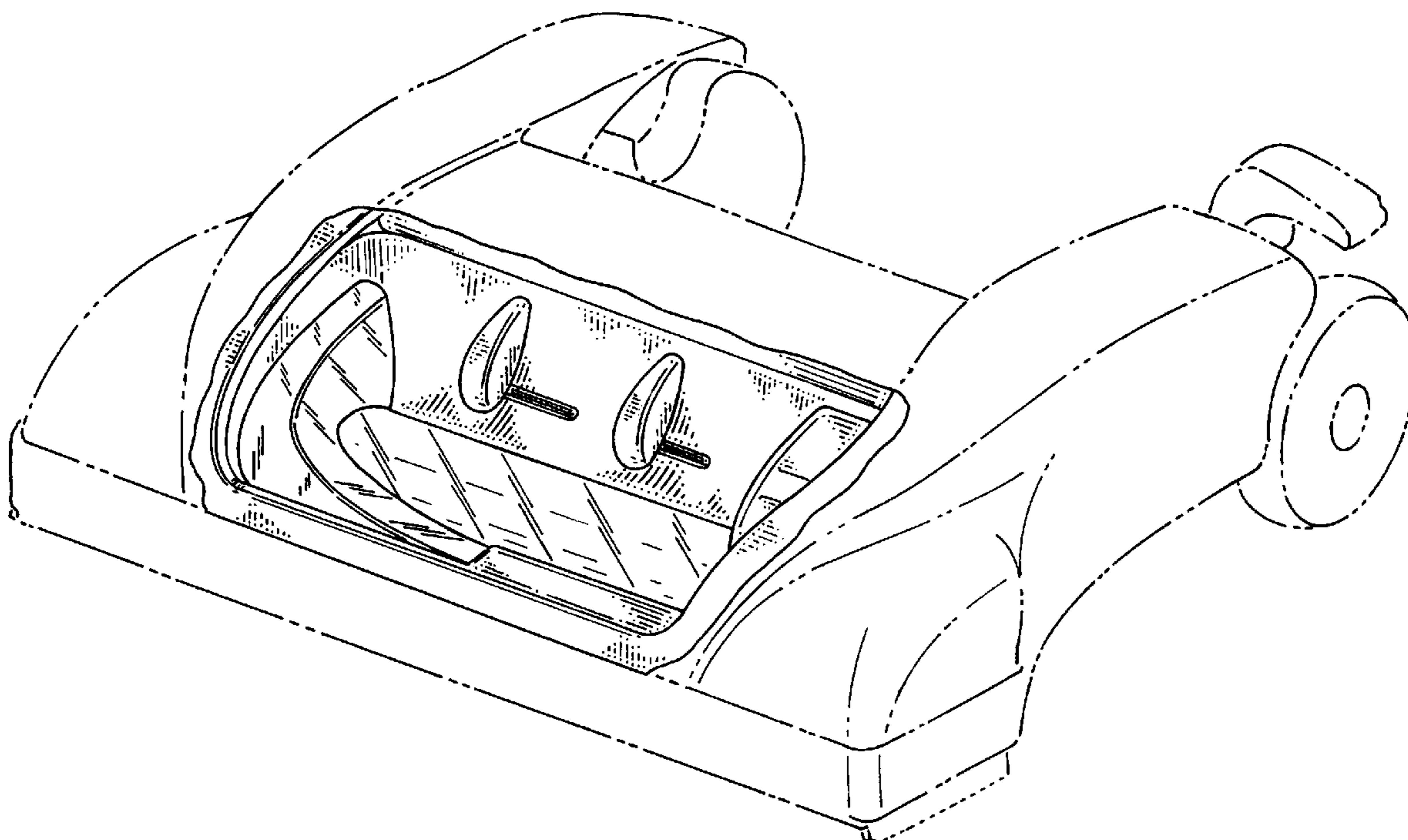
[57] CLAIM

The ornamental design for a front medial portion of a vacuum cleaner nozzle, as shown and described.

DESCRIPTION

FIG. 1 is a perspective view of a front medial portion of a vacuum cleaner nozzle showing our new design; FIG. 2 is a top plan view thereof; and, FIG. 3 is a front elevational view thereof. The details shown in broken lines are shown for illustrative purposes only and form no part of the claimed design.

1 Claim, 2 Drawing Sheets



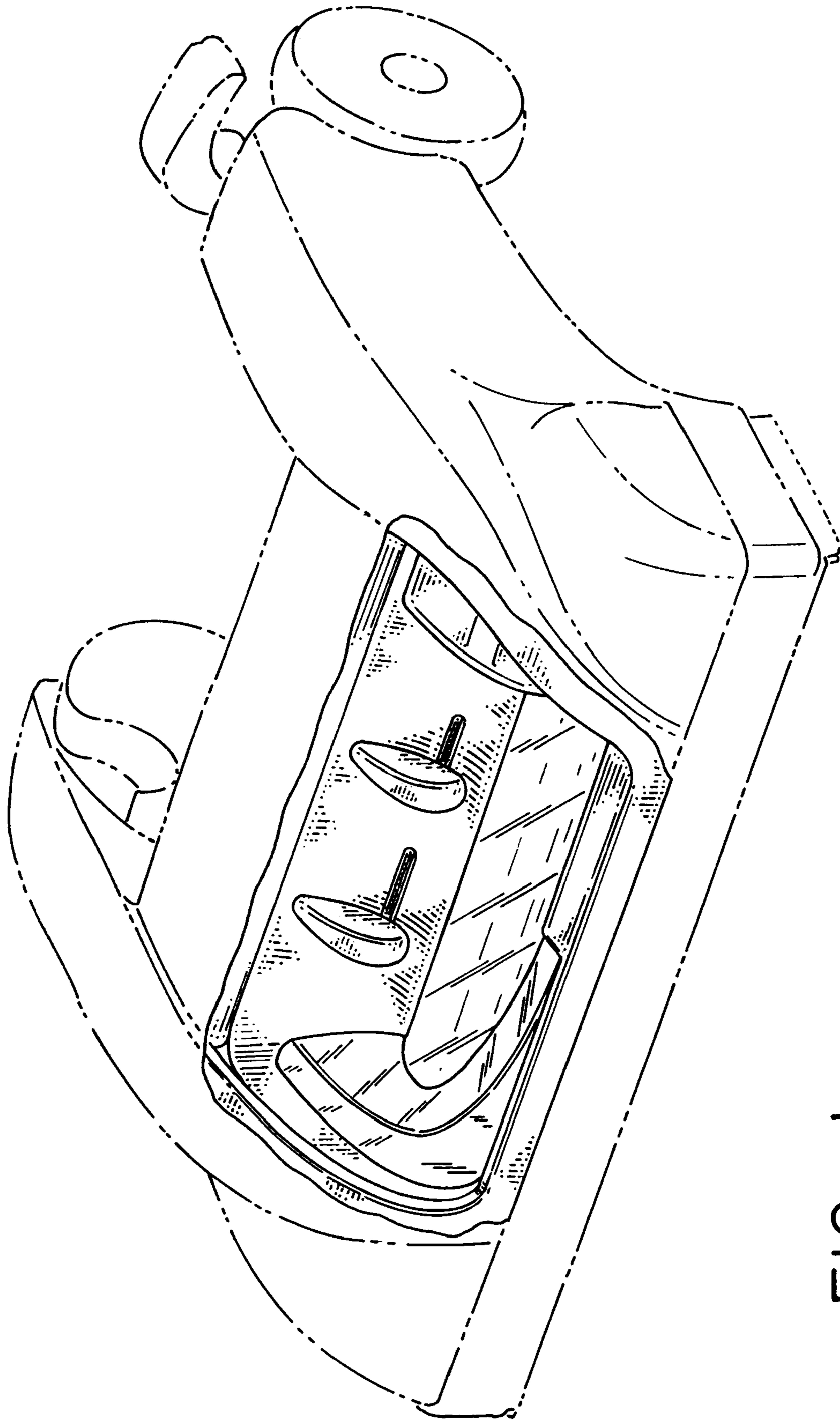


FIG.-1

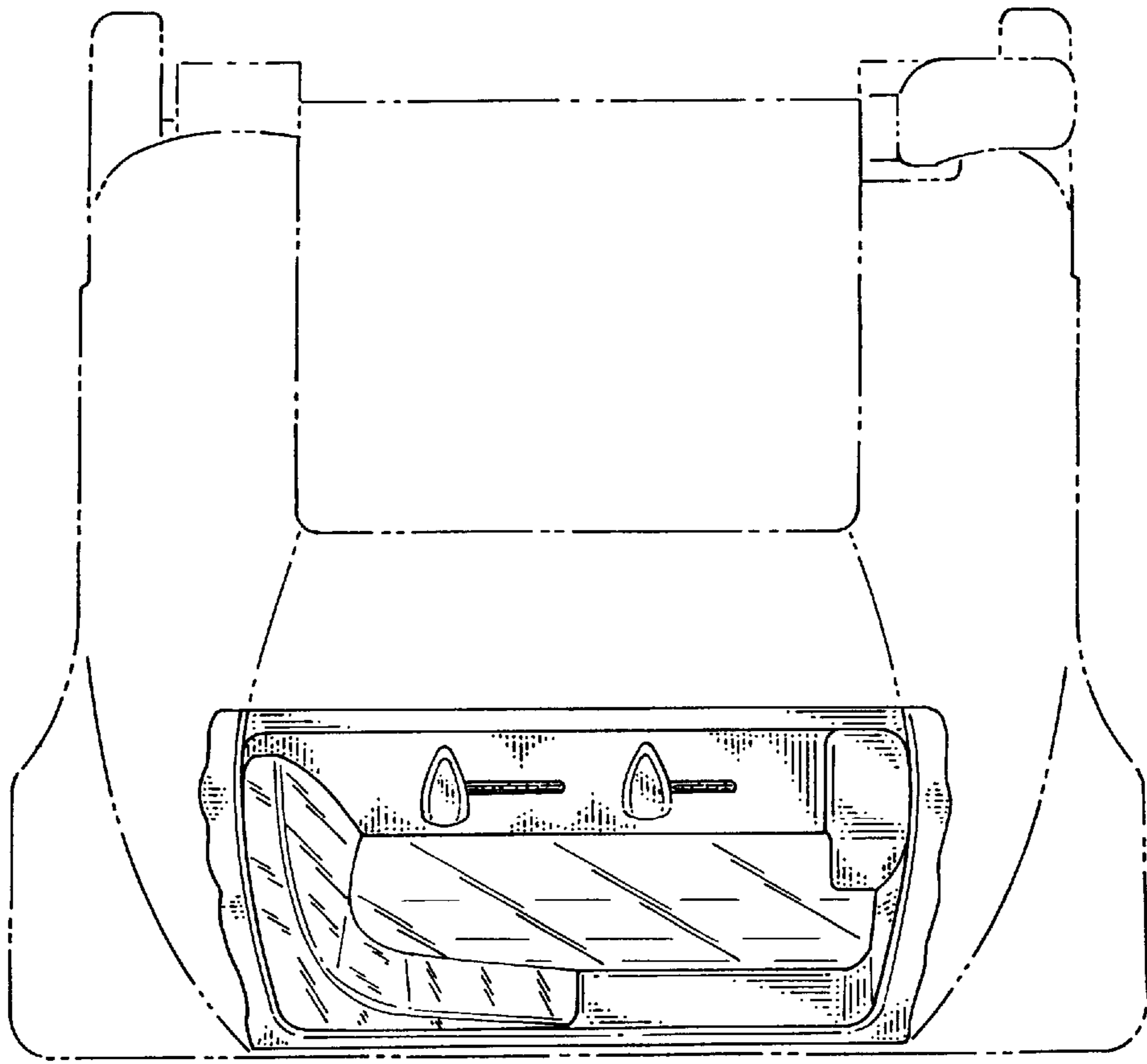


FIG. - 2

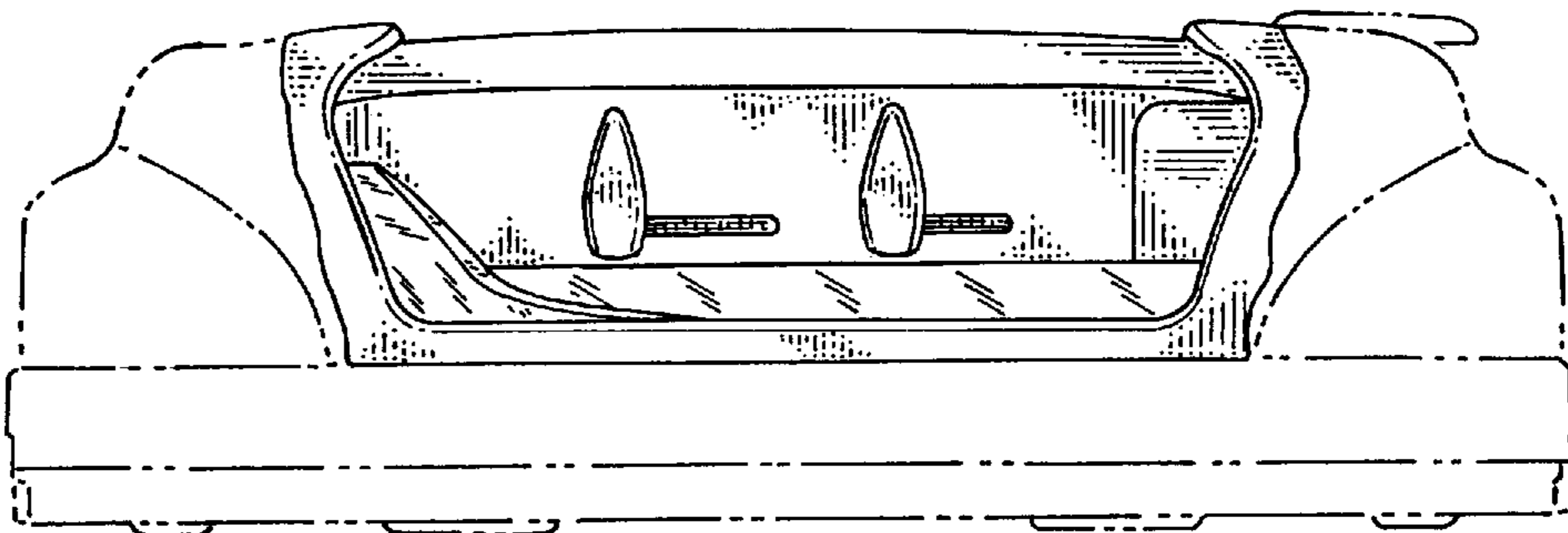


FIG. - 3