



US00D431330S

**United States Patent** [19]  
**Jones**

[11] **Patent Number: Des. 431,330**

[45] **Date of Patent: \*\* Sep. 26, 2000**

[54] **BIRD FEEDER**

[76] Inventor: **Thomas E. Jones**, 4545 W. State Rd.  
218, Berne, Ind. 46711

[\*\*] Term: **14 Years**

[21] Appl. No.: **29/101,101**

[22] Filed: **Feb. 25, 1999**

[51] **LOC (7) Cl.** ..... **30-03**

[52] **U.S. Cl.** ..... **D30/124**

[58] **Field of Search** ..... D30/124-128,  
D30/121, 110, 111; 119/57.8, 57.9, 52.2,  
52.3, 53, 51.01, 51.03, 428, 429

[56] **References Cited**

**U.S. PATENT DOCUMENTS**

D. 185,682	7/1959	Sheffler .	
D. 200,317	2/1965	Entyre .	
D. 330,953	11/1992	Schneider .....	D30/124
D. 367,550	2/1996	Drummond .....	D30/119
D. 380,878	7/1997	Brown .....	D30/121
D. 388,754	1/1998	Largent .....	D11/157
D. 391,192	2/1998	Speedling et al. ....	D11/131
D. 392,208	3/1998	Chong .....	D11/127
D. 398,722	9/1998	Hardison .....	D30/124
2,972,334	2/1961	Braden .....	119/51
4,441,457	4/1984	Sanford .	
5,022,349	6/1991	Bryant et al. ....	119/57.8

**OTHER PUBLICATIONS**

Duncraft Catalog, Oriole Fruit Feeder, Fruit Kabob, 1991, p. 24.

*Primary Examiner*—Louis S. Zarfaz  
*Assistant Examiner*—Catherine R. Oliver  
*Attorney, Agent, or Firm*—Ice Miller Donadio & Ryan;  
Thomas A. Walsh; Doreen J. Gridley

[57] **CLAIM**

The ornamental design for a bird feeder, as shown and described.

**DESCRIPTION**

FIG. 1 is a front elevational view of a bird feeder showing the new design, with the rear view being a mirror image thereof;

FIG. 2 is a top plan view thereof;

FIG. 3 is a left side elevational view thereof, with the right side being a mirror image thereof;

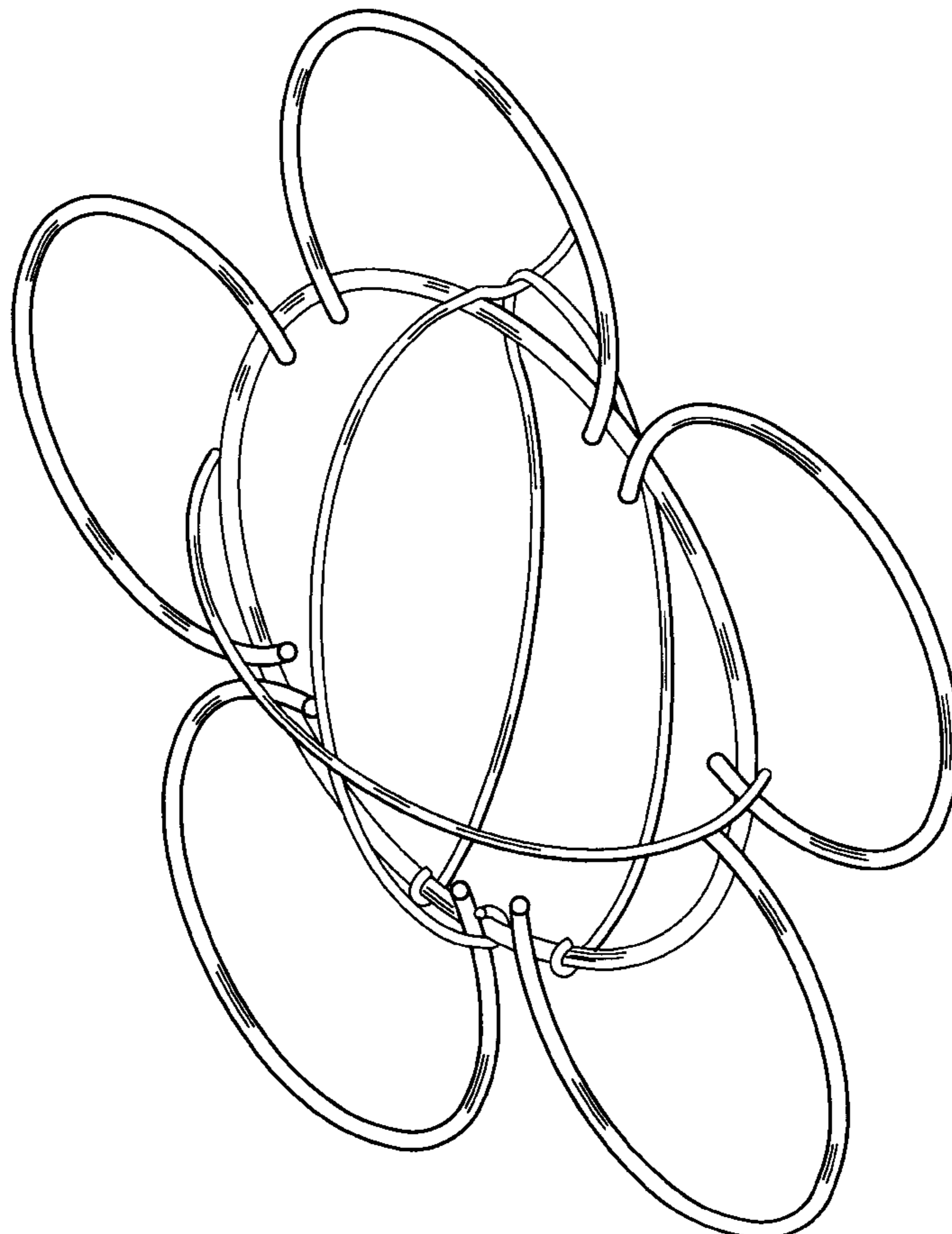
FIG. 4 is left side perspective view thereof;

FIG. 5 is a bottom plan view thereof; and,

FIG. 6 is a left side perspective view thereof, illustrating its use with a bird feeder stand not considered part of the bird feeder.

The bird feeder stand in FIG. 6 is shown in broken lines for illustrative purposes only and forms no part of the claimed design.

**1 Claim, 6 Drawing Sheets**



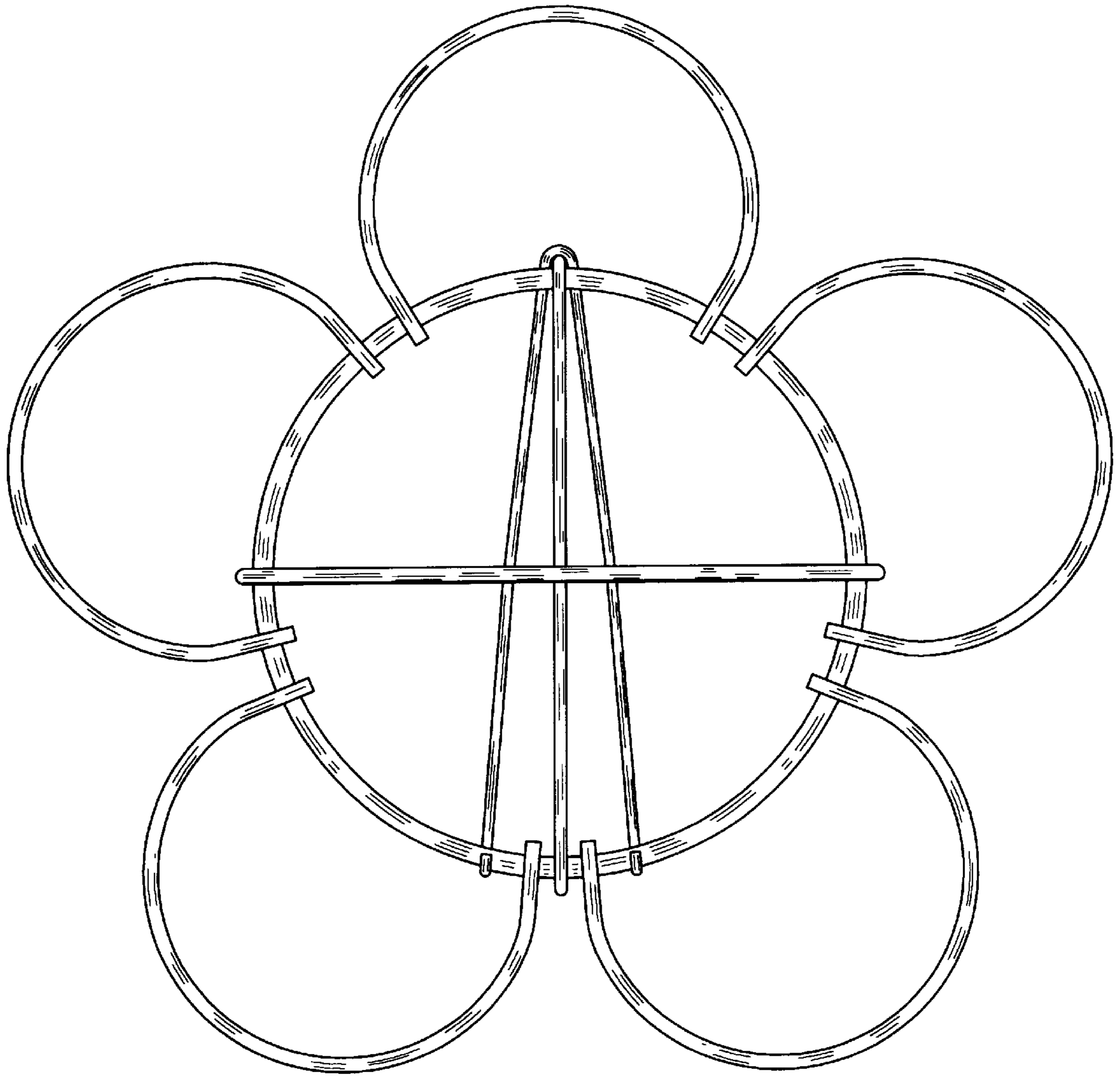


FIG. 1

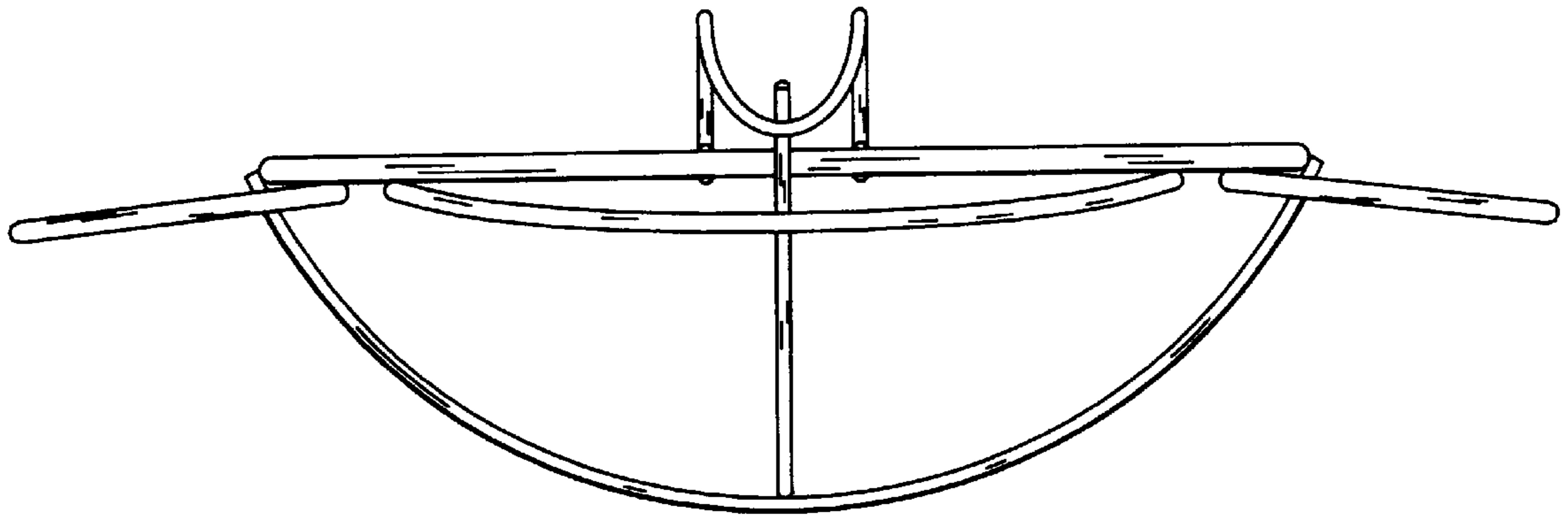


FIG. 2

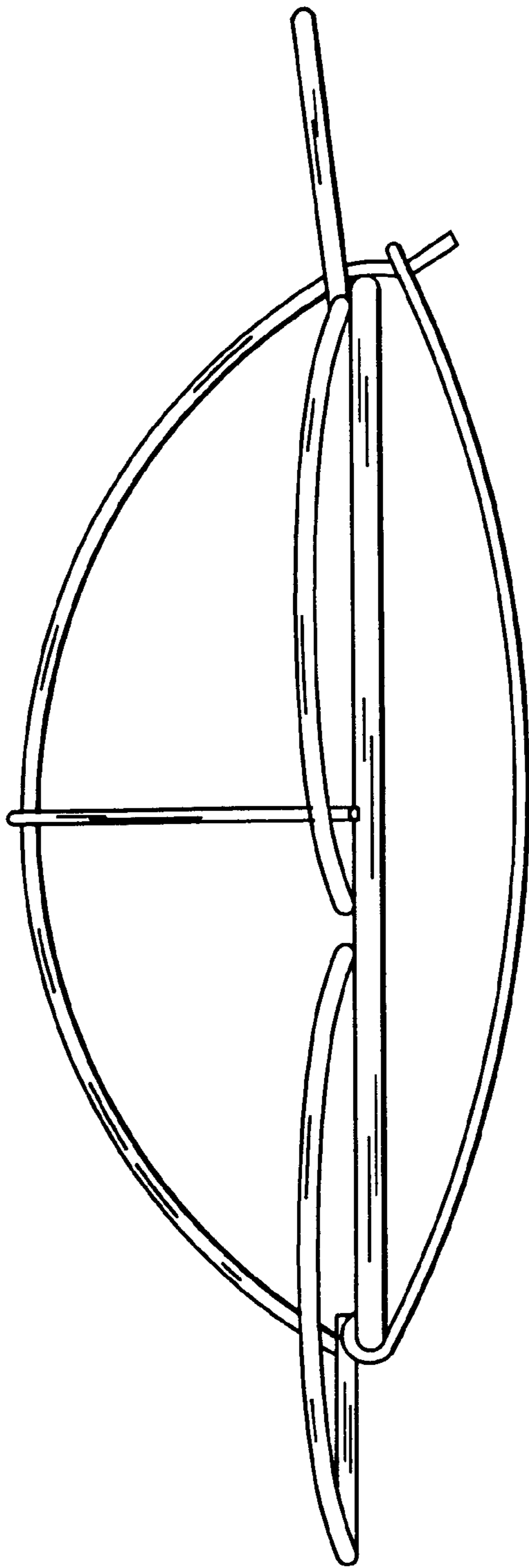


FIG. 3

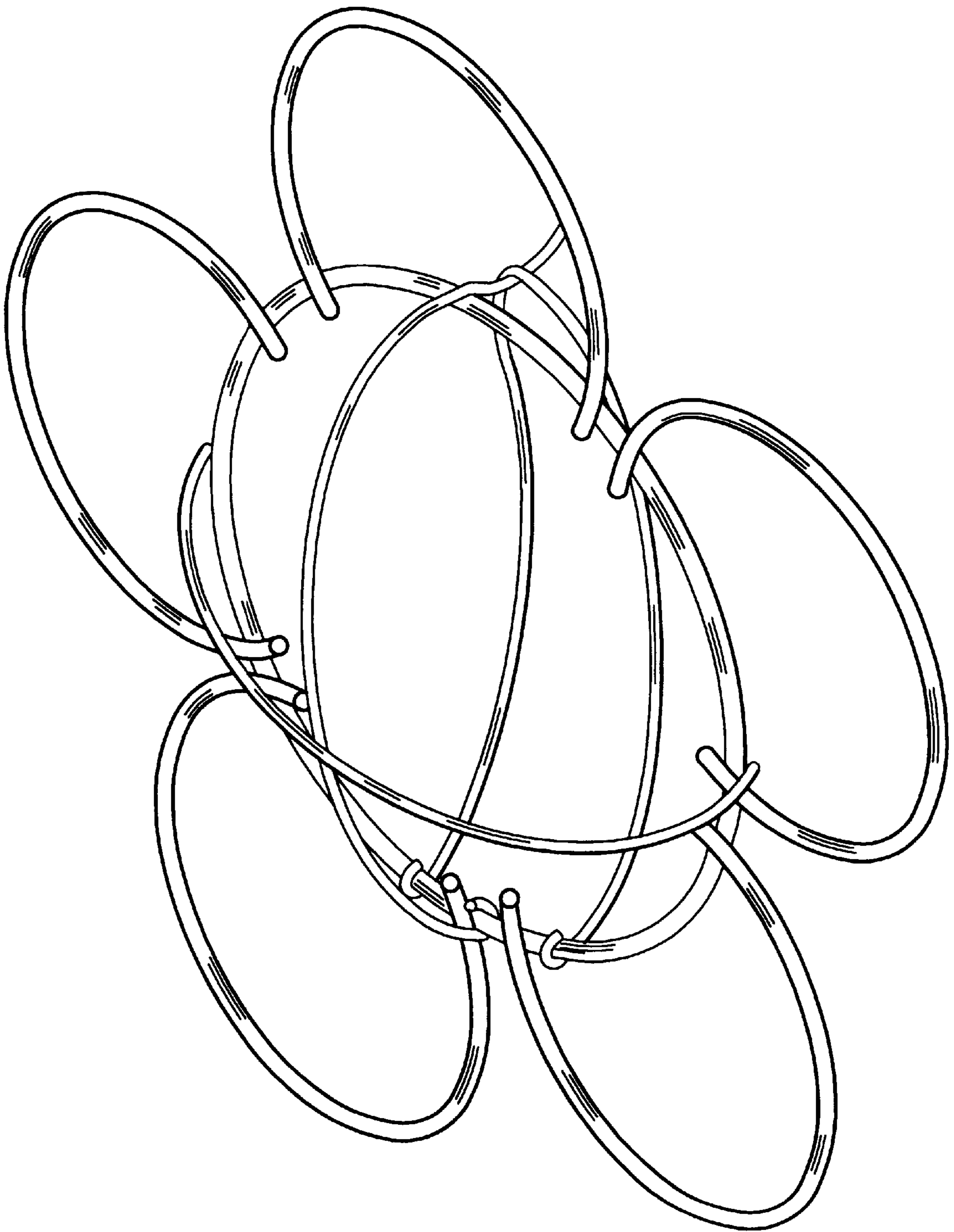


FIG. 4

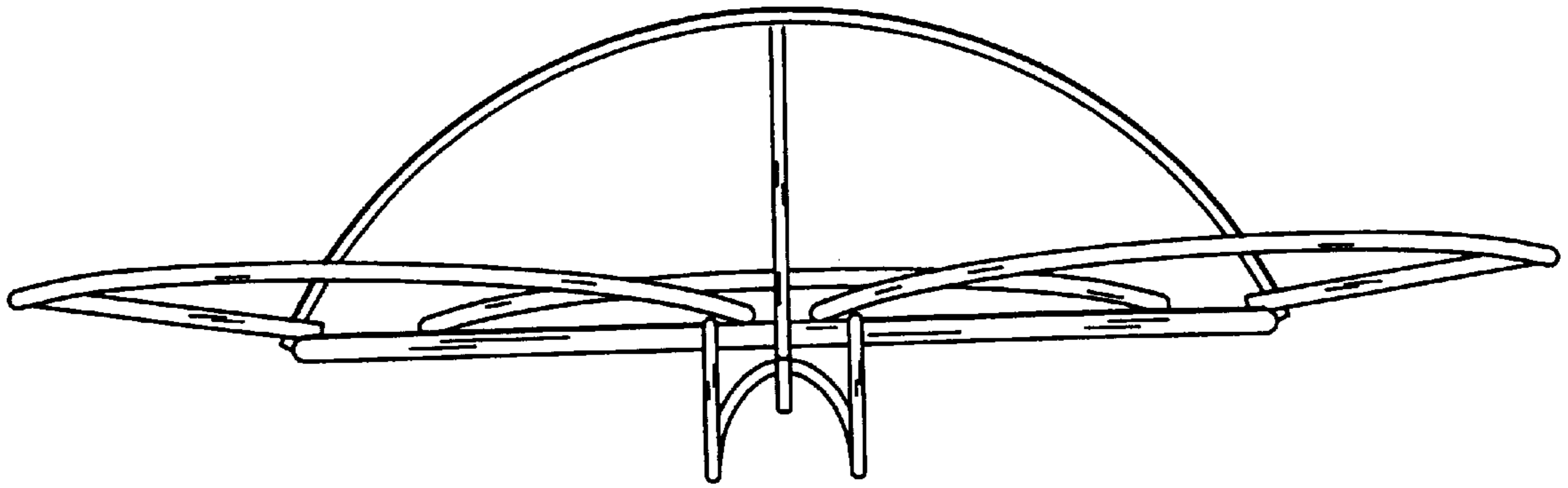


FIG. 5

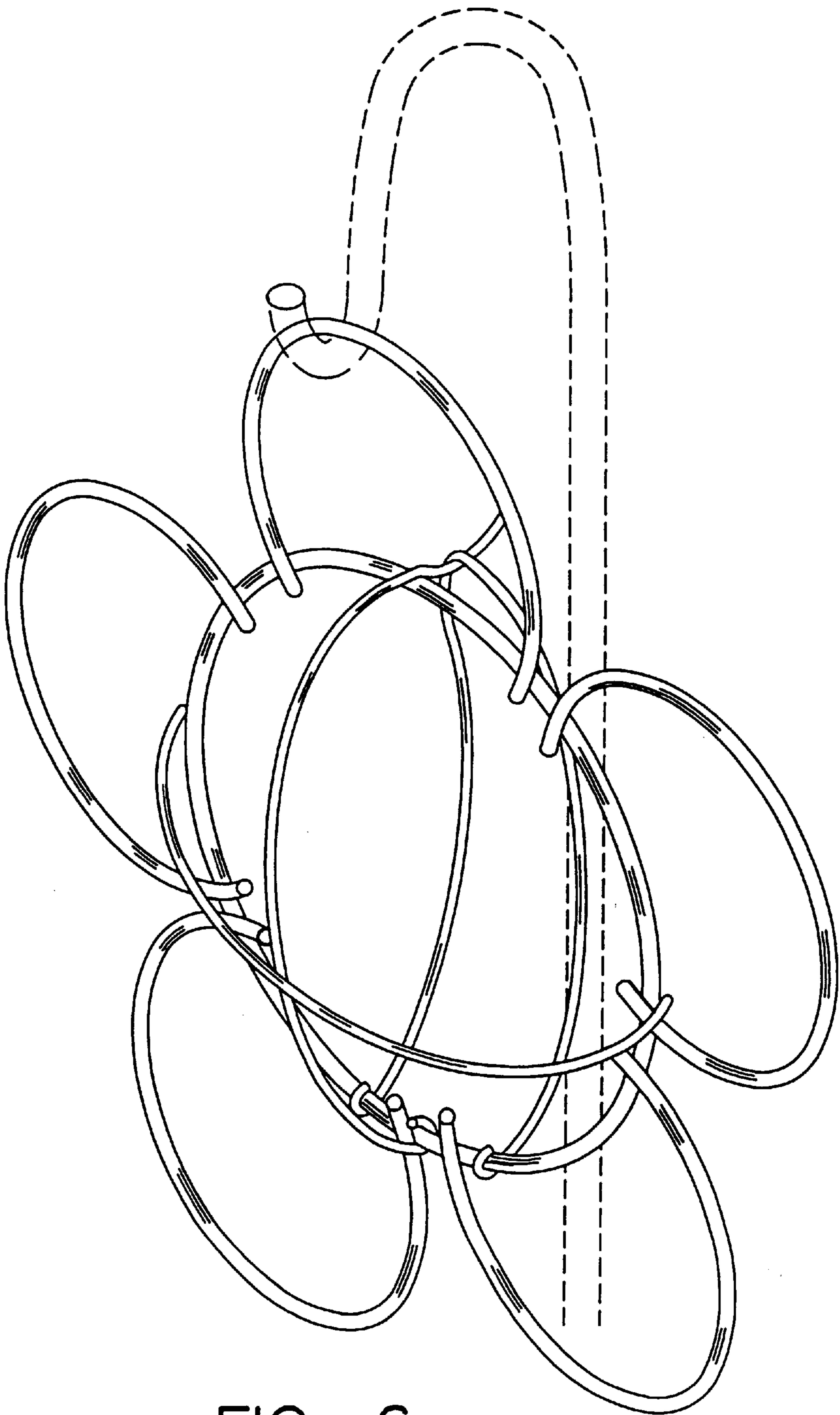


FIG. 6