



US00D431328S

United States Patent [19] Tanner

[11] Patent Number: Des. 431,328

[45] Date of Patent: ** Sep. 26, 2000

[54] TWO-PIECE WELDING HELMET

4,989,598 2/1991 Berg et al. 2/8
5,857,215 1/1999 Ferguson et al. 2/412

[75] Inventor: Mark Tanner, Valley Park, Mo.

OTHER PUBLICATIONS

[73] Assignee: Jackson Products, Inc., Chesterfield, Mo.

Quality Jackson Products brochure assorted helmets, p. 3, from D29/102 patent shoe, Nov. 1965.

[**] Term: 14 Years

“The Complete Speedglas® Catalog”, Hornell Speedglas Inc., specifically p. 5, 1999.

[21] Appl. No.: 29/103,213

Primary Examiner—Louis S. Zarfes

[22] Filed: Apr. 9, 1999

Assistant Examiner—Robert A. Delehanty

Attorney, Agent, or Firm—Howell & Haferkamp, LC

[51] LOC (7) Cl. 29-02

[52] U.S. Cl. D29/110

[58] Field of Search D29/102–107,
D29/109–110, 108, 122; D2/865–866, 869,
871, 872, 875, 876, 879, 882, 881; 2/411–412,
414–415, 421, 423–425, 7, 9, 8, 12, 15,
427–430

[57] CLAIM

The ornamental design for a two-piece welding helmet, as shown and described.

[56] References Cited

U.S. PATENT DOCUMENTS

D. 226,251	2/1973	Raschke	D29/105
D. 267,207	12/1982	Hilton	D29/110
D. 296,832	7/1988	Bachik	D29/110
D. 308,266	5/1990	Van Wyk	D29/110
D. 310,276	8/1990	Fuerthbauer et al.	D29/110
D. 310,432	9/1990	Boochar	D29/110
D. 365,666	12/1995	Gumpp	D29/110
D. 393,933	4/1998	Huh	D29/110
D. 394,732	5/1998	Huh	D29/110
3,026,525	3/1962	Gyorfy	D29/107
4,863,244	9/1989	Fuerthbauer et al.	2/8

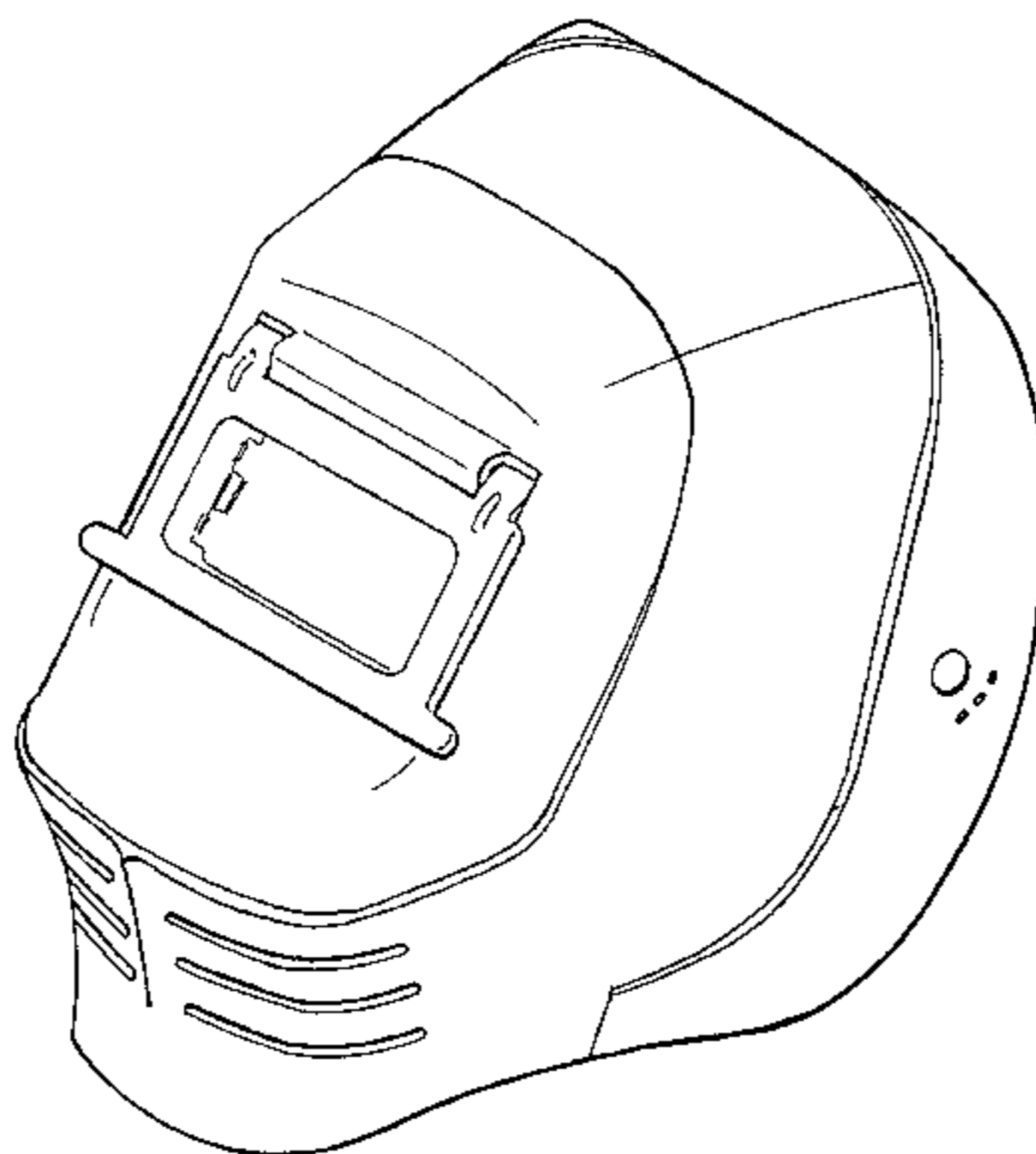
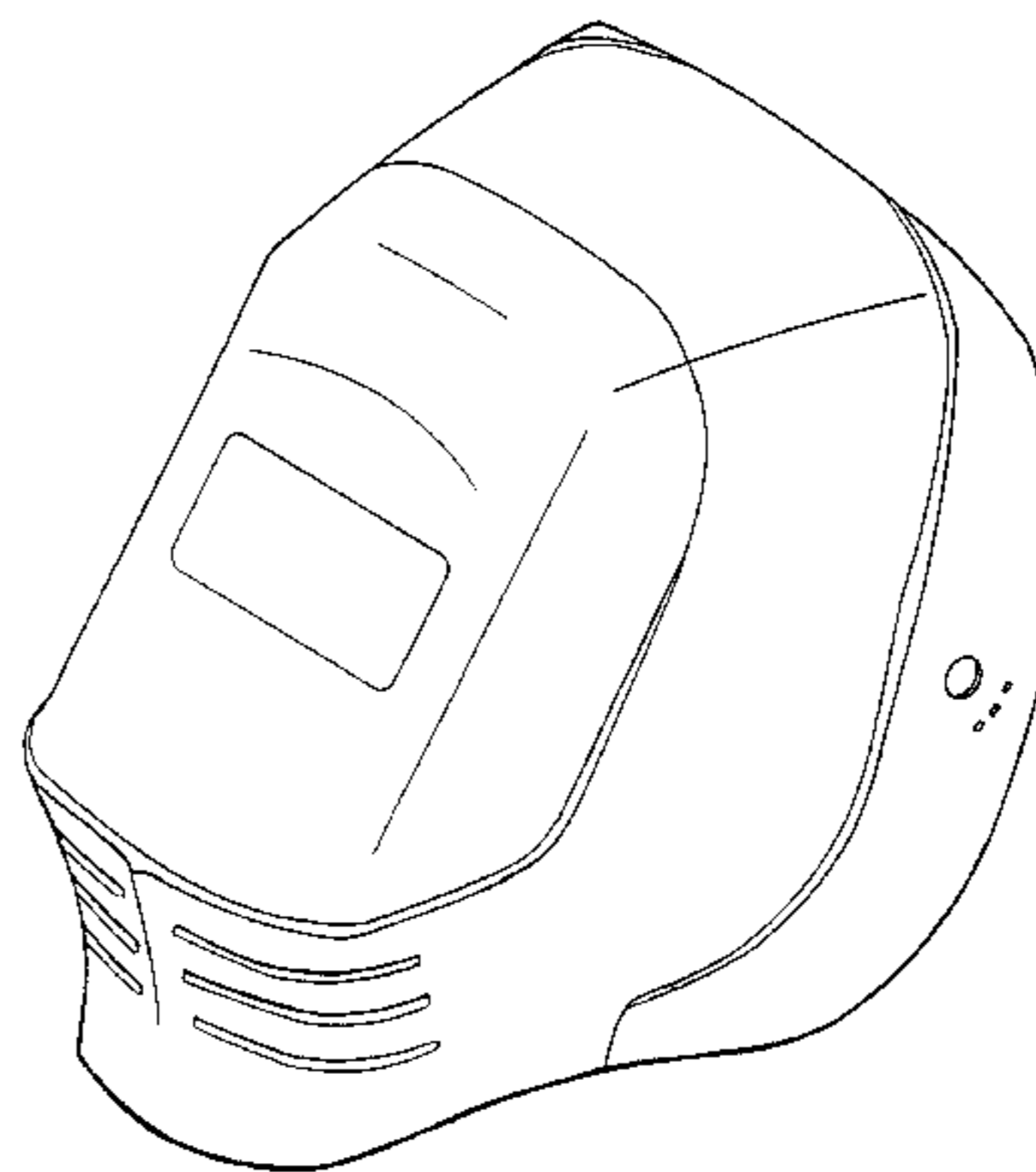
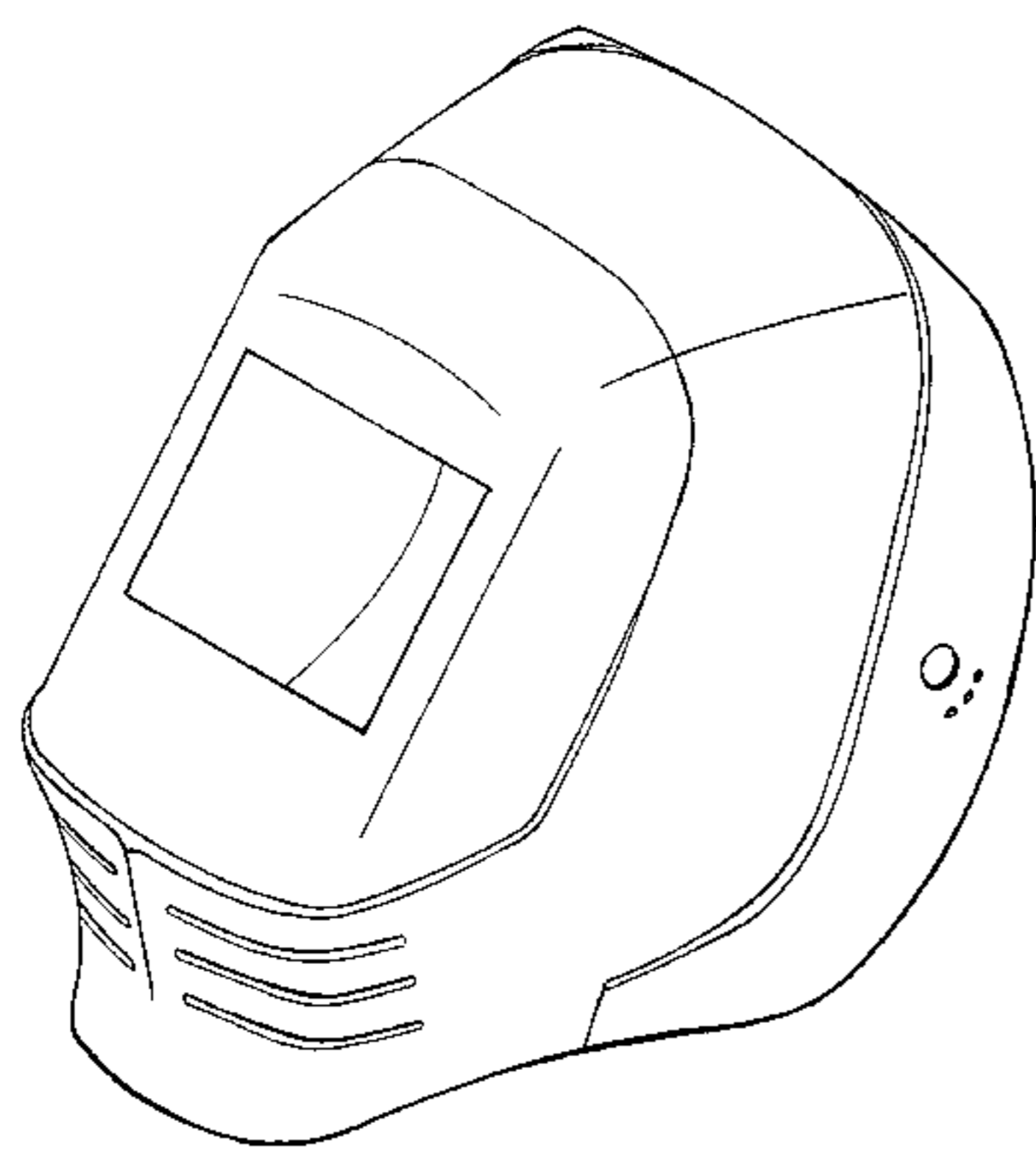
DESCRIPTION

FIG. 1 is perspective view of a first embodiment of a two-piece welding helmet showing my new design it being understood that the opposite side is a mirror image thereof; FIG. 2 is a perspective view of a second embodiment of a two-piece welding helmet it being understood that the opposite side is a mirror image thereof; and,

FIG. 3 is a perspective view of third embodiment of a two-piece welding helmet it being understood that the opposite side is a mirror image thereof.

The surfaces or portions of the bottom and rear views of the two-piece welding helmet not shown in the drawing or described in the specification form no part of the claimed design.

1 Claim, 3 Drawing Sheets



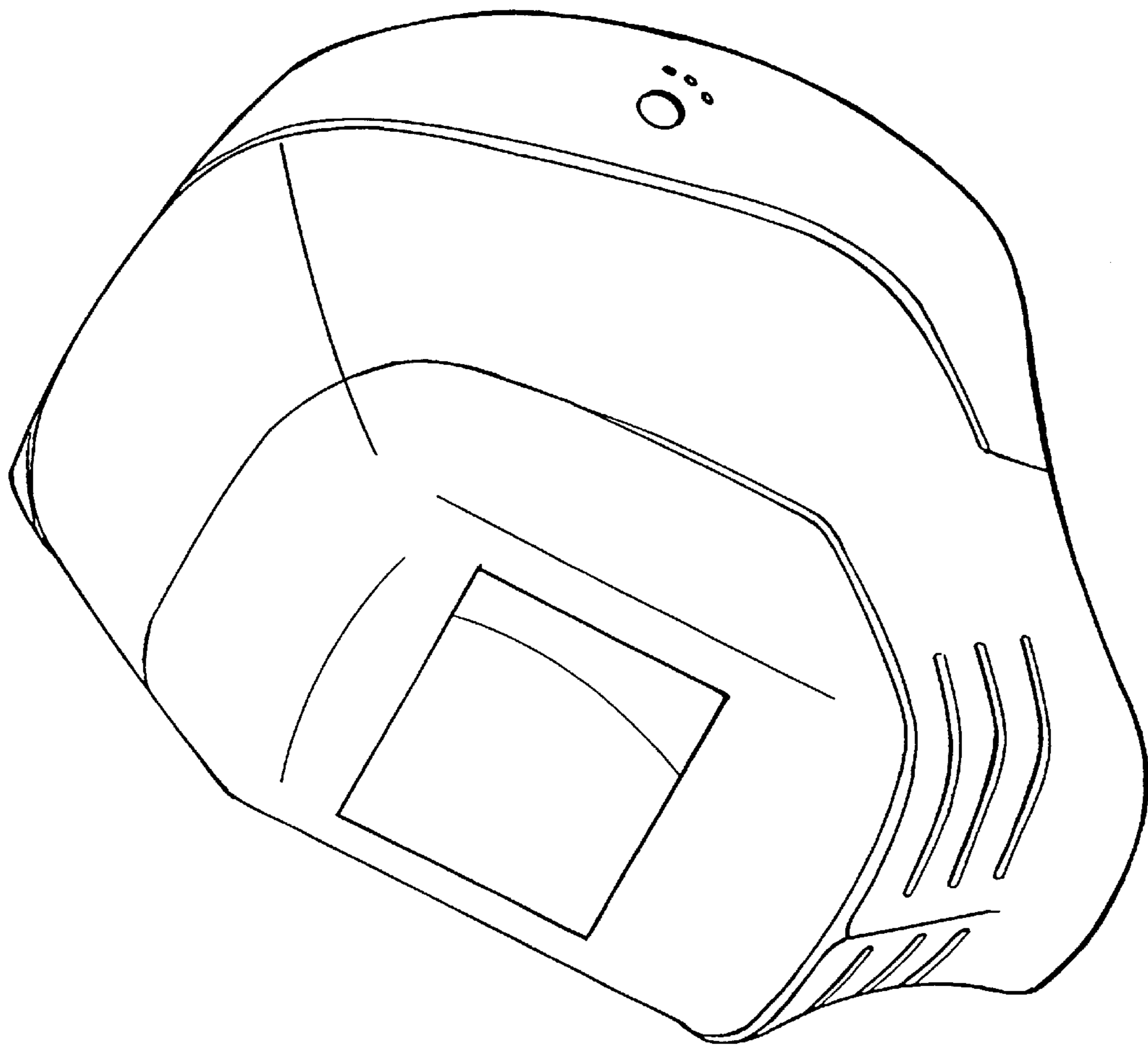


Figure 1

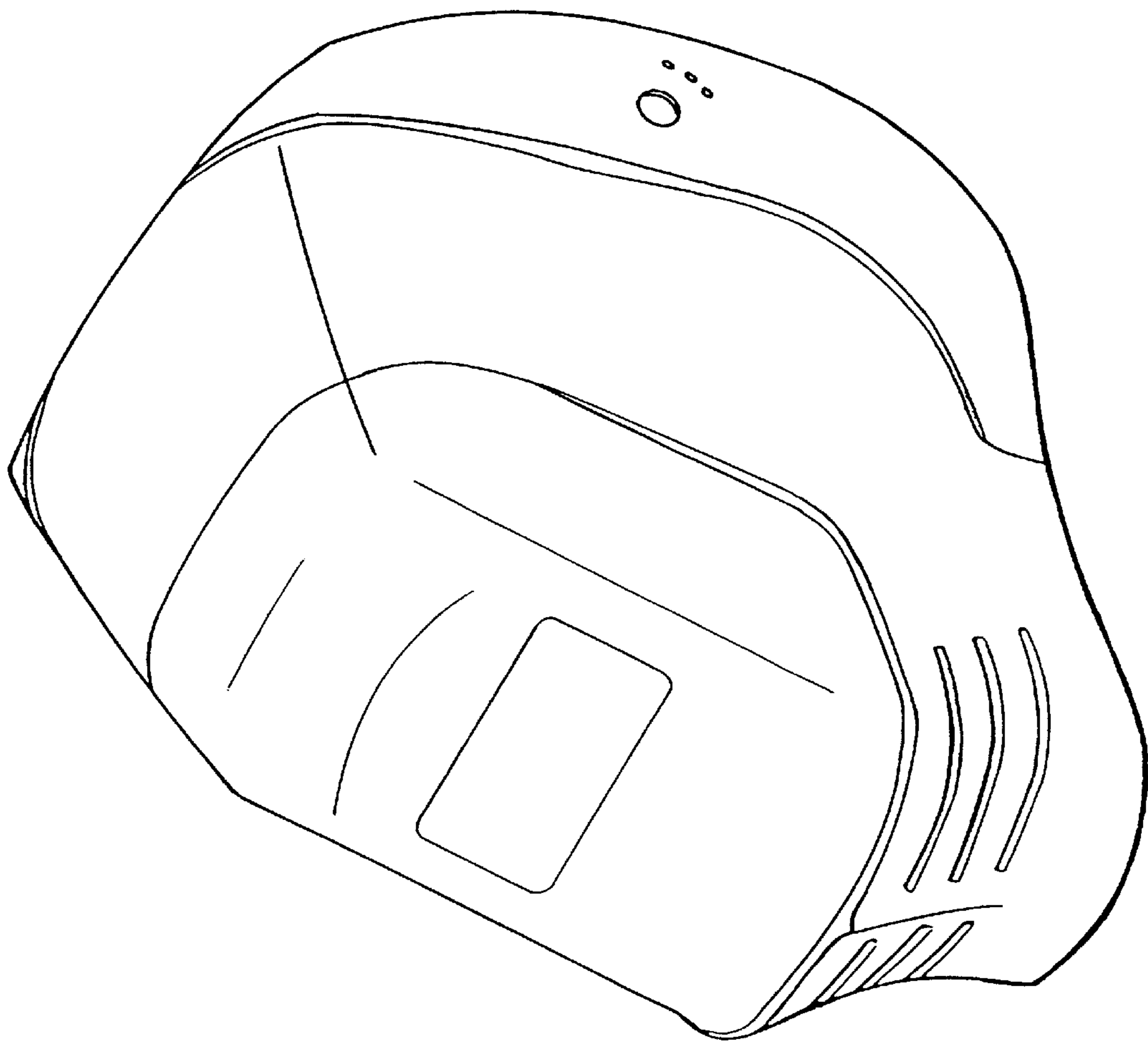


Figure 2

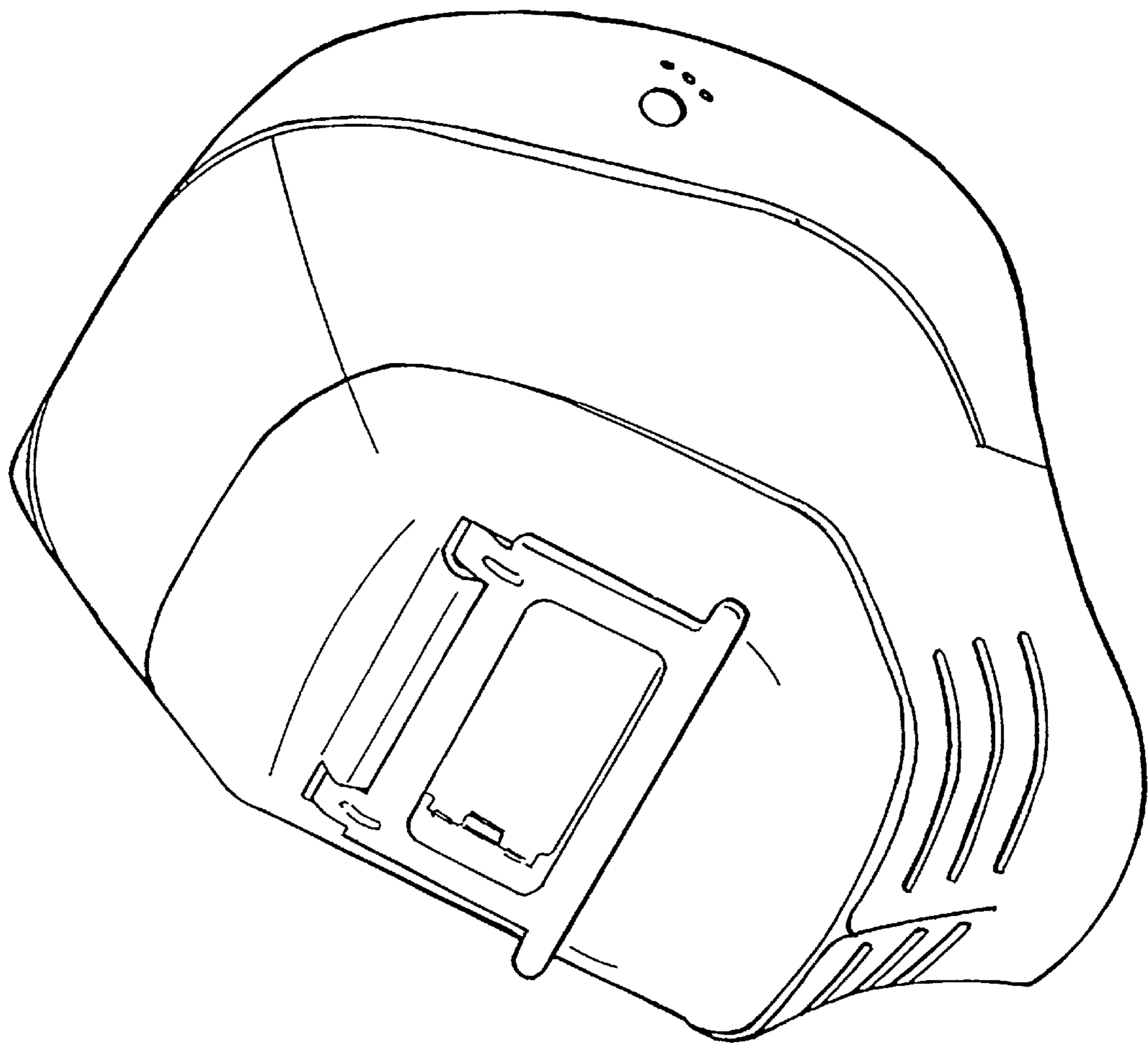


Figure 3