



US00D431321S

United States Patent [19] Wong

[11] **Patent Number: Des. 431,321**

[45] **Date of Patent: ** Sep. 26, 2000**

[54] **CORNER FOR AN ELECTRIC RAZOR**

3,094,777 6/1963 Furst 30/202
3,673,684 7/1972 Muntz 30/34.2
4,614,036 9/1986 Haraguchi 30/200

[76] Inventor: **Peter H. Wong**, 15 Roslyn Hills Dr.,
Richmond, Va. 23229

[**] Term: **14 Years**

Primary Examiner—Ted Shooman
Assistant Examiner—C Tuttle

[21] Appl. No.: **29/075,635**

[57] **CLAIM**

[22] Filed: **Sep. 3, 1997**

The ornamental design for a corner for an electric razor, as shown and described.

[51] **LOC (7) Cl.** **28-03**

DESCRIPTION

[52] **U.S. Cl.** **D28/49**

[58] **Field of Search** D28/49-54; 30/34.05,
30/34.1, 34.2, 42, 43, 43.1-43.9, 43.91,
43.92

FIG. 1 is a bottom, front and right end perspective view showing my new design;
FIG. 2 is a front view thereof;
FIG. 3 is a bottom view.
FIG. 4 is a right end view thereof;
FIG. 5 is an inverted rear view thereof;
FIG. 6 is a left end view thereof; and,
FIG. 7 is a top view.

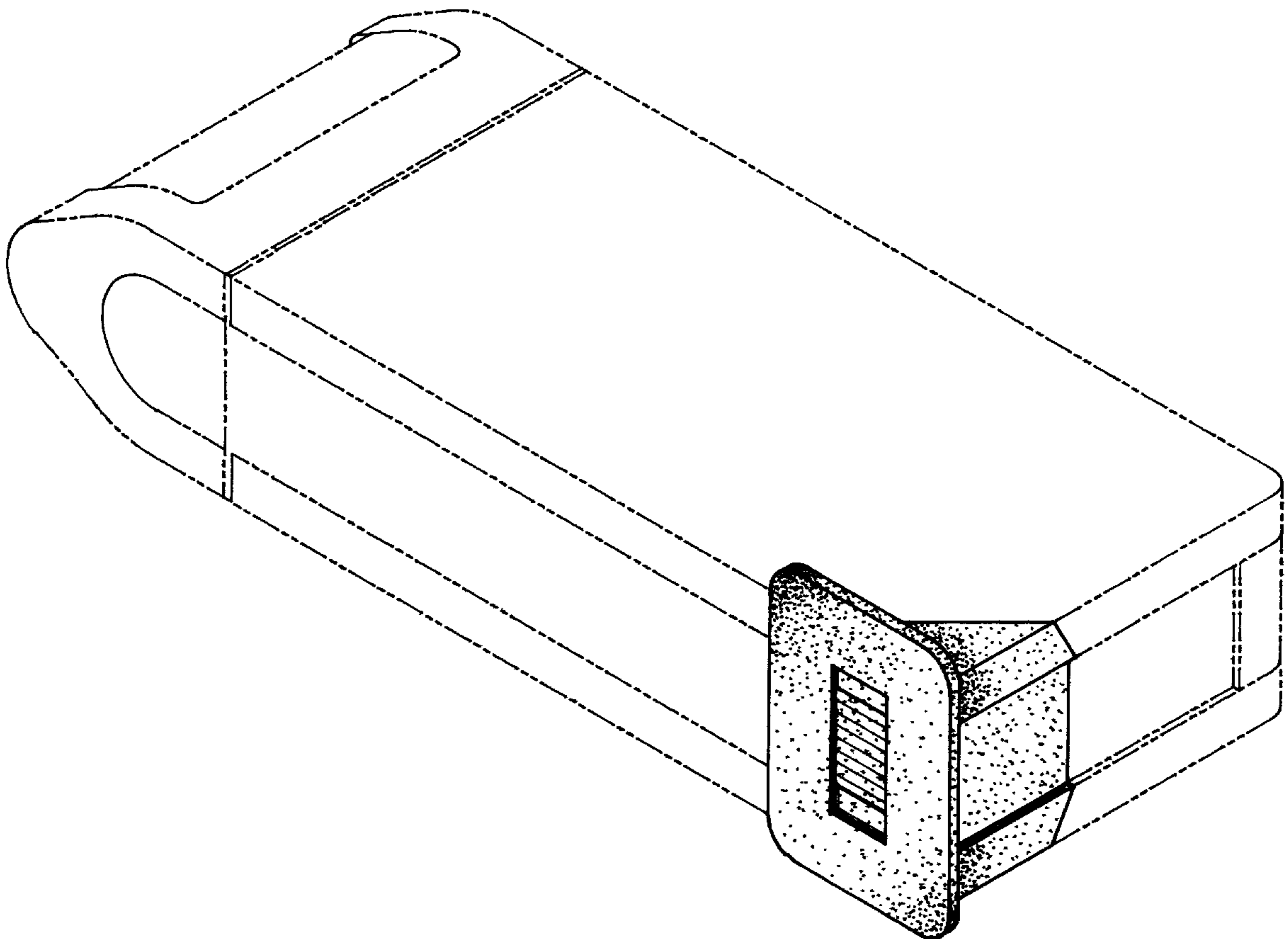
[56] **References Cited**

U.S. PATENT DOCUMENTS

D. 195,953 8/1963 Boldt D28/51
D. 235,697 7/1975 Ikejima et al. D28/49
D. 285,979 9/1986 Satoh et al. D28/50
D. 294,745 3/1988 Mockovak D28/49
2,574,317 11/1951 Berg 30/34.1

The broken line showing of the electric razor is for illustrative purposes only and forms no part of the claim design.

1 Claim, 3 Drawing Sheets



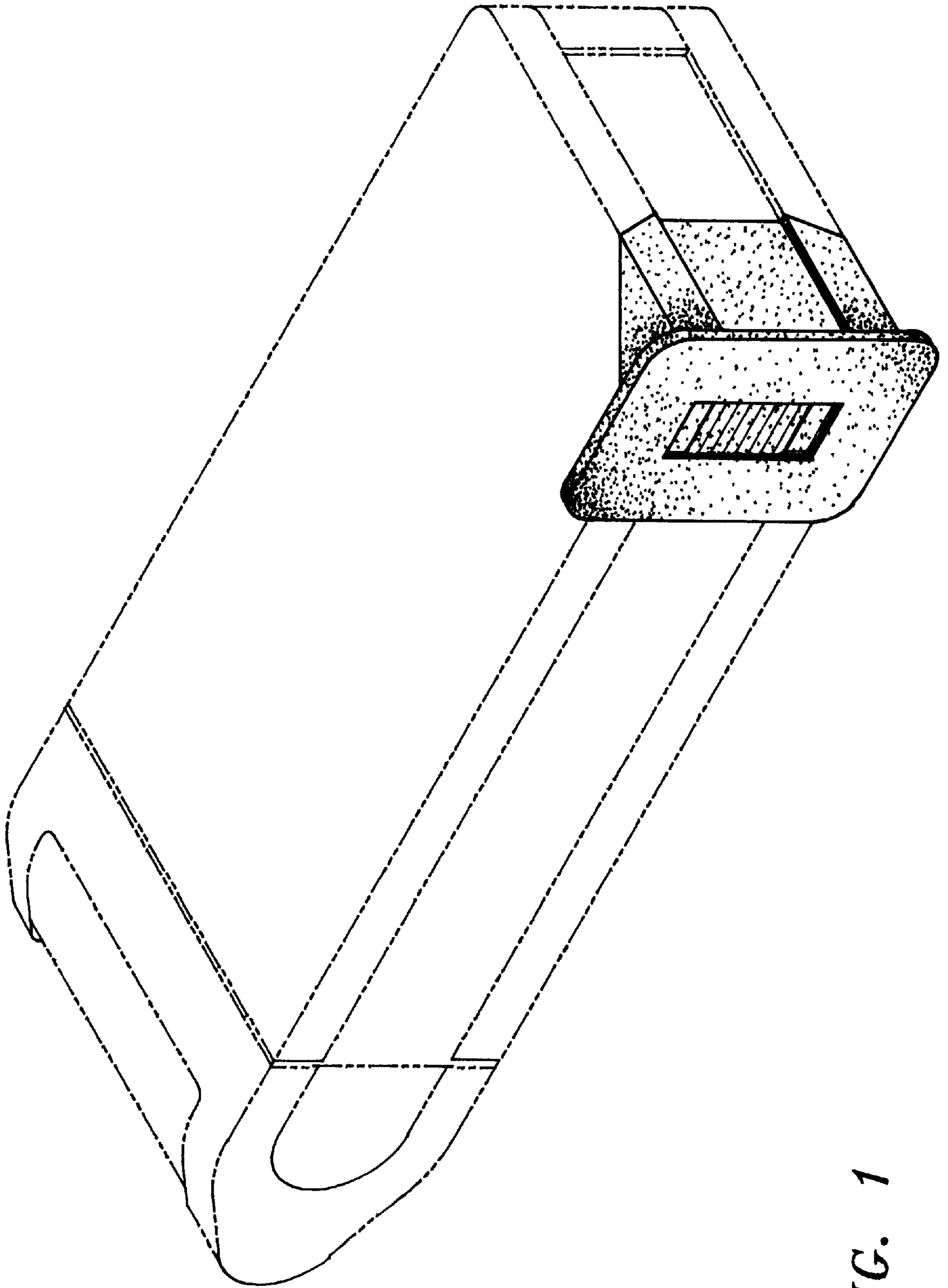


FIG. 1

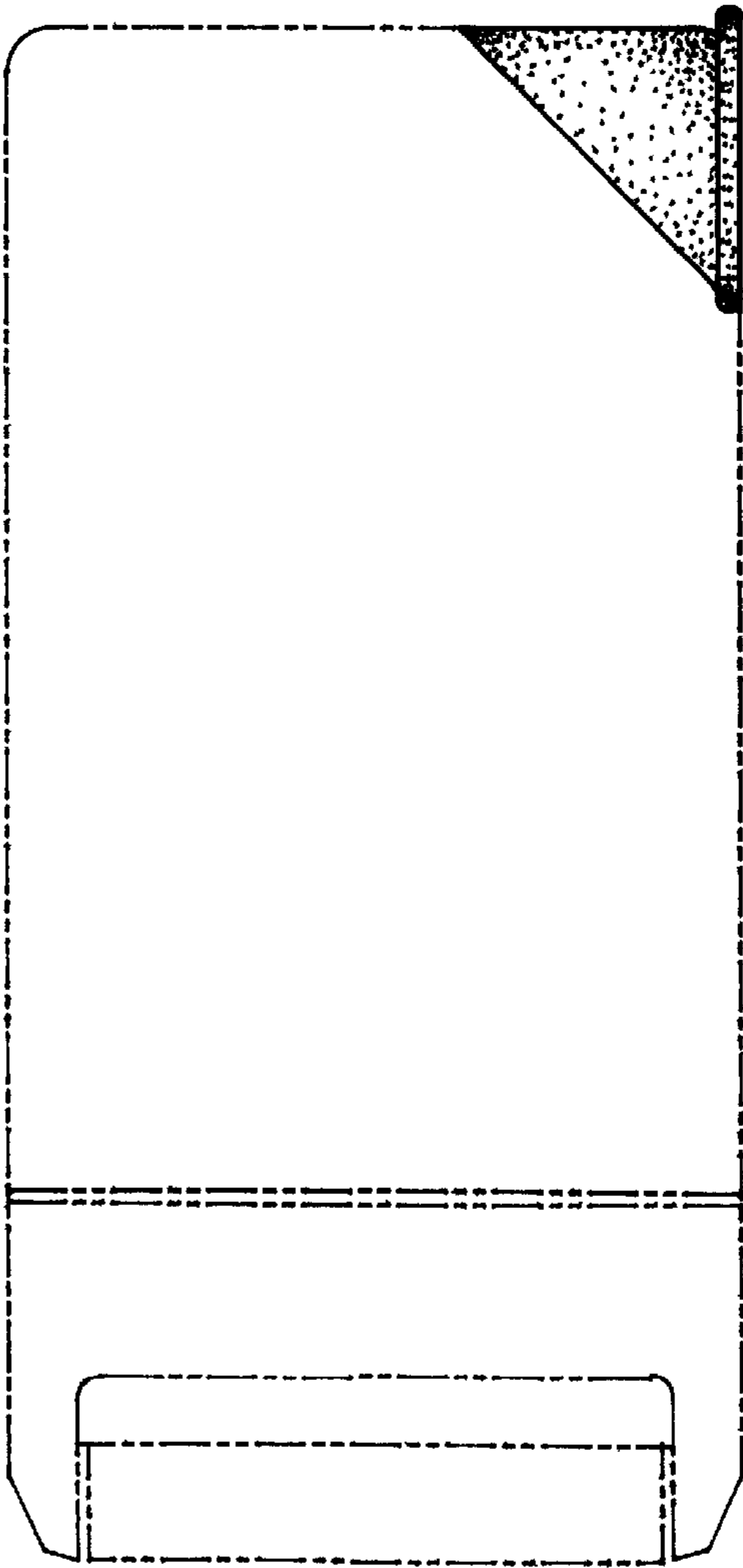


FIG. 2

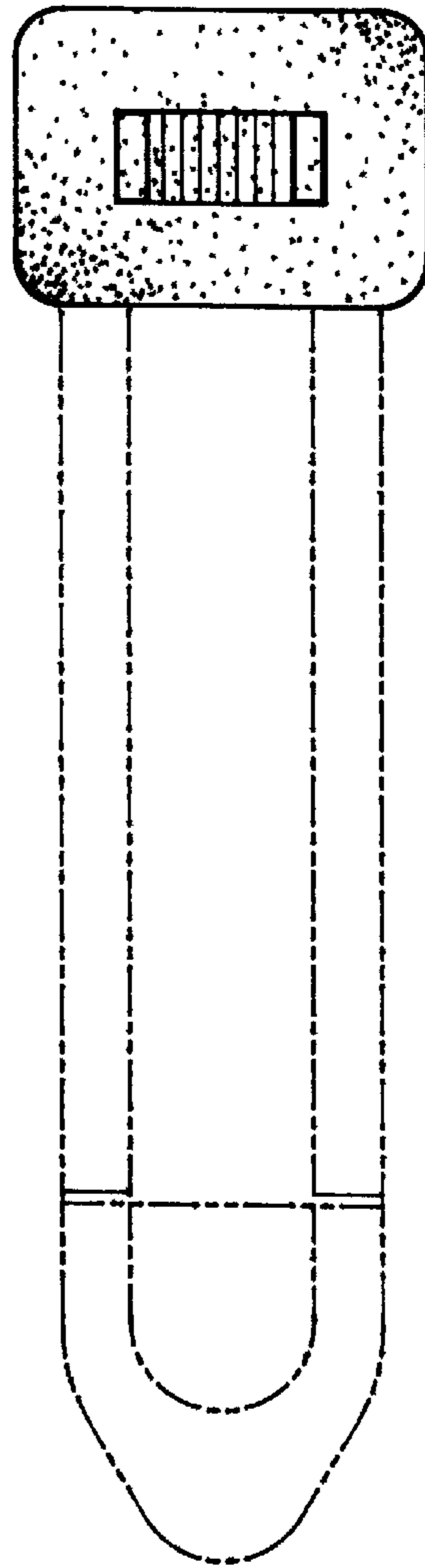


FIG. 3

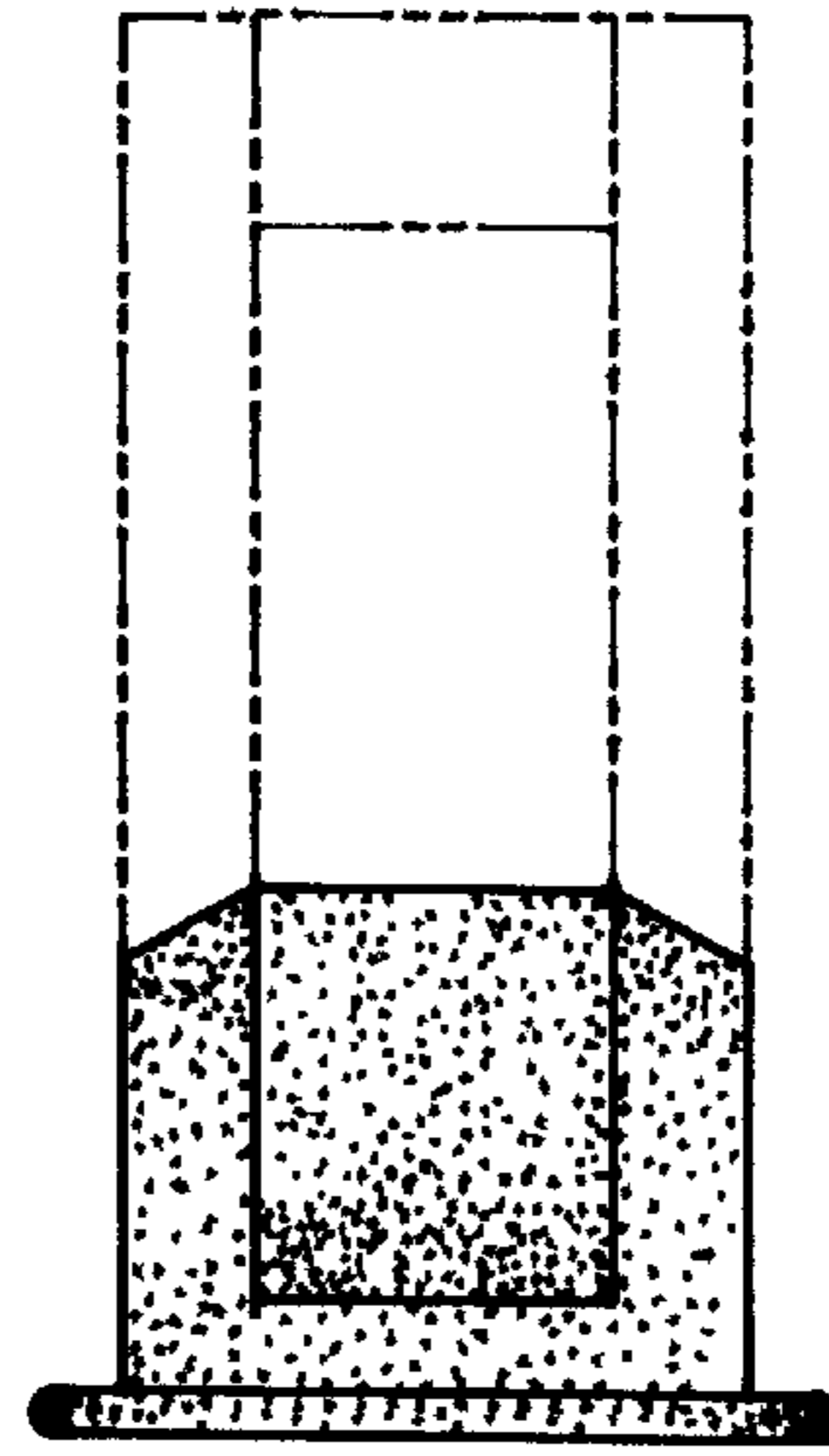


FIG. 4

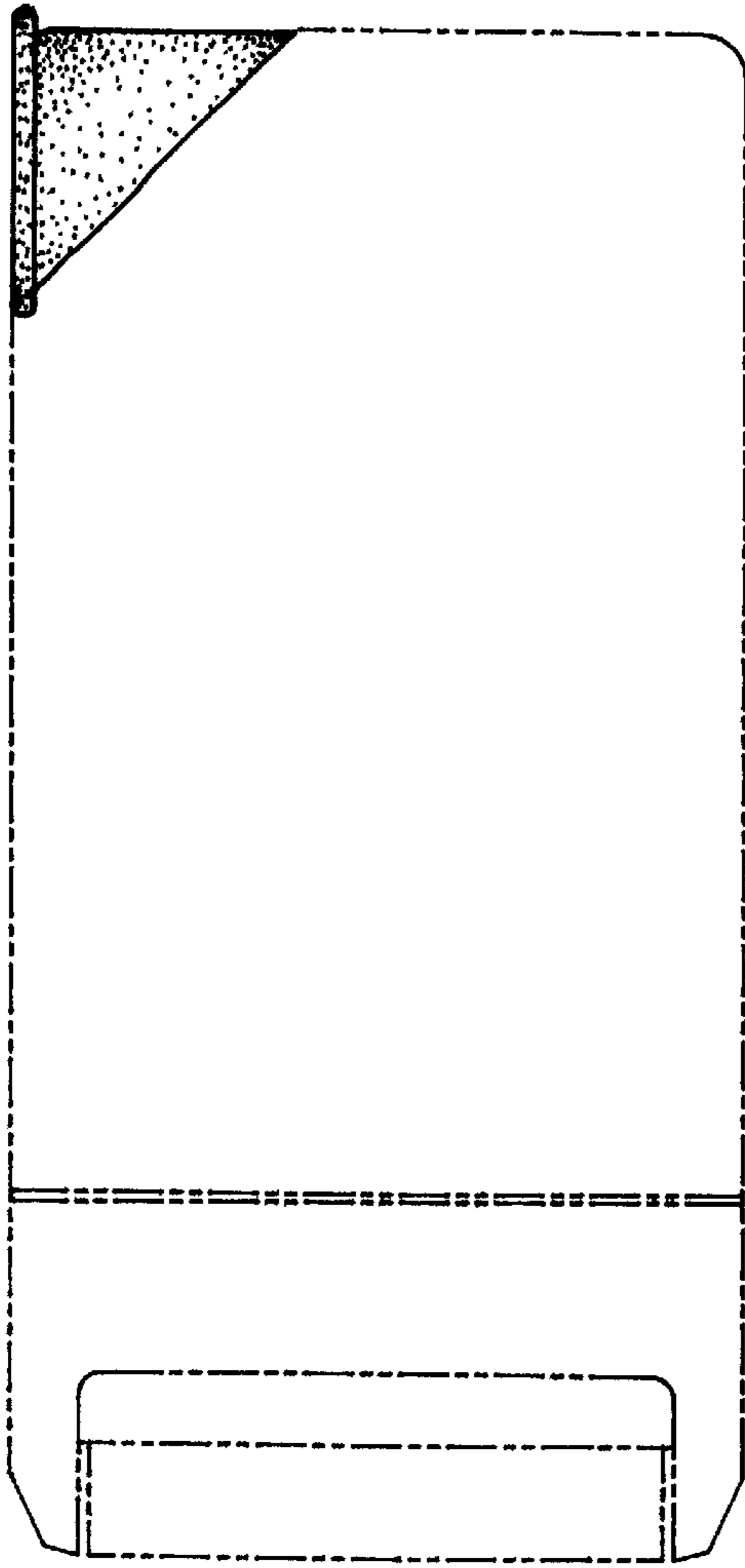


FIG. 5

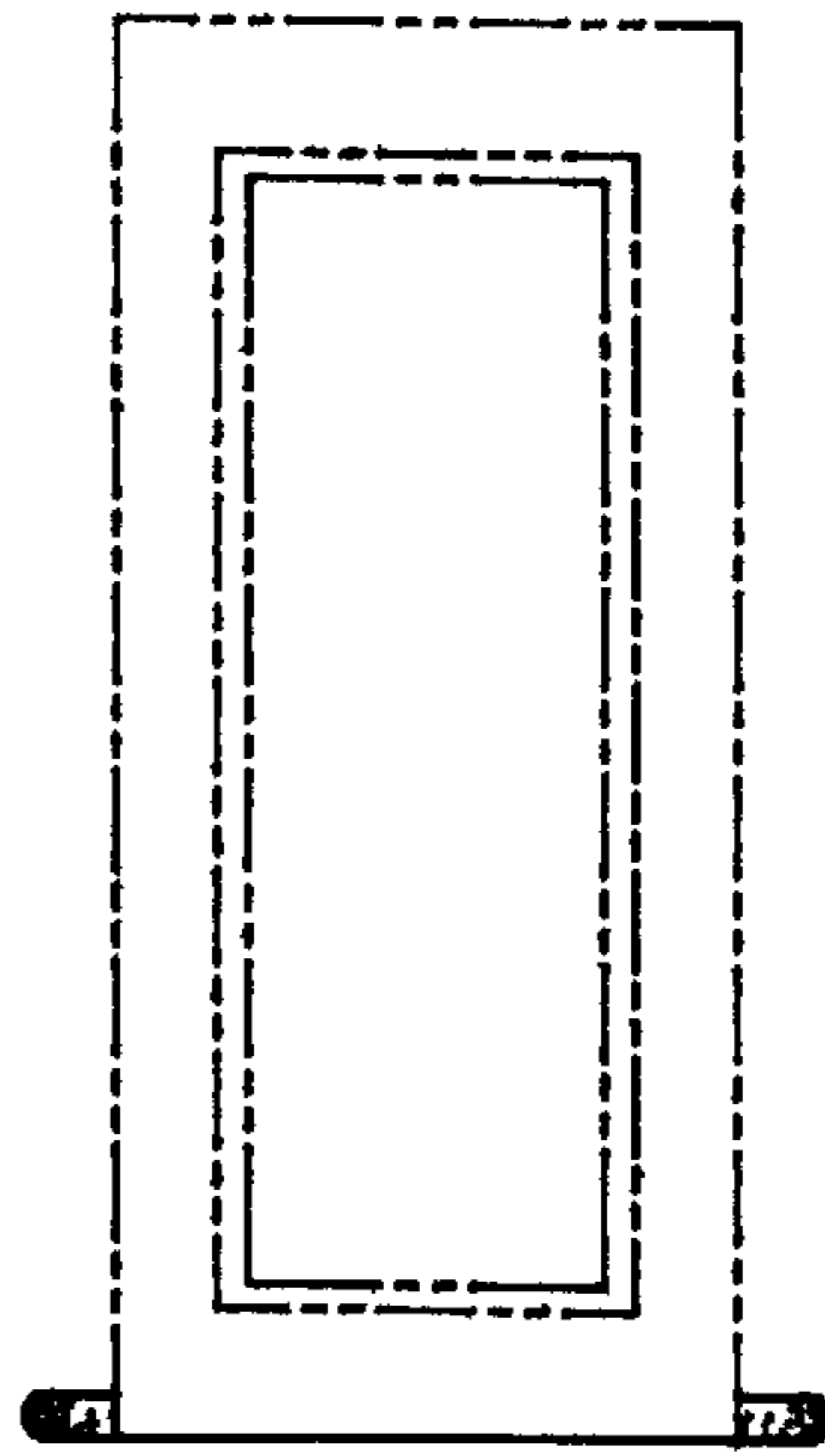


FIG. 6

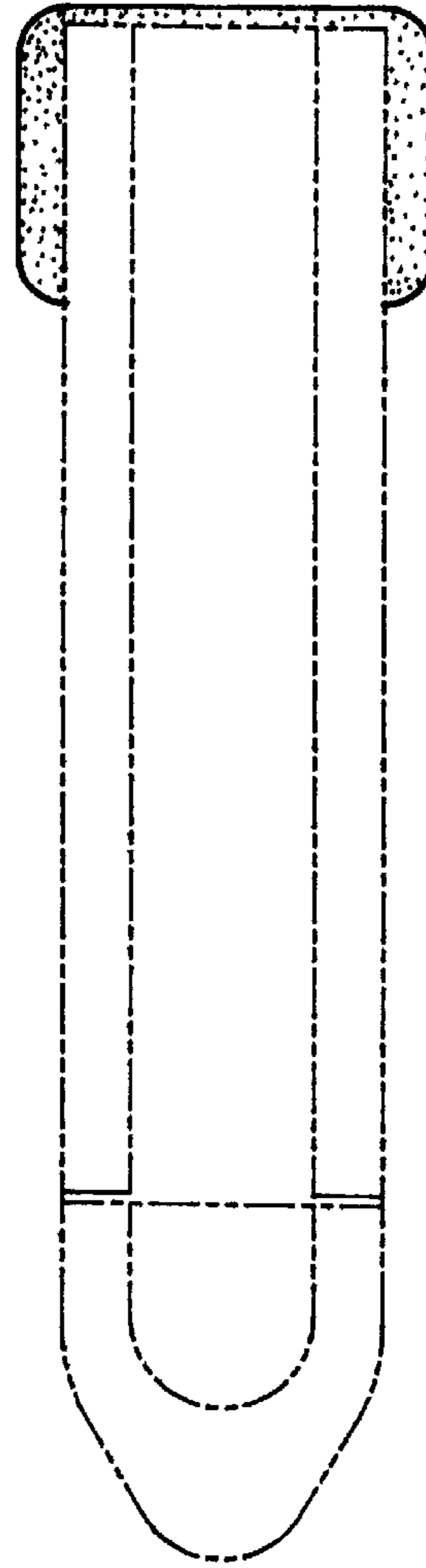


FIG. 7