



US00D431316S

United States Patent [19]
Tickner

[11] **Patent Number: Des. 431,316**
[45] **Date of Patent: ** Sep. 26, 2000**

[54] **INDUSTRIAL LIGHT FIXTURE AND REFLECTOR THEREFOR**

[75] Inventor: **Jerold A. Tickner**, Phoenix, Ariz.

[73] Assignee: **Sportlite, Inc.**, Phoenix, Ariz.

[**] Term: **14 Years**

[21] Appl. No.: **29/088,329**

[22] Filed: **May 19, 1998**

[51] **LOC (7) Cl.** **29-99**

[52] **U.S. Cl.** **D26/118**

[58] **Field of Search** D26/118; 96/147;
362/235, 294, 297, 345, 346, 280, 265,
374, 311

[56] **References Cited**

U.S. PATENT DOCUMENTS

862,397	8/1907	Hruska .	
1,030,910	7/1912	Meyer	362/345
1,160,859	11/1915	Dale .	
1,257,496	2/1918	Lamb .	
1,484,978	2/1924	Wheeler .	
1,654,243	12/1927	Eckschlager .	
1,927,897	9/1933	Moser	240/81
2,055,298	9/1936	Leray	362/346
2,093,165	9/1937	Flood, Jr.	240/78
2,194,431	3/1940	O'Neil	240/103
2,408,669	10/1946	Mattson	240/123
3,310,672	3/1967	Bursell	362/345
3,329,812	7/1967	Harling	362/346
3,643,088	2/1972	Osteen et al.	240/52
3,695,009	10/1972	Osteen	96/147
3,711,702	1/1973	Adra	362/345
3,735,329	5/1973	Funabashi et al.	339/89 R
4,303,971	12/1981	Hogue et al.	362/297
4,347,460	8/1982	Latassa et al.	315/63
4,347,554	8/1982	Matsuashita	362/346
4,367,417	1/1983	Casasanta	307/147
4,410,932	10/1983	Oster	362/345
4,453,203	6/1984	Pate	362/345
4,520,436	5/1985	McNair et al.	362/366
4,595,969	6/1986	McNair	362/217

(List continued on next page.)

FOREIGN PATENT DOCUMENTS

101574	11/1925	Austria .
193493	11/1957	Austria .
1085180	1/1955	France .
710827	8/1941	Germany .
943603	5/1956	Germany .
945777	7/1956	Germany .
4-75204	3/1992	Japan .
8787534	10/1961	United Kingdom .

OTHER PUBLICATIONS

Letter dated Dec. 6, 1995 to Steven G. Lisa from Norman E. Lehrer, marked In re: Intrepid Lighting v. Sportlite, Inc.

Letter dated Dec. 12, 1995 to Steven G. Lisa from Norman E. Lehrer, marked In re: Intrepid Lighting v. Sportlite, Inc.

Primary Examiner—Freda Nunn
Attorney, Agent, or Firm—Steven G. Lisa; William J. Hallihan; Douglas W. Rudy

[57] **CLAIM**

The ornamental design for an industrial light fixture and reflector therefor, as shown and described.

DESCRIPTION

FIG. 1 is a bottom view of an industrial light fixture and reflector therefor of the present invention;

FIG. 2 is a side view of the embodiment shown in FIG. 1;

FIG. 3 is a top perspective view of the embodiment shown in FIG. 1;

FIG. 4 is a bottom perspective view of the embodiment shown in FIG. 1;

FIG. 5 is a bottom view of the reflector shown in FIG. 1 shown separately for clarity of illustration only;

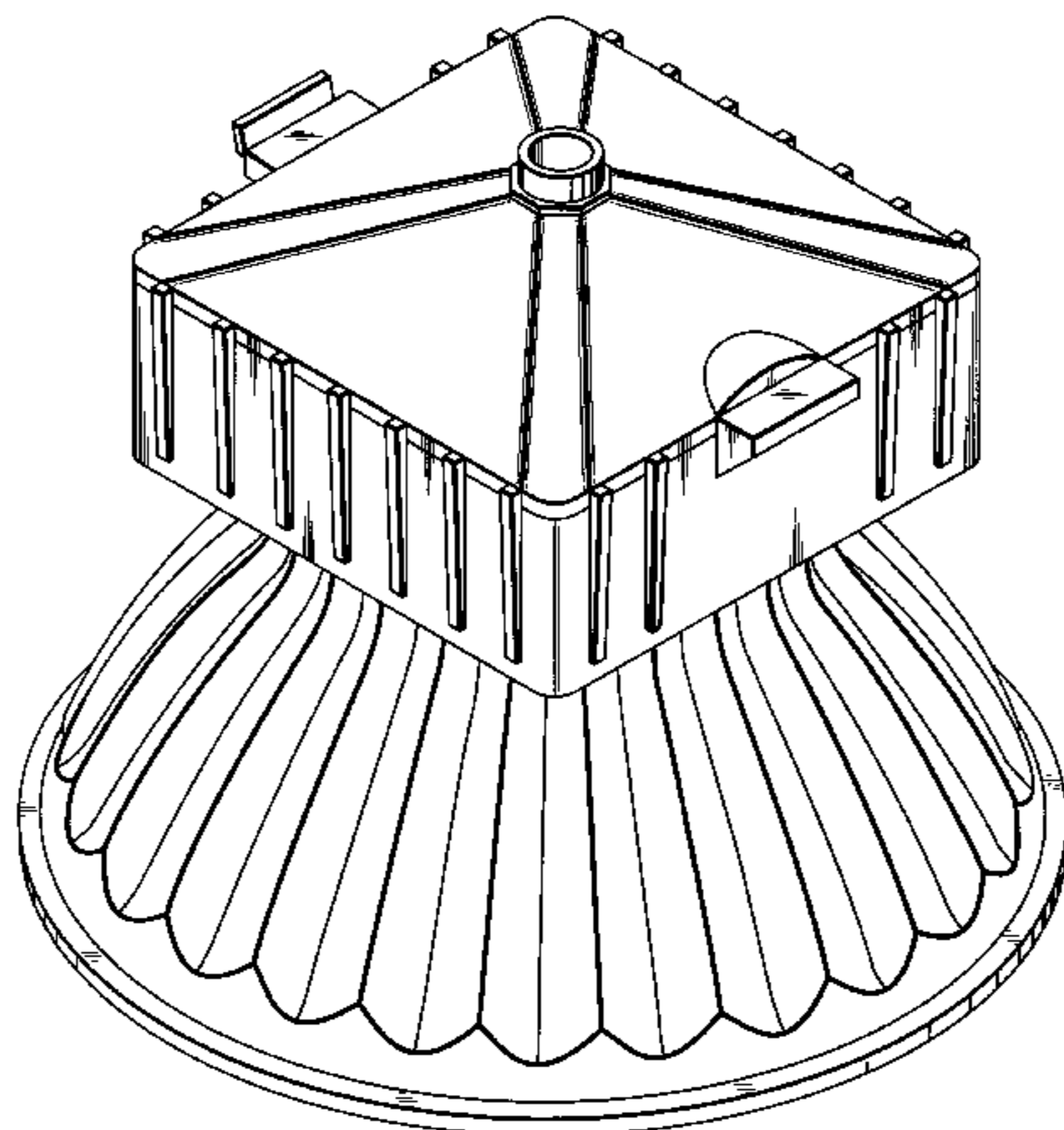
FIG. 6 is a side view of the reflector shown in FIG. 1;

FIG. 7 is a top perspective view of the reflector shown in FIG. 1.

FIG. 8 is a side view of an alternative embodiment of the invention, which embodiment has a bottom view like that shown in FIG. 1.

The Broken lines are for purposes of illustration only and form no part of the claimed design.

1 Claim, 7 Drawing Sheets



Des. 431,316

Page 2

U.S. PATENT DOCUMENTS

4,704,664	11/1987	McNair	362/225	5,113,320	5/1992	Haydu	362/61
4,750,096	6/1988	Lim	362/294	5,183,328	2/1993	Osteen	362/294
4,802,073	1/1989	Plumly	362/251	5,197,798	3/1993	Tickner	362/235
4,885,668	12/1989	Maglica et al.	362/345	5,278,745	1/1994	Kelly et al.	362/374
4,922,393	5/1990	McNair	362/225	5,355,290	10/1994	Tickner	362/294
				5,377,086	12/1994	Tickner	362/235

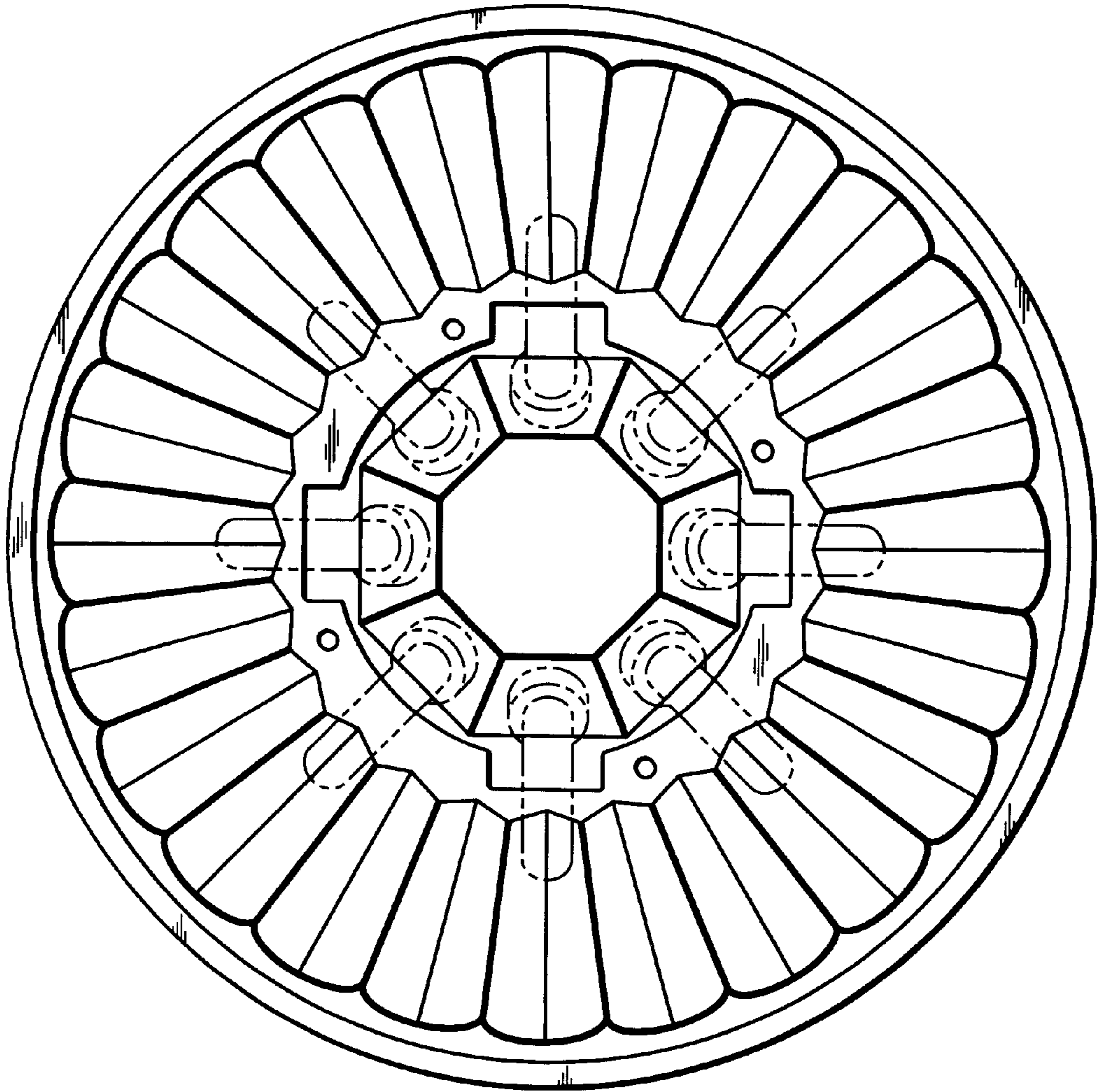


FIG. 1

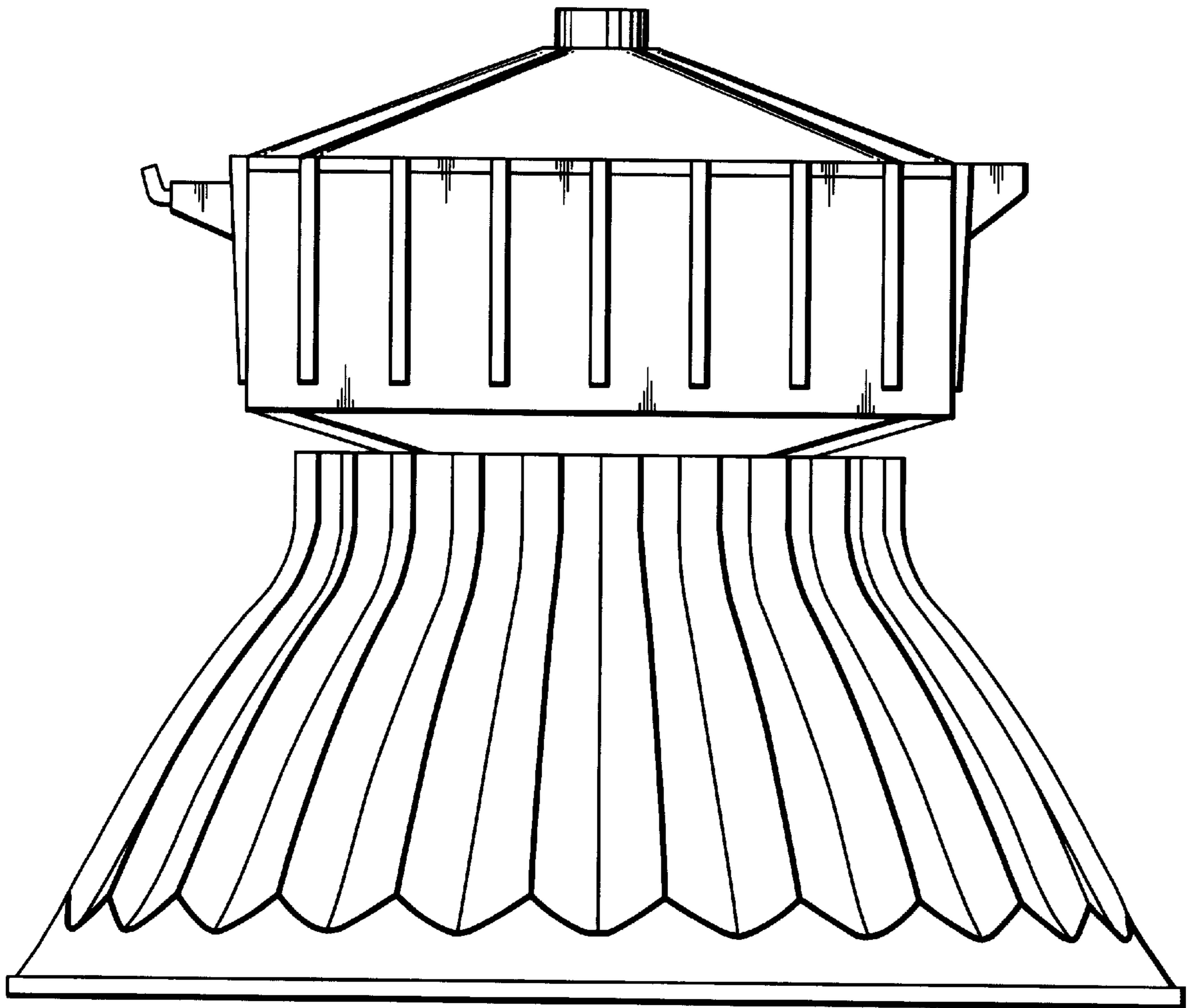


FIG. 2

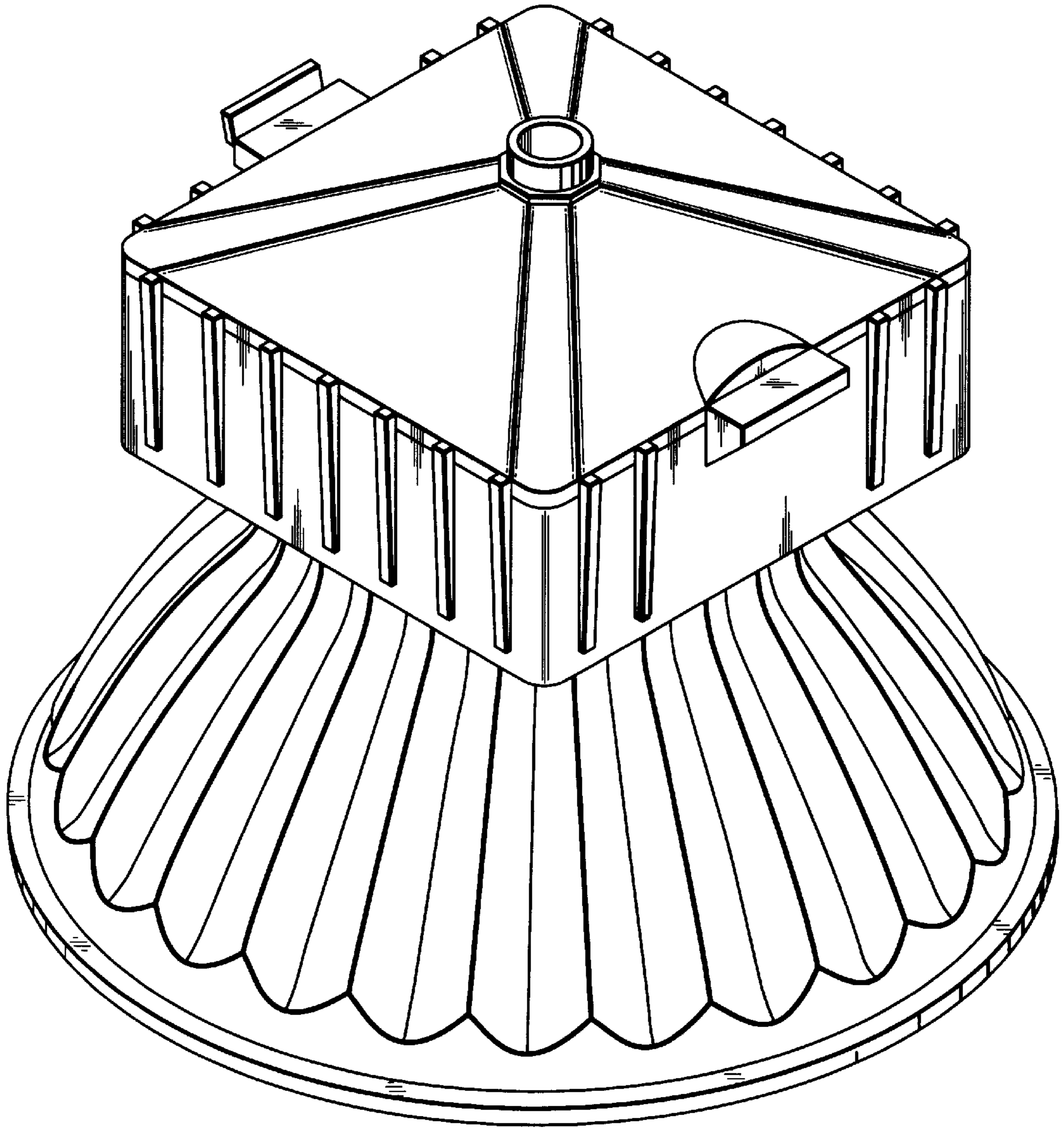


FIG. 3

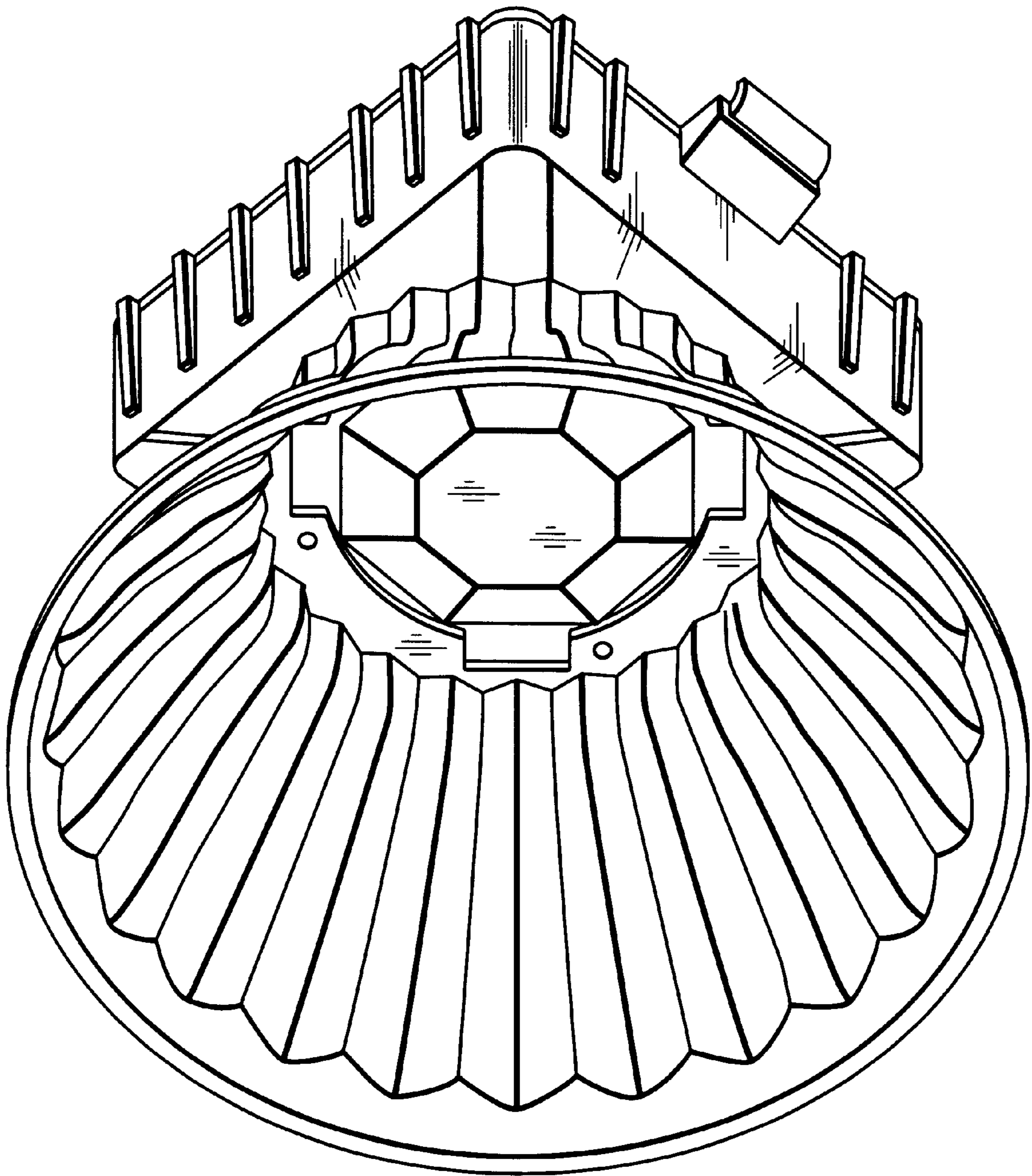


FIG. 4

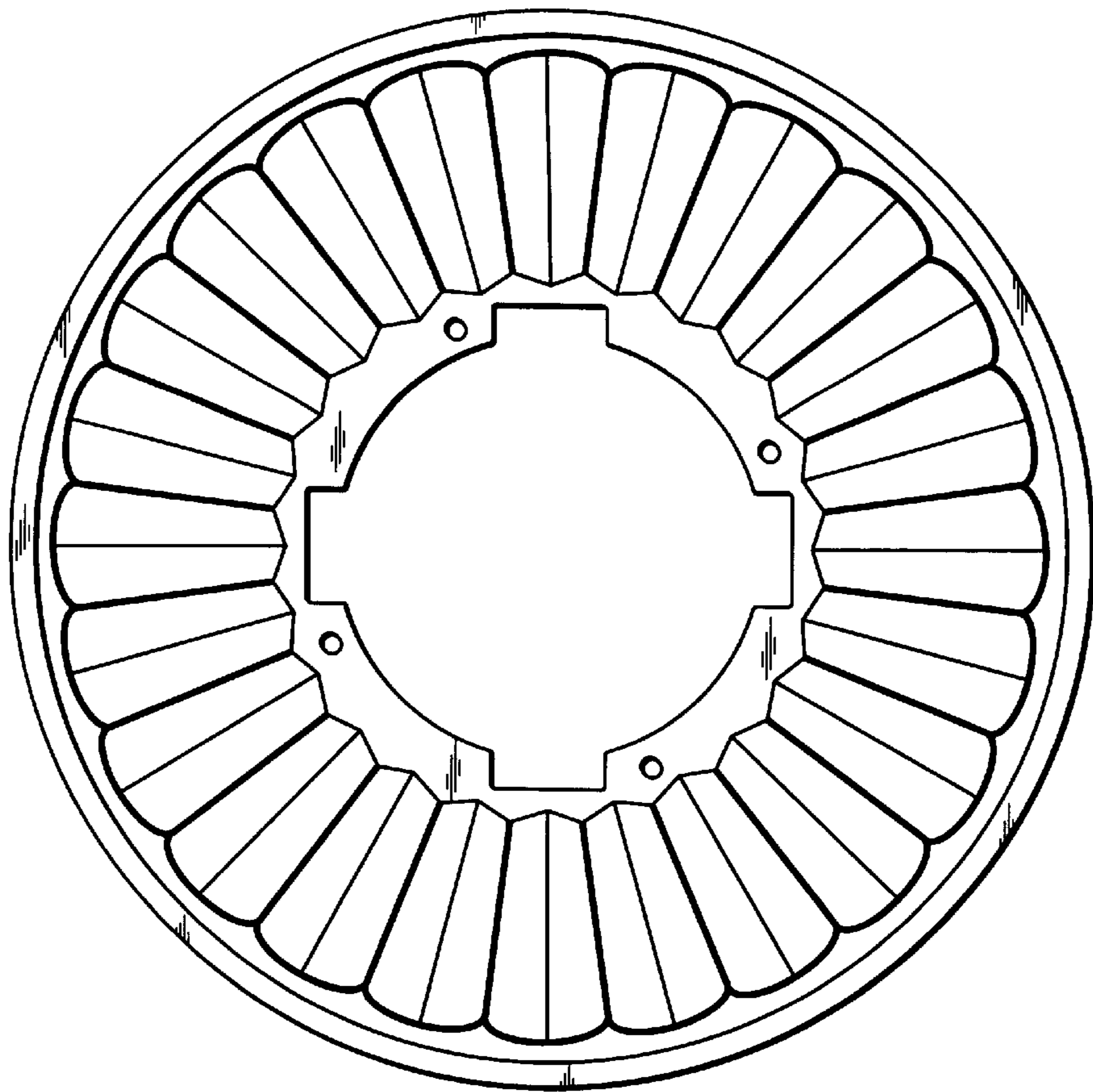


FIG. 5

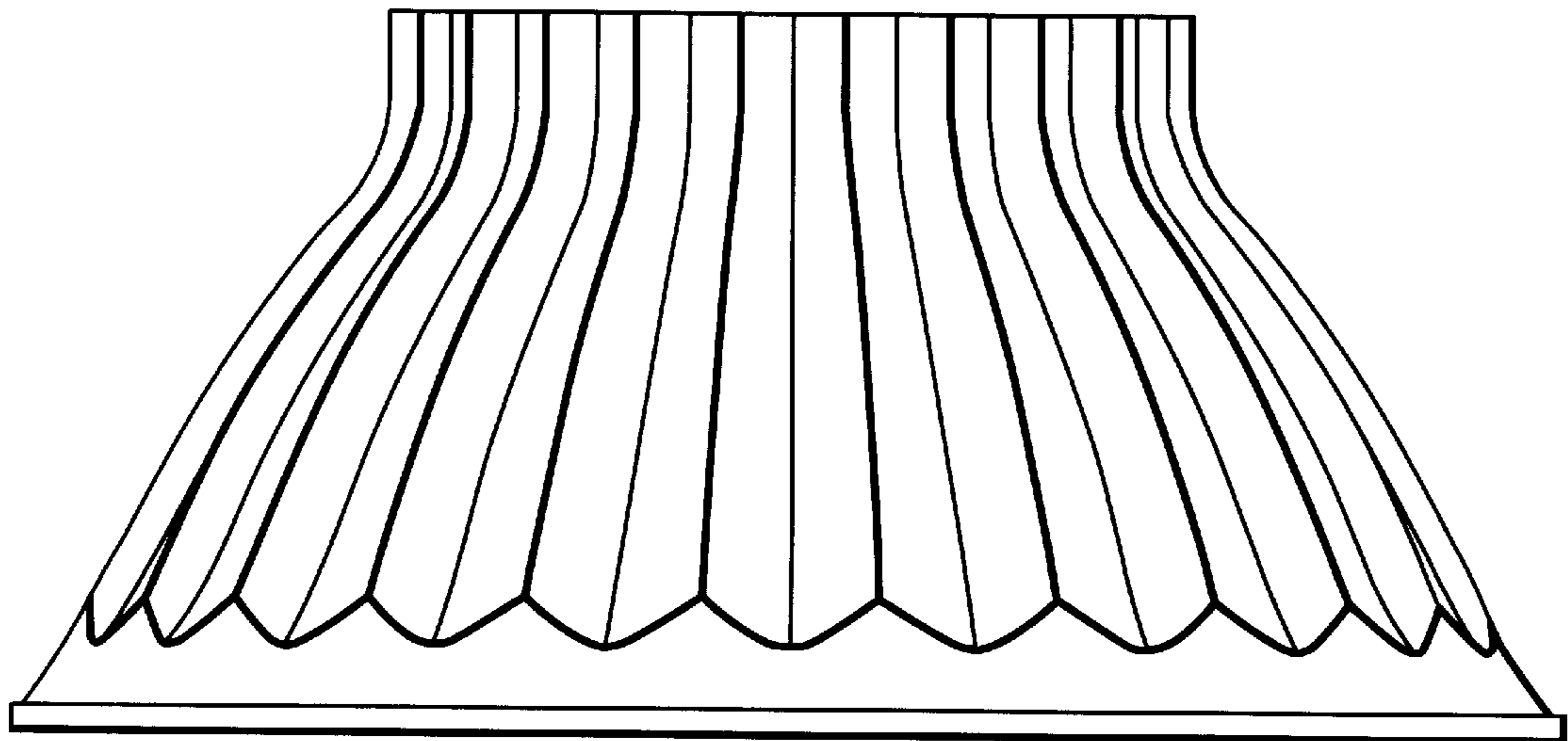


FIG. 6

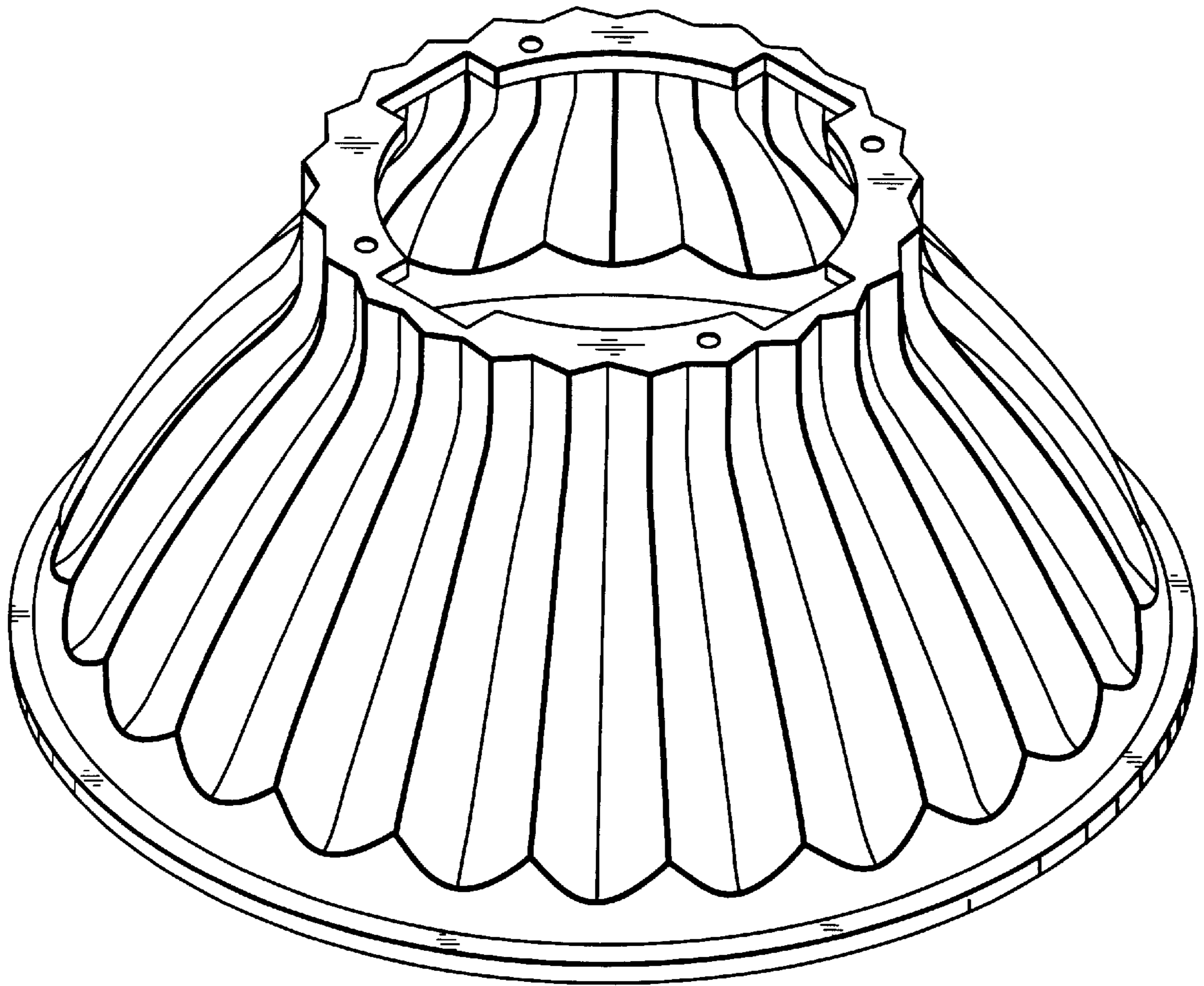


FIG. 7

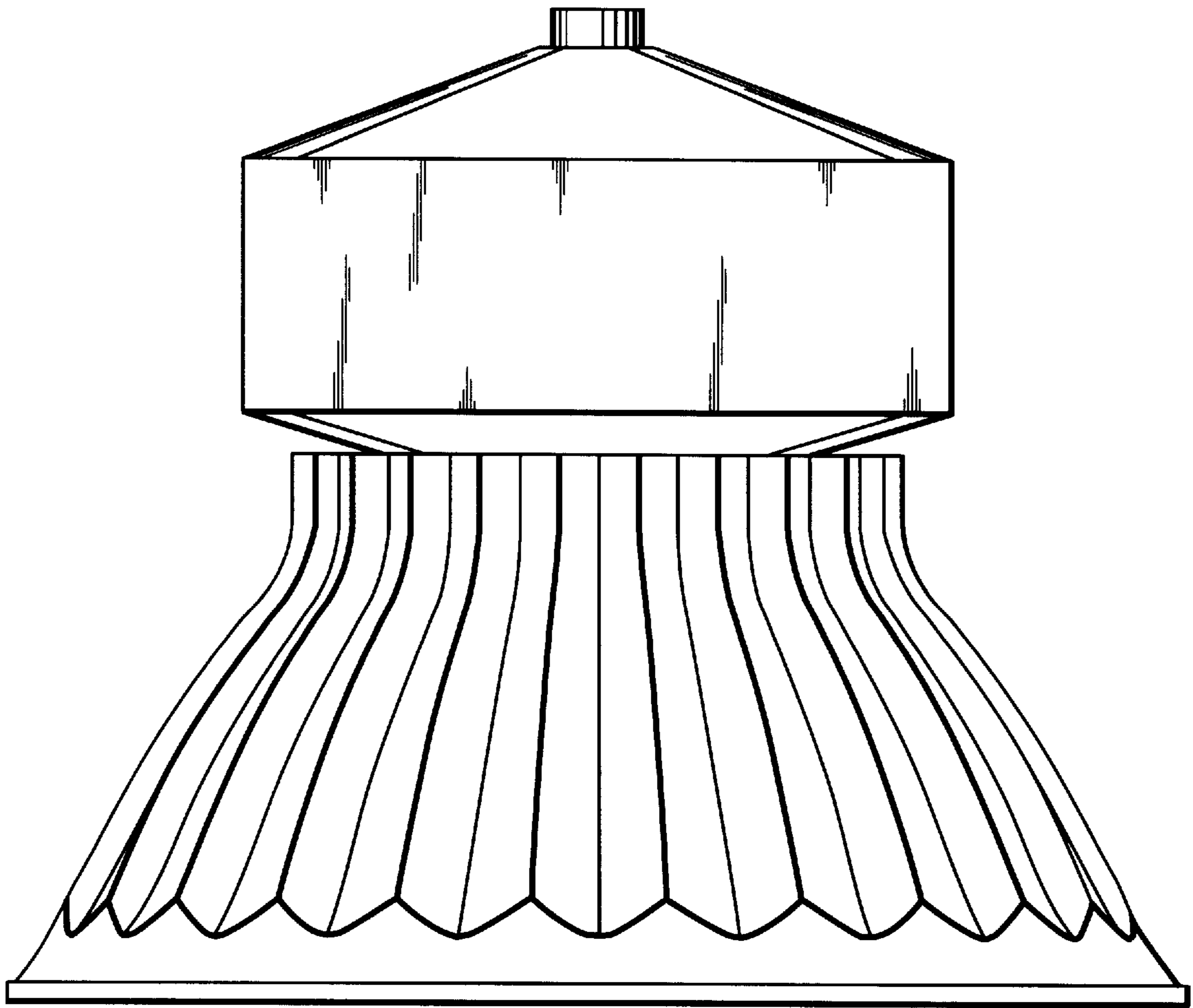


FIG. 8