



US00D431311S

# United States Patent [19]

[11] **Patent Number: Des. 431,311**

**Dolan**

[45] **Date of Patent: \*\* Sep. 26, 2000**

[54] **CHANDELIER**

[76] Inventor: **Patrick S. Dolan**, 1901 NW. Upshur, Portland, Oreg. 97209

[\*\*] Term: **14 Years**

[21] Appl. No.: **29/116,540**

[22] Filed: **Jan. 4, 2000**

[51] **LOC (7) Cl. .... 26-05**

[52] **U.S. Cl. .... D26/84**

[58] **Field of Search ..... D26/72, 80-92; 362/404-408, 147**

Framburg Bellwood, IL Catalog 2000 p. 58, Model 8026.  
Progress Spartanburg, SC 29303 Catalog 123 11995 p. 73, Model P3736-10.  
Framburg Bellwood IL Catalog 2000 p. 70 Model 8408.  
Elk Ltg. Coaldale, PA Sup. No. 9707, 1997 p. 4, Model 1627.  
Illuminating Experiences, Inc. Highland Park, NJ Catalog 1998 p. 23, Model 1918.  
Dolan Designs lighting catalog, 1995, p. 6, chandelier.  
Home Lighting and Accessories, Mar. 1995, p. 75.

*Primary Examiner*—Susan J. Lucas

## [57] **CLAIM**

The ornamental design for a chandelier, as shown and described.

## [56] **References Cited**

### U.S. PATENT DOCUMENTS

D. 404,162 1/1999 Dolan ..... D26/84  
D. 408,096 4/1999 Dolan ..... D26/84

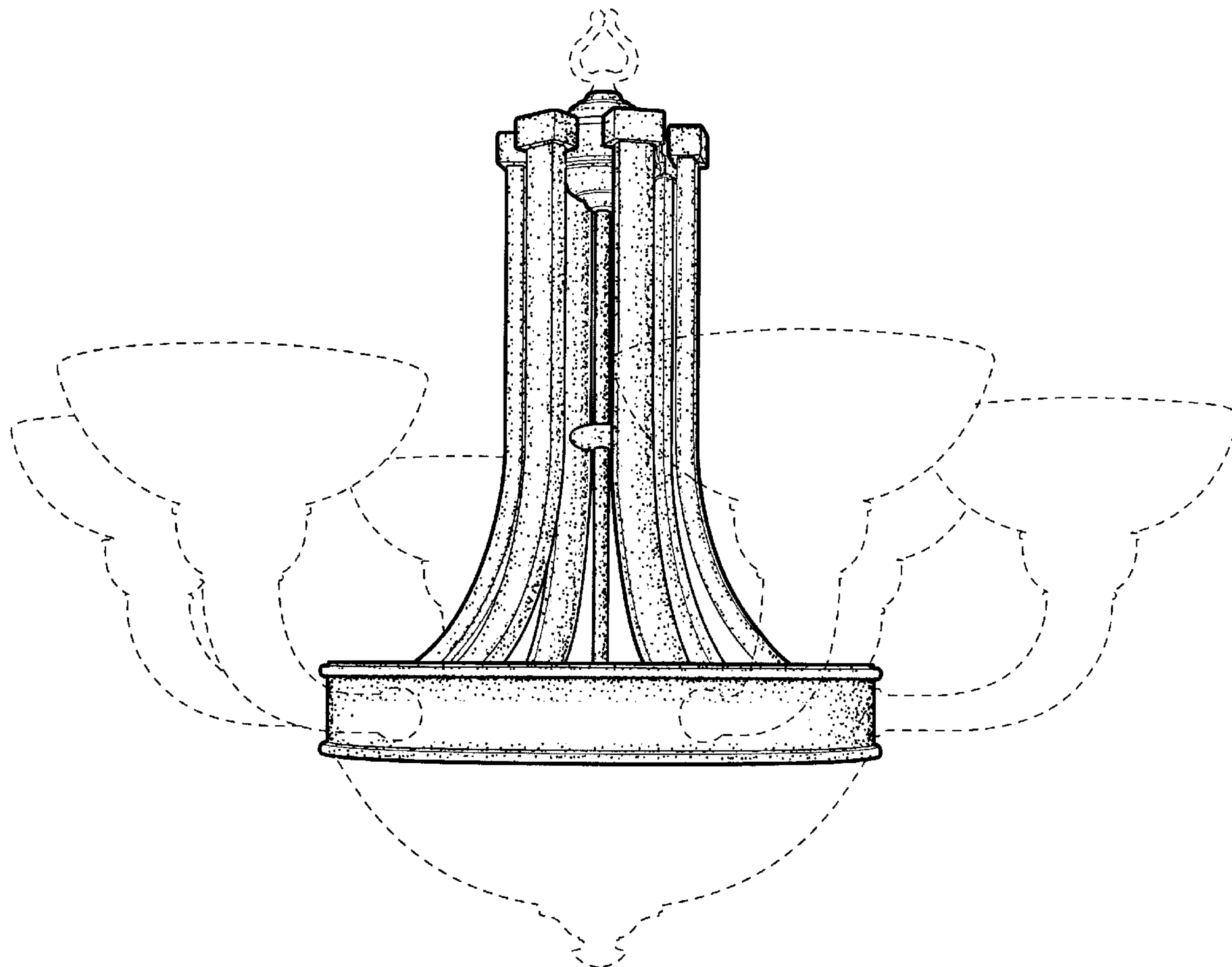
### OTHER PUBLICATIONS

Van Teal Miami, FL Home Lighting Mag. Mar. 2000 p. 69.  
Quoizel Goose Creek, SC Catalog 2000 p. 31, Model C01379SV.  
Kalco Las Vegas, NV Catalog X00-1, 2000 p. 16, Model 3477.

## **DESCRIPTION**

FIG. 1 is a perspective view thereof;  
FIG. 2 is a front elevational view thereof;  
FIG. 3 is a top plan view thereof; and,  
FIG. 4 is a bottom plan view thereof.  
The broken lines shown in the drawing are environmental only and form no part of the claimed design.

**1 Claim, 4 Drawing Sheets**



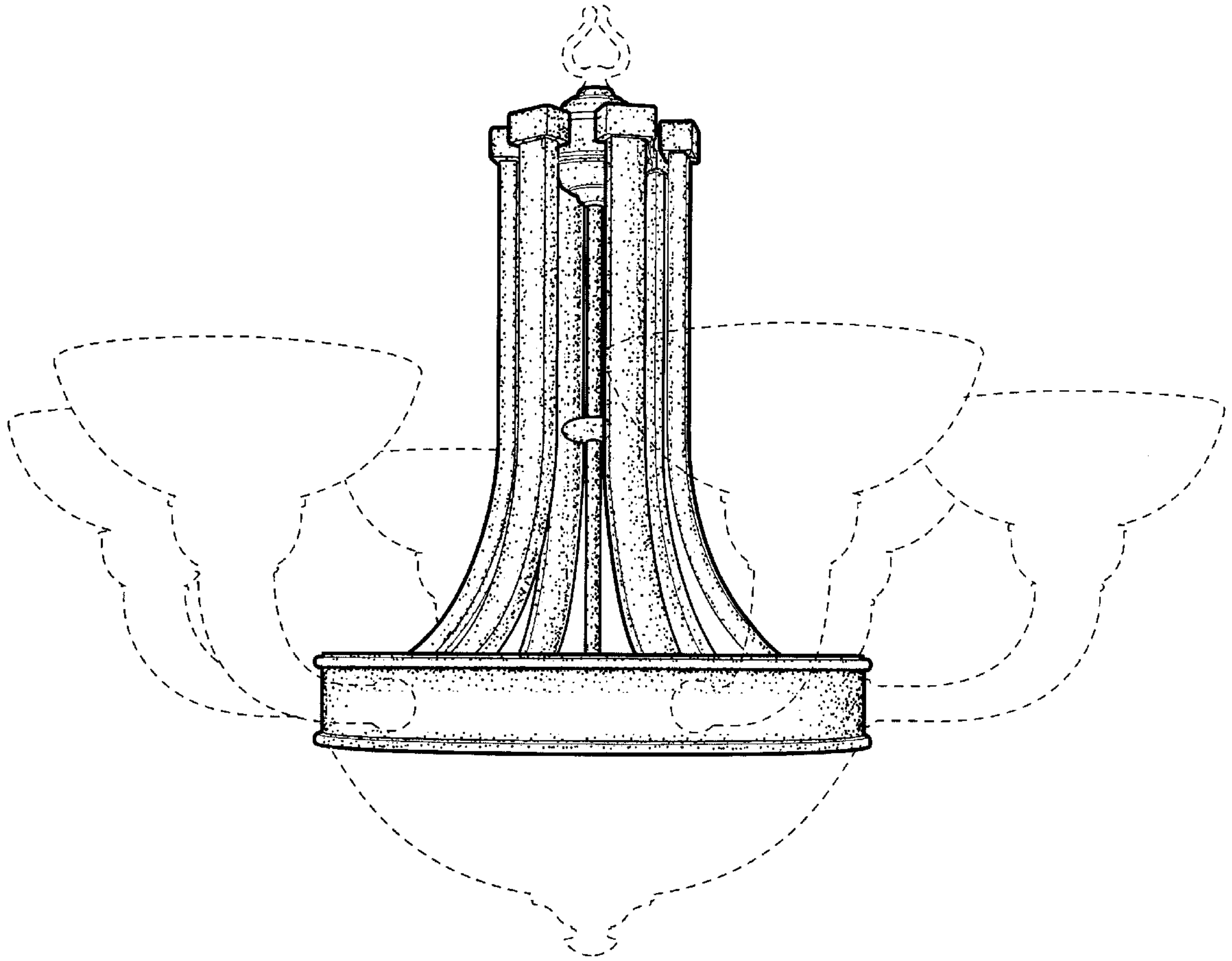


FIG. 1

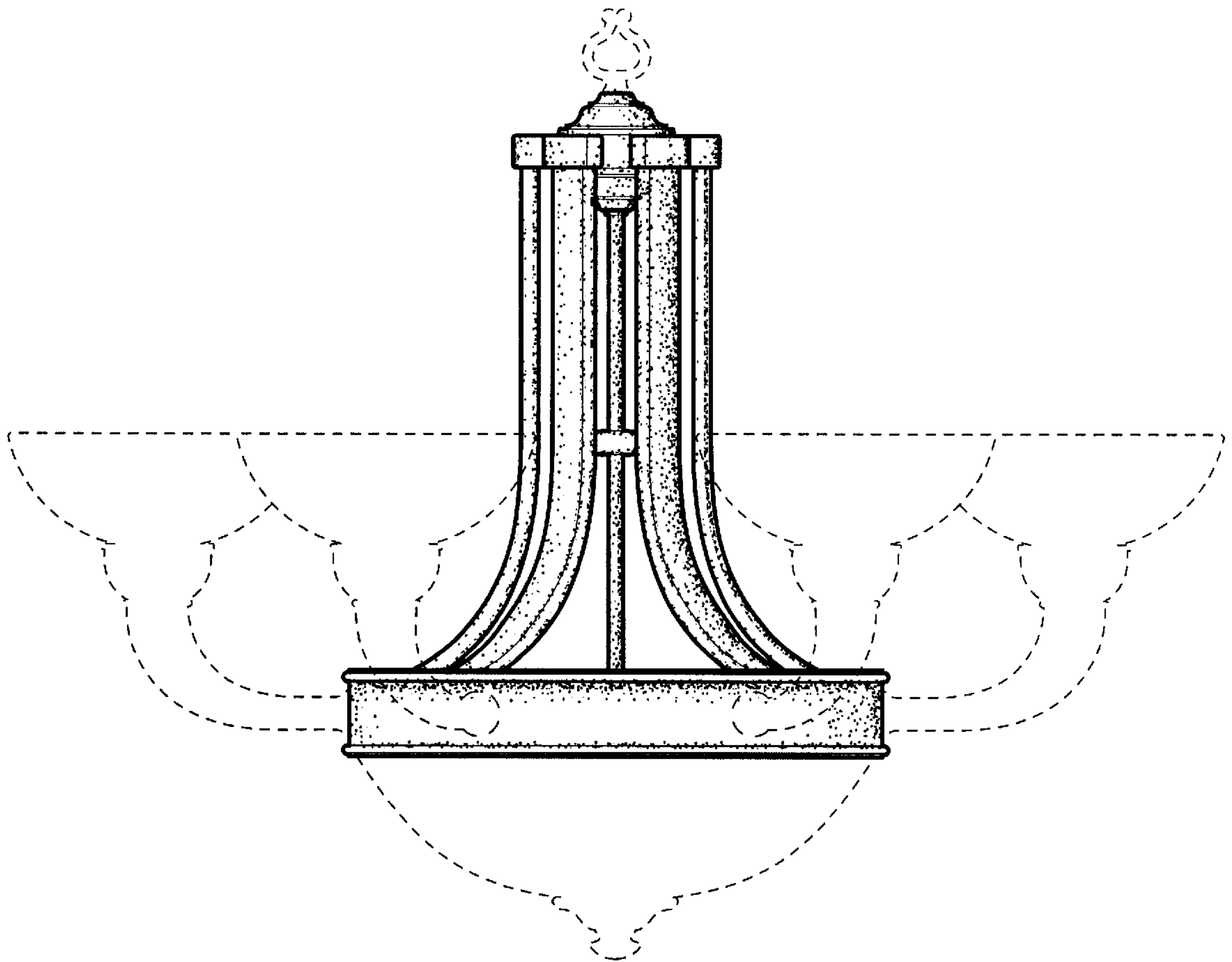


FIG. 2

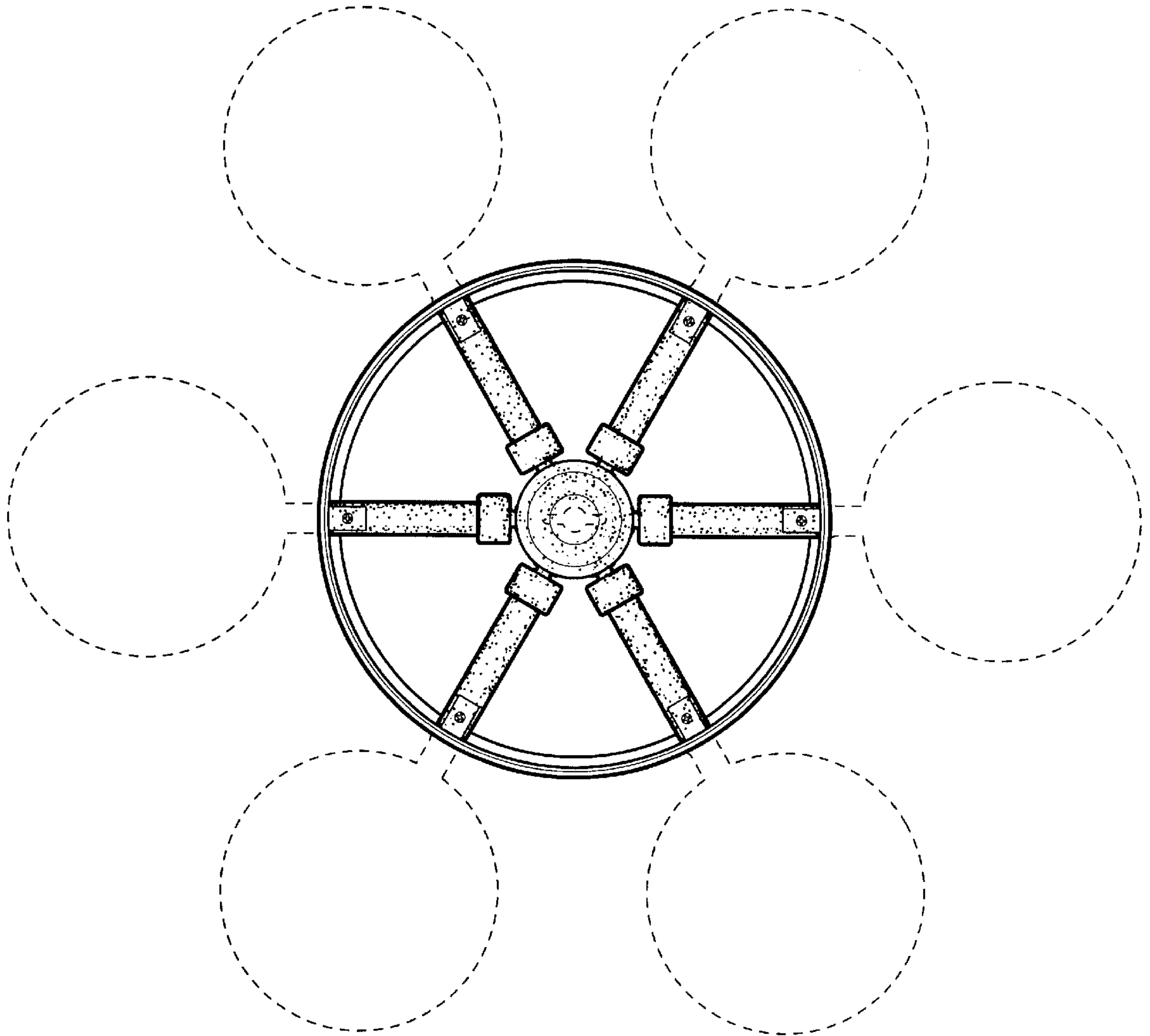


FIG. 3

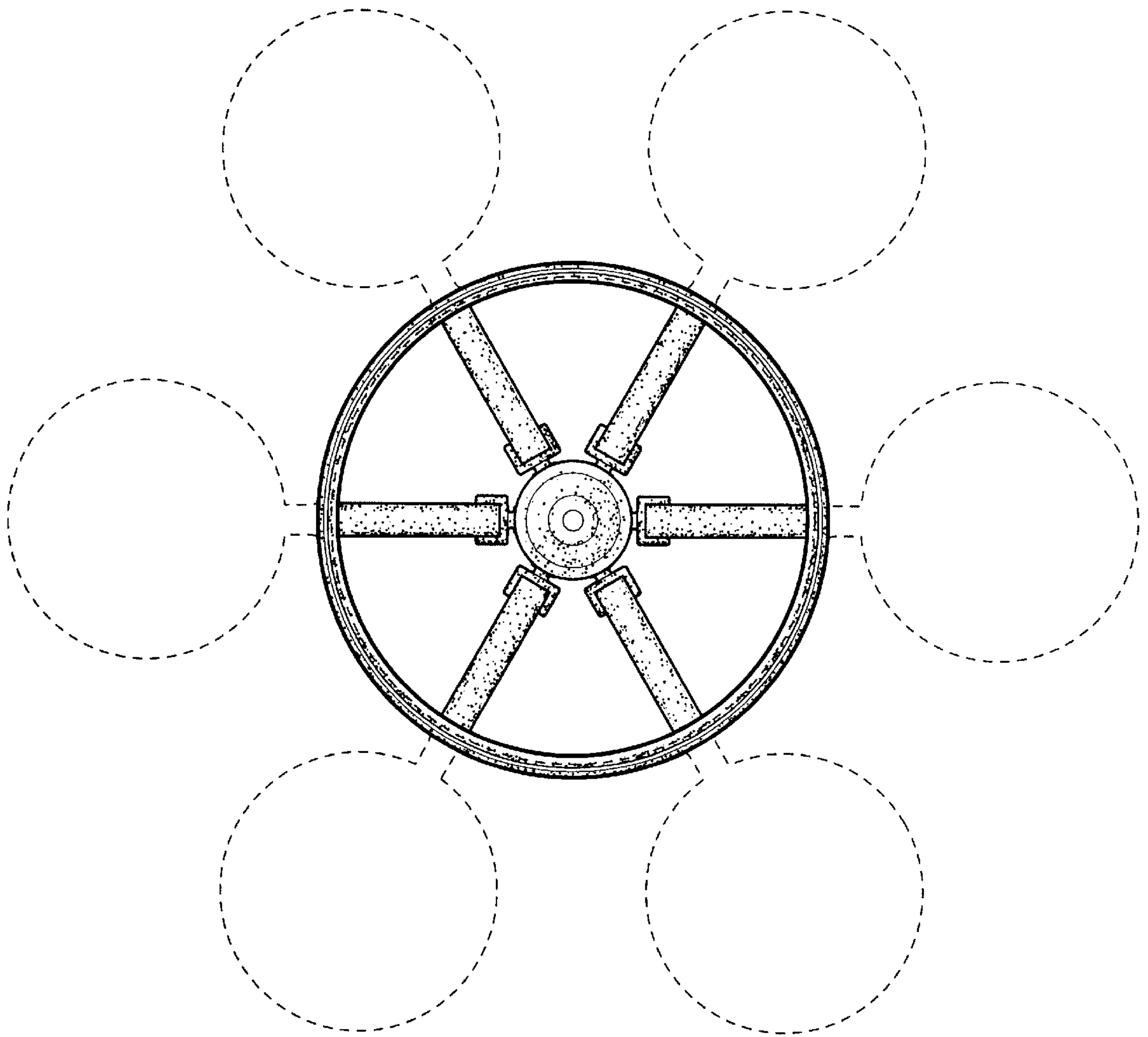


FIG. 4