



US00D431309S

**United States Patent** [19]  
**Hsieh**

[11] **Patent Number: Des. 431,309**

[45] **Date of Patent: \*\* Sep. 26, 2000**

[54] **PENDENT LAMP**

[76] Inventor: **Freda Hsieh**, No. 2, Ning Hsia East  
2nd Street, Taichung, Taiwan

[\*\*] Term: **14 Years**

[21] Appl. No.: **29/103,659**

[22] Filed: **Apr. 20, 1999**

[51] **LOC (7) Cl.** ..... **26-05**

[52] **U.S. Cl.** ..... **D26/84**

[58] **Field of Search** ..... D26/72, 80-92;  
362/404-408, 147

[56] **References Cited**

**PUBLICATIONS**

Kichler Lighting catalog, 1990, p. 42, chandelier #K-1721.  
Qouizel lighting catalog, 1997, p. 71, chandelier, bottom  
right.

*Primary Examiner*—Susan J. Lucas  
*Attorney, Agent, or Firm*—Rosenberg, Klein & Lee

[57] **CLAIM**

The ornamental design for a pendent lamp, as shown and  
described.

**DESCRIPTION**

FIG. 1 is a perspective view of pendent lamp showing my  
new design;

FIG. 2 is a front elevation view thereof;

FIG. 3 is a rear elevation view thereof;

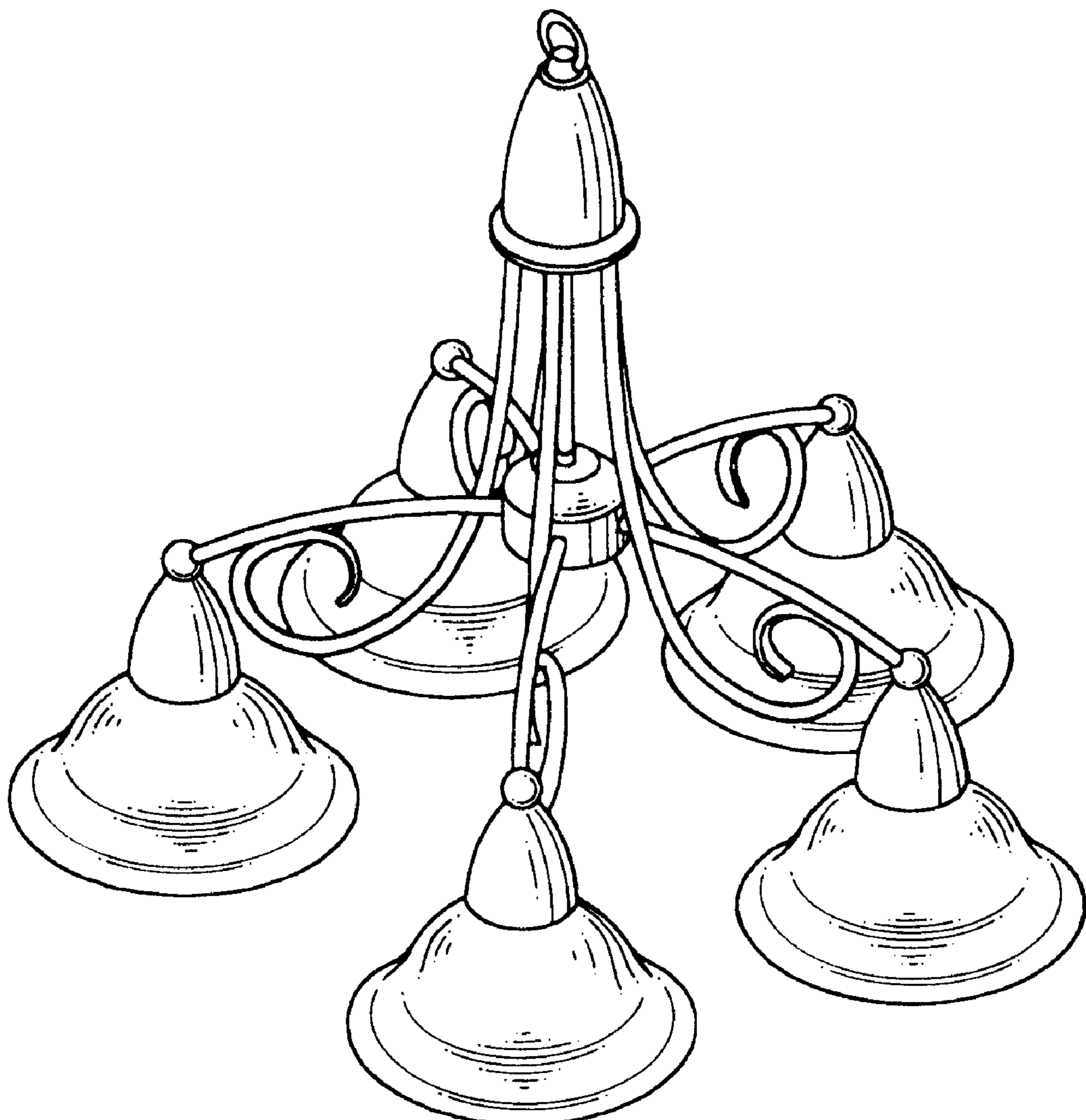
FIG. 4 is a left side elevation view thereof;

FIG. 5 is a right side elevation view thereof;

FIG. 6 is a top plan view thereof; and,

FIG. 7 is a bottom plan view thereof.

**1 Claim, 4 Drawing Sheets**



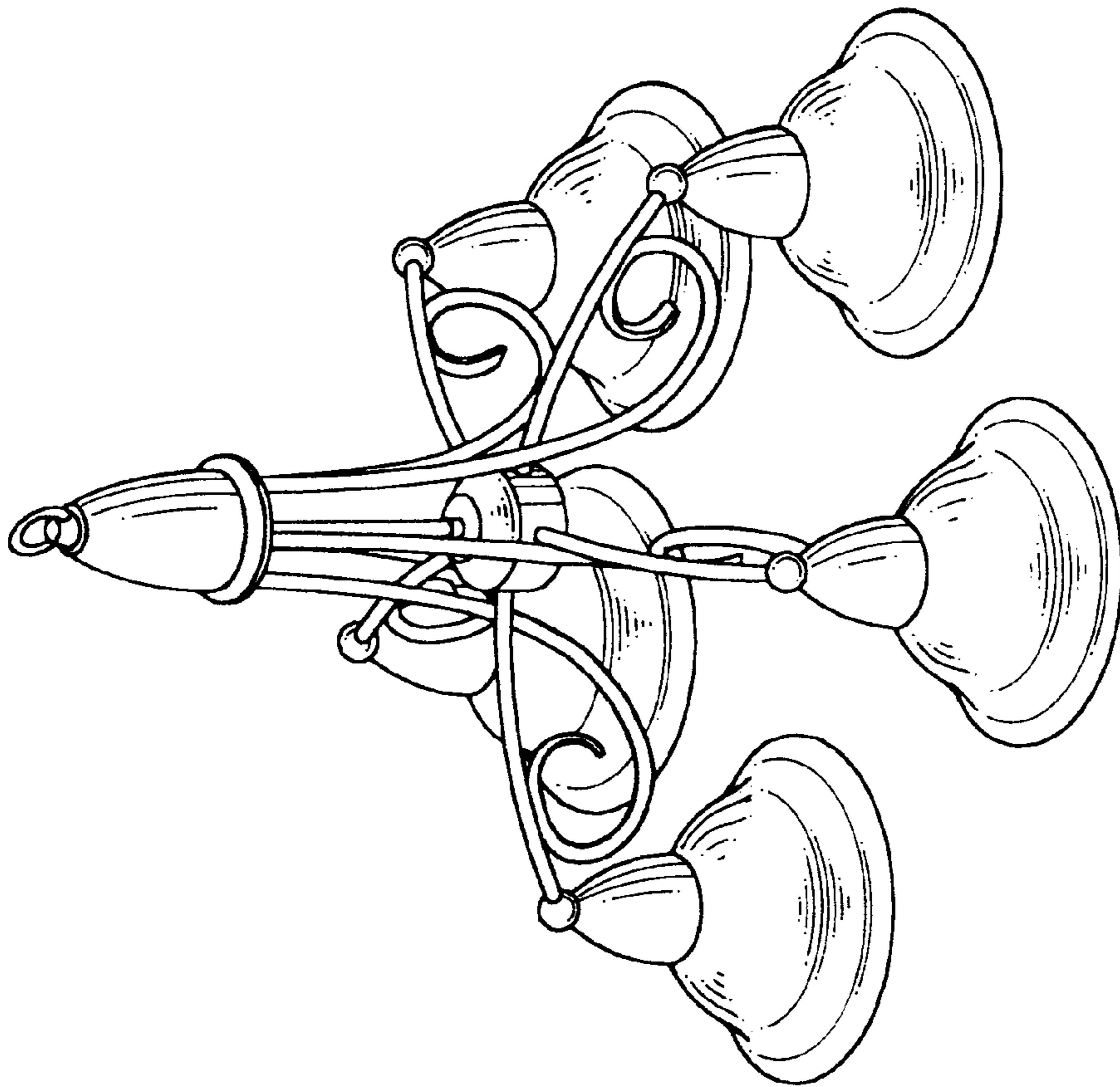


FIG. 1

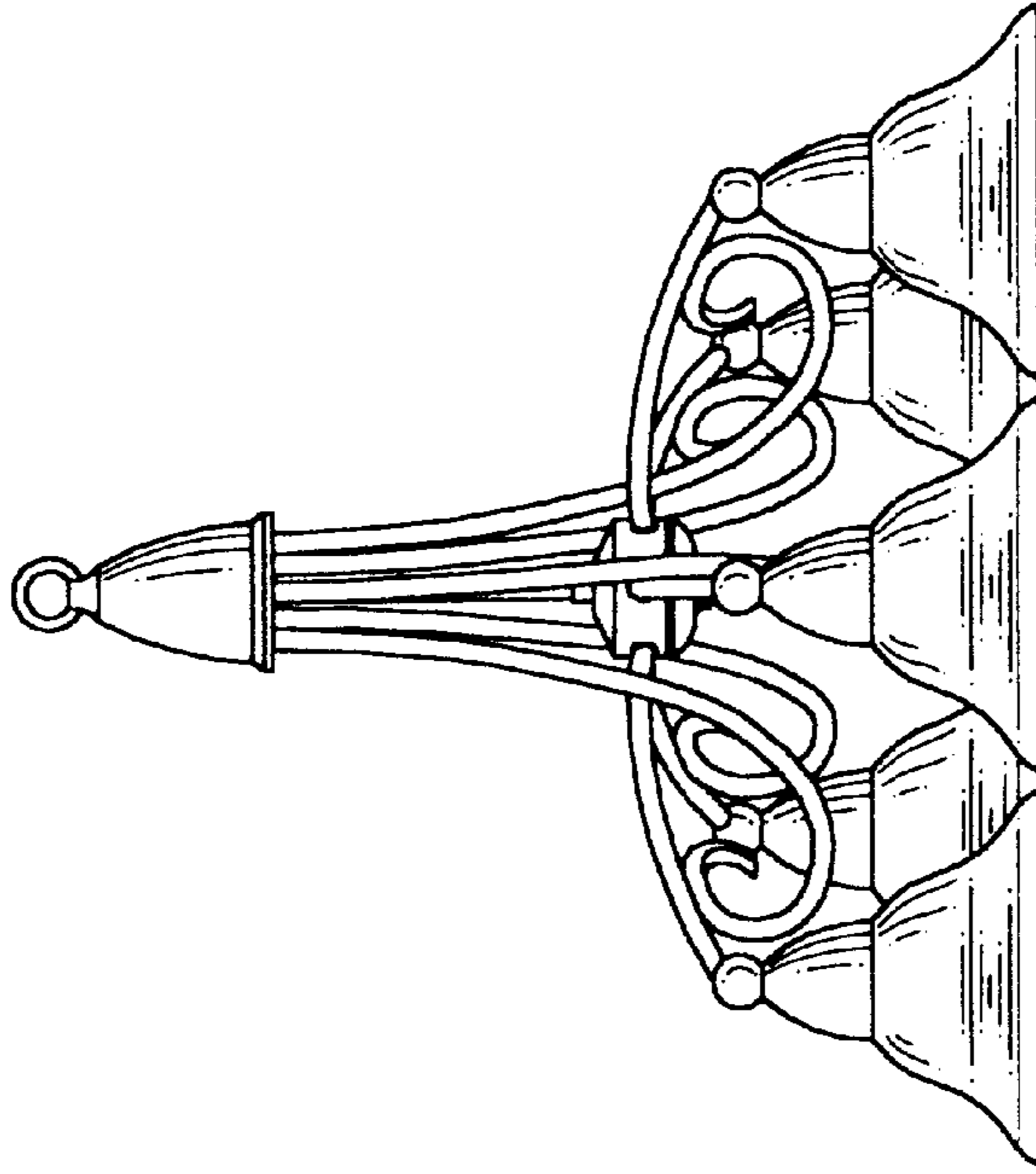


FIG. 3

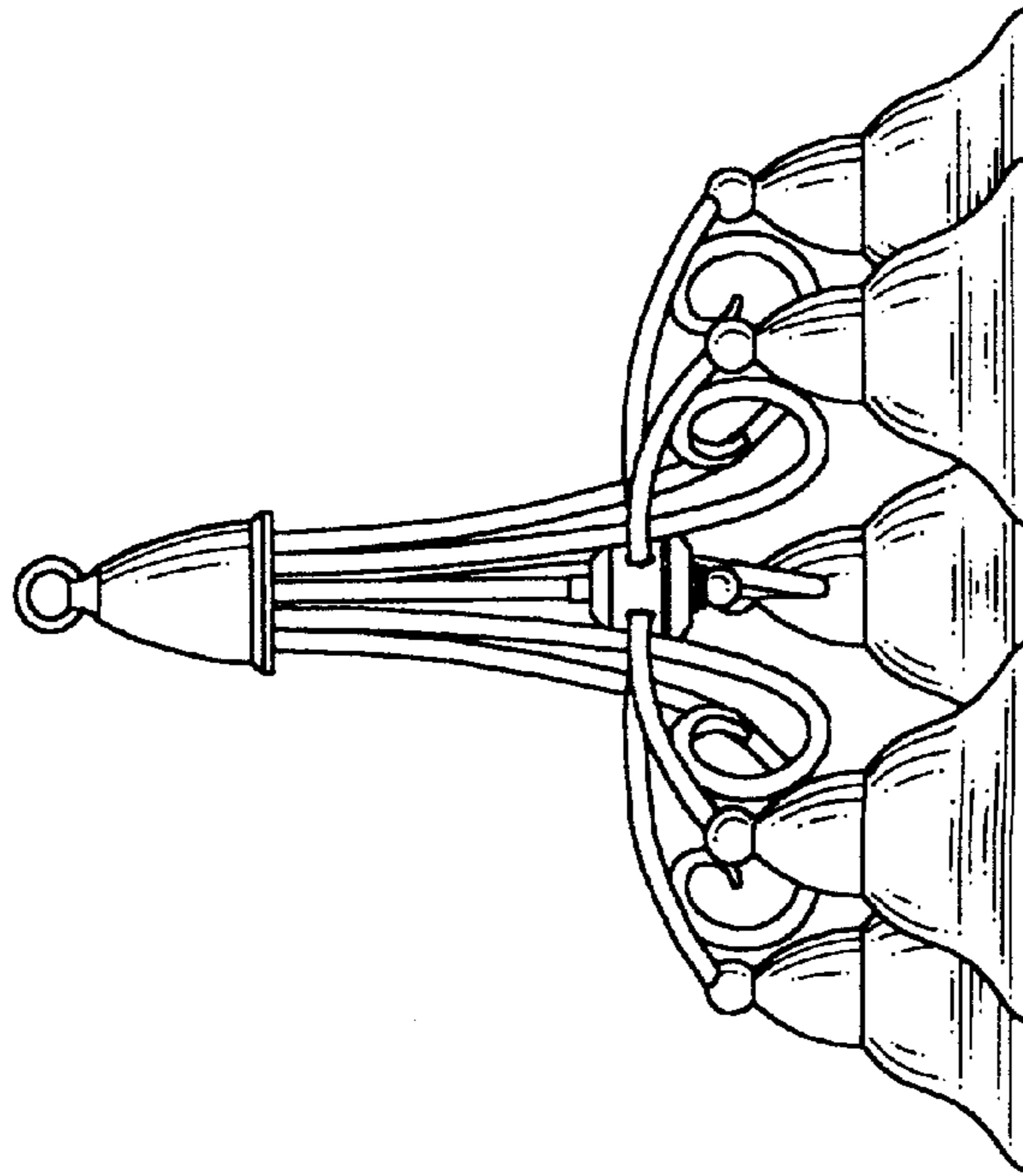


FIG. 2

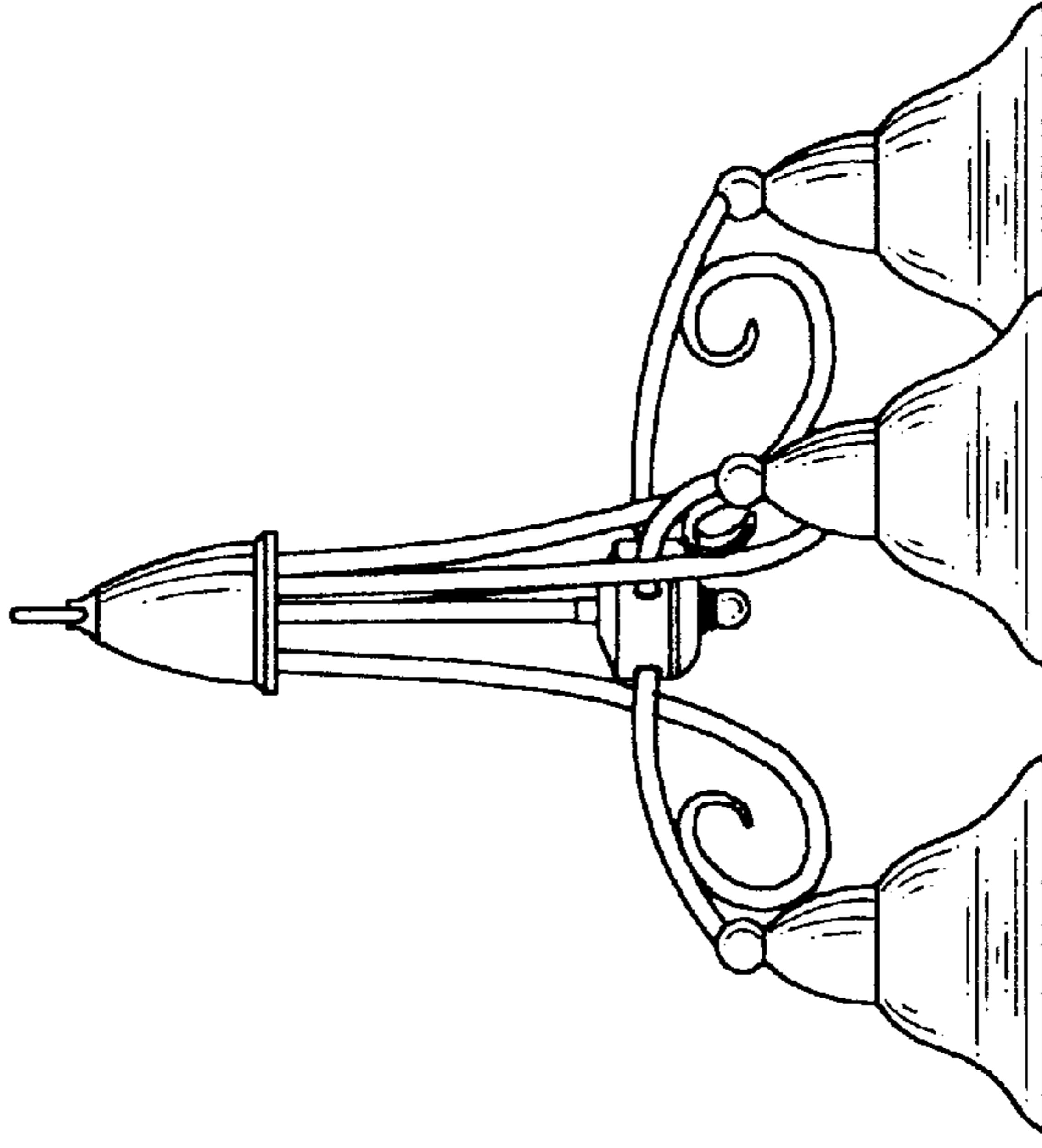


FIG. 5

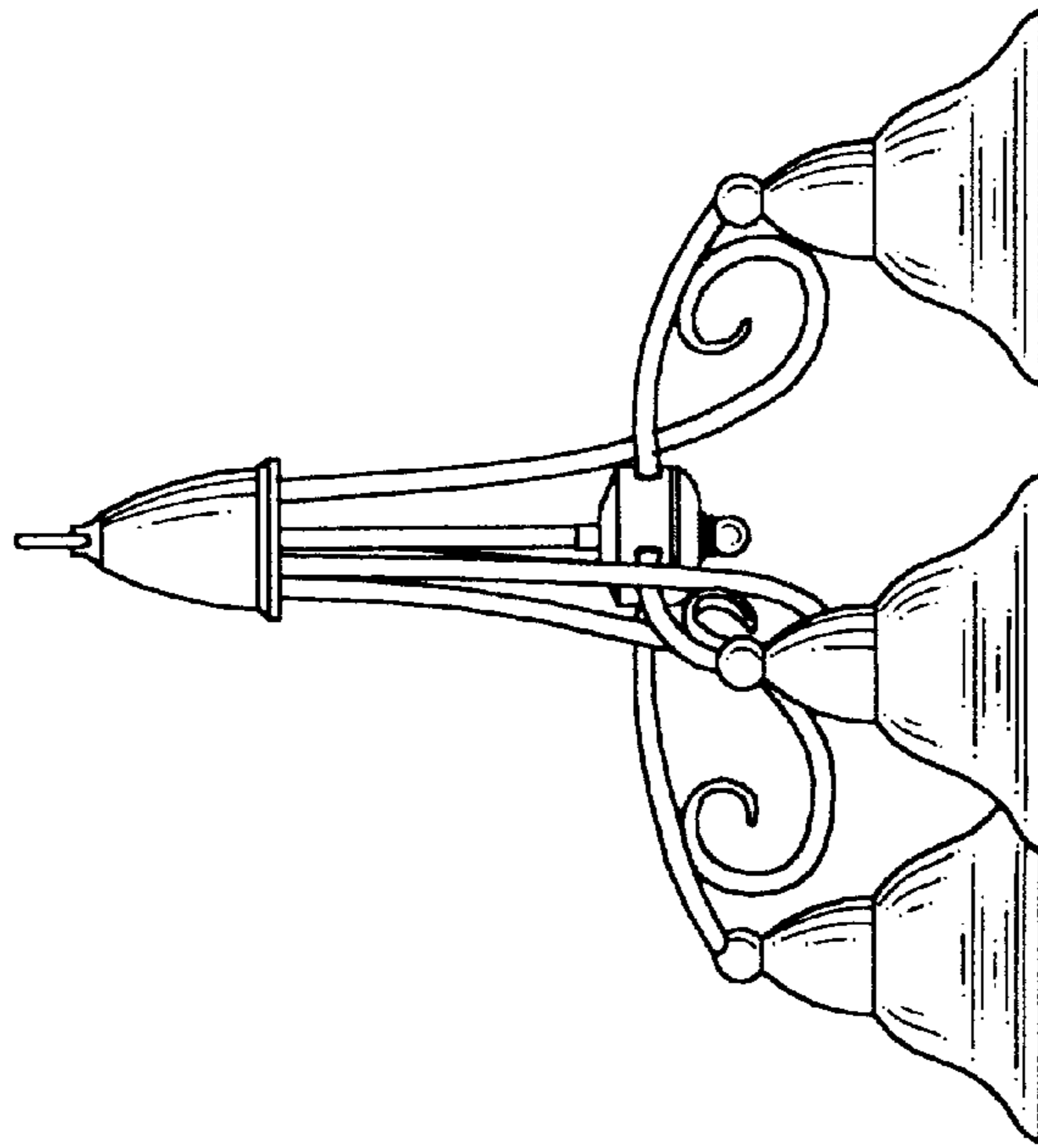


FIG. 4

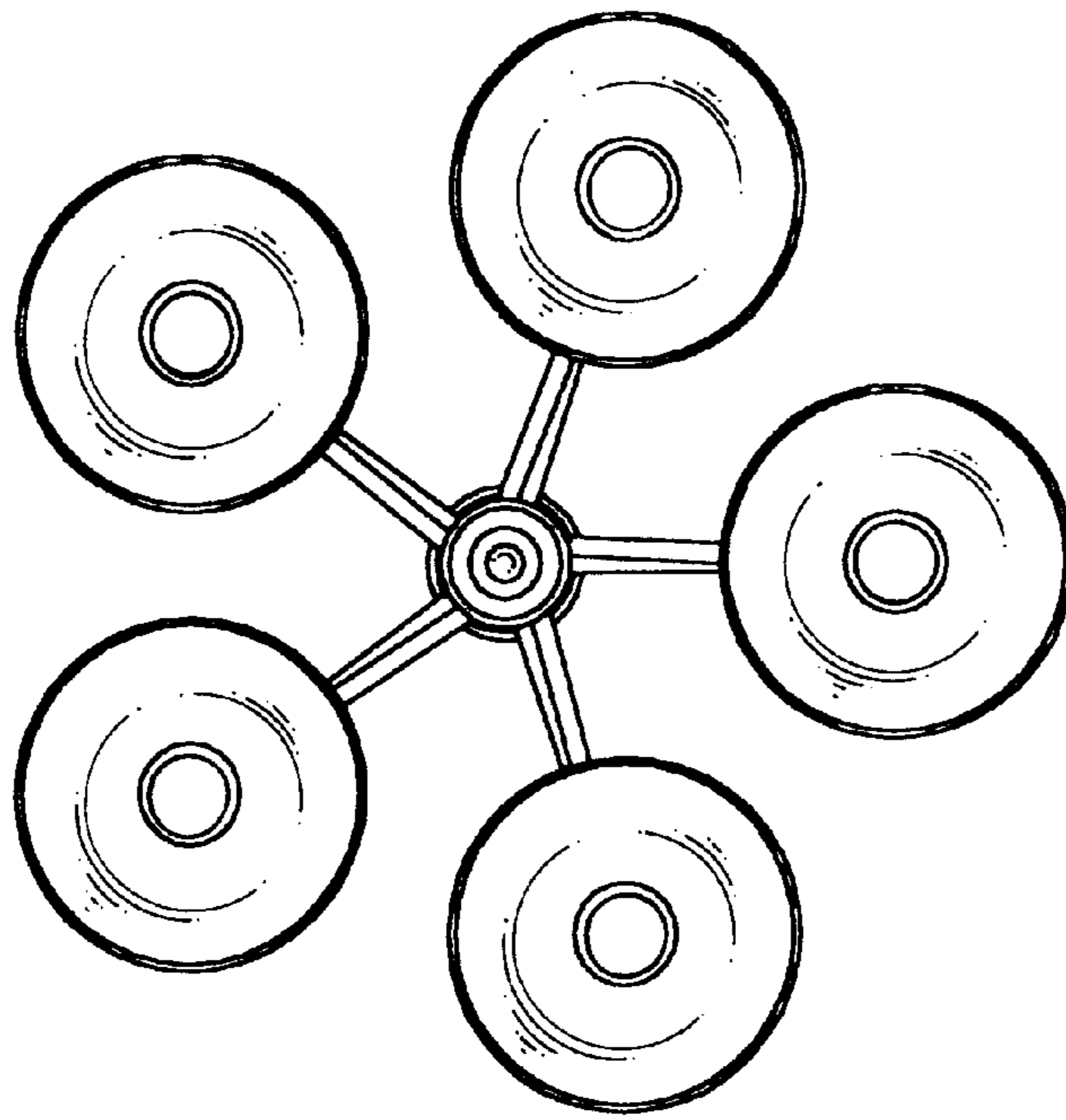


FIG. 7

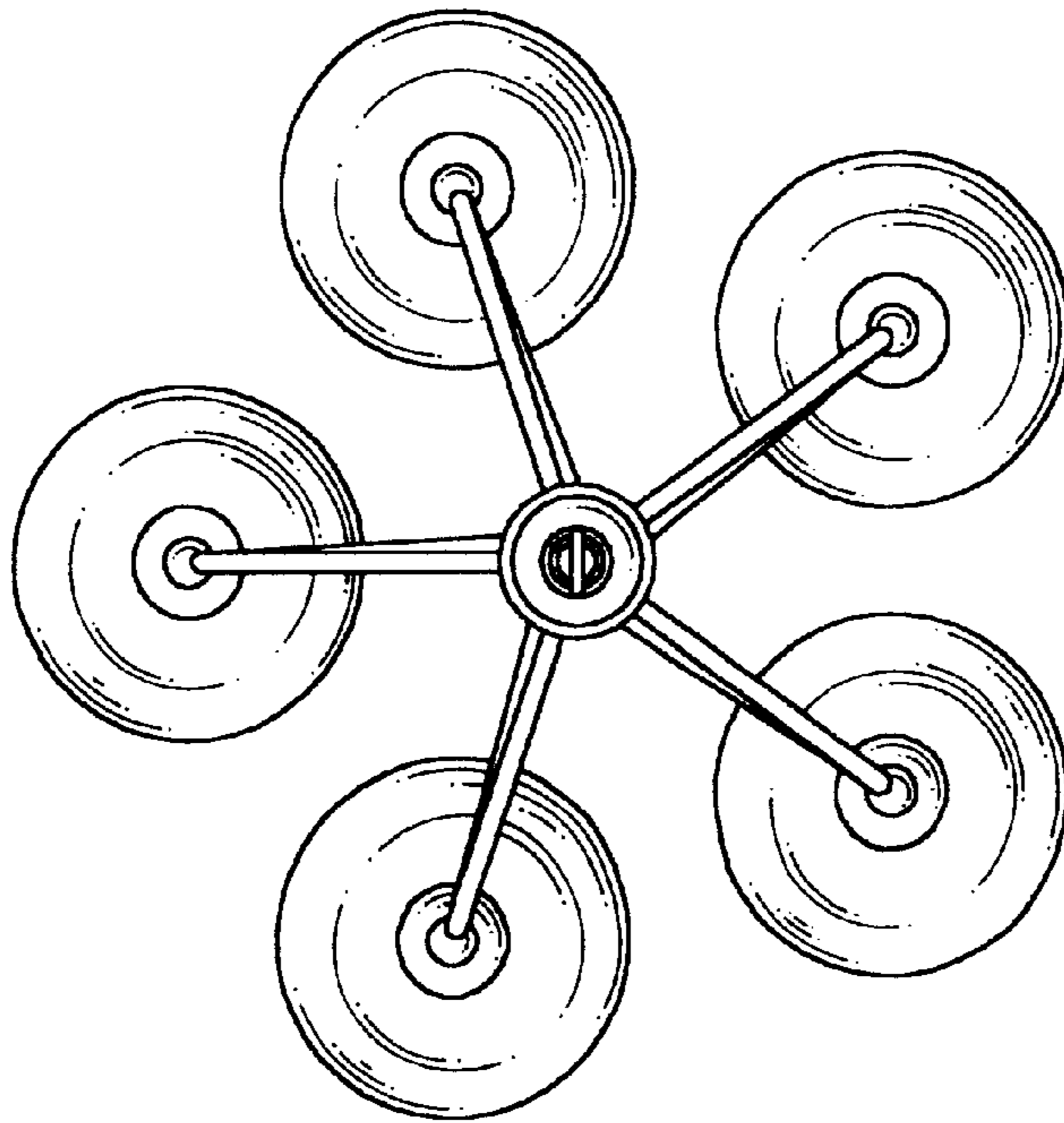


FIG. 6