



US00D431306S

**United States Patent** [19]  
**Tsai**

[11] **Patent Number: Des. 431,306**

[45] **Date of Patent: \*\* Sep. 26, 2000**

[54] **BUBBLE LAMP COVER**

D. 356,167 3/1995 Bohannon ..... D26/4  
2,520,691 8/1950 Otis ..... D26/4

[76] Inventor: **Ming-Chuan Tsai**, P.O. Box 7-820,  
Taipei, Taiwan

*Primary Examiner*—Marcus A. Jackson

[\*\*] Term: **14 Years**

[57] **CLAIM**

[21] Appl. No.: **29/116,250**

The ornamental design for a bubble lamp cover, as shown and described.

[22] Filed: **Dec. 30, 1999**

**DESCRIPTION**

[51] **LOC (7) Cl.** ..... **26-06**

[52] **U.S. Cl.** ..... **D26/5**

[58] **Field of Search** ..... D26/1-5; 362/806,  
362/808, 122, 124; 428/3, 7, 17, 11; 313/315,  
317, 318, 110, 115, 116, 567, 569

FIG. 1 is a perspective view of a bubble lamp cover showing my new design;

FIG. 2 is a front view thereof;

FIG. 3 is a rear view thereof;

FIG. 4 is a left side elevational view thereof;

FIG. 5 is a right side elevational view thereof;

FIG. 6 is a top plan view thereof; and,

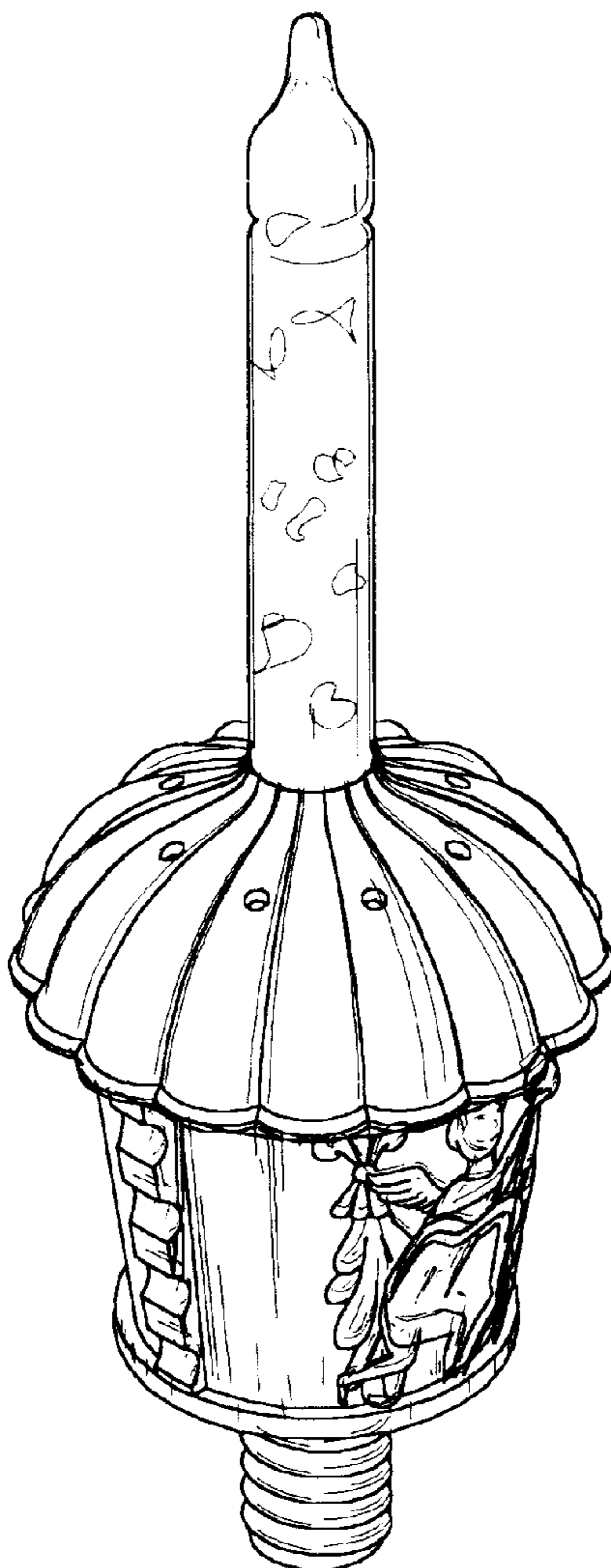
FIG. 7 is a bottom plan view thereof.

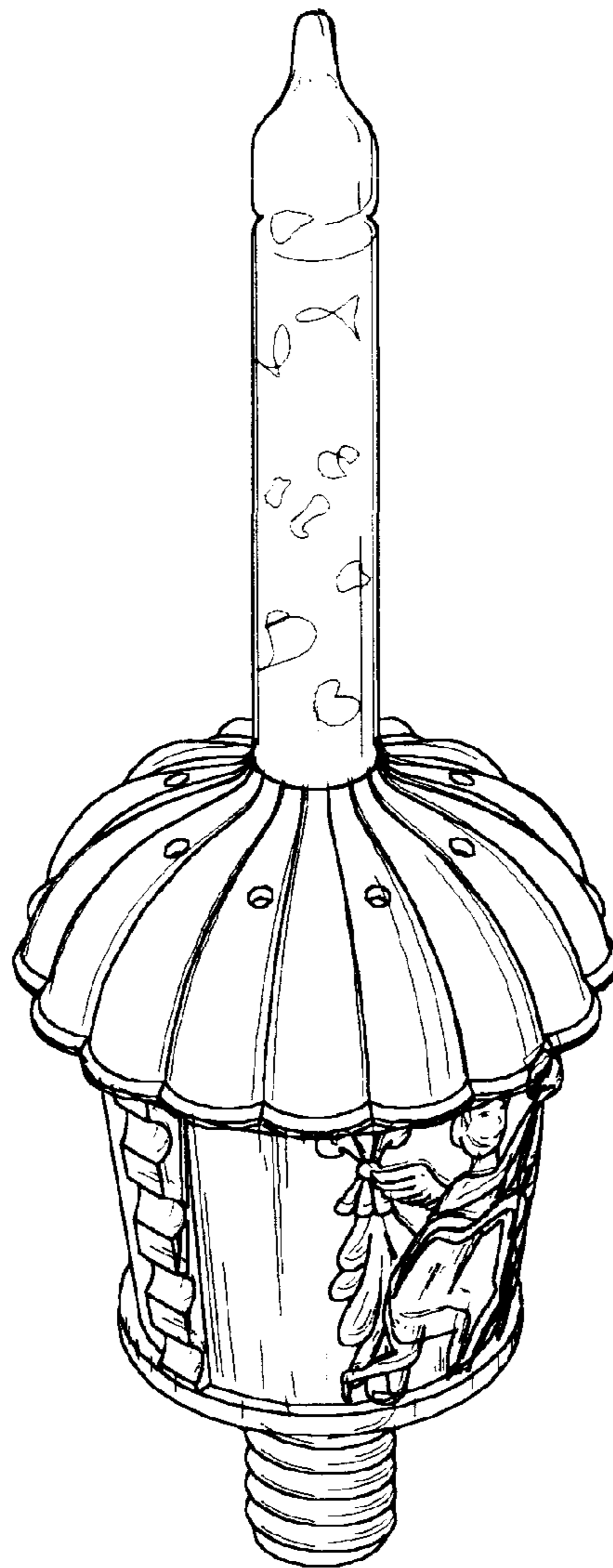
[56] **References Cited**

**U.S. PATENT DOCUMENTS**

D. 286,680 11/1986 Saiza ..... D26/4  
D. 304,243 10/1989 Zwald ..... D26/4

**1 Claim, 4 Drawing Sheets**





*FIG. 1*

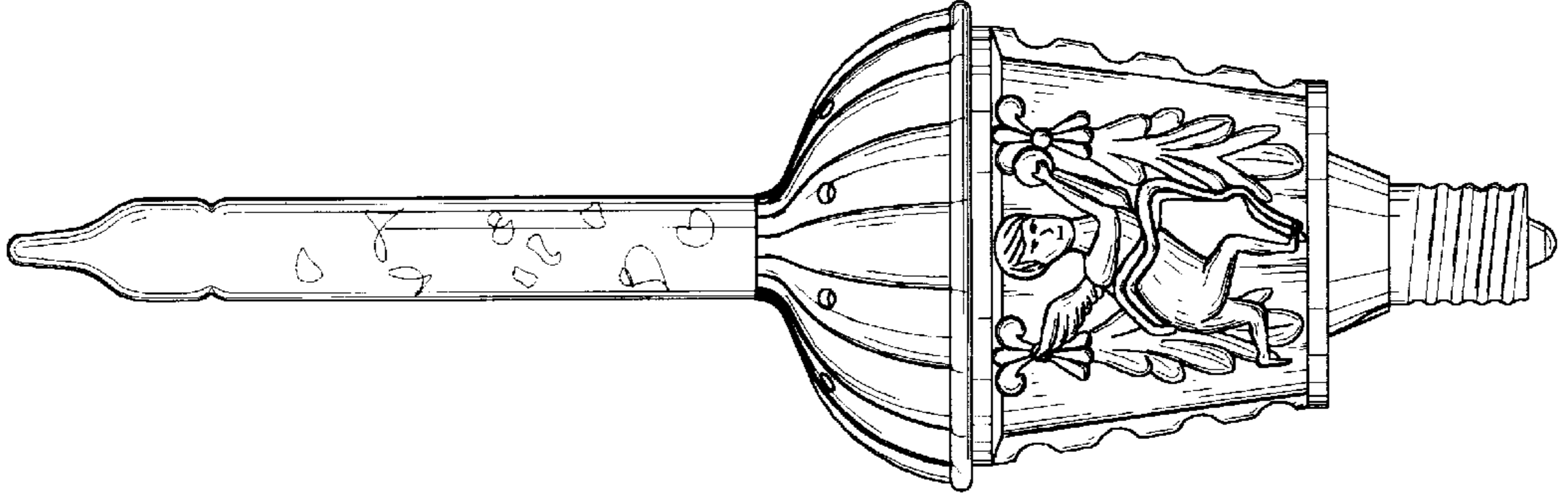


FIG. 3

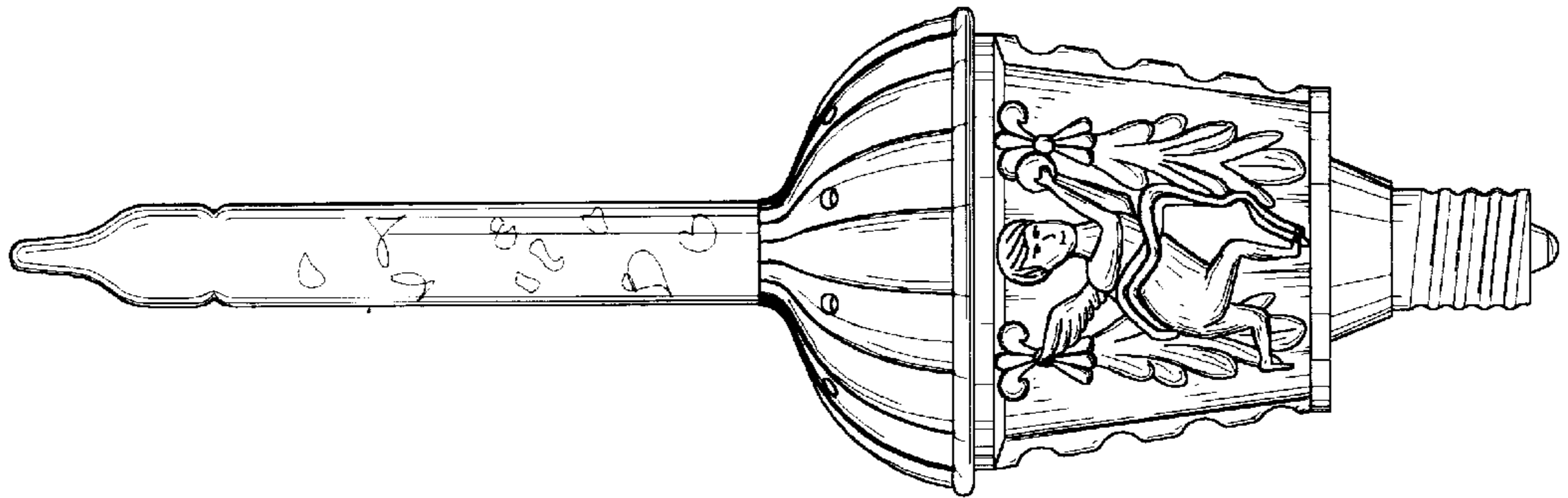


FIG. 2

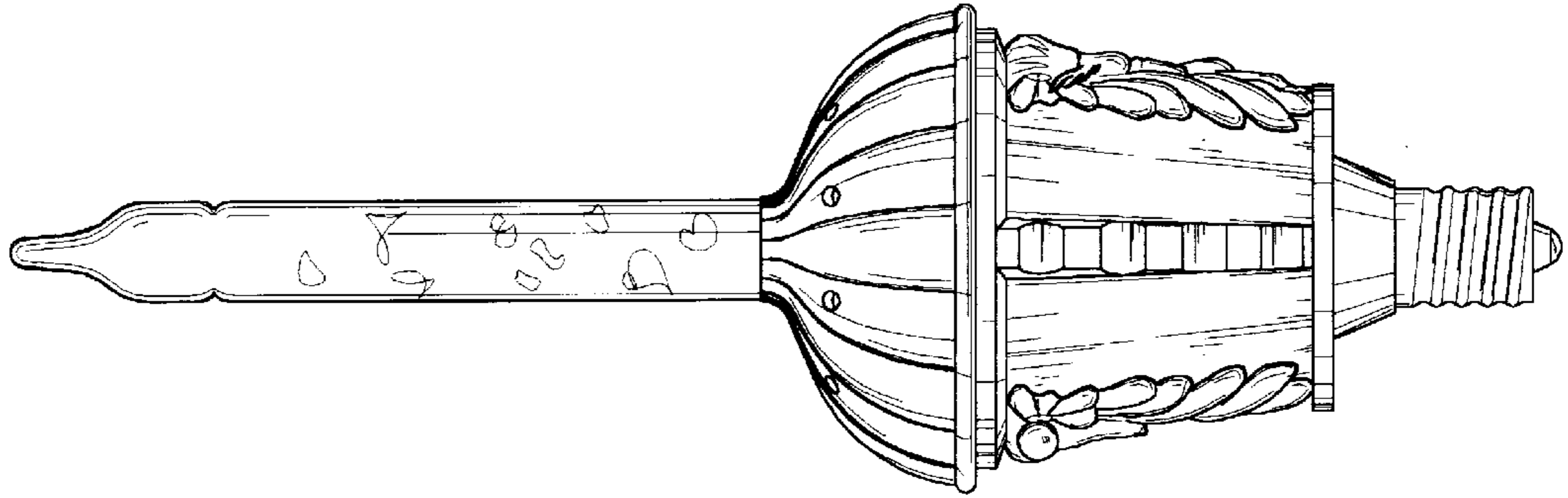


FIG. 5

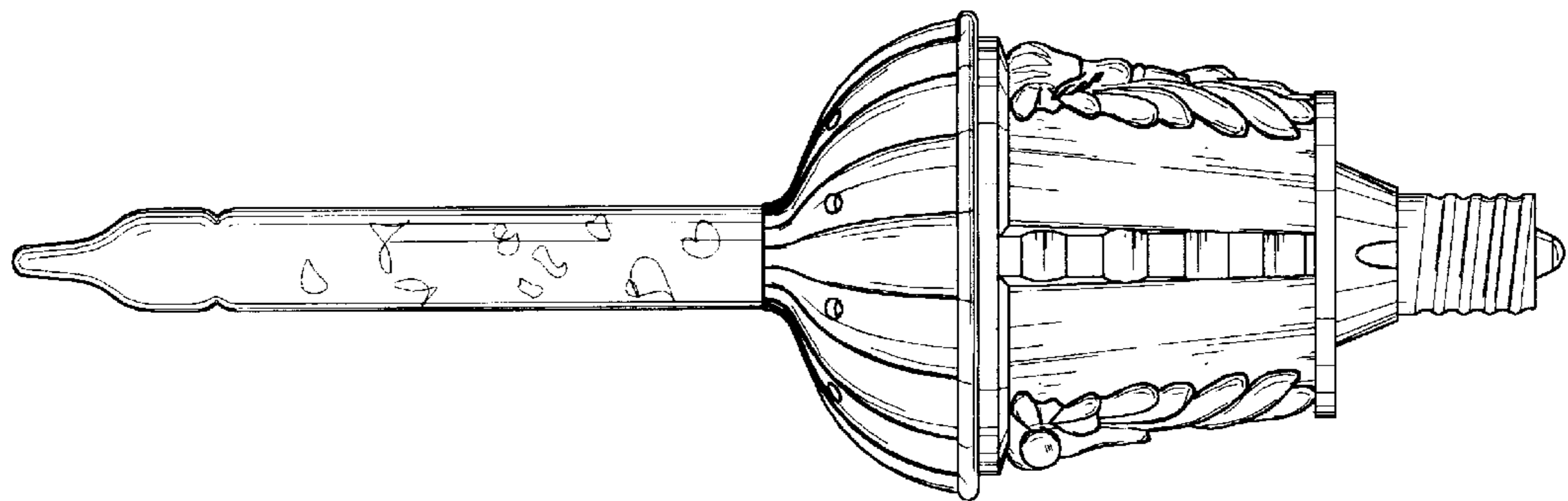
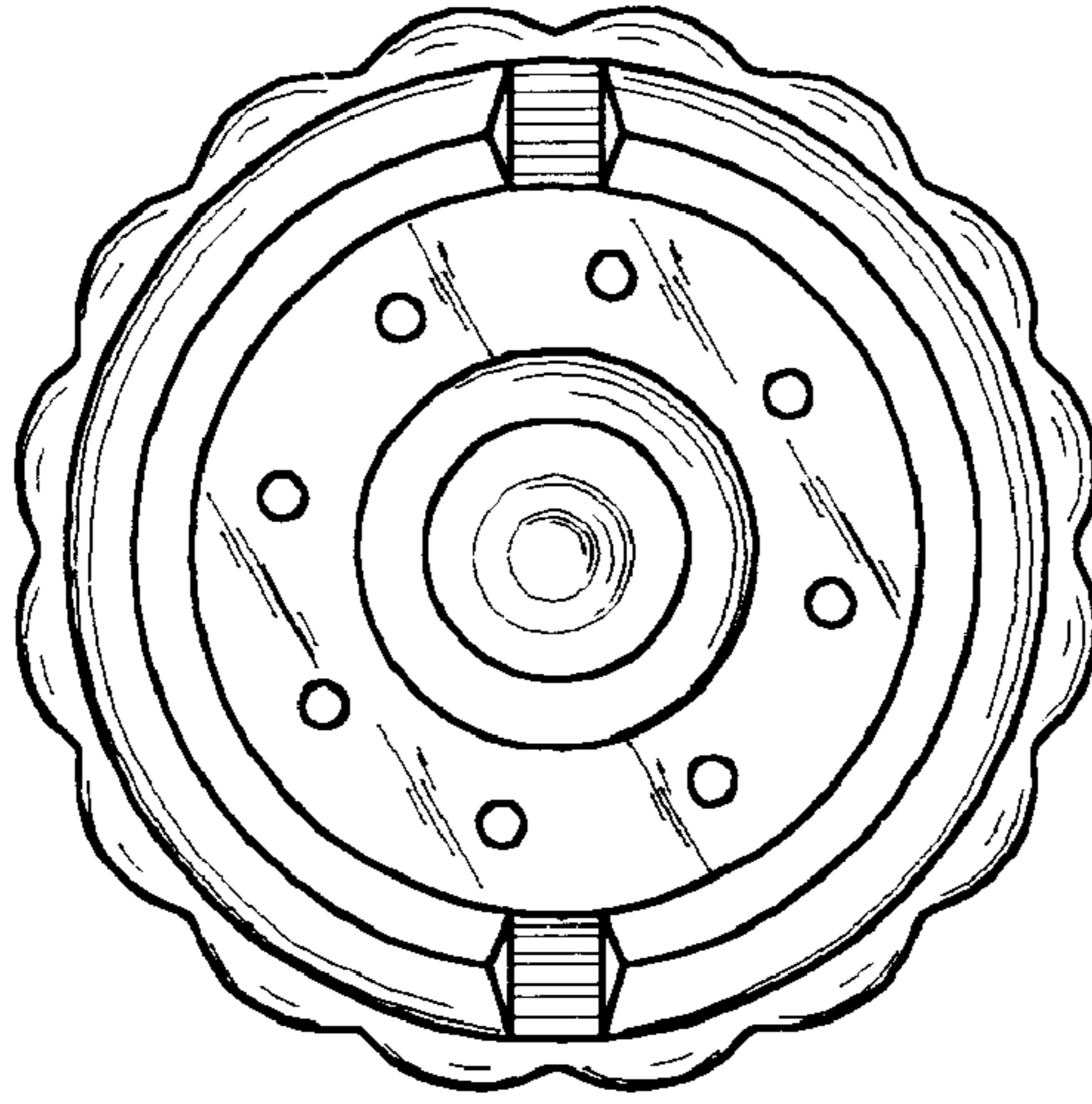
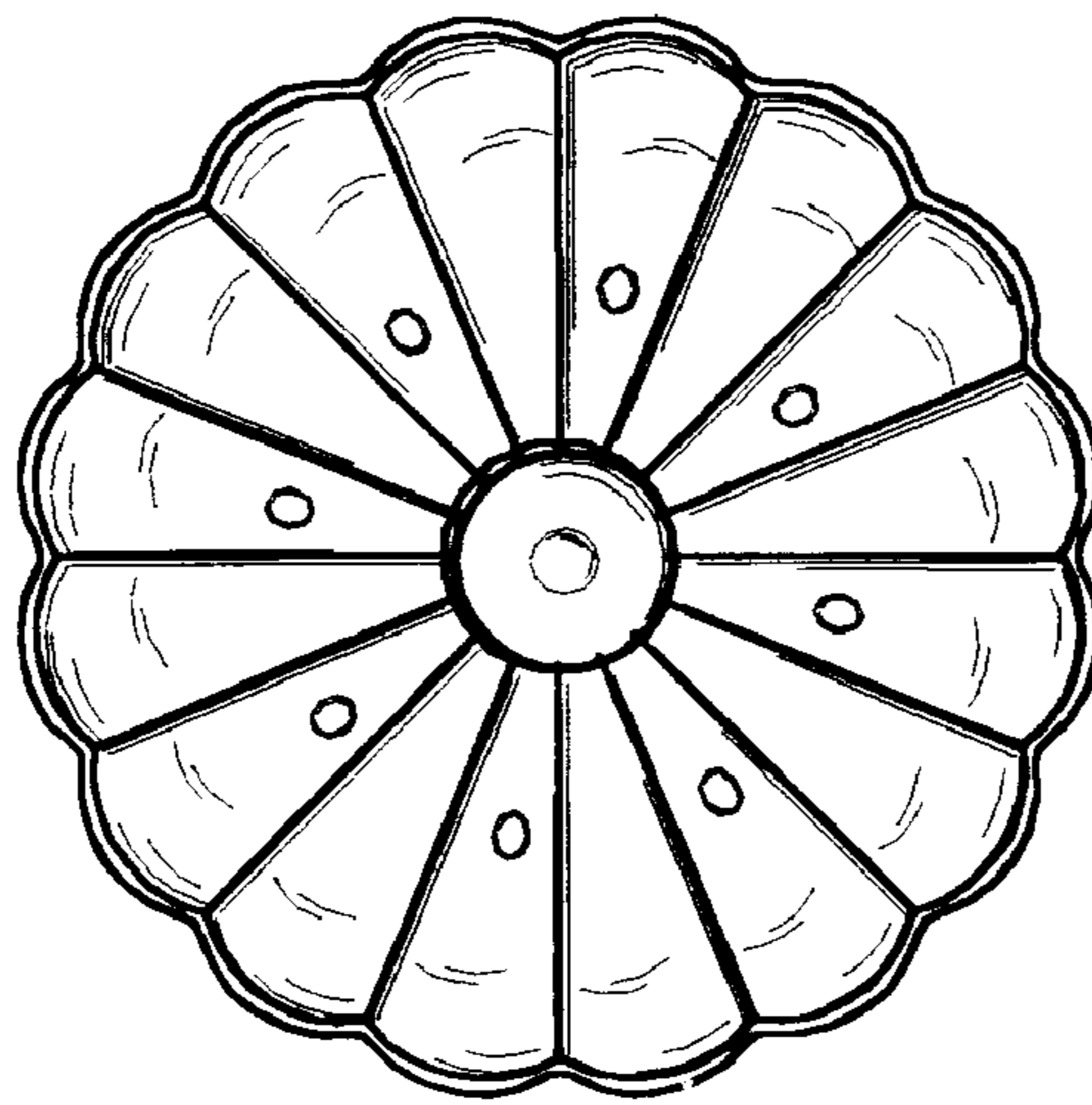


FIG. 4



*FIG. 7*



*FIG. 6*