



US00D431301S

United States Patent [19] Fisch

[11] **Patent Number: Des. 431,301**

[45] **Date of Patent: ** Sep. 26, 2000**

[54] **MICROSCOPE SLIDE ASSEMBLY**

D. 227,360 6/1973 Lou D24/225
4,501,496 2/1985 Griffin 356/246
5,364,790 11/1994 Atwood et al. 359/398

[76] Inventor: **Harry Fisch**, 30 Springdale Rd.,
Scarsdale, N.Y. 10583

[**] Term: **14 Years**

Primary Examiner—Ian Simmons
Attorney, Agent, or Firm—Chadbourne & Parke LLP

[21] Appl. No.: **29/111,400**

[22] Filed: **Sep. 27, 1999**

[57] CLAIM

The ornamental design for the microscope slide assembly, as shown and described.

Related U.S. Application Data

DESCRIPTION

[63] Continuation-in-part of application No. 29/105,463, May 26, 1999, Pat. No. Des. 423,678.

[51] **LOC (7) Cl.** **16-99**

[52] **U.S. Cl.** **D24/225**

[58] **Field of Search** D24/225, 226;
359/398, 397, 391, 396; 356/246, 244;
428/210; 206/456; D16/131

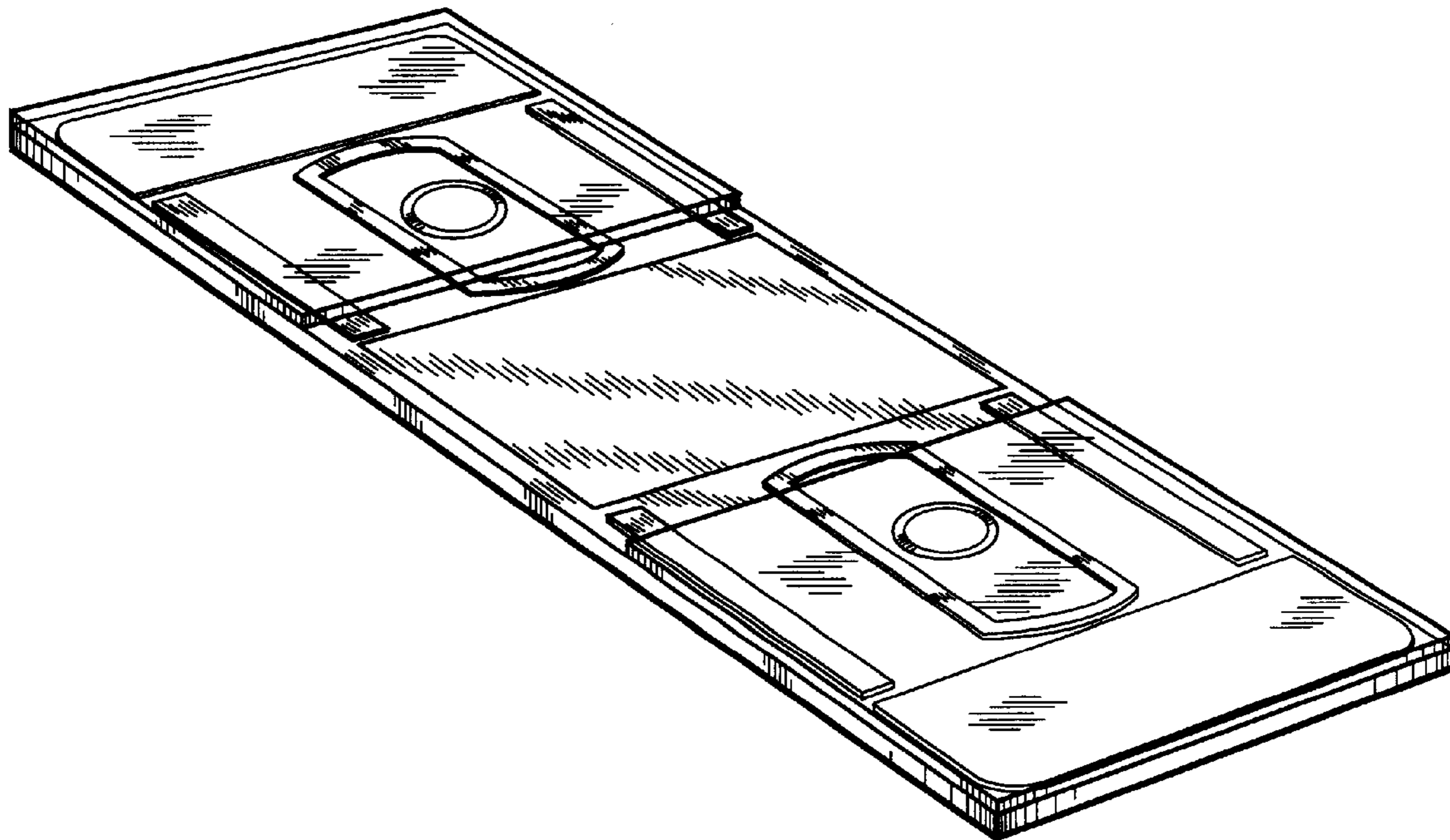
FIG. 1 is a perspective view of my new design of a microscope slide assembly;
FIG. 2 is a top view thereof;
FIG. 3 is a bottom view thereof;
FIG. 4 is a front view thereof; and,
FIG. 5 is a side view thereof.

[56] References Cited

U.S. PATENT DOCUMENTS

D. 218,819 9/1970 Rubin et al. D24/225

1 Claim, 2 Drawing Sheets



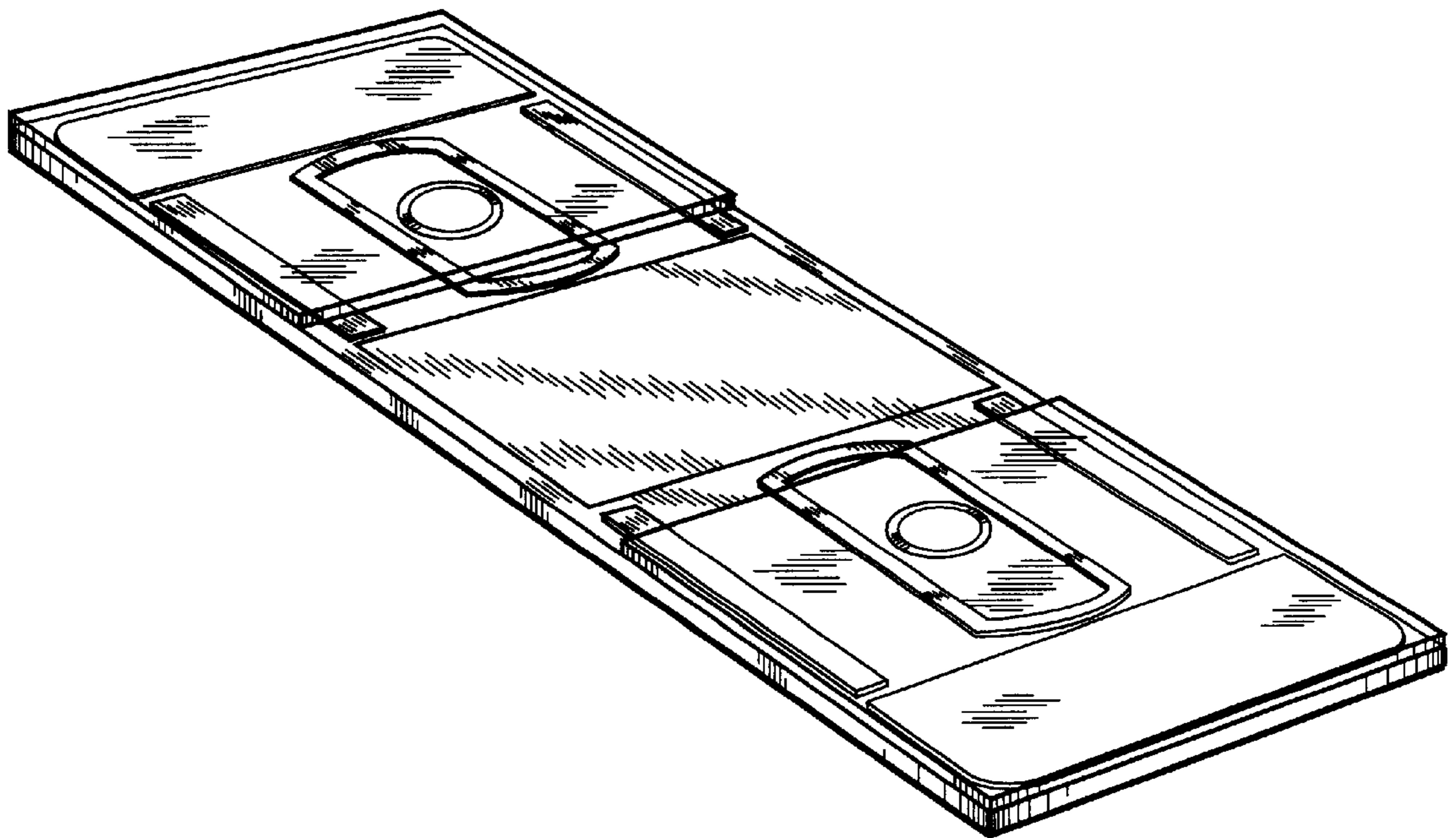


FIG. 1

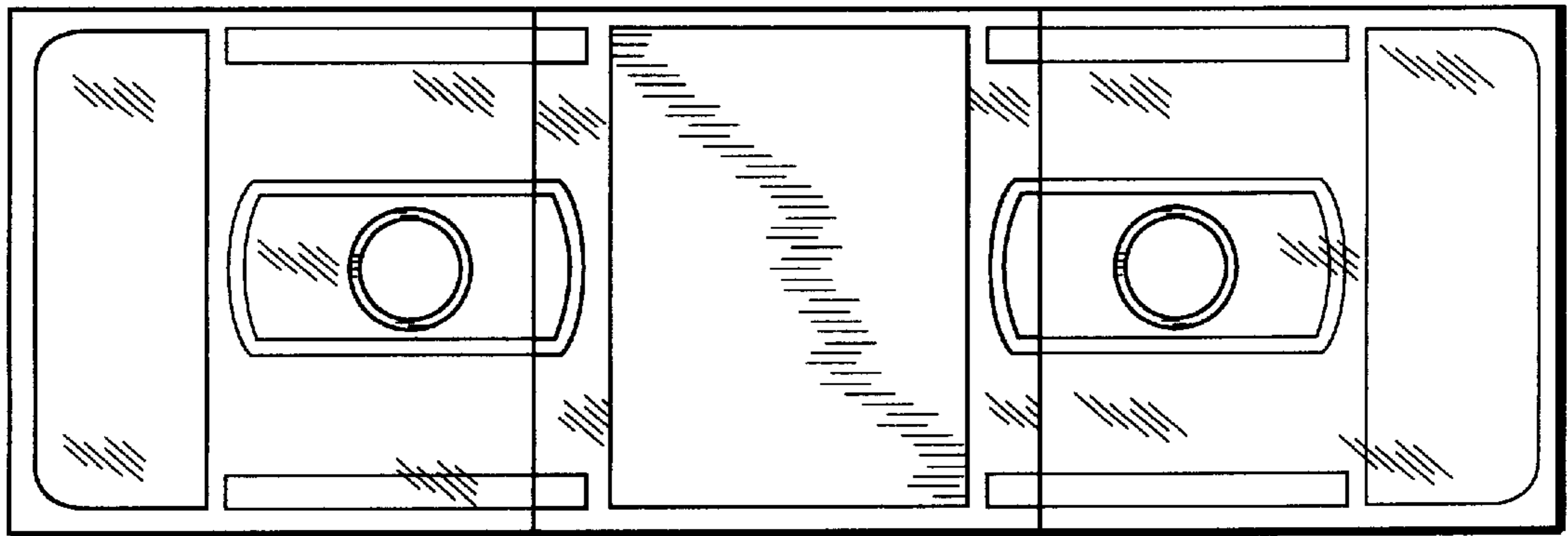


FIG. 2

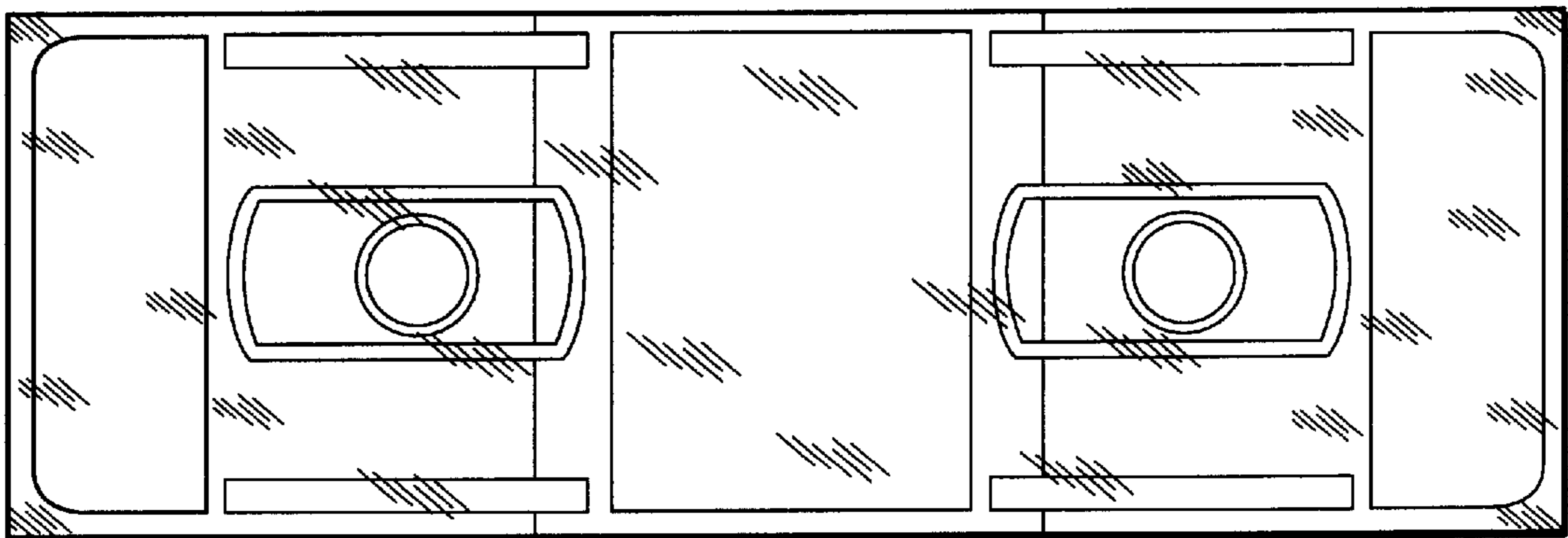


FIG. 3



FIG. 4



FIG. 5