



US00D431292S

United States Patent [19] Tallving

[11] Patent Number: Des. 431,292

[45] Date of Patent: ** Sep. 26, 2000

[54] HOLDER FOR WOOD PIECES

4,718,652 1/1988 Liebenstein .

[76] Inventor: Nils Tallving, Finspångsvägen 497,
Norrköping, SE-605 98, Sweden

Primary Examiner—Mitchell Siegel
Attorney, Agent, or Firm—Zarley, McKee, Thomte,
Voorhees & Sease

[**] Term: 14 Years

[57] CLAIM

[21] Appl. No.: 29/101,117

I claim the ornamental design for a holder for wood pieces,
as shown.

[22] Filed: Feb. 23, 1999

DESCRIPTION

[51] LOC (7) Cl. 23-99

[52] U.S. Cl. D23/410

[58] Field of Search D23/410; 269/289,
269/296, 321, 211, 902, 909

FIG. 1 is a front right perspective view of a holder for wood pieces;

FIG. 2 is a rear perspective view thereof;

FIG. 3 is front left perspective view thereof; and,

FIG. 4 is a front left perspective view shown in an alternate position.

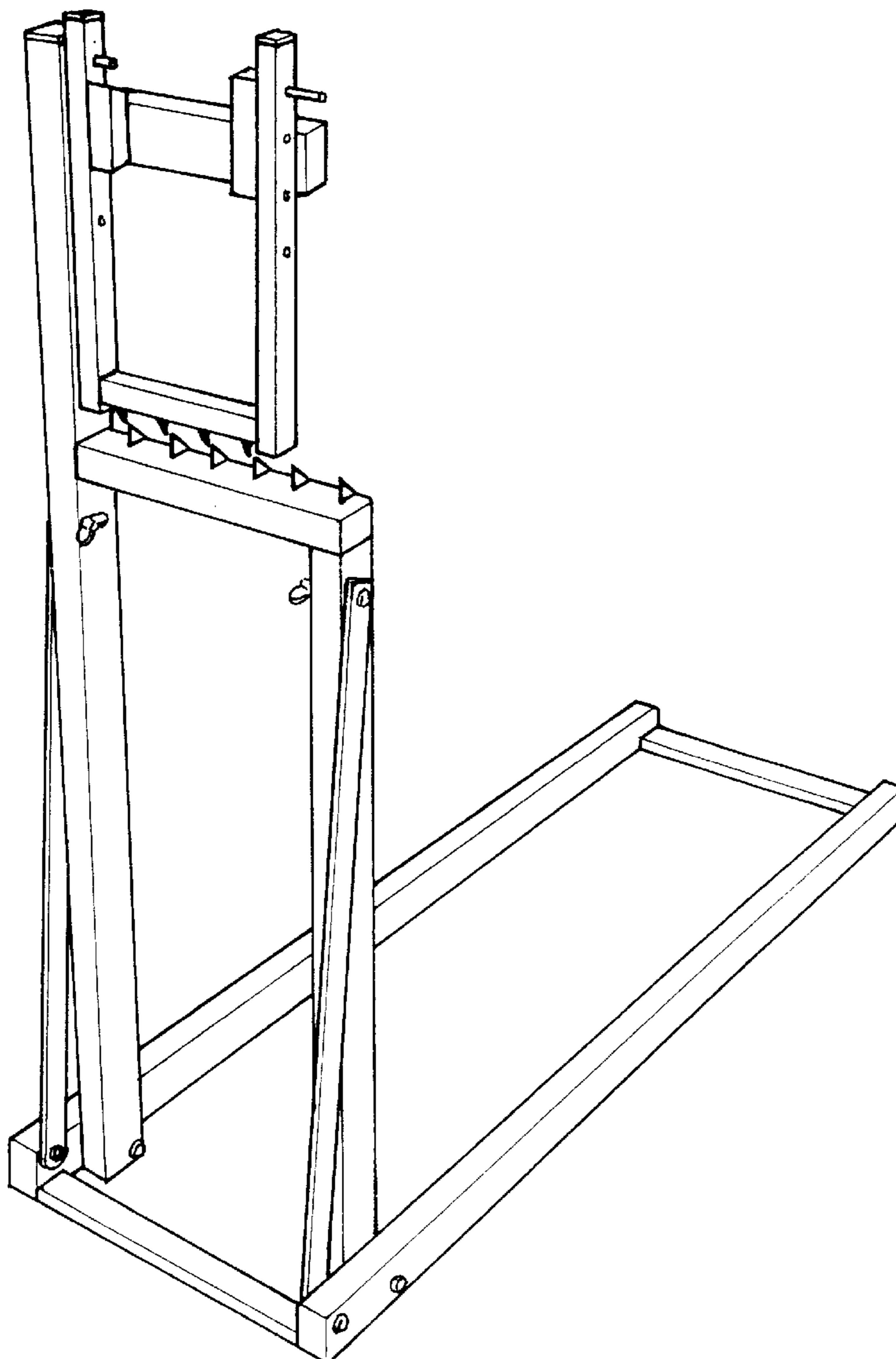
[56] References Cited

U.S. PATENT DOCUMENTS

2,733,740 2/1956 Little 269/296
4,241,772 12/1980 Scherer 269/289
4,641,822 2/1987 Fenerty .

The undisclosed bottom surface forms no part of the claimed design.

1 Claim, 4 Drawing Sheets



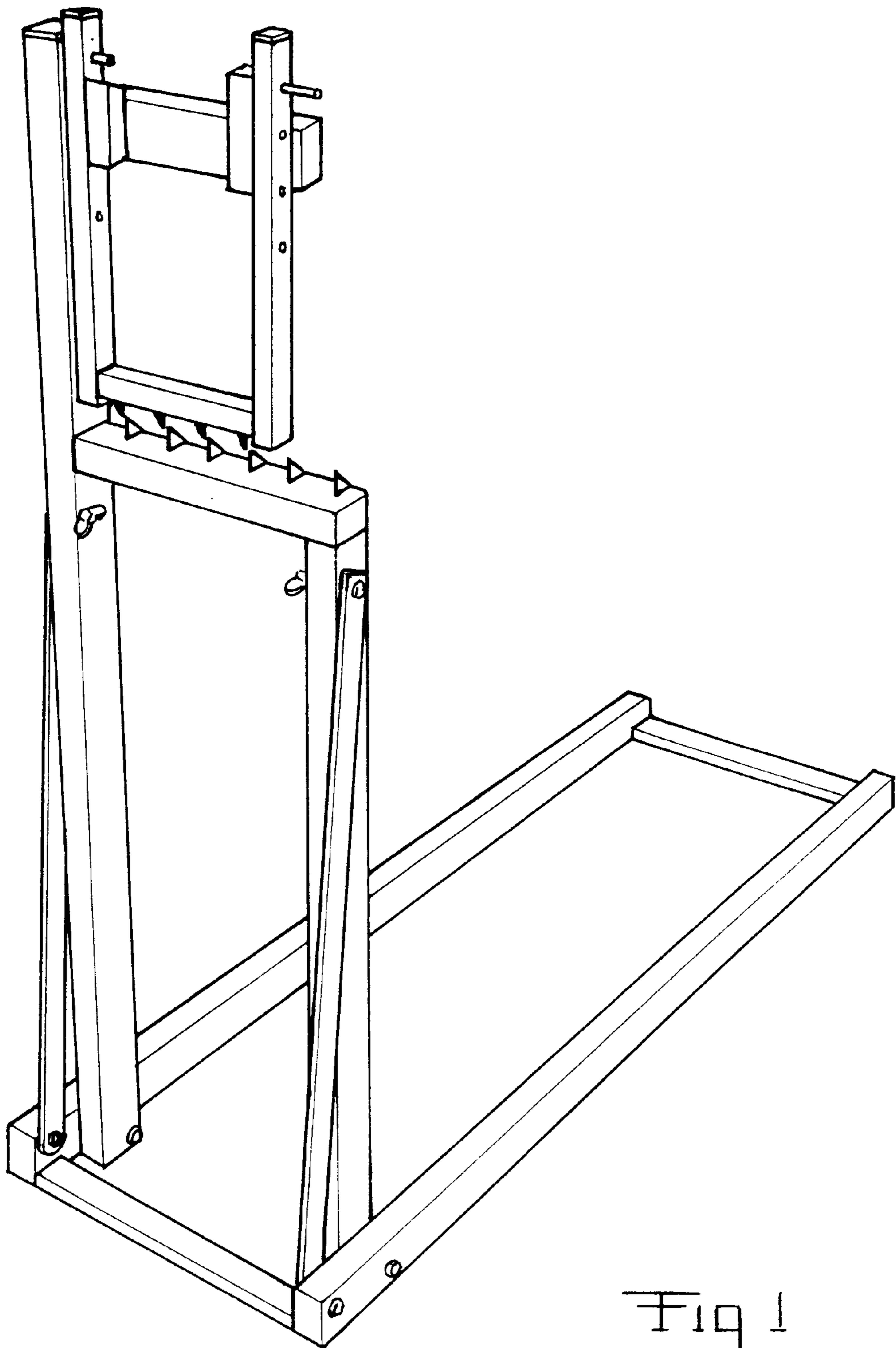


Fig 1

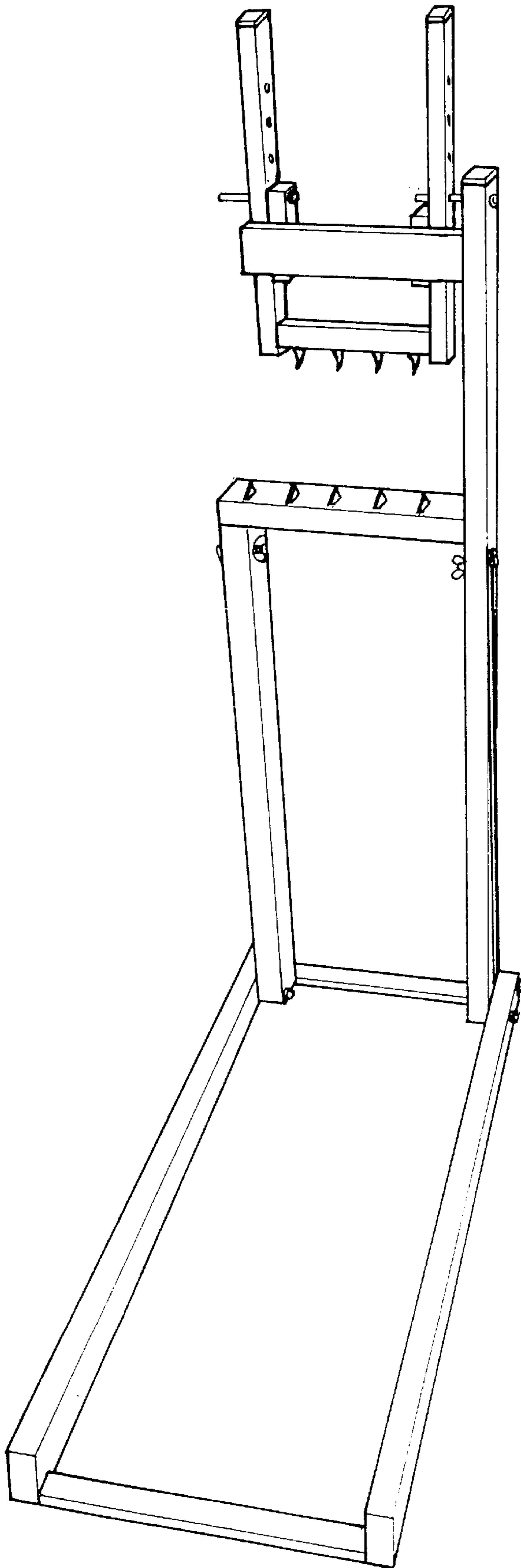


Fig 2

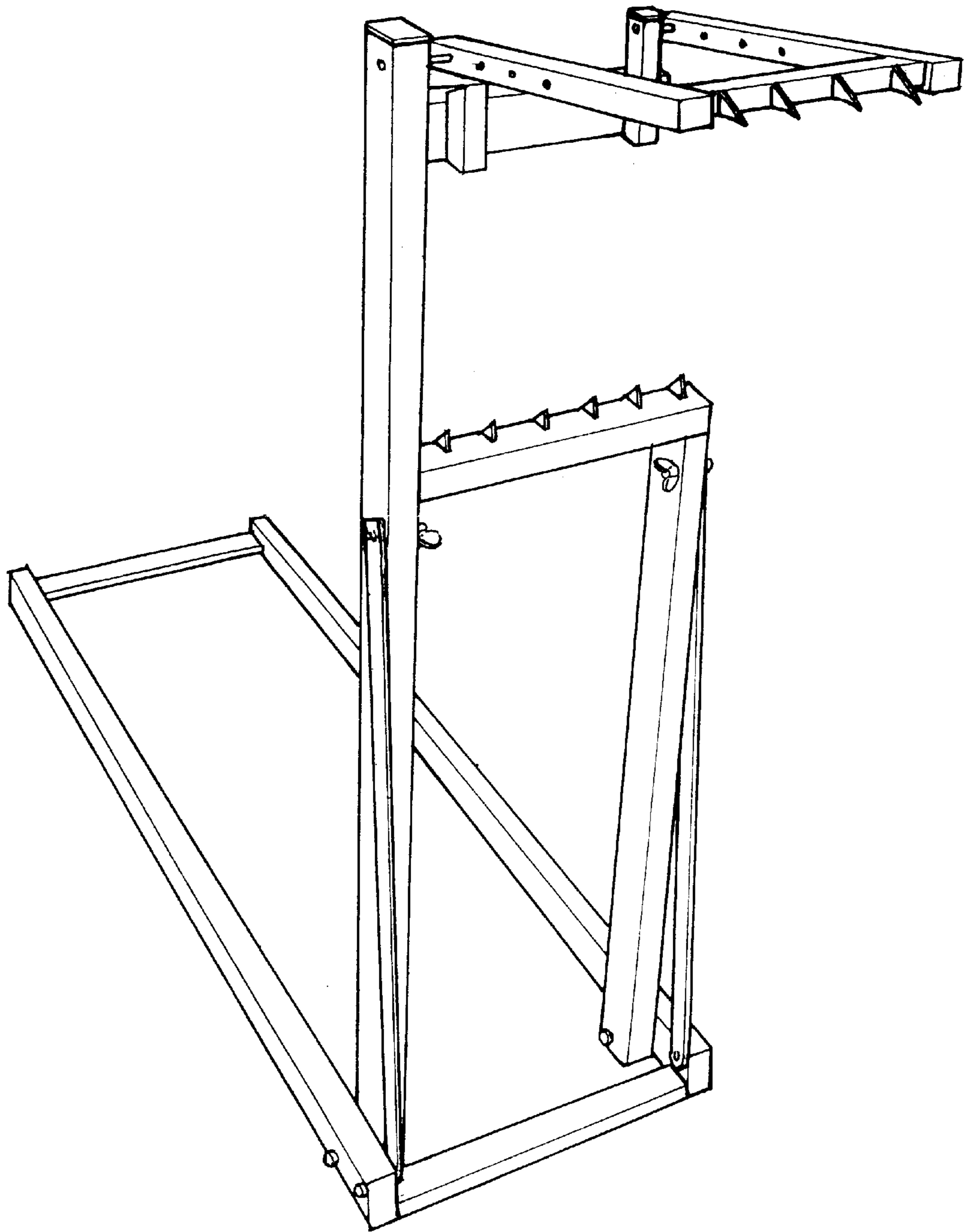


Fig 3

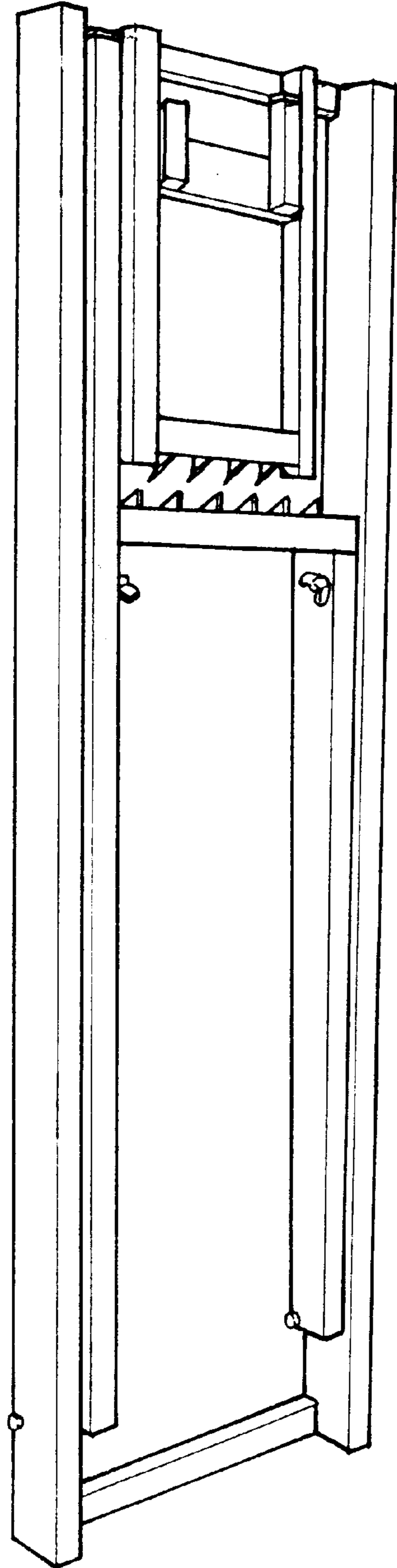


Fig 4