



US00D431291S

# United States Patent [19] McKee

[11] Patent Number: **Des. 431,291**

[45] Date of Patent: **\*\* Sep. 26, 2000**

[54] TRANSLUCENT ROOF VENT

Attorney, Agent, or Firm—Hoffmann & Baron, LLP

[75] Inventor: **James McKee**, Barrie, Canada

[57] **CLAIM**

[73] Assignee: **Canplas Industries, Ltd.**, Barrie, Canada

The ornamental design for a translucent roof vent, as shown and described.

[\*\*] Term: **14 Years**

### DESCRIPTION

[21] Appl. No.: **29/102,787**

[22] Filed: **Mar. 31, 1999**

[51] **LOC (7) Cl.** ..... **23-99**

[52] **U.S. Cl.** ..... **D23/393**

[58] **Field of Search** ..... D23/370, 373,  
D23/393; 52/198, 199, 200

FIG. 1 is a top front and left side perspective view of a translucent roof vent with interior ornamental surfaces of a translucent, frusto-pyramidal member with an open-ended top portion and exterior ornamental surfaces of a translucent generally rectangular cap portion and a translucent generally rectangular base portion embodying my design.

FIG. 2 is a top plan view thereof.

FIG. 3 is a bottom plan view thereof.

FIG. 4 is a front elevational view thereof.

FIG. 5 is a left side elevational view thereof. The right side of the translucent roof vent is symmetrical to the left side.

FIG. 6 is a rear elevational view thereof.

FIG. 7 is a top front and left side perspective view of an alternate embodiment of a translucent roof vent with interior ornamental surfaces of a translucent, frusto-pyramidal member with a slotted top portion and exterior ornamental surfaces of a translucent generally rectangular cap portion and of a translucent generally rectangular base portion embodying my design.

FIG. 8 is a top plan view thereof.

FIG. 9 is a bottom plan view thereof.

FIG. 10 is a front elevational view thereof.

FIG. 11 is a left side elevational view thereof. The right side of the translucent roof vent is symmetrical to the left side; and,

FIG. 12 is a rear elevational view thereof.

### [56] References Cited

#### U.S. PATENT DOCUMENTS

D. 210,017	1/1968	Morrison et al. ....	D23/373
D. 243,851	3/1977	Felter .....	D23/373
D. 329,694	9/1992	Wimberly .....	D23/377
D. 376,007	11/1996	Thomas .	
D. 424,186	5/2000	Dodson .....	D23/370
1,547,916	7/1925	Hoffman .	
3,085,490	4/1963	Field .	
3,389,502	6/1968	Leurent .....	D23/373 X
3,934,383	1/1976	Perry et al. .	
4,196,657	4/1980	Crongeyer et al. .	
4,307,549	12/1981	Clanton .	
4,468,899	9/1984	Miller .	
4,621,569	11/1986	Fioratti .	
4,683,687	8/1987	Crider .	
4,730,552	3/1988	Murray .	
5,212,913	5/1993	Whitehead .	
5,341,610	8/1994	Moss .	
5,435,780	7/1995	Ayles .	
5,561,952	10/1996	Damron .	

#### OTHER PUBLICATIONS

Advertisement by assignee for a Duraflo™ roof vent dated May 1993.

Primary Examiner—Mitchell Siegel

**1 Claim, 10 Drawing Sheets**

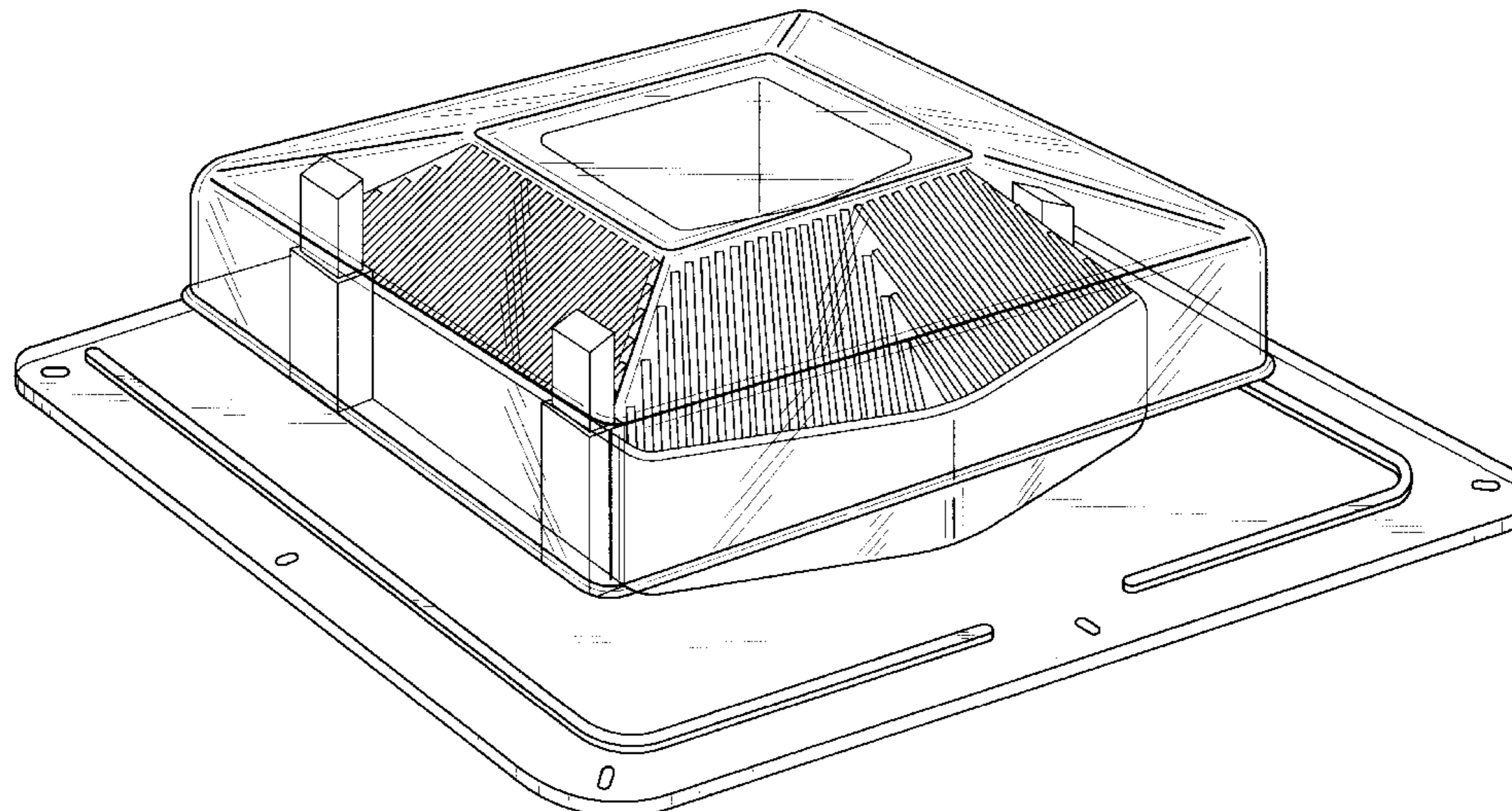
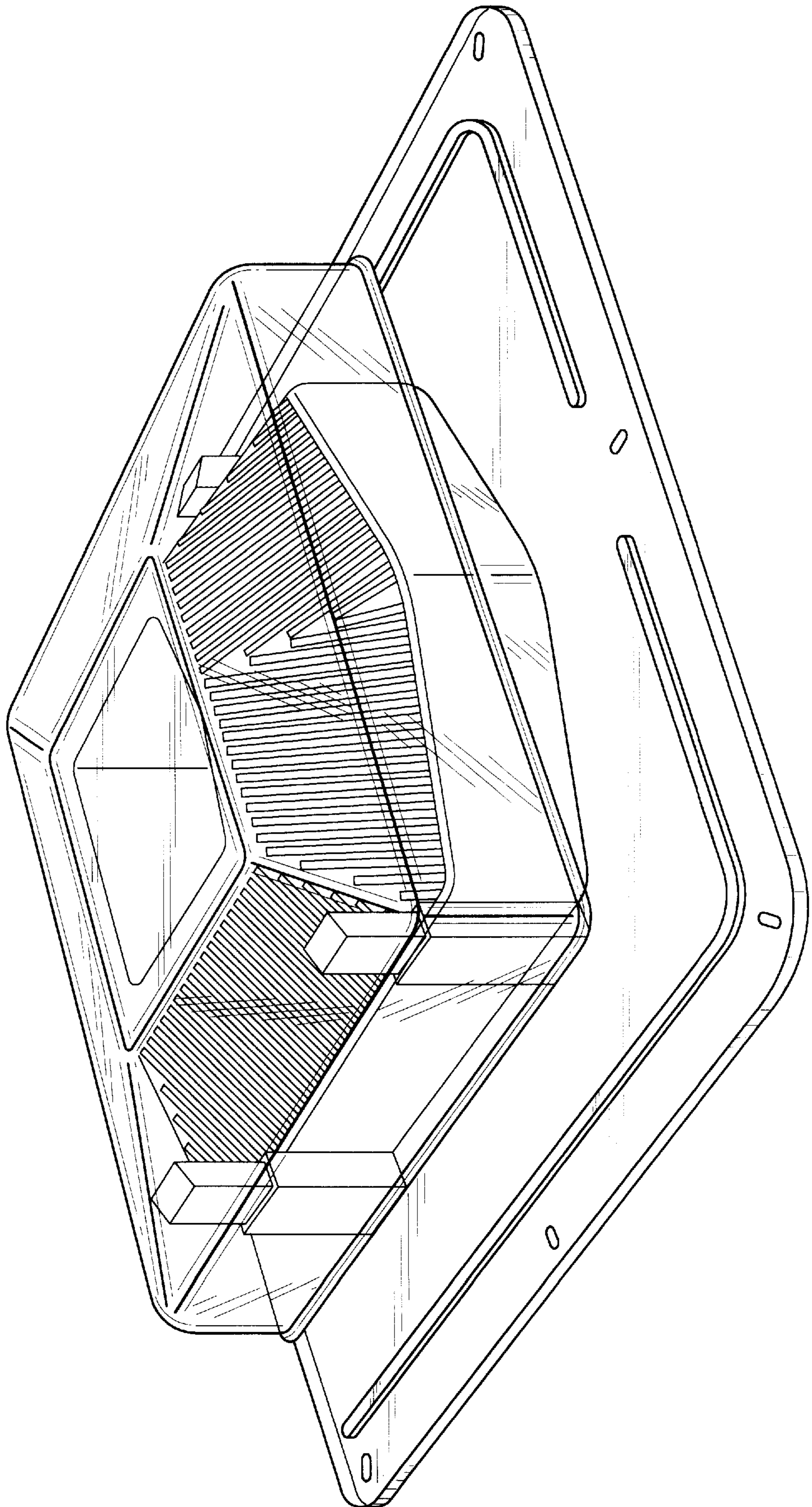


FIG-1





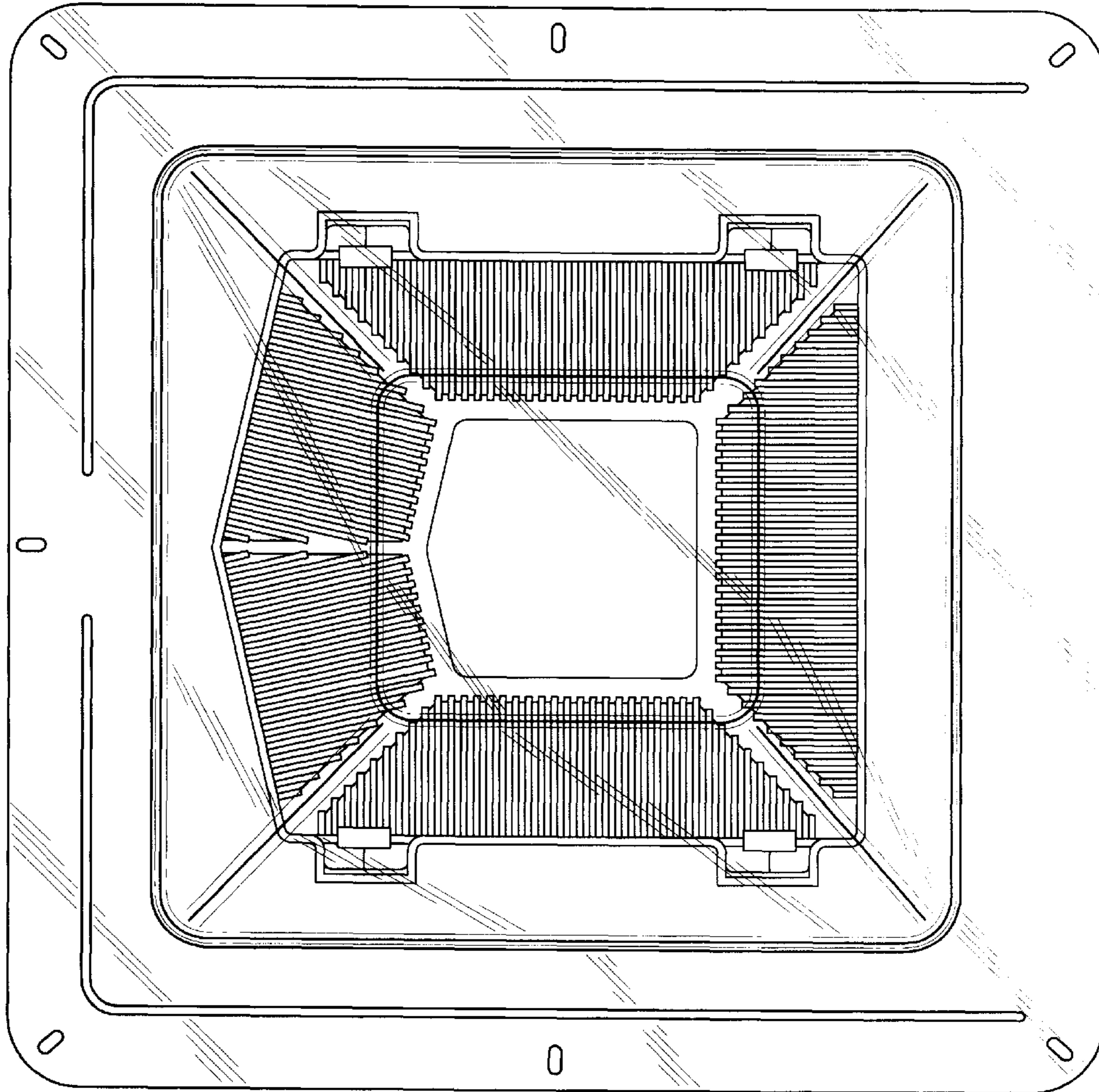


FIG-2

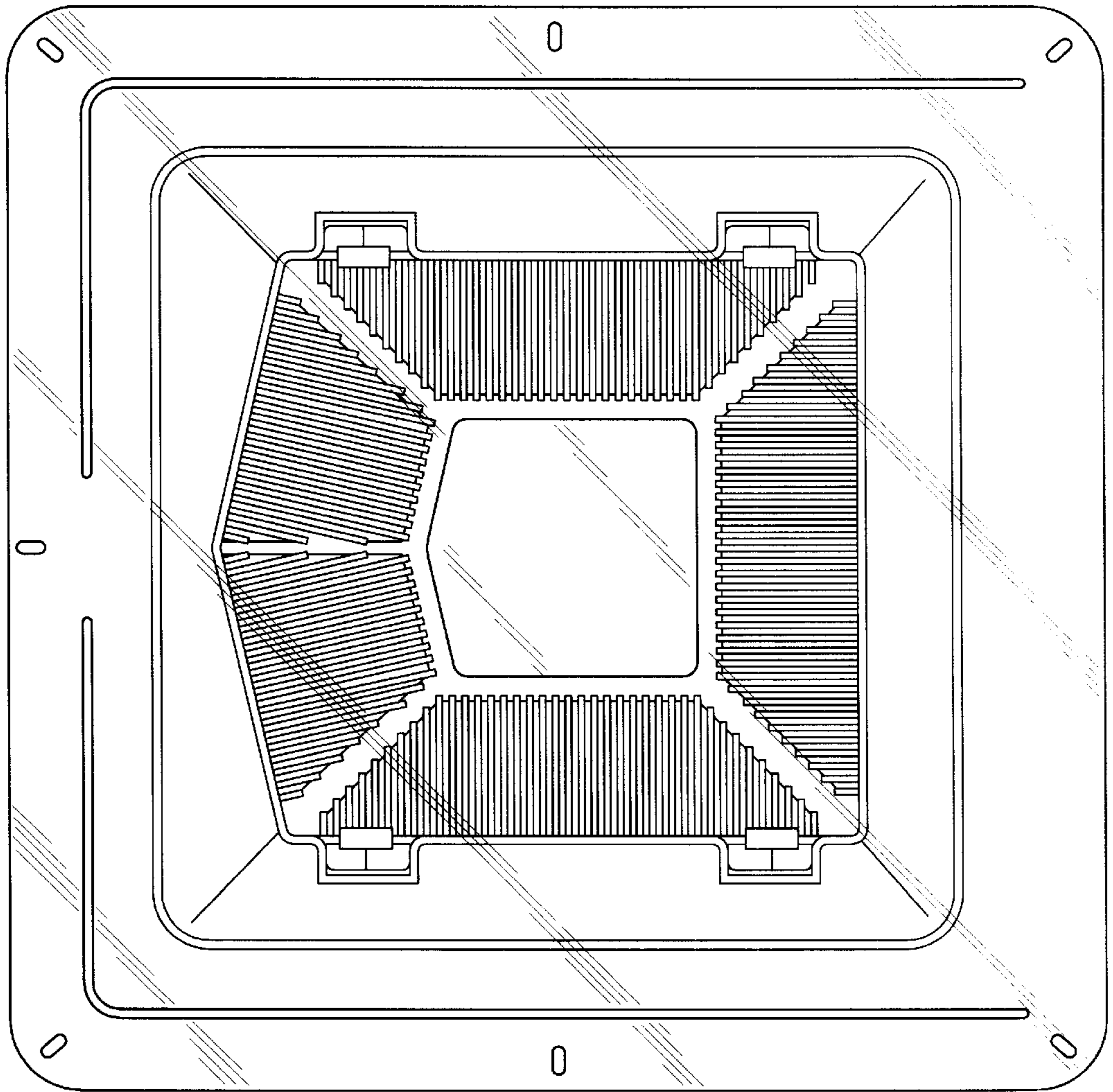


FIG-3

FIG-4

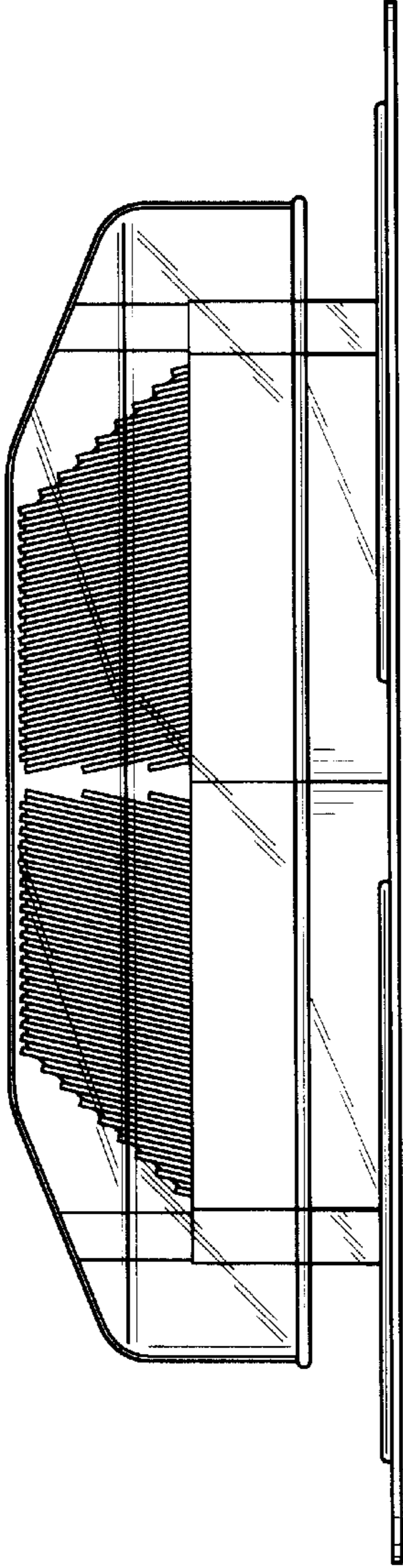


FIG-5

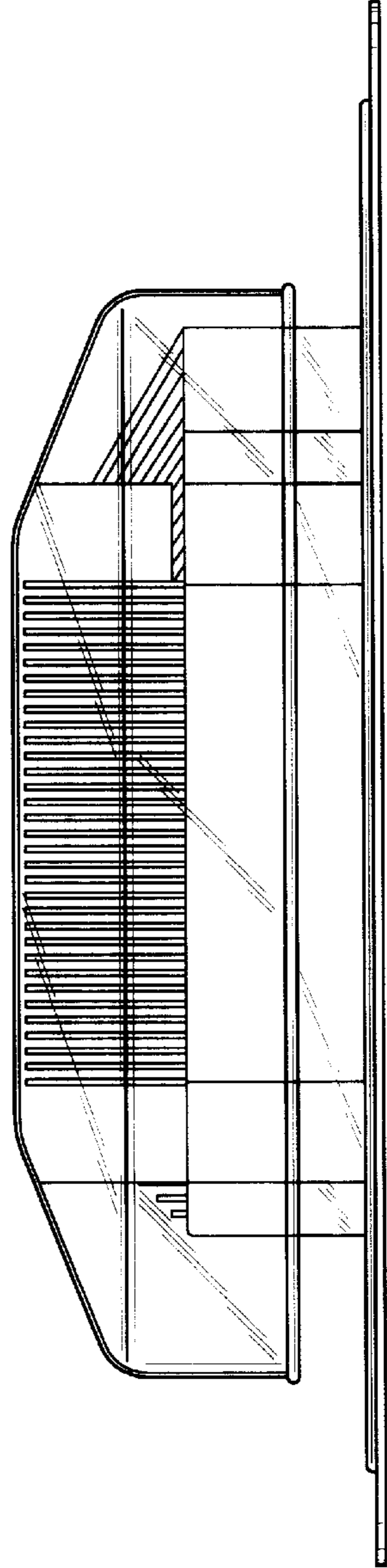
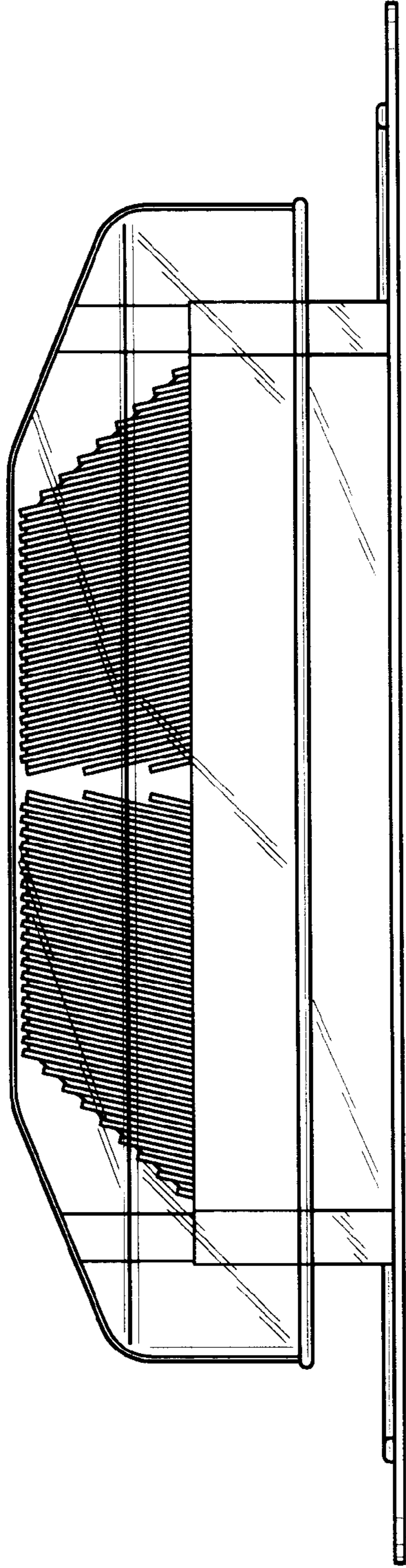


FIG-6





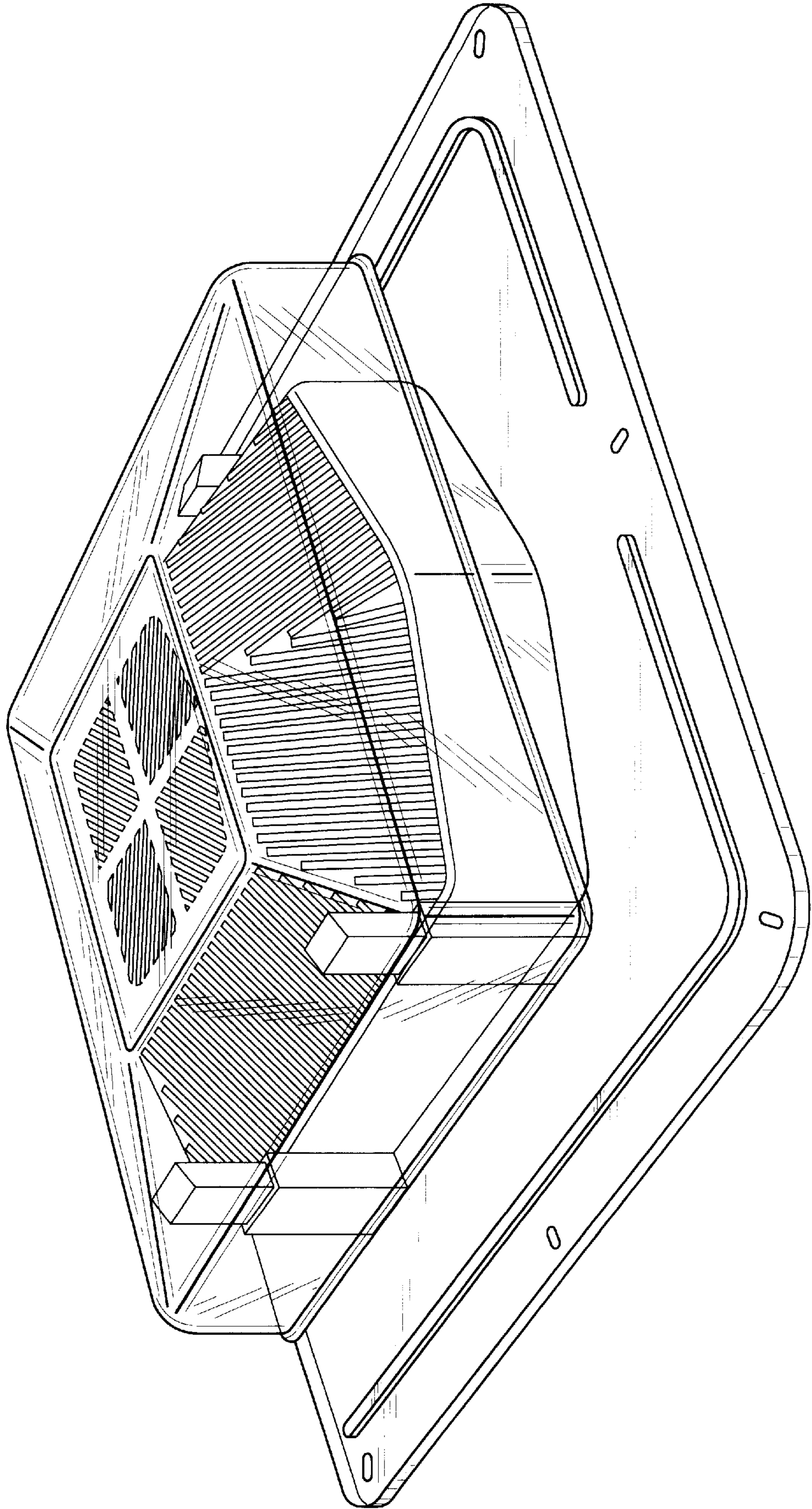


FIG-7

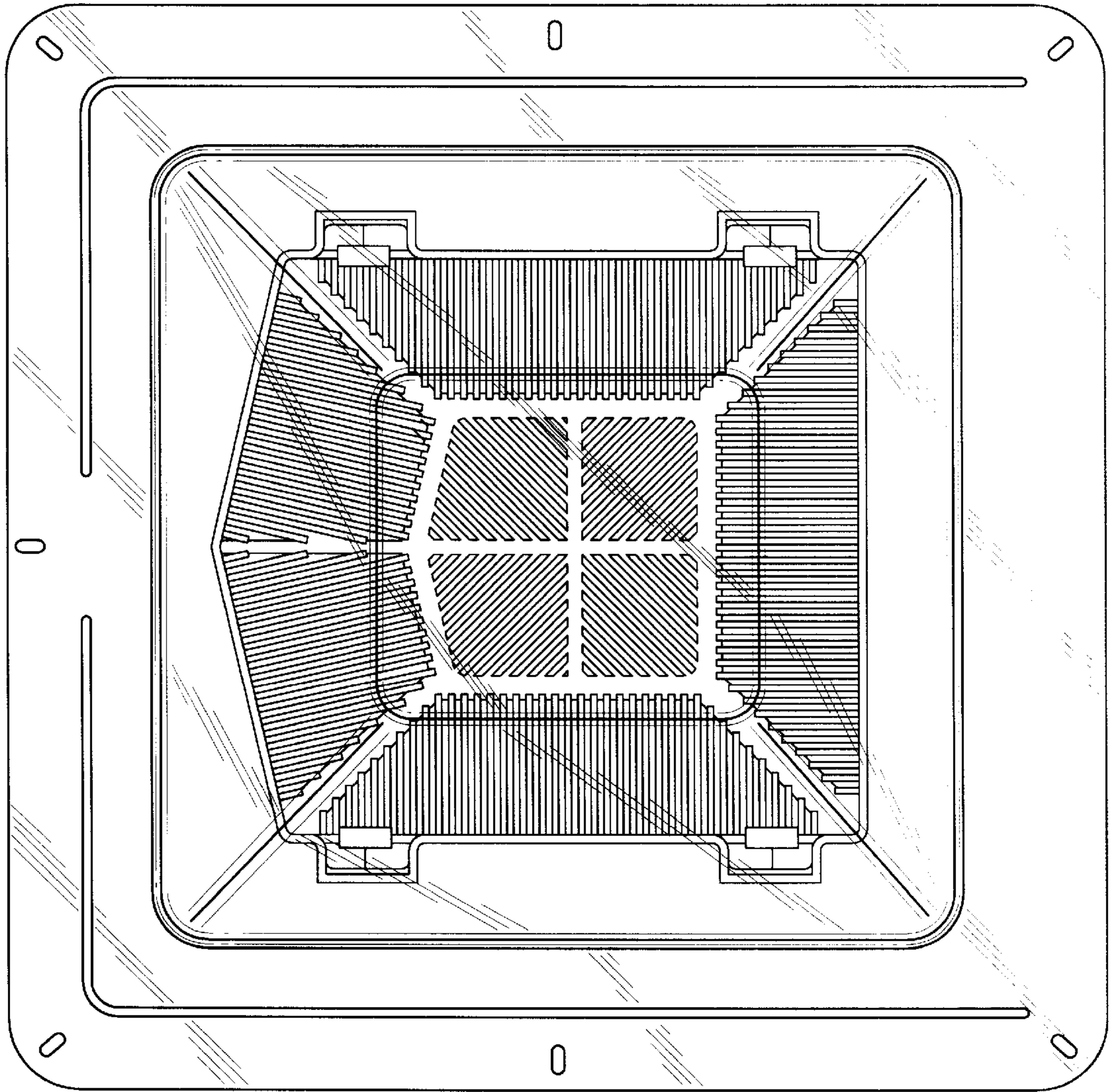


FIG-8



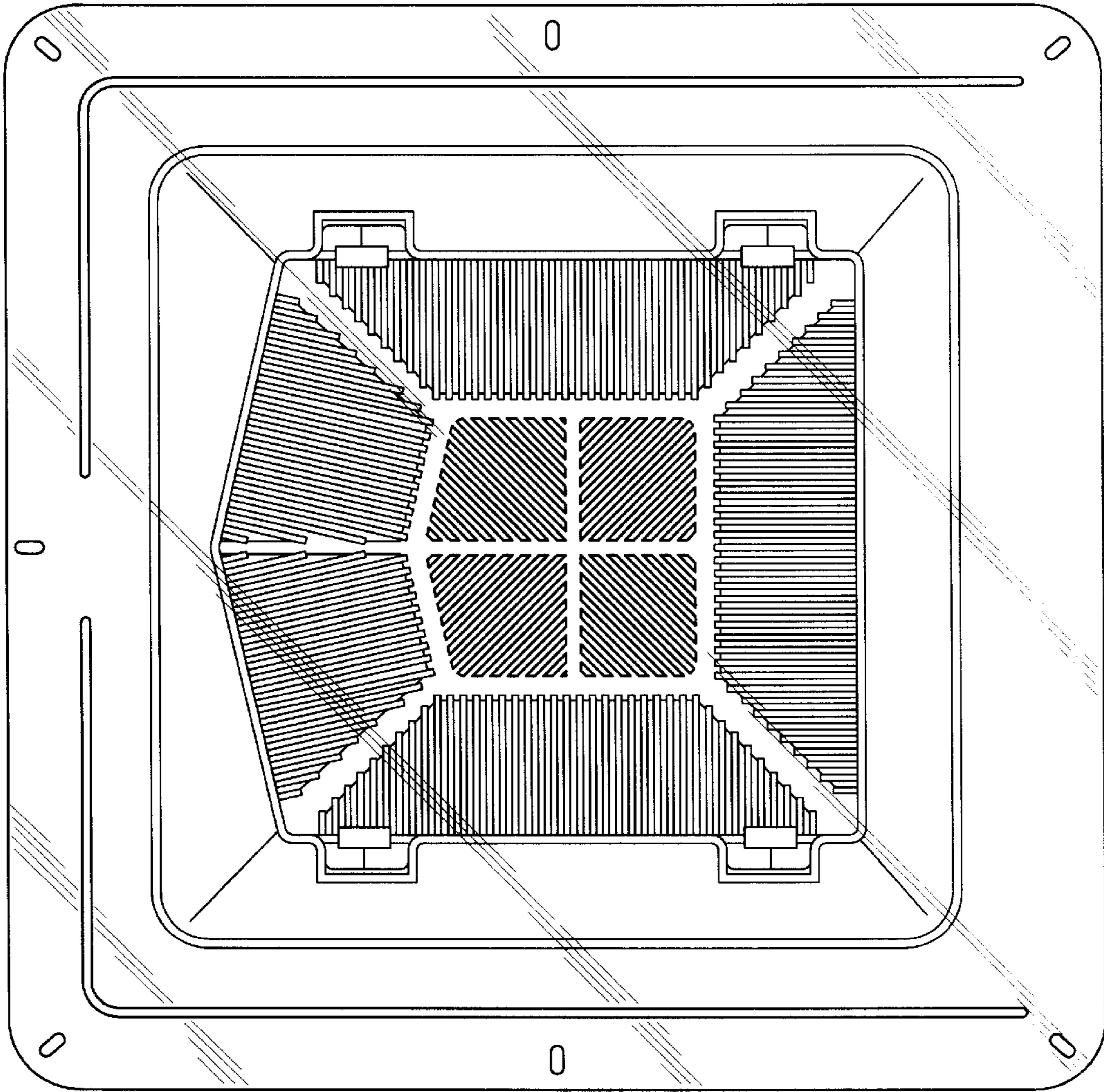


FIG-9

FIG-10

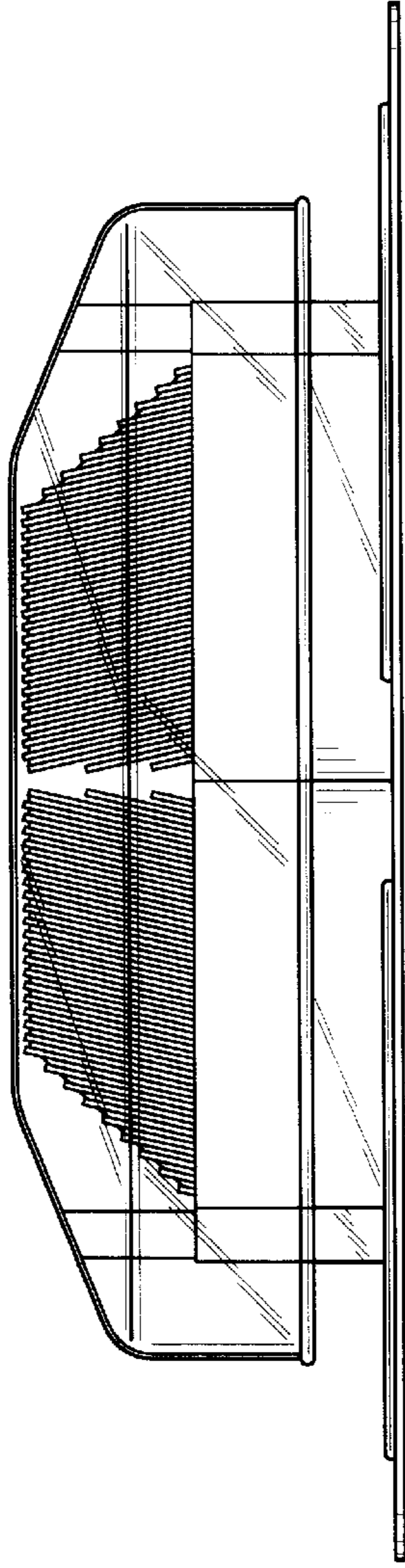


FIG-11

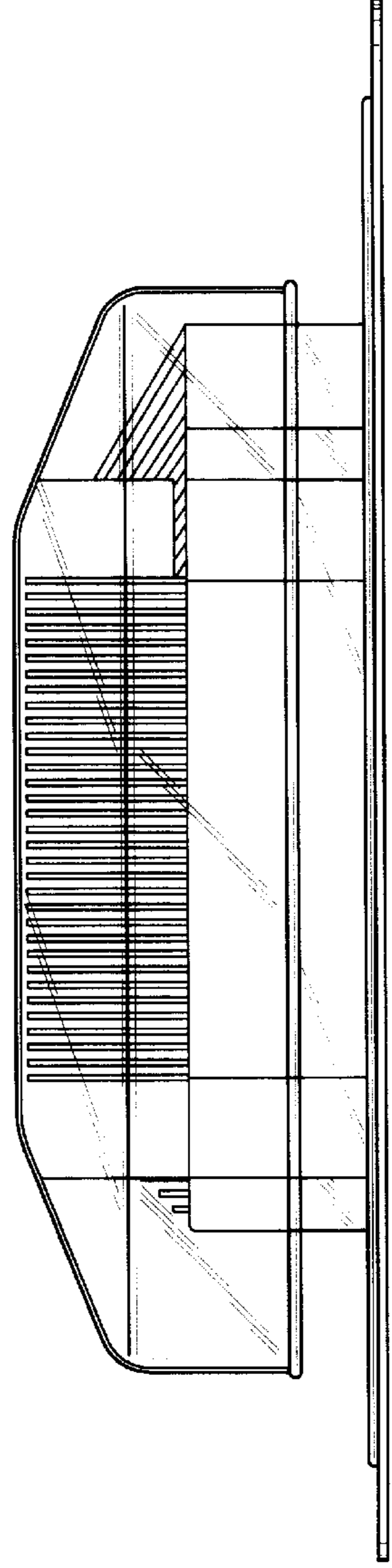


FIG-12

