



US00D431290S

**United States Patent** [19]  
**LaSpina et al.**

[11] **Patent Number: Des. 431,290**  
[45] **Date of Patent: \*\* Sep. 26, 2000**

[54] **CEILING FAN**

[75] Inventors: **Alfred J. LaSpina**, Methuen, Mass.;  
**Stephen M. Gatchell**, Warwick, R.I.

[73] Assignee: **Honeywell Inc.**, Minneapolis, Minn.

[\*\*] Term: **14 Years**

[21] Appl. No.: **29/090,732**

[22] Filed: **Jul. 15, 1998**

**Related U.S. Application Data**

[63] Continuation-in-part of application No. 29/086,975, Apr. 23, 1998, Pat. No. Des. 405,172.

[51] **LOC (7) Cl.** ..... **23-04**

[52] **U.S. Cl.** ..... **D23/377; D23/379; D23/385**

[58] **Field of Search** ..... **D23/377, 379, D23/385, 411, 413; 416/5; 392/364; 362/96; D26/81-86, 72, 59, 51**

[56] **References Cited**

**U.S. PATENT DOCUMENTS**

D. 358,877 5/1995 Buji ..... D23/377

**1 Claim, 3 Drawing Sheets**

*Primary Examiner*—Lisa Lichtenstein  
*Attorney, Agent, or Firm*—Robert B. Leonard

[57] **CLAIM**

The ornamental design for a ceiling fan, as shown and described.

**DESCRIPTION**

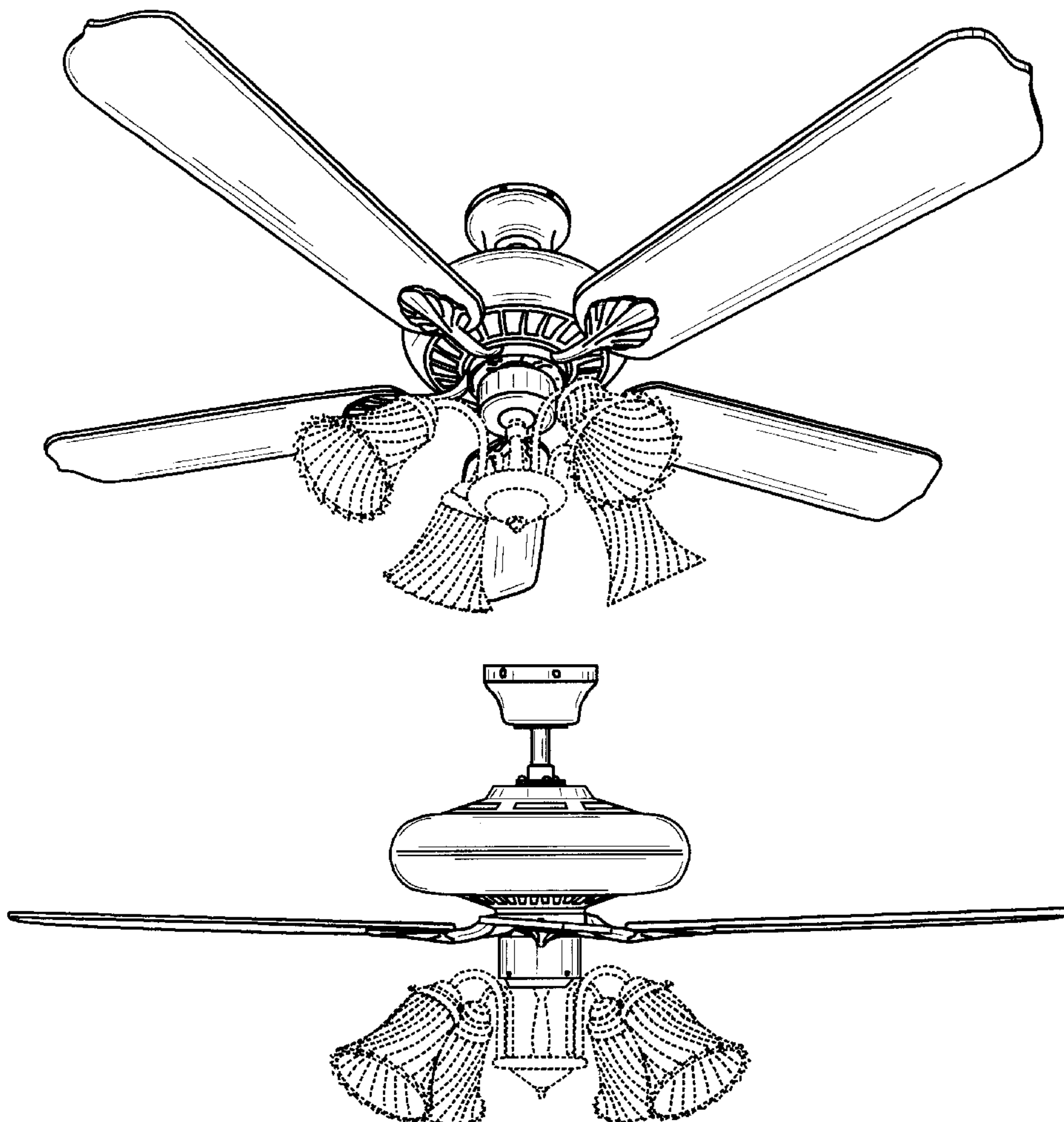
FIG. 1 is a perspective view of a ceiling fan showing our new design.

FIG. 2 is a front elevational view of the ceiling fan shown in FIG. 1, the opposite and adjacent sides being substantially mirror images of the front elevational view.

FIG. 3 is a top plan view of the ceiling fan shown in FIG. 1; and,

FIG. 4 is a bottom plan view of the ceiling fan shown in FIG. 1.

The broken-line showing of environmental structure in FIGS. 1-4 is for illustrative purposes only and forms no part of the claimed design.



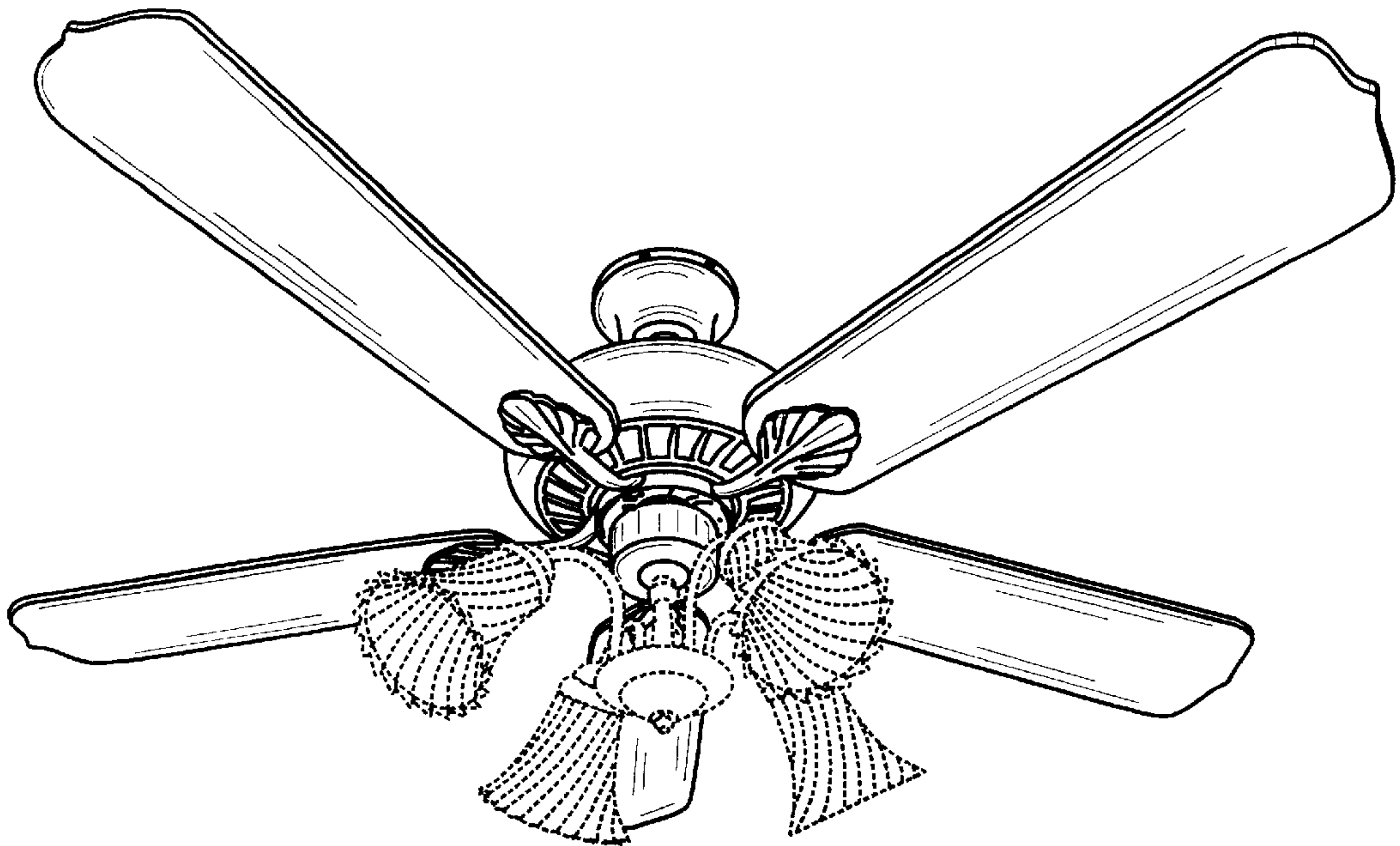


FIG. 1

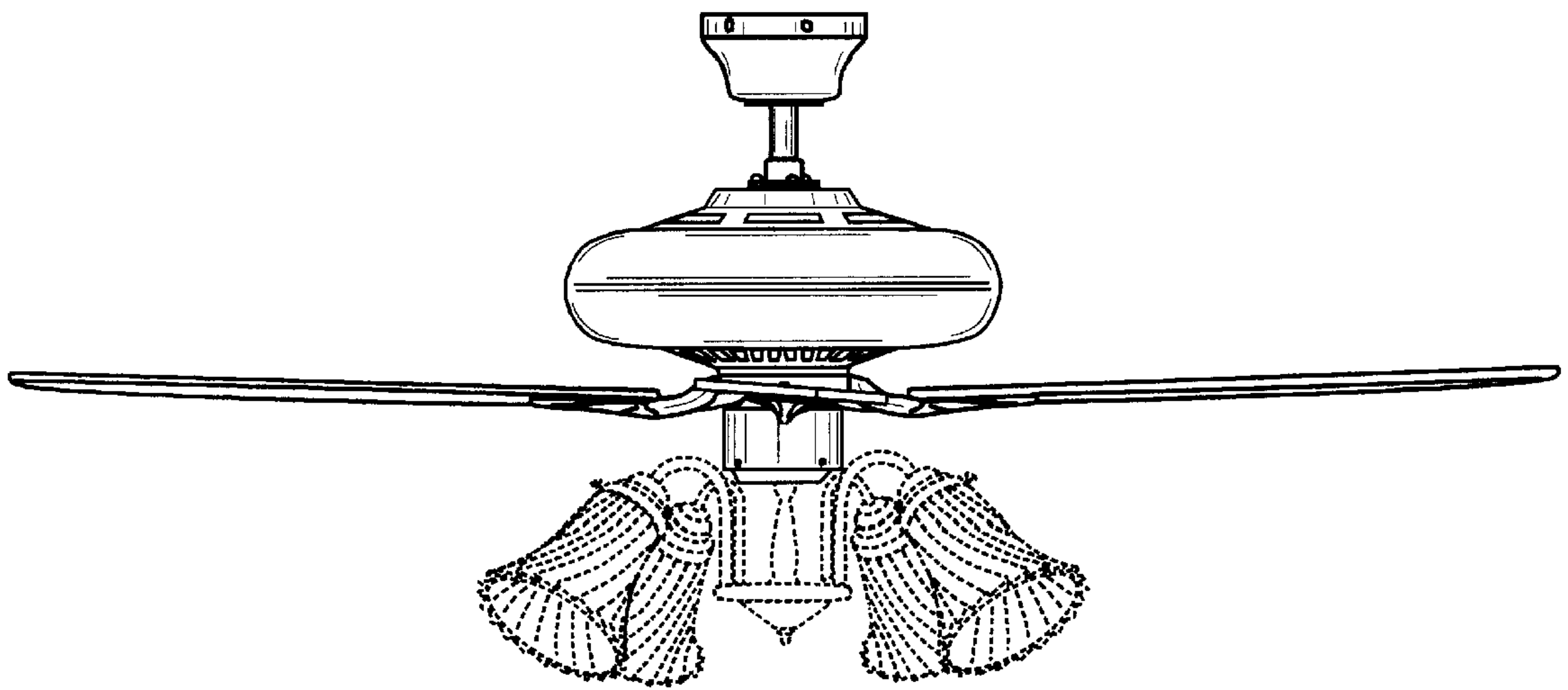


FIG. 2

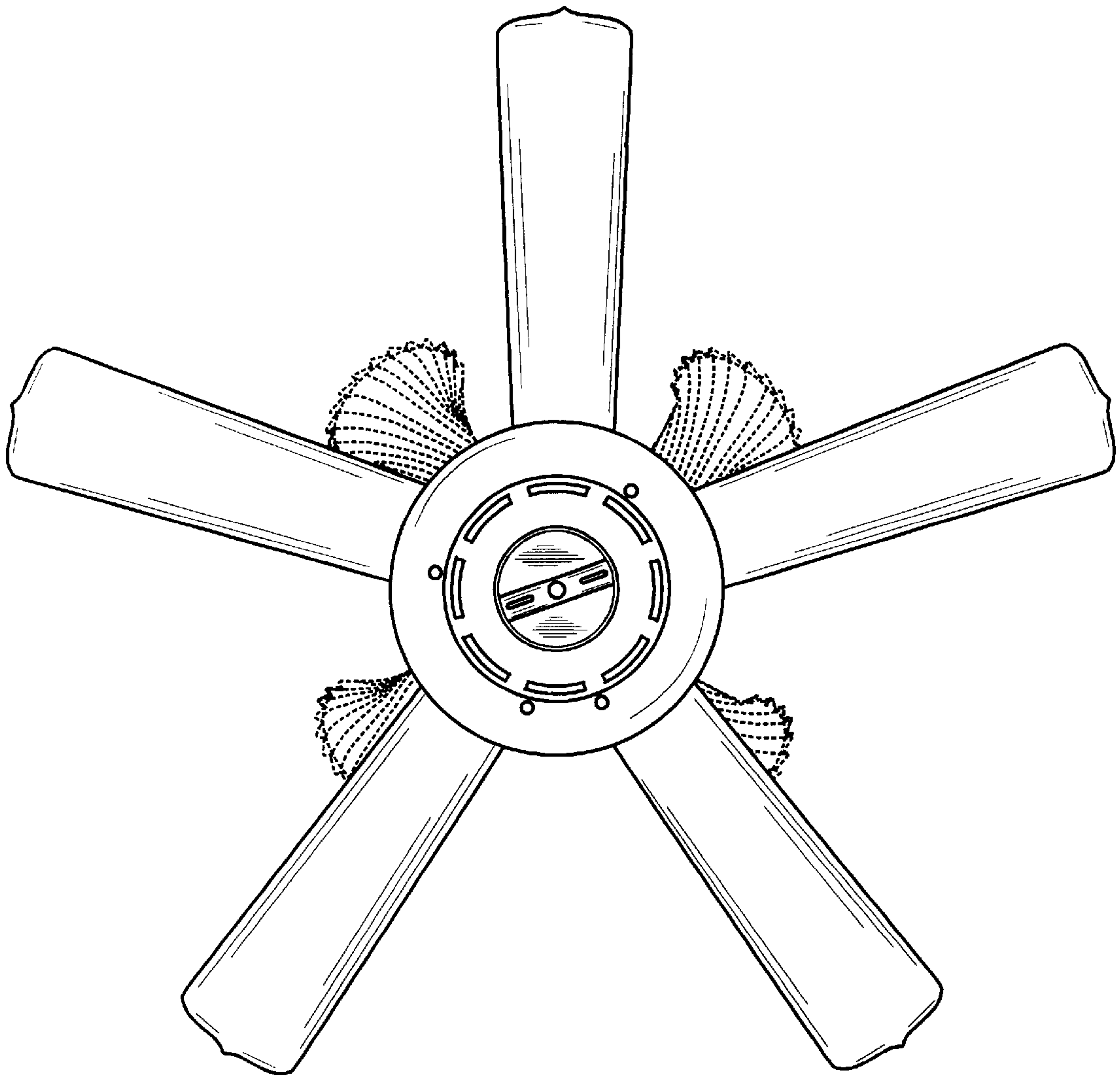


FIG. 3

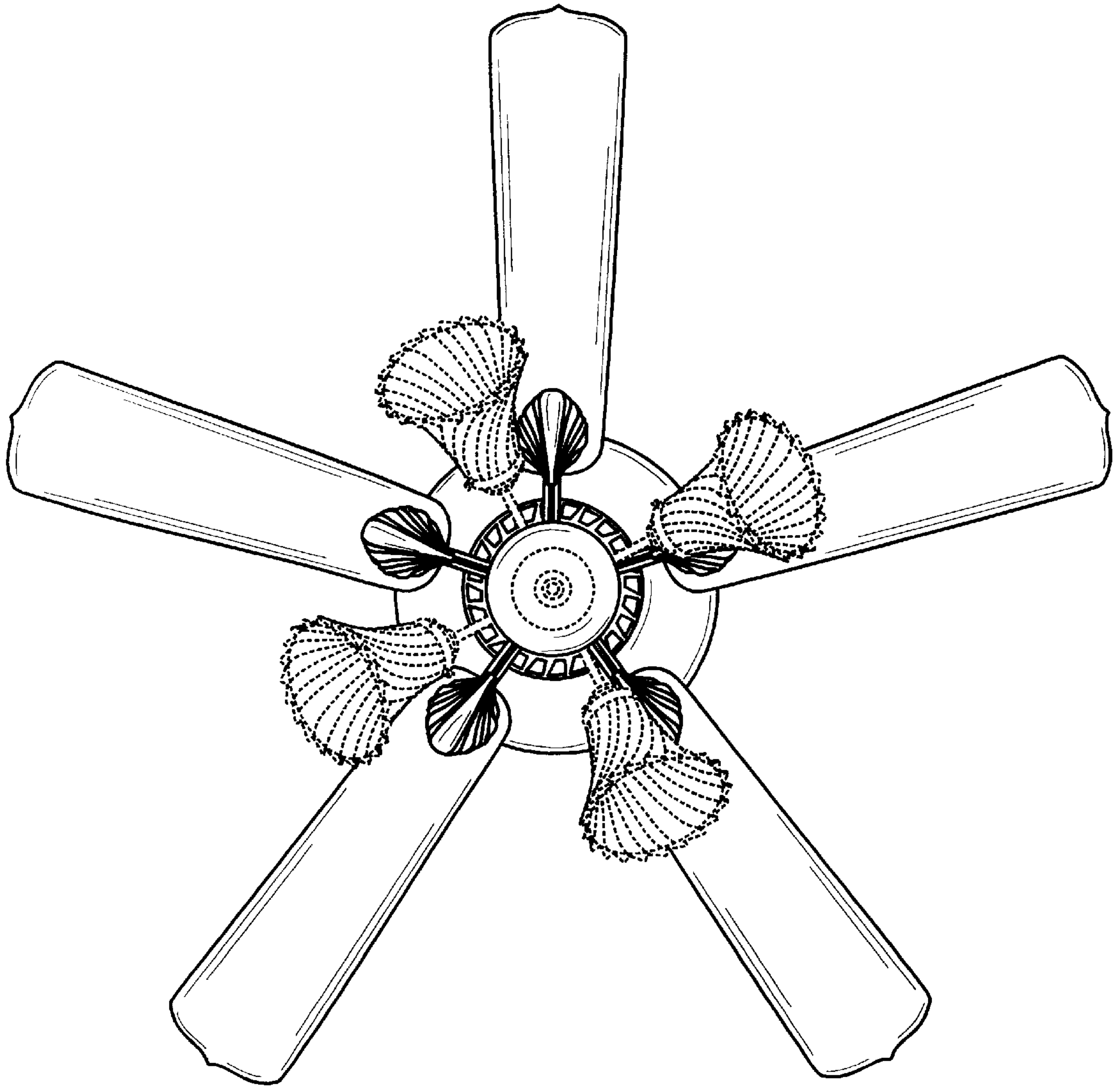


FIG. 4