



US00D431289S

United States Patent [19] Paquette

[11] Patent Number: **Des. 431,289**

[45] Date of Patent: **** Sep. 26, 2000**

[54] HEATING APPARATUS

[76] Inventor: **Bernard Paquette**, 202-380, Martindale Rd., Parksville, B.C., Canada, V9P 2H5

[**] Term: **14 Years**

[21] Appl. No.: **29/090,839**

[22] Filed: **Jul. 17, 1998**

[51] LOC (7) Cl. **23-03**

[52] U.S. Cl. **D23/350; D23/343**

[58] Field of Search D23/314, 342, D23/343, 358; 219/538, 540; 126/523, 58, 59, 65

[56] **References Cited**

U.S. PATENT DOCUMENTS

- D. 189,410 12/1960 Relation .
- D. 255,926 7/1980 Teeri .
- D. 265,120 6/1982 Henriques .
- 1,823,067 9/1931 Smalley .
- 2,432,400 12/1947 Eger .

- 3,453,417 7/1969 Hummel .
- 4,181,116 1/1980 Sedore 126/65
- 4,320,737 3/1982 Wolf 126/58
- 4,343,989 8/1982 Brosnan 219/540
- 5,050,579 9/1991 Melton et al. .
- 5,119,799 6/1992 Cowan 126/59

Primary Examiner—B. J. Bullock

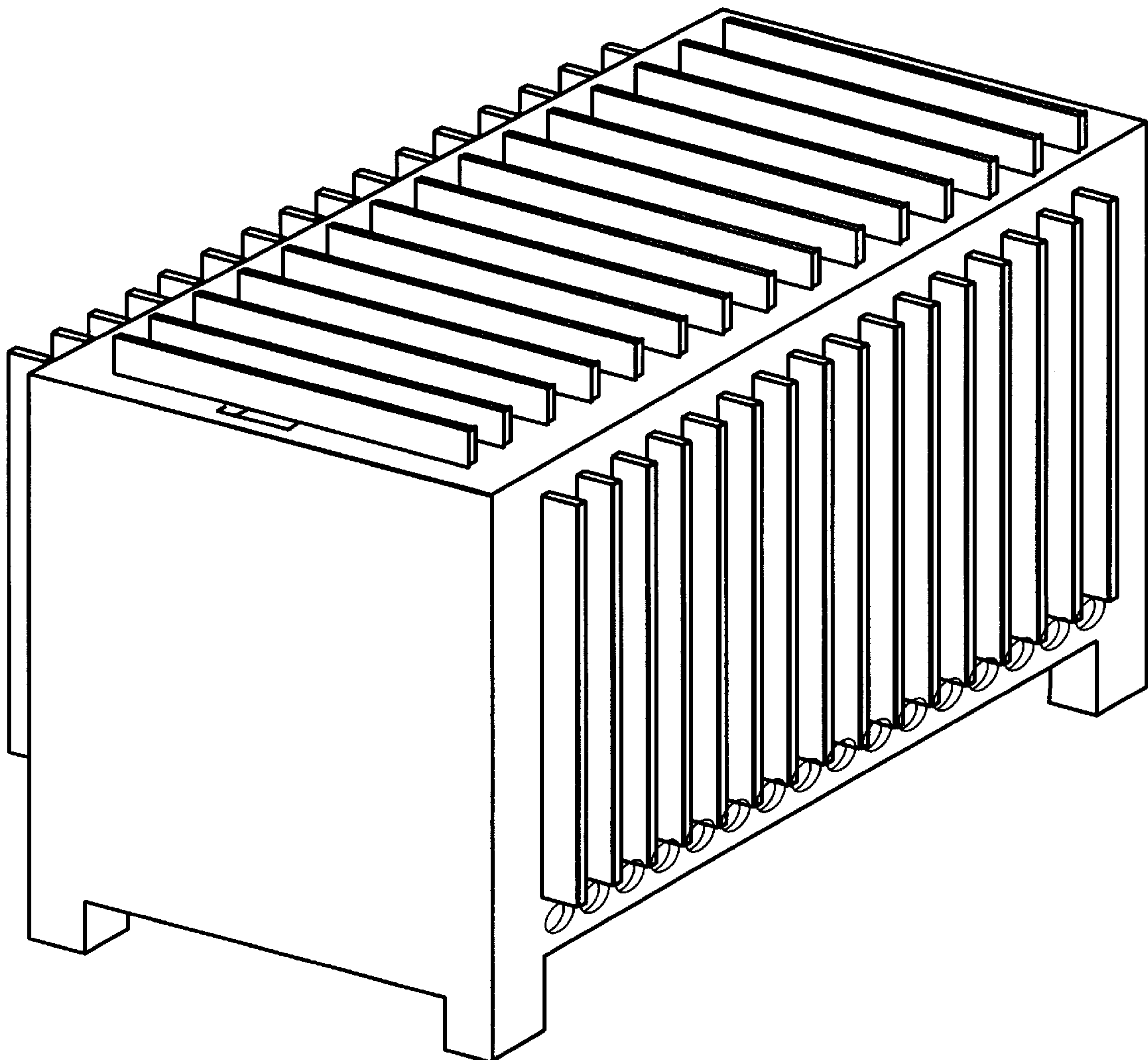
[57] **CLAIM**

The ornamental design for a heating apparatus, as shown and described.

DESCRIPTION

FIG. 1 is a view of the front face of the heating apparatus
 FIG. 2 is a view of the reverse face of the heating apparatus
 FIG. 3 is a view of the right face of the heating apparatus
 FIG. 4 is a view of the left face of the heating apparatus
 FIG. 5 is a view of the top face of the heating apparatus
 FIG. 6 is a view of the bottom face of the heating apparatus;
 and,
 FIG. 7 is an isometric view of the heating apparatus.

1 Claim, 4 Drawing Sheets



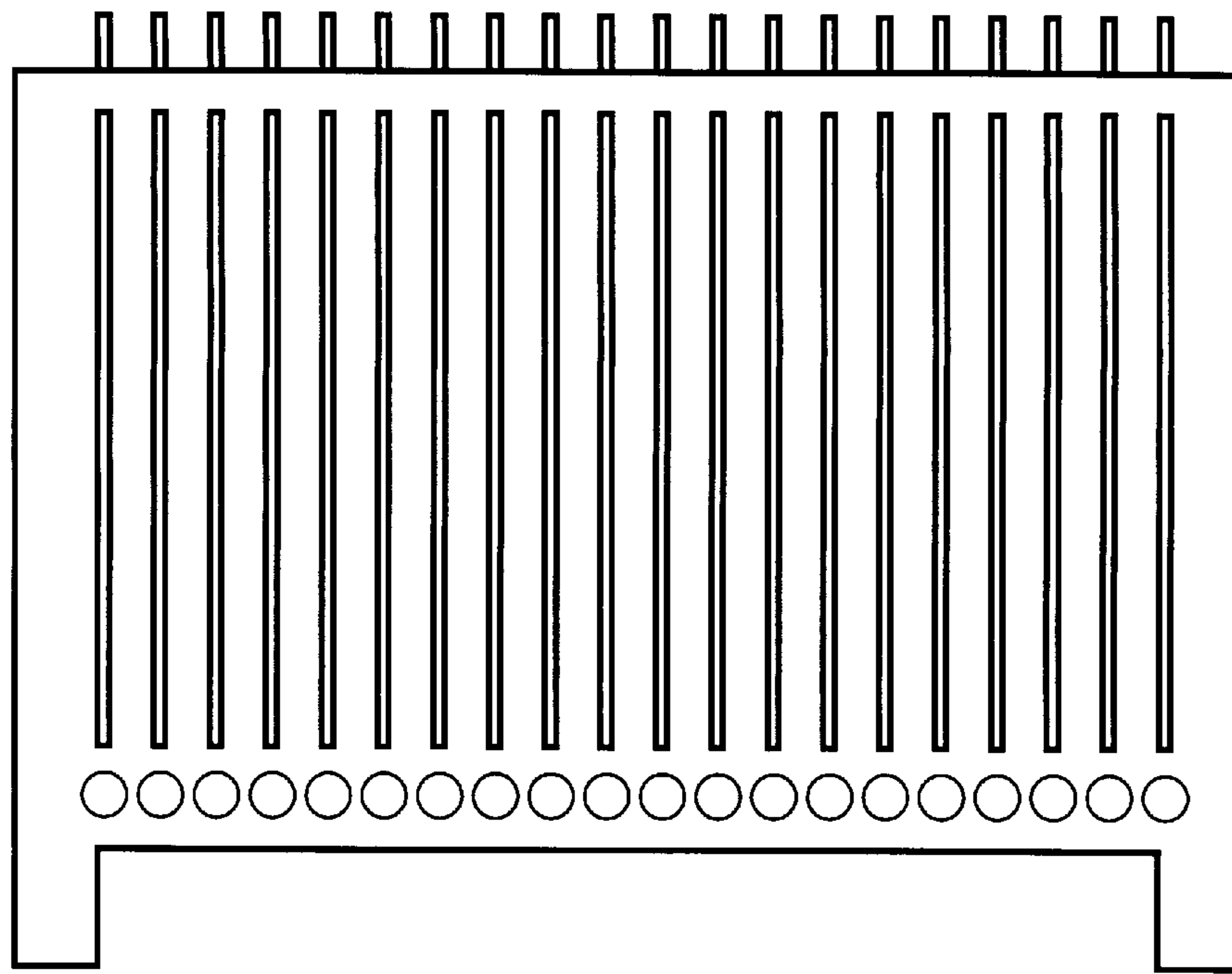


FIG 1

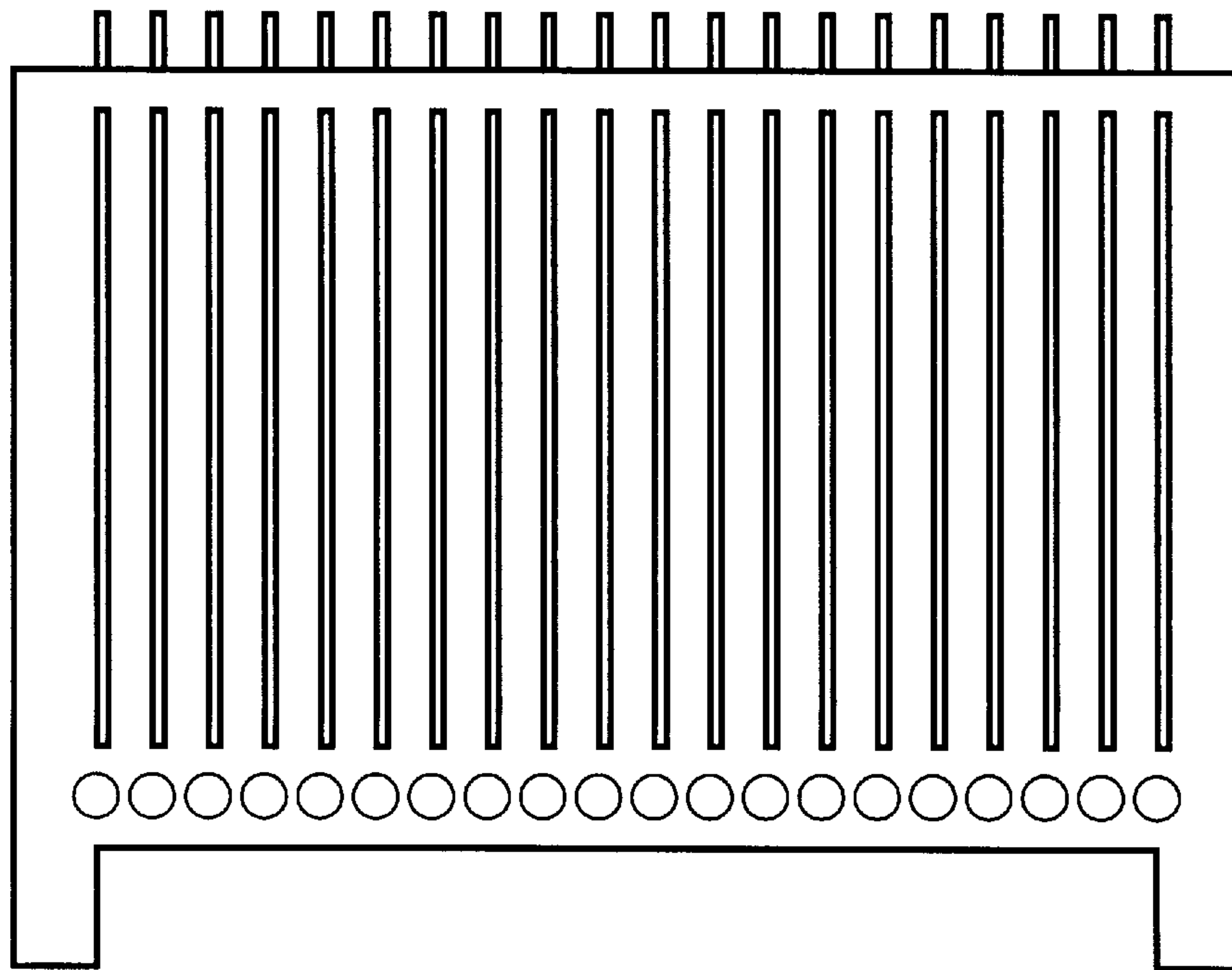


FIG 2

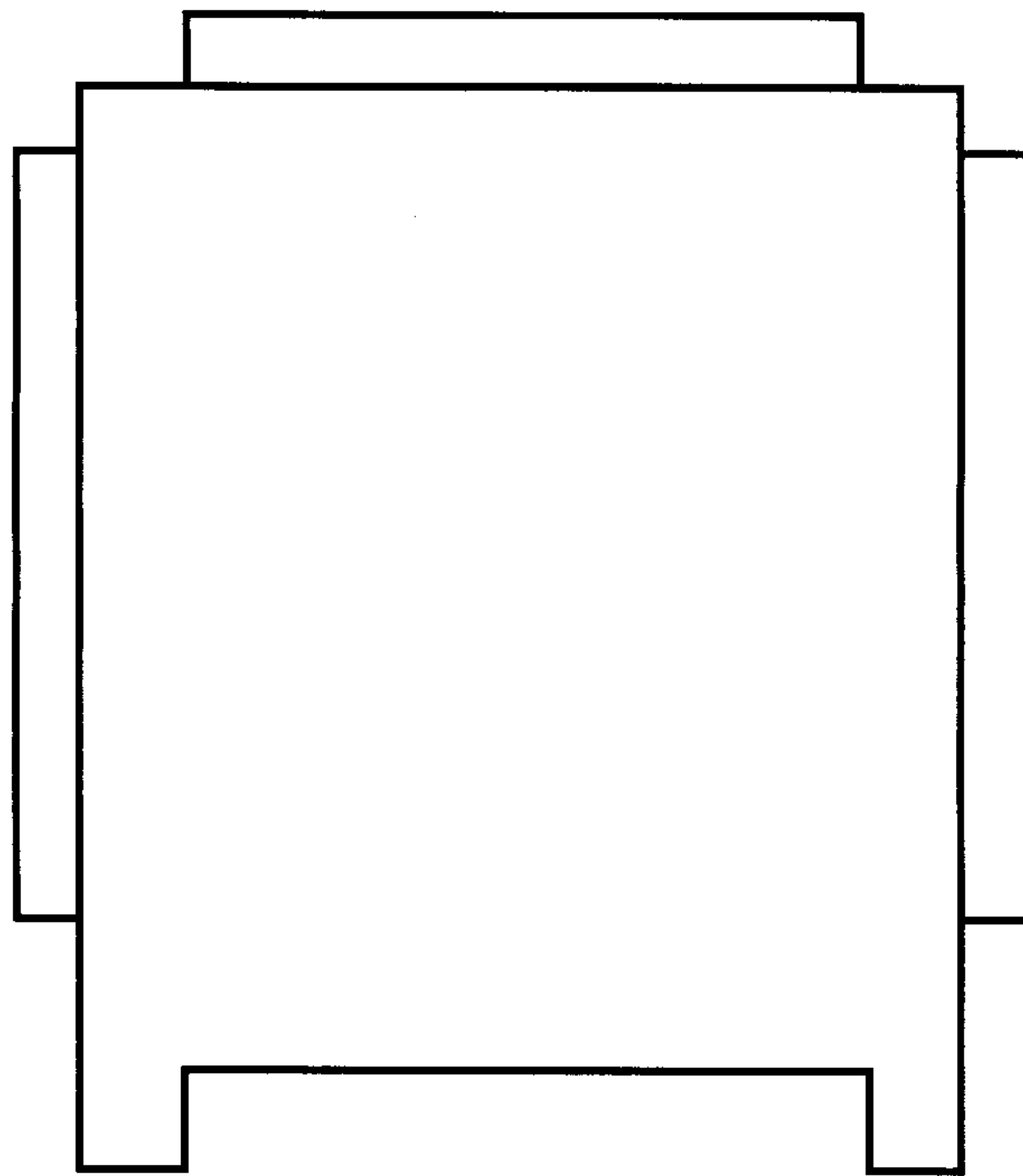


FIG 3

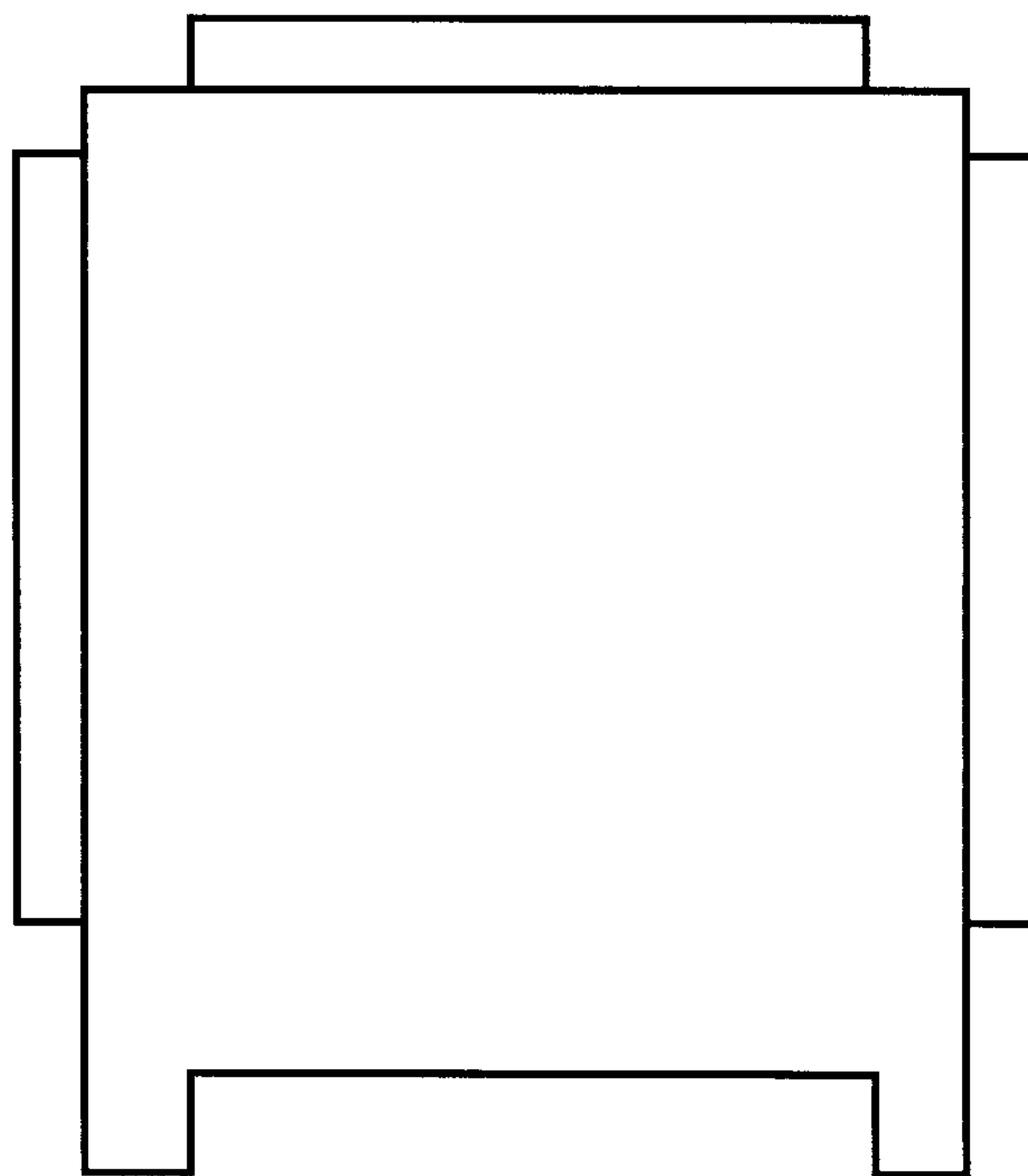


FIG 4

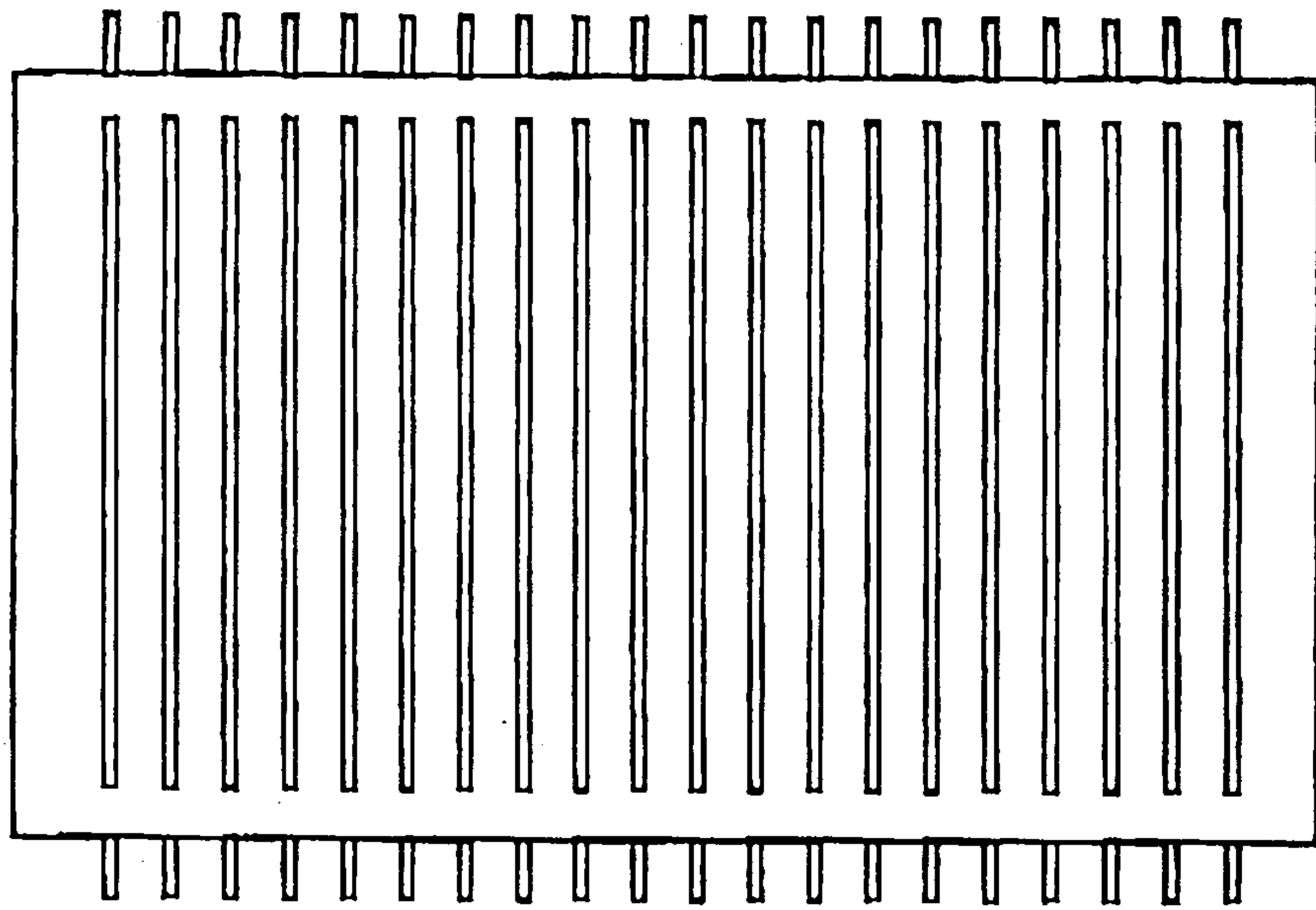


FIG 5

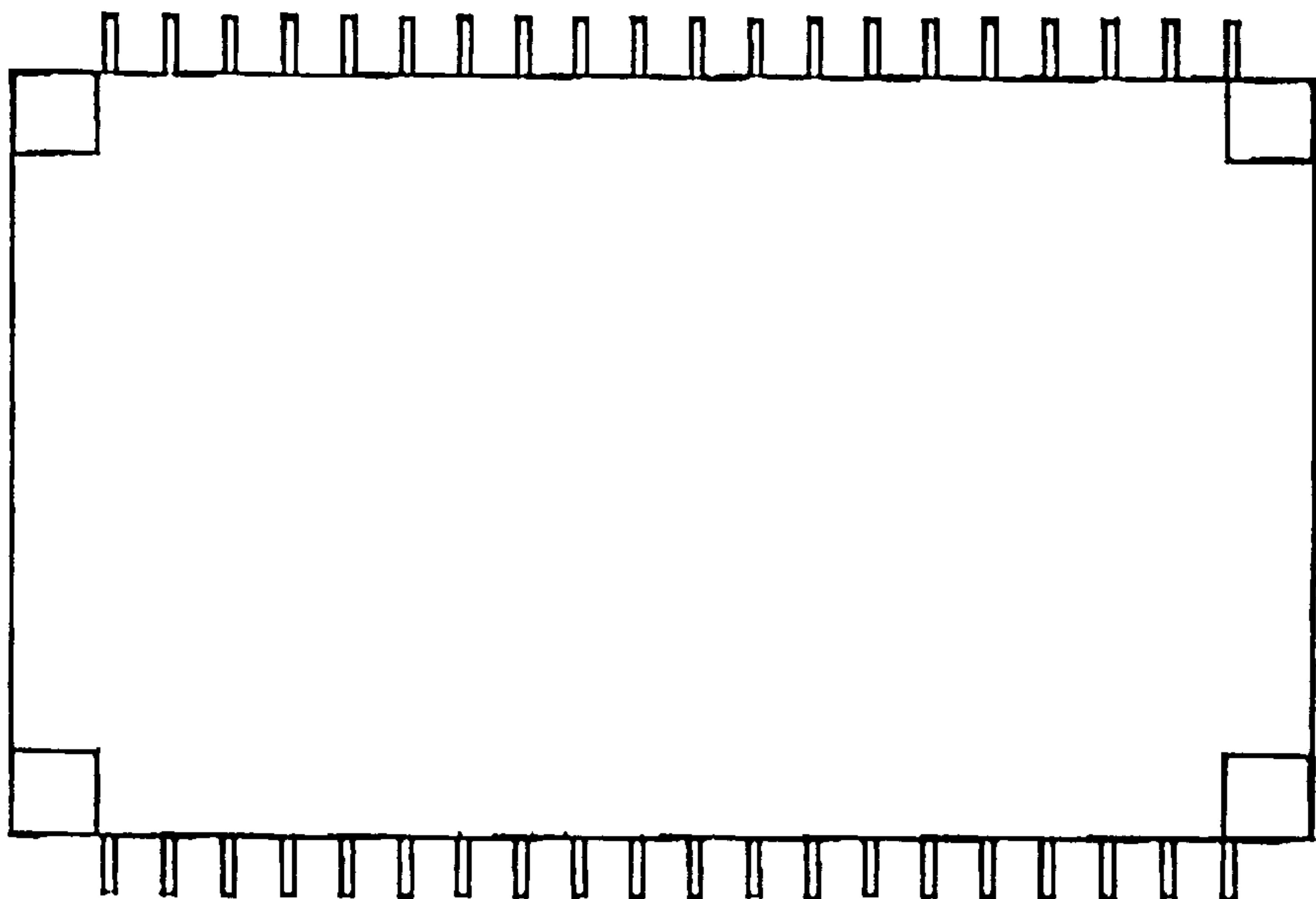


FIG 6

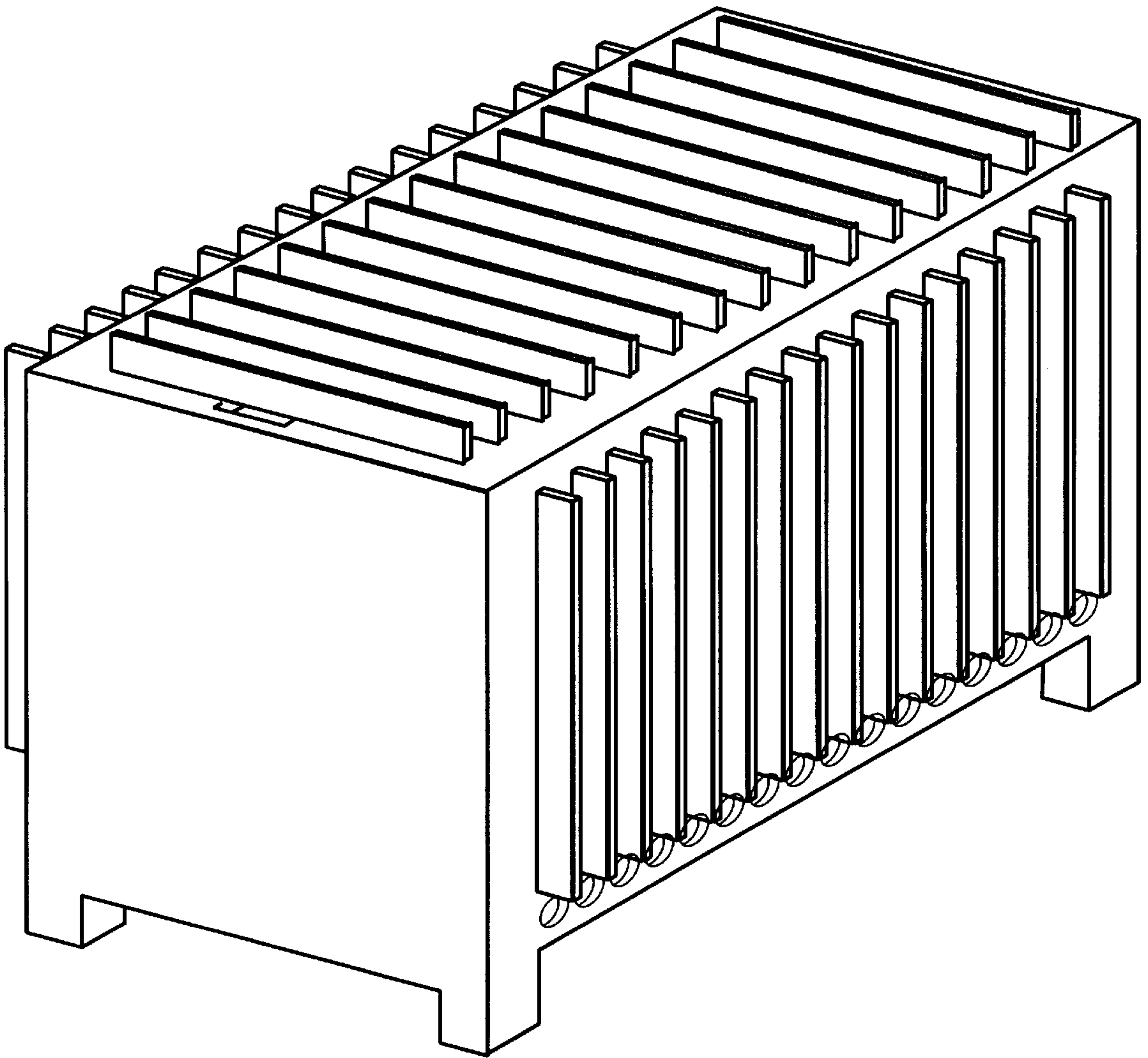


FIG 7