



US00D431286S

# United States Patent [19]

Kohler, Jr. et al.

[11] Patent Number: Des. 431,286

[45] Date of Patent: \*\* Sep. 26, 2000

[54] SINK

[75] Inventors: **Herbert V. Kohler, Jr.**, Kohler; **David J. O'Connell**, Sheboygan; **Mary J. Reid**, Sheboygan; **Erich D. Slothower**, Sheboygan; **Carl F. Mueller**, Sheboygan Falls; **Mark Johansen**; **John F. Quella**, both of Kohler, all of Wis.; **Mark H. Lowery**, Judsonia; **Robert L. Jackson**, Searcy, both of Ark.

[73] Assignee: **Kohler Co.**, Kohler, Wis.

[\*\*] Term: **14 Years**

[21] Appl. No.: **29/103,140**

[22] Filed: **Apr. 8, 1999**

[51] LOC (7) Cl. .... **23-03**

[52] U.S. Cl. .... **D23/284**

[58] Field of Search ..... D23/284-293.1,  
D23/308; 4/619-625, 626-630, 631-659

### [56] References Cited

#### U.S. PATENT DOCUMENTS

D. 295,068	4/1988	Kohler, Jr. et al. ....	D23/290
D. 296,003	5/1988	Garza .....	D23/290
D. 298,163	10/1988	Downs .....	D23/287
D. 323,879	2/1992	Sauter .....	D23/290
D. 324,902	3/1992	Kohler, Jr. et al. ....	D23/271
D. 325,625	4/1992	Sauter et al. ....	D23/290
D. 328,783	8/1992	Meulen et al. ....	D23/290
D. 331,965	12/1992	Sauter et al. ....	D23/287
D. 362,901	10/1995	Dannenberg et al. ....	D23/290

#### OTHER PUBLICATIONS

Undated Republic catalog ad, p. 3, showing a triple bowl kitchen sink, admitted prior art.

Undated Acriform catalog ad showing an "Advantage 2500" kitchen sink, admitted prior art.

Undated Elkay catalog ad showing a triple bowl kitchen sink, admitted prior art.

Undated Gustavsberg catalog ad showing a "Model 8300" kitchen sink, admitted prior art.

*Primary Examiner*—Doris Clark  
*Attorney, Agent, or Firm*—Quarles & Brady LLP

### [57] CLAIM

The ornamental design for a sink, as shown and described.

### DESCRIPTION

FIG. 1 is a right, top, front perspective view of a sink embodying our new design;

FIG. 2 is a top plan view thereof;

FIG. 3 is a front elevational view thereof, the rear elevational view being identical to the front elevational view shown;

FIG. 4 is a right side elevational view thereof, the left side elevational view being a mirror image of the right side shown;

FIG. 5 is a cross-sectional view taken along line 5—5 of FIG. 2; and,

FIG. 6 is a cross-sectional view taken along line 6—6 of FIG. 2.

The broken line representation of holes in FIGS. 1, 2, and 6 is for the purpose of illustration only, and forms no part of the claimed design.

A characteristic feature of our claimed design resides in a generally rectangular, elevated rear mounting ledge extending from side to side along the back of the basin.

**1 Claim, 4 Drawing Sheets**

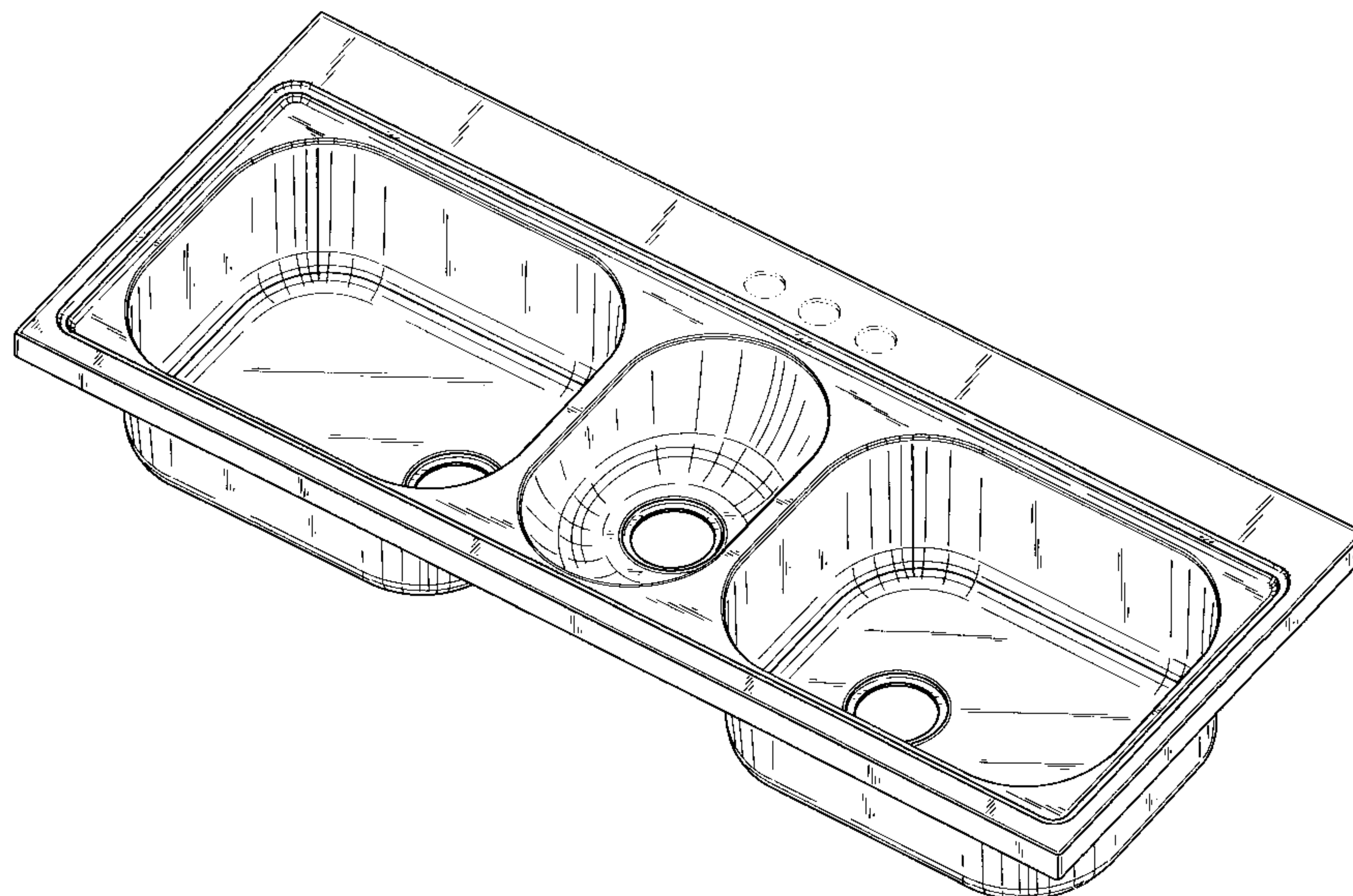


FIG. 1

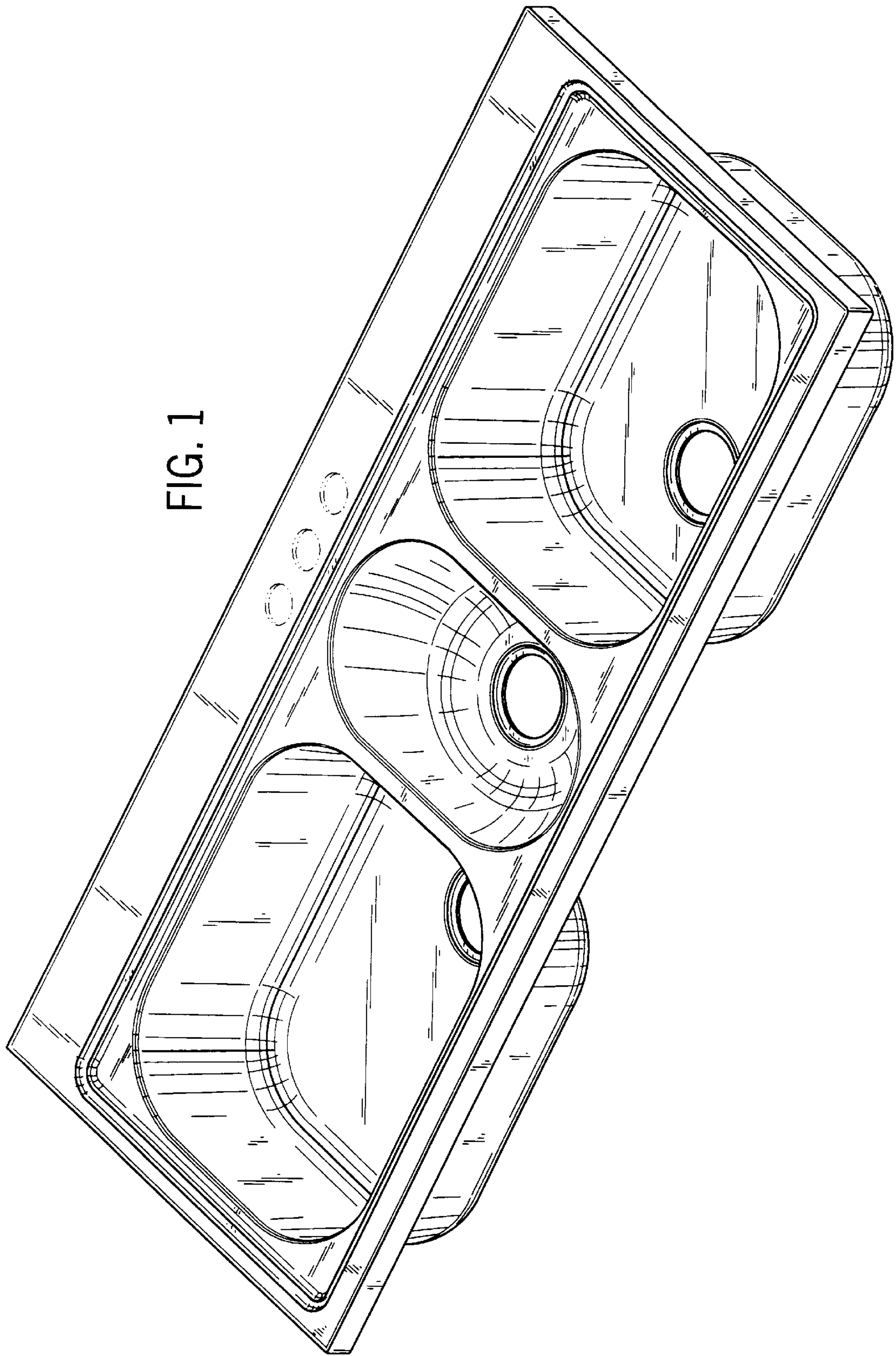




FIG. 2

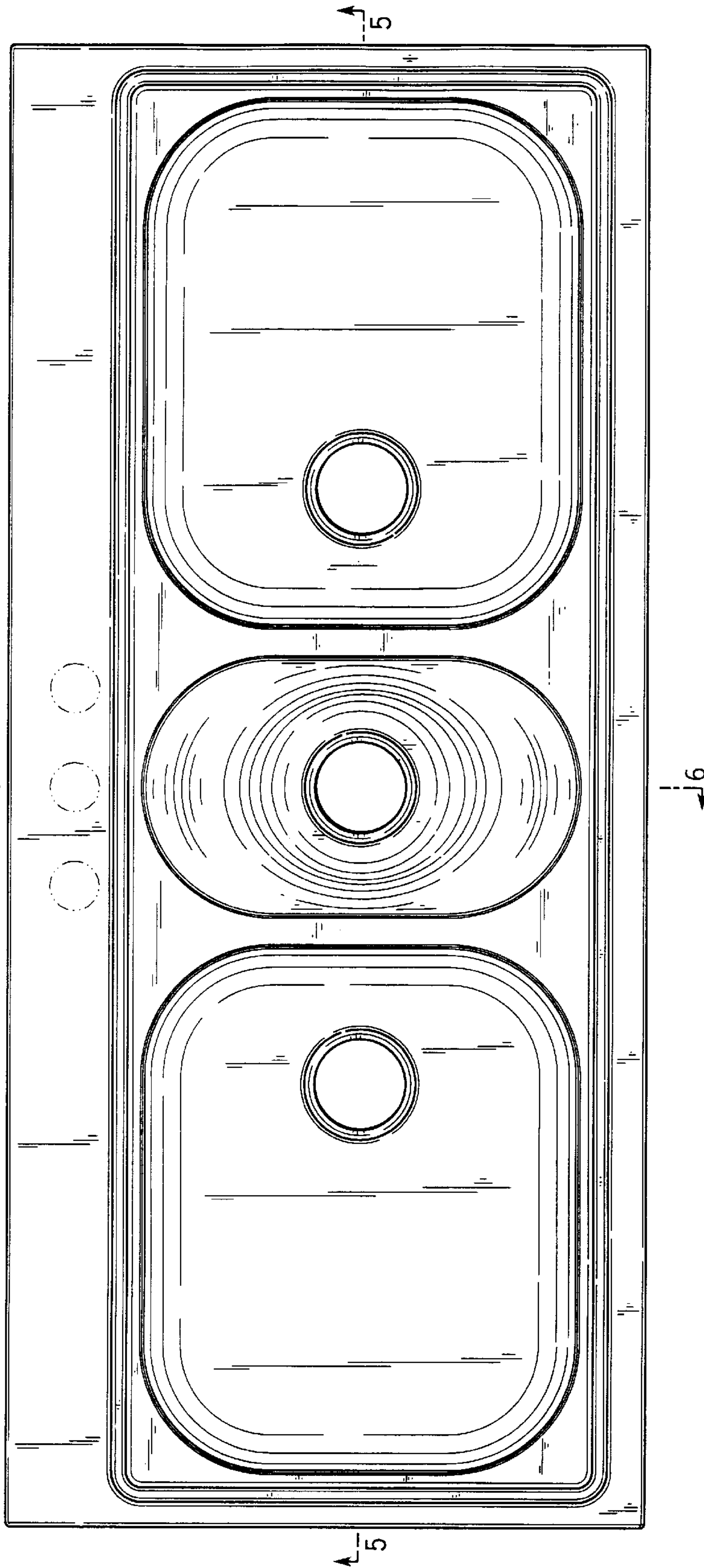


FIG. 3

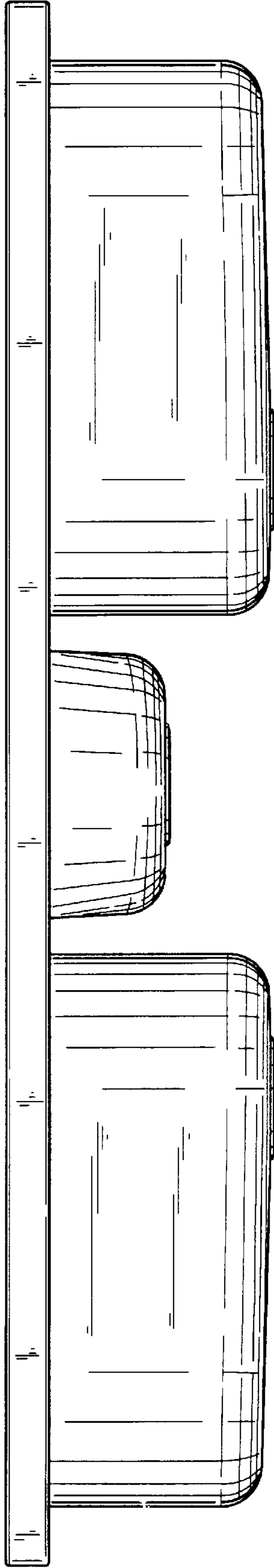


FIG. 4

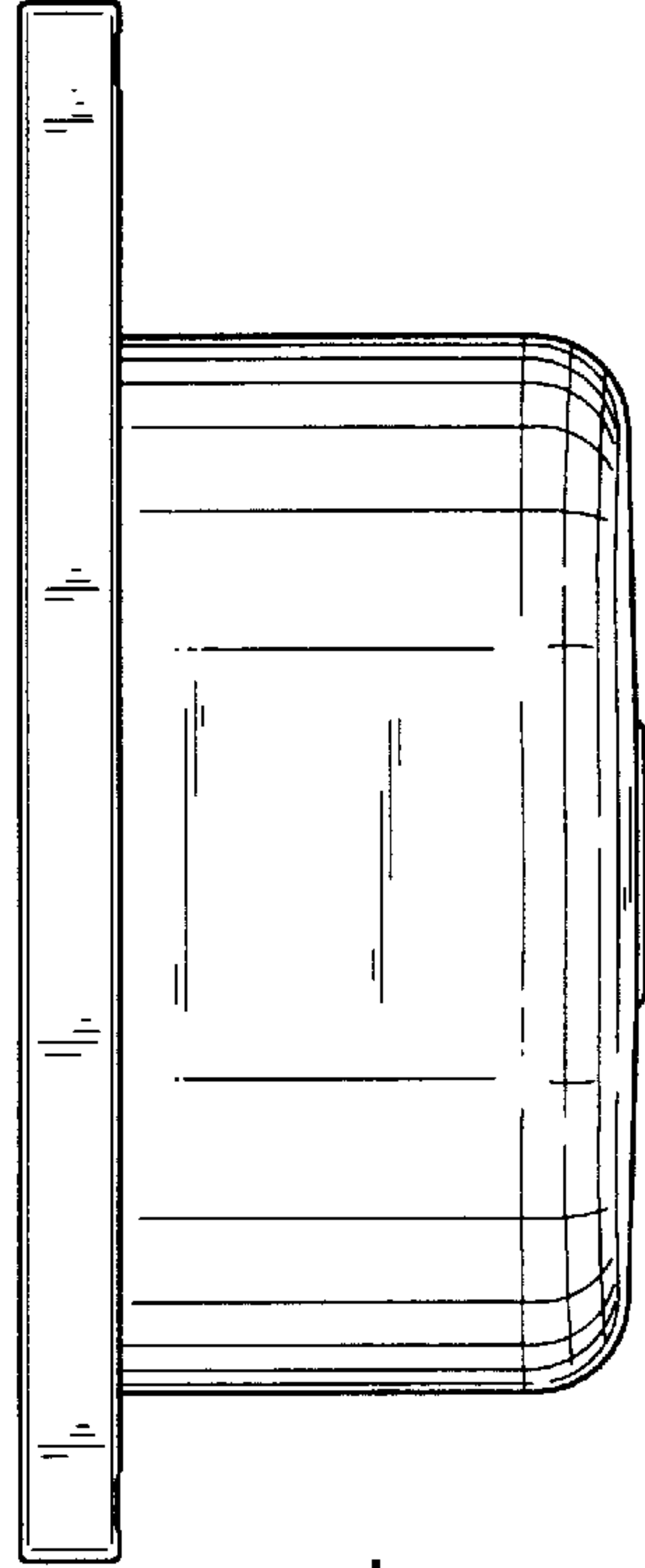


FIG. 5

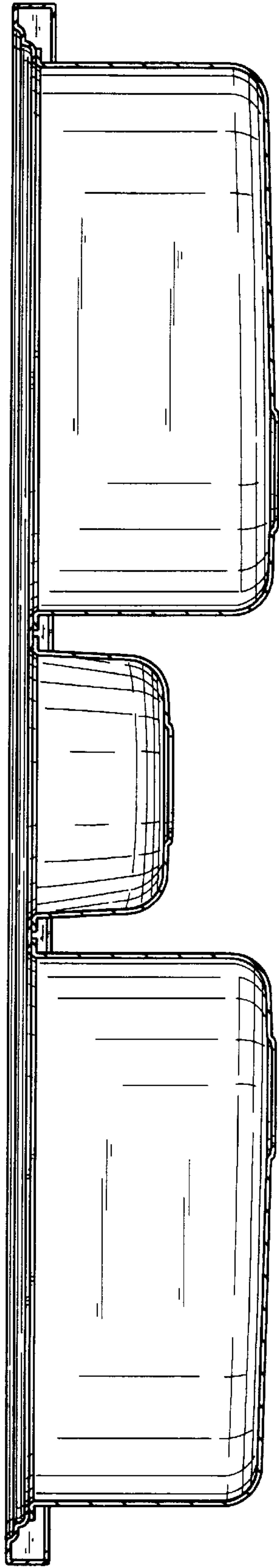


FIG. 6

