



US00D431285S

# United States Patent [19]

Paterson et al.

[11] Patent Number: Des. 431,285

[45] Date of Patent: \*\* Sep. 26, 2000

## [54] AUTOMATIC FAUCET WITH MATED HOUSING

[75] Inventors: **Graham H. Paterson**, Wilmington; **Willard A. Denham**, Greenville, both of Del.; **Emil Vulcu**, Elkins Park, Pa.

[73] Assignee: **Speakman Company**, Wilmington, Del.

[\*\*] Term: **14 Years**

[21] Appl. No.: **29/110,605**

[22] Filed: **Sep. 9, 1999**

### Related U.S. Application Data

[63] Continuation-in-part of application No. 09/261,585, Mar. 3, 1999.

[51] **LOC (7) Cl.** ..... **23-01**

[52] **U.S. Cl.** ..... **D23/255; D23/249**

[58] **Field of Search** ..... **D23/238-243, D23/250-257; 4/675-678; 137/801**

### [56] References Cited

#### U.S. PATENT DOCUMENTS

D. 297,972	10/1988	Yost	.....	D23/255
D. 341,875	11/1993	Allen et al.	.....	D23/255
D. 352,547	11/1994	McKeone	.....	D23/255
D. 361,827	8/1995	Doughty et al.	.....	D23/241
D. 369,651	5/1996	Saadi et al.	.....	D23/255
D. 381,396	7/1997	Paterson et al.	.....	D23/238
3,836,417	9/1974	Yaeger	.	
3,889,038	6/1975	Wiczer	.	
4,356,574	11/1982	Johnson	.	
4,735,357	4/1988	Gregory et al.	.	
4,762,273	8/1988	Gregory et al.	.	
4,886,207	12/1989	Lee et al.	.	

4,896,046	1/1990	Efferding	.	
4,921,211	5/1990	Novak et al.	.	
4,955,535	9/1990	Tsutsui et al.	.	
4,997,618	3/1991	Efferding	.	
5,025,516	6/1991	Wilson	.	
5,033,715	7/1991	Chiang et al.	.	
5,131,428	7/1992	Bory	.	
5,169,118	12/1992	Whiteside	.	
5,224,509	7/1993	Tanaka et al.	.	
5,243,717	9/1993	Yasuo	.	
5,311,367	5/1994	Ohki et al.	.	
5,504,950	4/1996	Natalizia et al.	.	
5,578,675	11/1996	Mormile et al.	.	
5,586,746	12/1996	Humpert et al.	.	
5,618,023	4/1997	Eichholz et al.	.	
5,961,095	10/1999	Schrott	.....	137/801

*Primary Examiner*—Louis S. Zarfaz  
*Assistant Examiner*—Gregory Andoll  
*Attorney, Agent, or Firm*—Connolly Bove Lodge & Hutz LLP

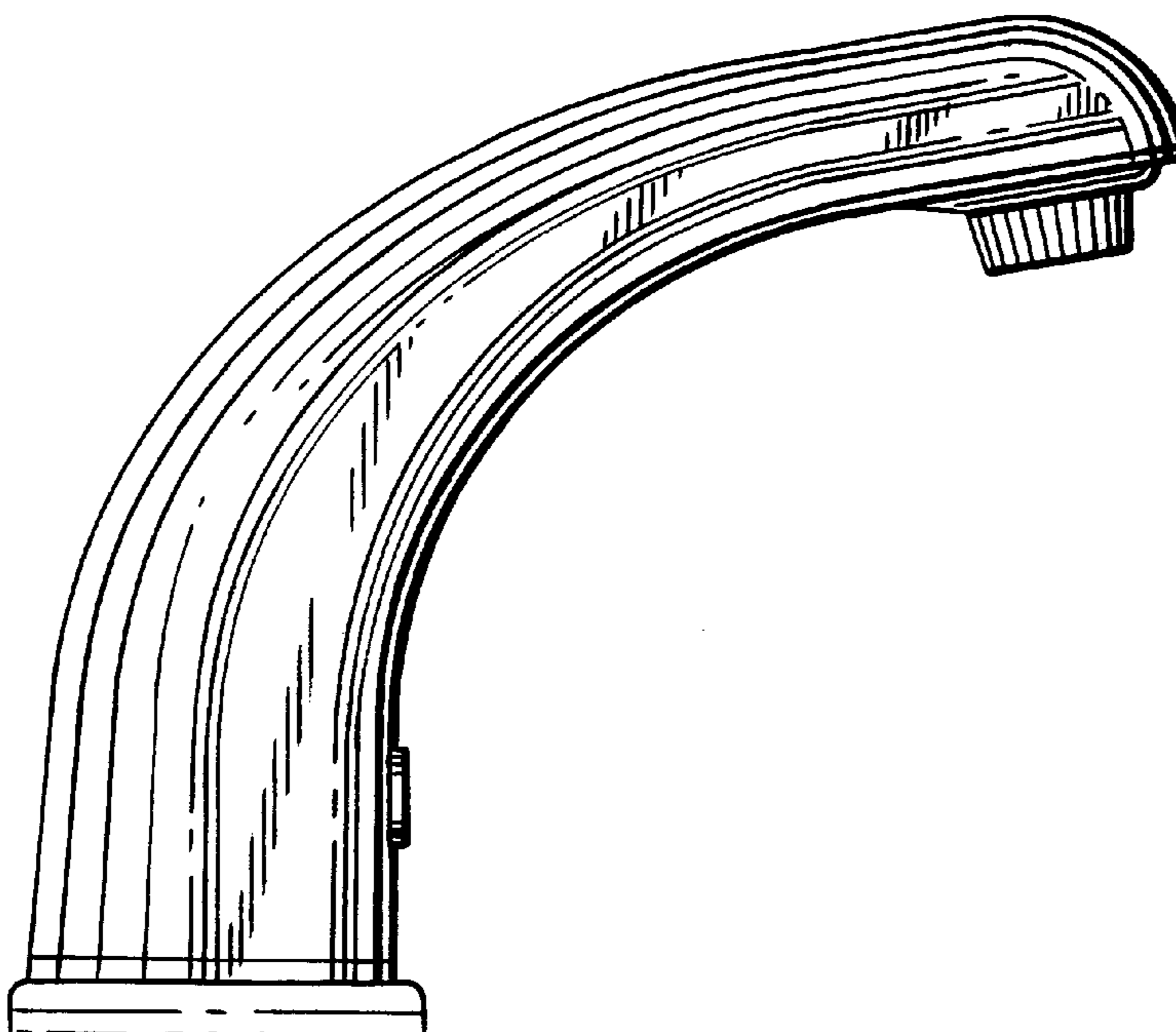
### [57] CLAIM

The ornamental design for an automatic faucet with mated housing, as shown and described.

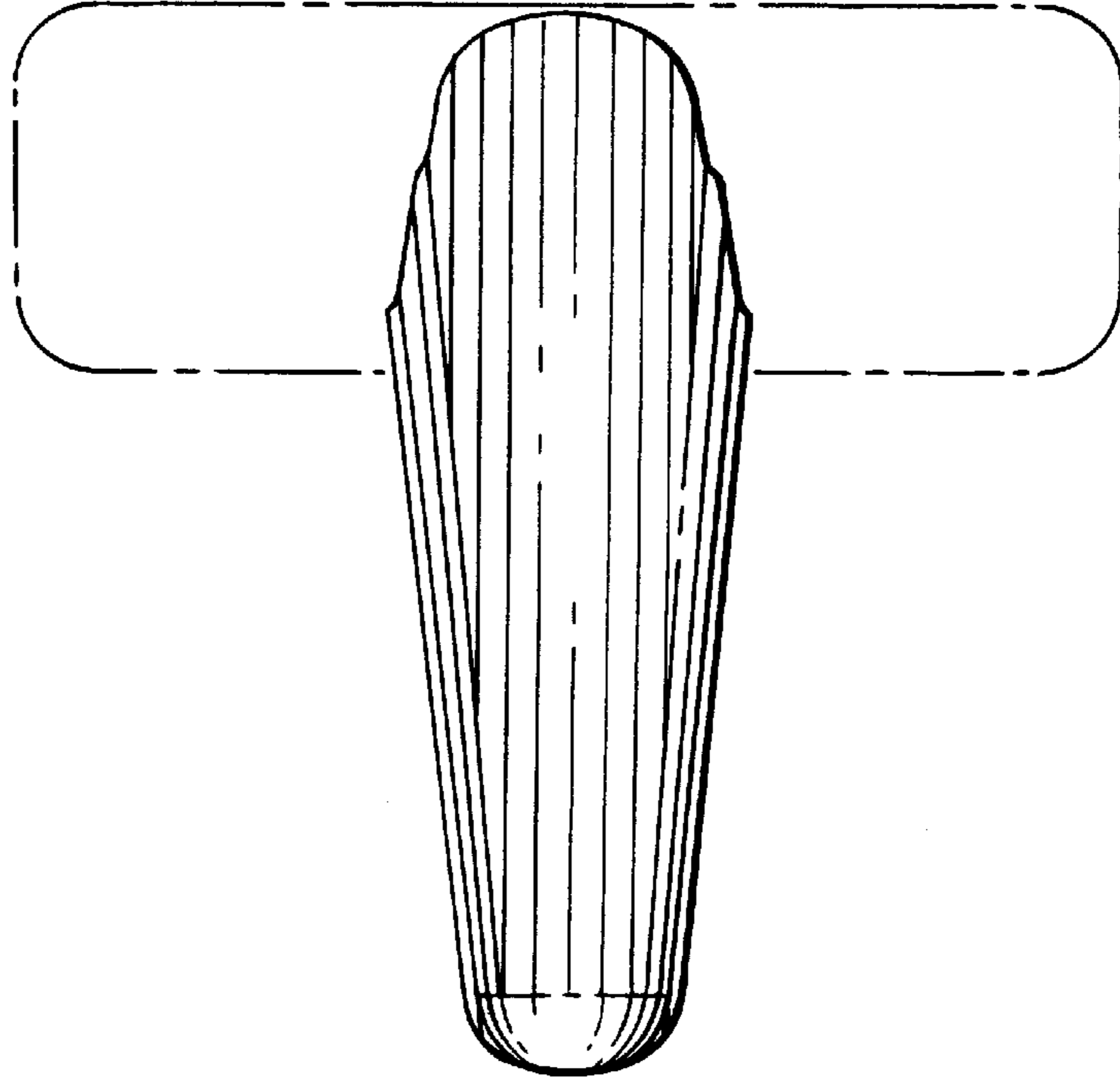
### DESCRIPTION

FIG. 1 is a front elevational view of an automatic faucet with mated housing showing our new design; FIG. 2 is a top plan view thereof; FIG. 3 is a right side elevational view thereof, left side elevational view being a mirror image thereof; FIG. 4 is a rear elevational view thereof; and, FIG. 5 is a bottom plan view thereof. The broken lines in the figures are for illustrative purposes only and form no part of the claimed design.

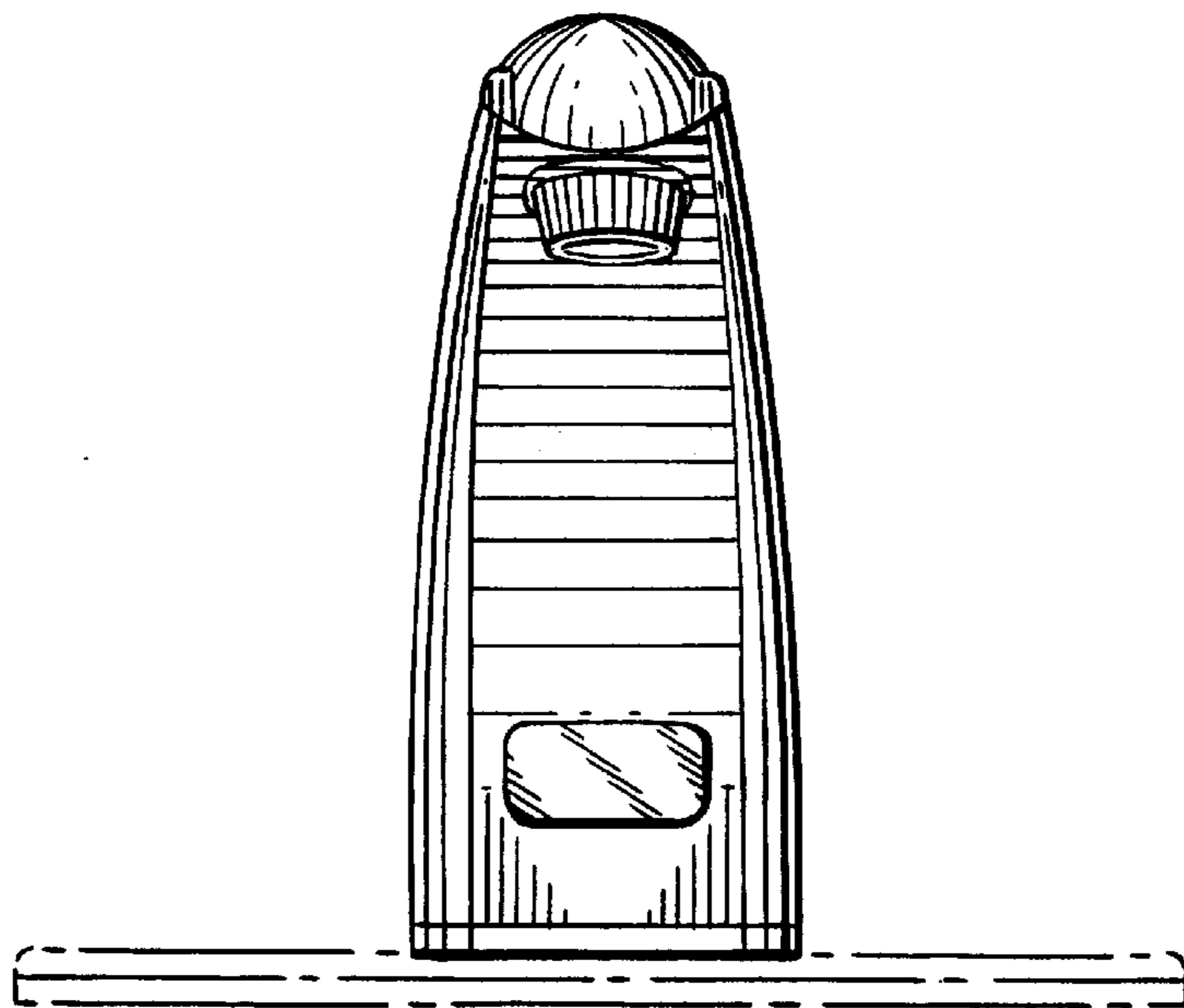
1 Claim, 3 Drawing Sheets



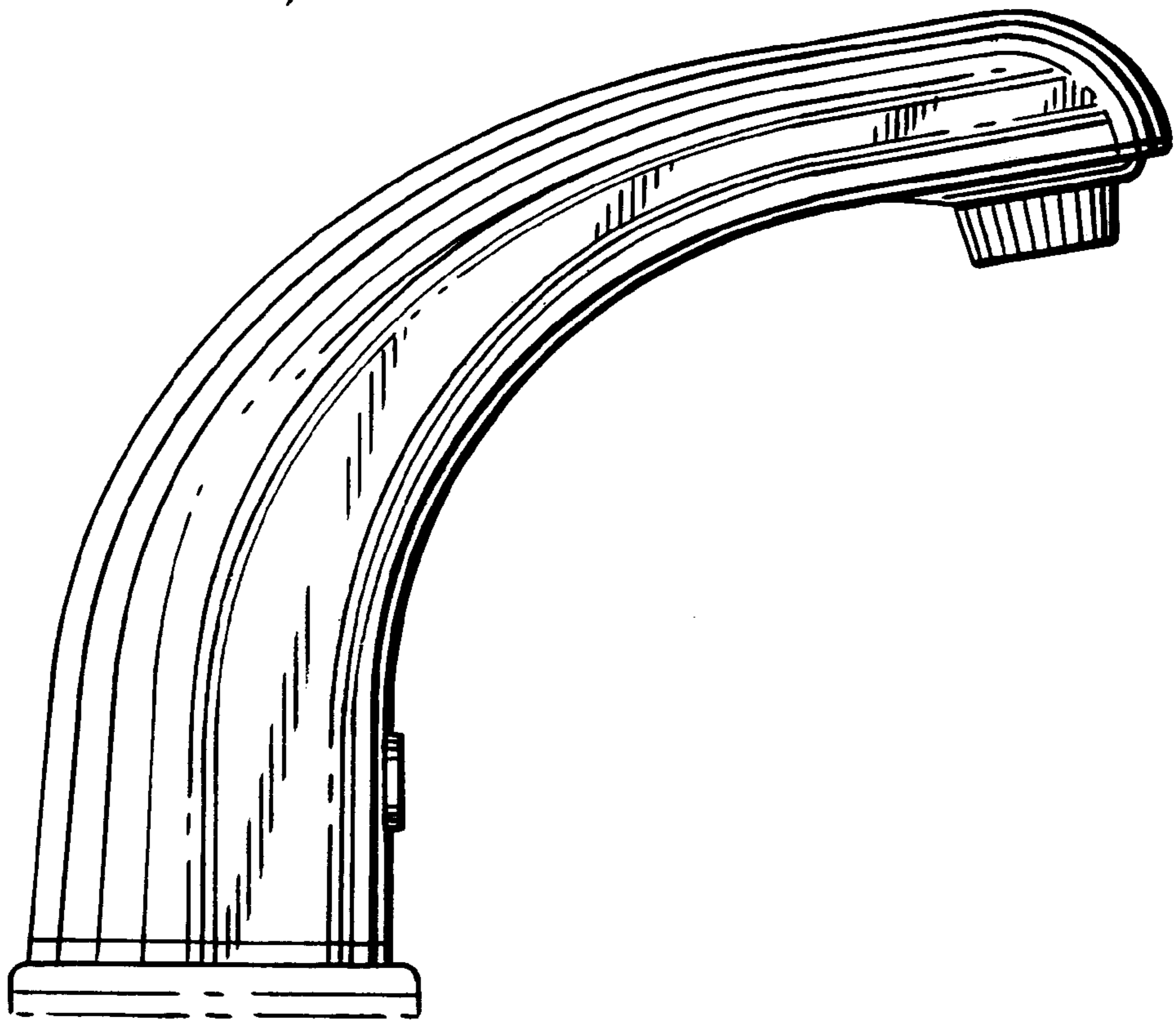
*Fig. 2.*



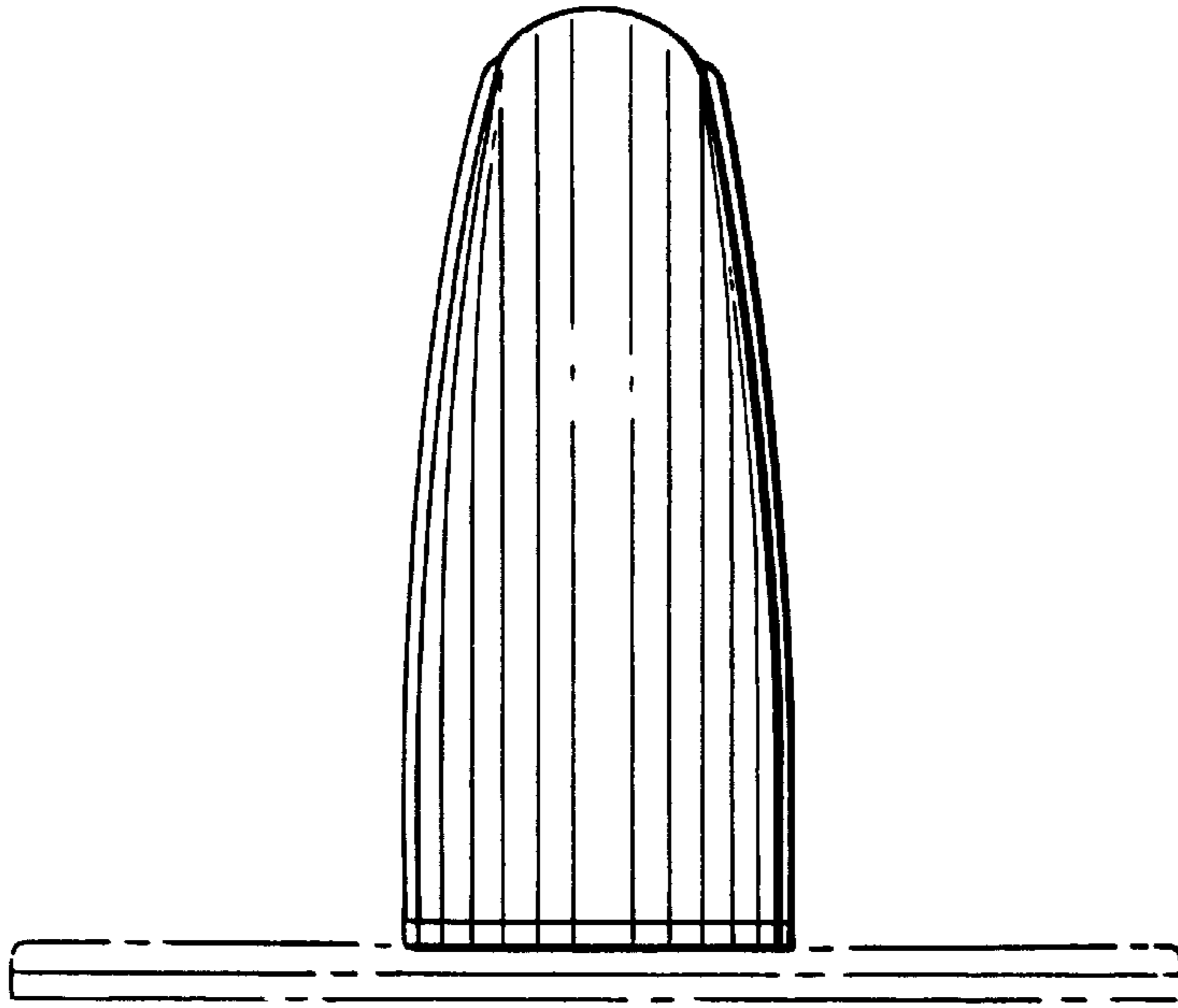
*Fig. 1.*



*Fig. 3.*



*Fig. 4.*



*Fig. 5.*

