



US00D431283S

United States Patent [19] Chuanbao

[11] **Patent Number: Des. 431,283**

[45] **Date of Patent: ** Sep. 26, 2000**

[54] **FAUCET AND ESCUTCHEON**

[75] Inventor: **Zhu Chuanbao**, Xiamen, China

[73] Assignee: **Xiamen Lota International Co., Ltd.**,
Xiamen, China

[**] Term: **14 Years**

[21] Appl. No.: **29/107,586**

[22] Filed: **Jul. 8, 1999**

[51] **LOC (7) Cl.** **23-01**

[52] **U.S. Cl.** **D23/241; D23/238**

[58] **Field of Search** **D23/238-243,**
D23/250-257; 4/675-678; 137/801

[56] **References Cited**

U.S. PATENT DOCUMENTS

- D. 169,405 4/1953 Young .
- D. 203,324 12/1965 Landell .
- D. 229,495 12/1973 Landell D23/241
- D. 280,008 8/1985 Miller et al. .
- D. 284,499 7/1986 Yost .
- D. 285,597 9/1986 Miller et al. .
- D. 293,362 12/1987 Hill et al. .
- D. 295,661 5/1988 Kohler, Jr. et al. .
- D. 347,466 5/1994 Kolada et al. D23/241
- D. 347,883 6/1994 Kolada et al. .
- D. 349,755 8/1994 Altman .
- D. 350,812 9/1994 Kolada et al. .
- D. 361,827 8/1995 Doughty et al. D23/241
- D. 379,849 6/1997 Hill et al. .
- D. 381,397 7/1997 Steffes D23/238
- D. 382,629 8/1997 Doughty et al. D23/241
- D. 384,396 9/1997 Doughty et al. D23/241
- D. 390,637 2/1998 Ko D23/241
- D. 390,638 2/1998 Ko D23/241
- D. 393,692 4/1998 Ko D23/238
- D. 400,646 11/1998 Hill et al. D23/241
- D. 401,673 11/1998 Steffes D23/241

- D. 404,467 1/1999 Doughty et al. D23/242
- D. 410,527 6/1999 Chang et al. D23/241
- D. 415,825 10/1999 Chang et al. D23/241

FOREIGN PATENT DOCUMENTS

- 331597 5/1946 Japan .
- 359630 12/1947 Japan .
- 395320 12/1949 Japan .
- 512705 6/1954 Japan .
- 541327 7/1955 Japan .
- 550657 12/1955 Japan .
- 55-2155 1/1981 Japan .
- 663482 10/1985 Japan .
- 895223 3/1994 Japan .
- 895224 3/1994 Japan .

OTHER PUBLICATIONS

American Standard Catalog, form the examiner's collection, p. I-11, spec sheet for the Cadet Ragency Faucet, Dec. 1992.

Primary Examiner—Louis S. Zarfes

Assistant Examiner—Greg Andoll

Attorney, Agent, or Firm—Fulwider Patton Lee & Utecht, LLP

[57] **CLAIM**

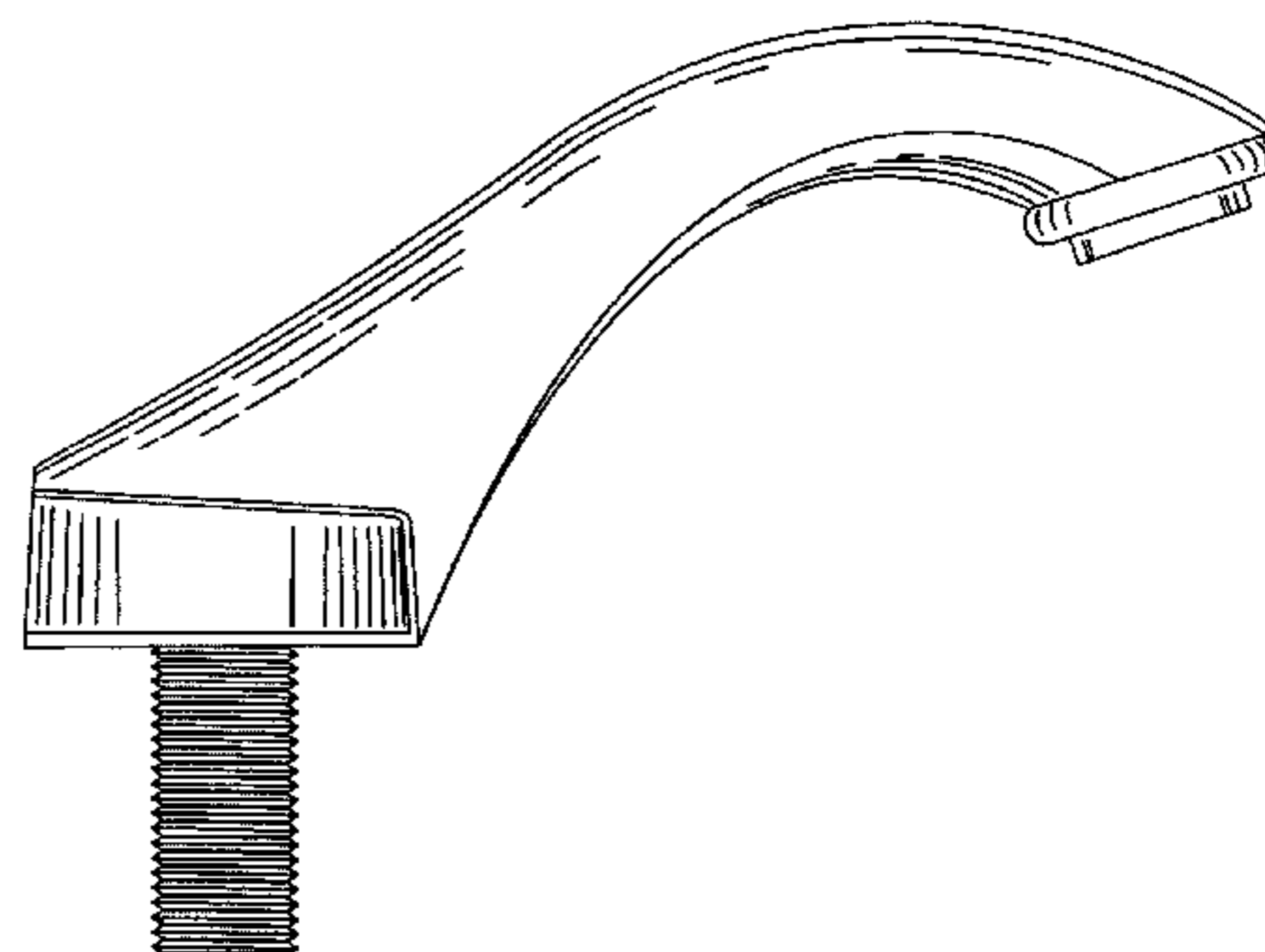
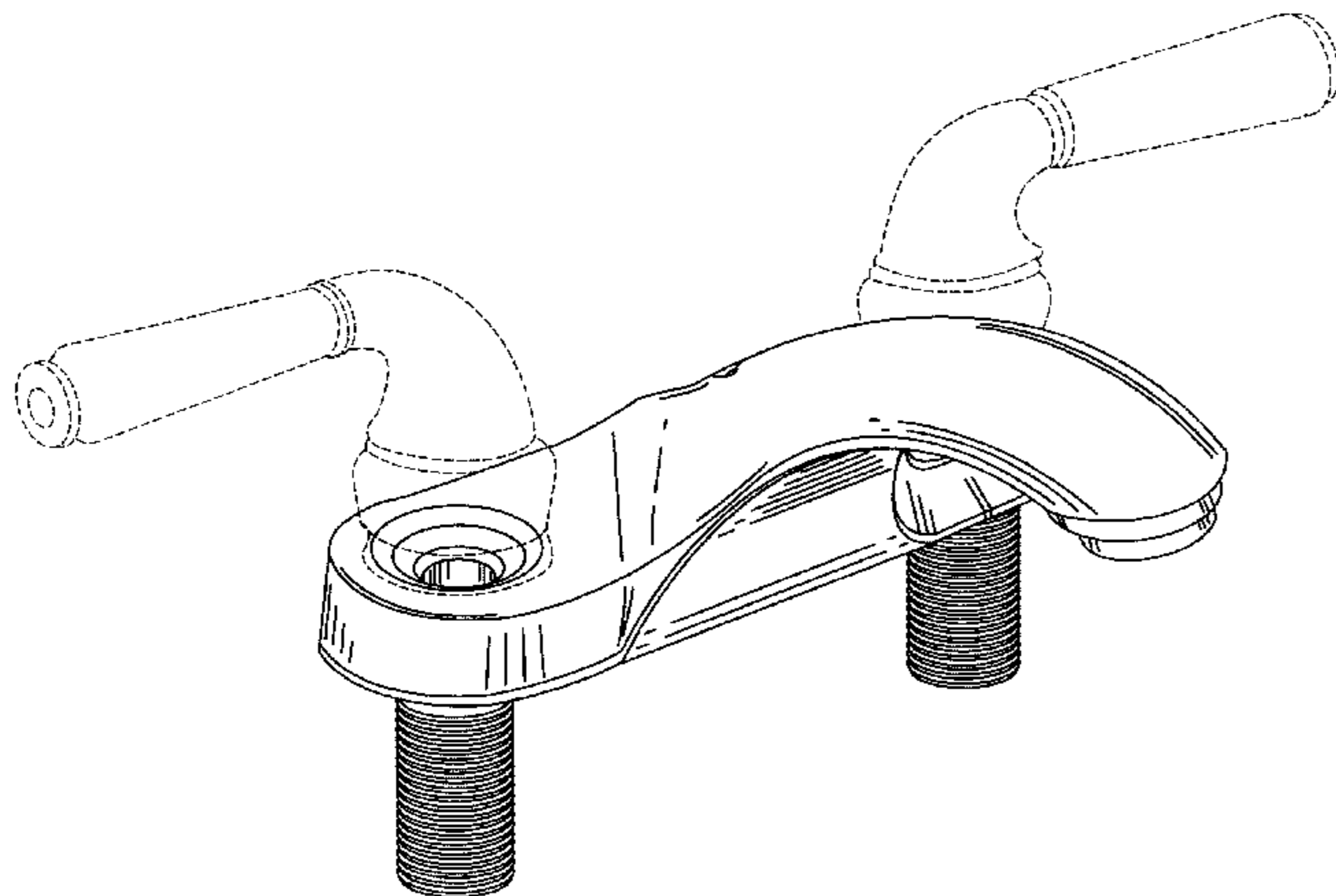
The ornamental design for a faucet and escutcheon, as shown and described.

DESCRIPTION

FIG. 1 is a perspective view of a faucet and escutcheon showing my new design;
FIG. 2 is a left side view thereof;
FIG. 3 is a front view thereof;
FIG. 4 is a back view thereof;
FIG. 5 is a top view thereof; and,
FIG. 6 is a bottom view thereof.

The broken lines in the Figures are for illustrative purposes only and forms no part of the claimed design.

1 Claim, 3 Drawing Sheets



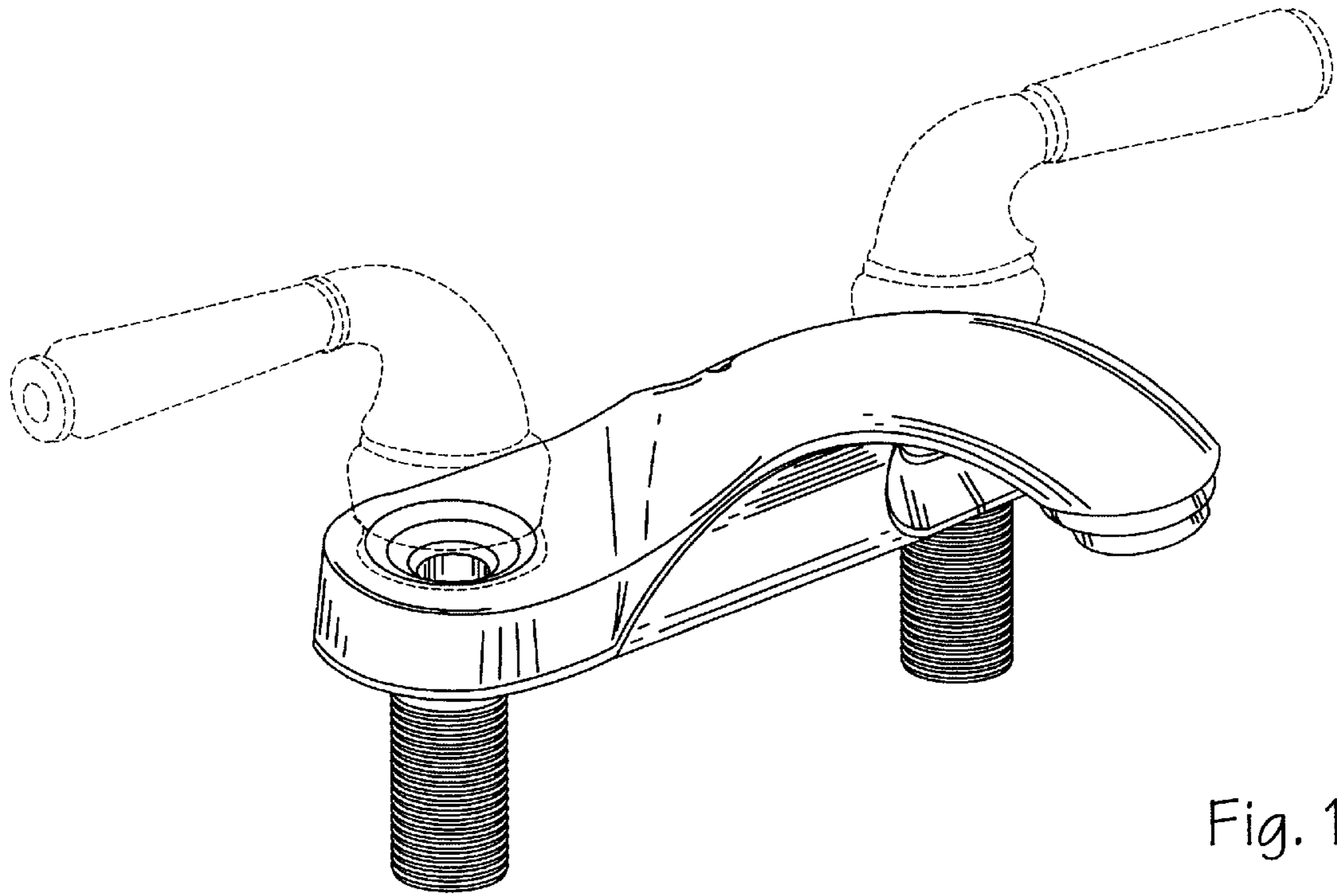


Fig. 1

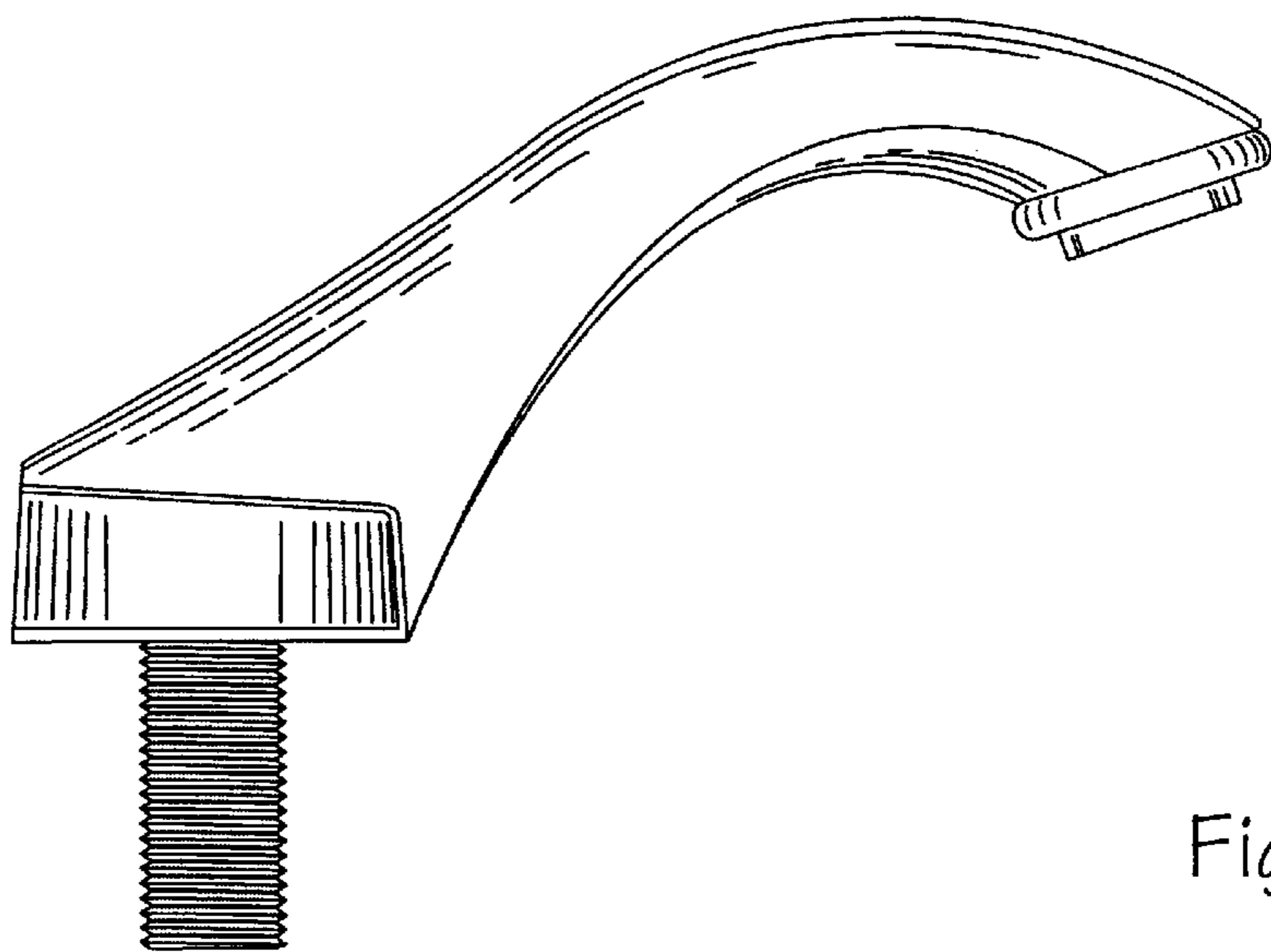


Fig. 2

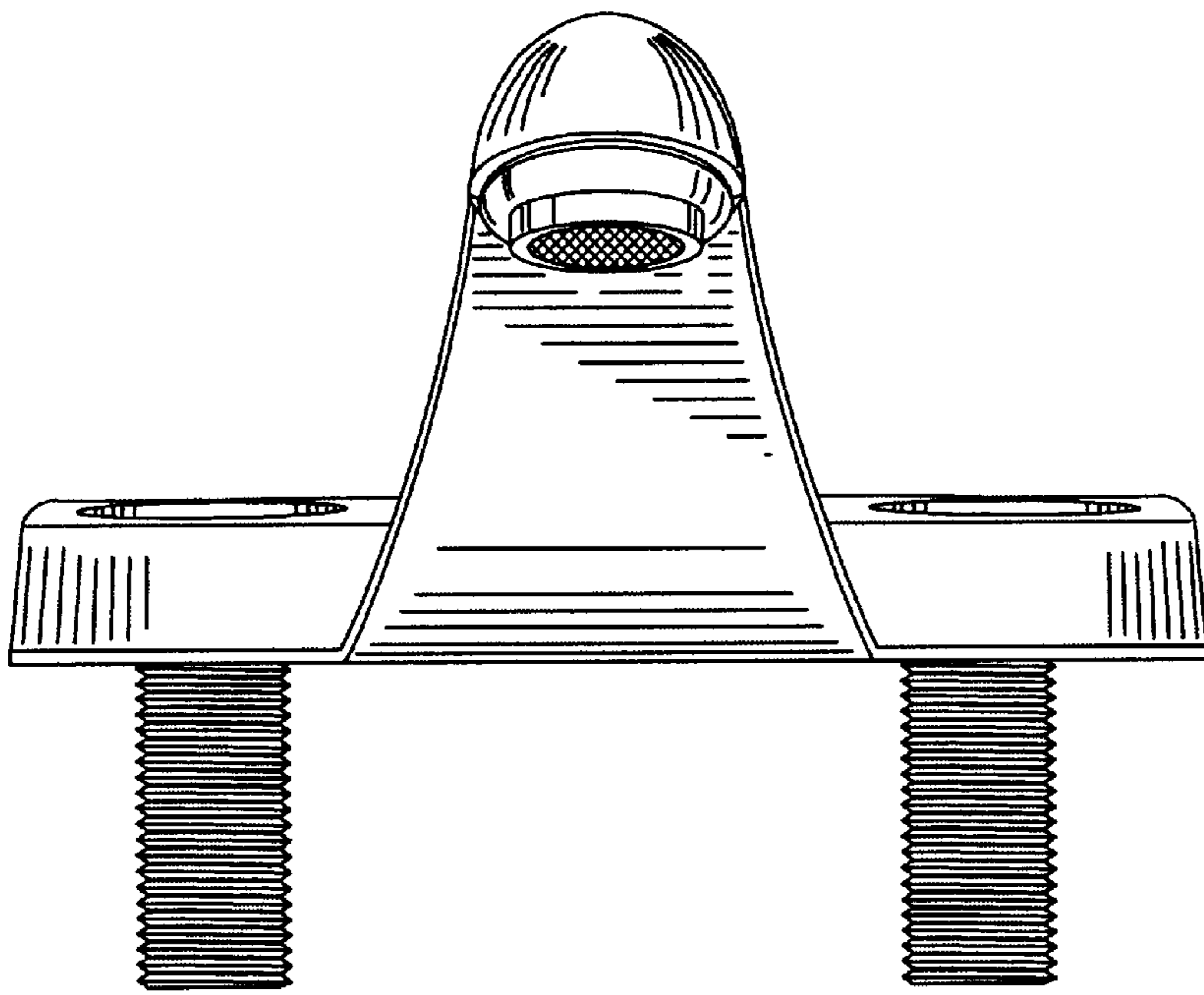


Fig. 3

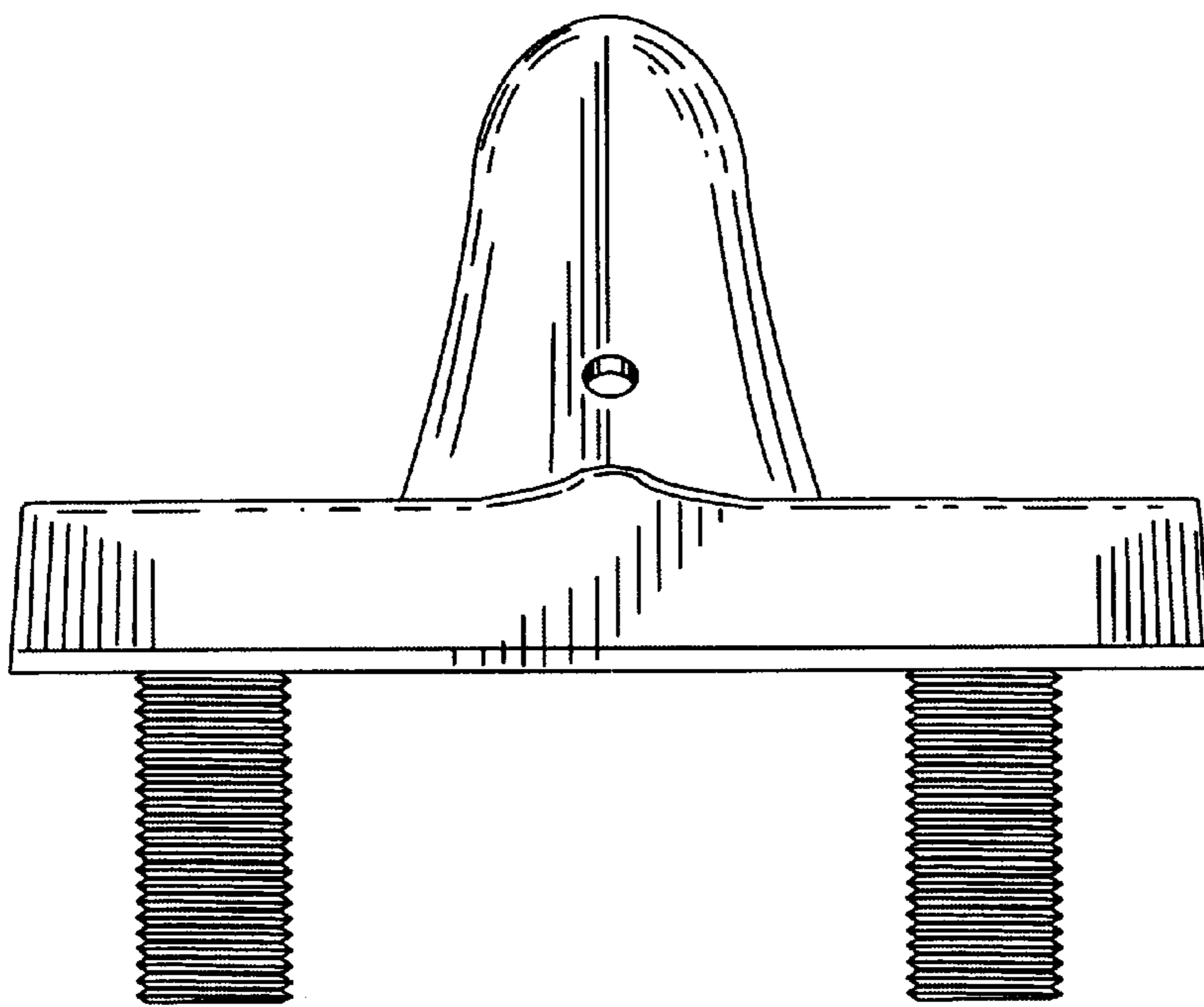


Fig. 4

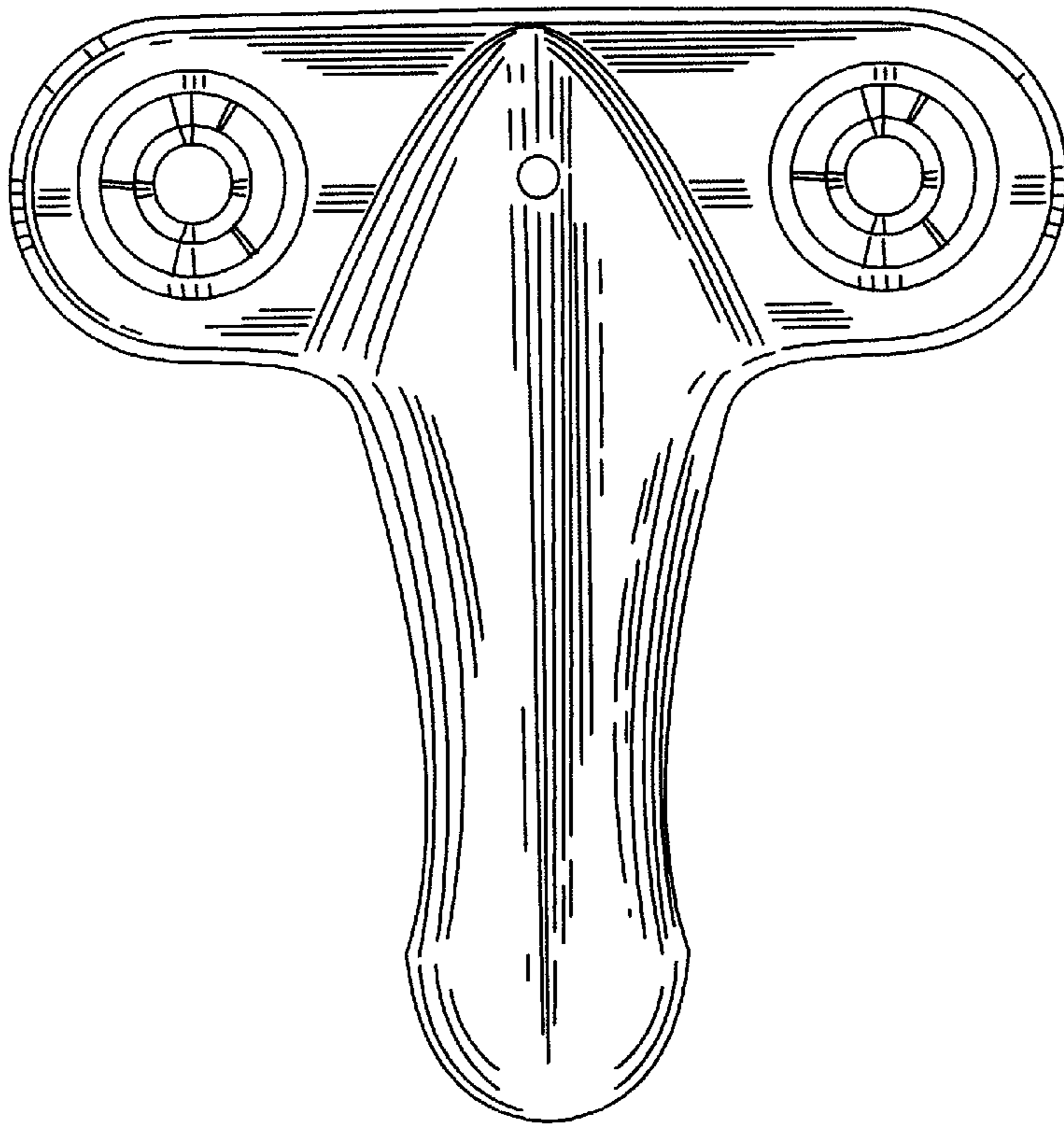


Fig. 5

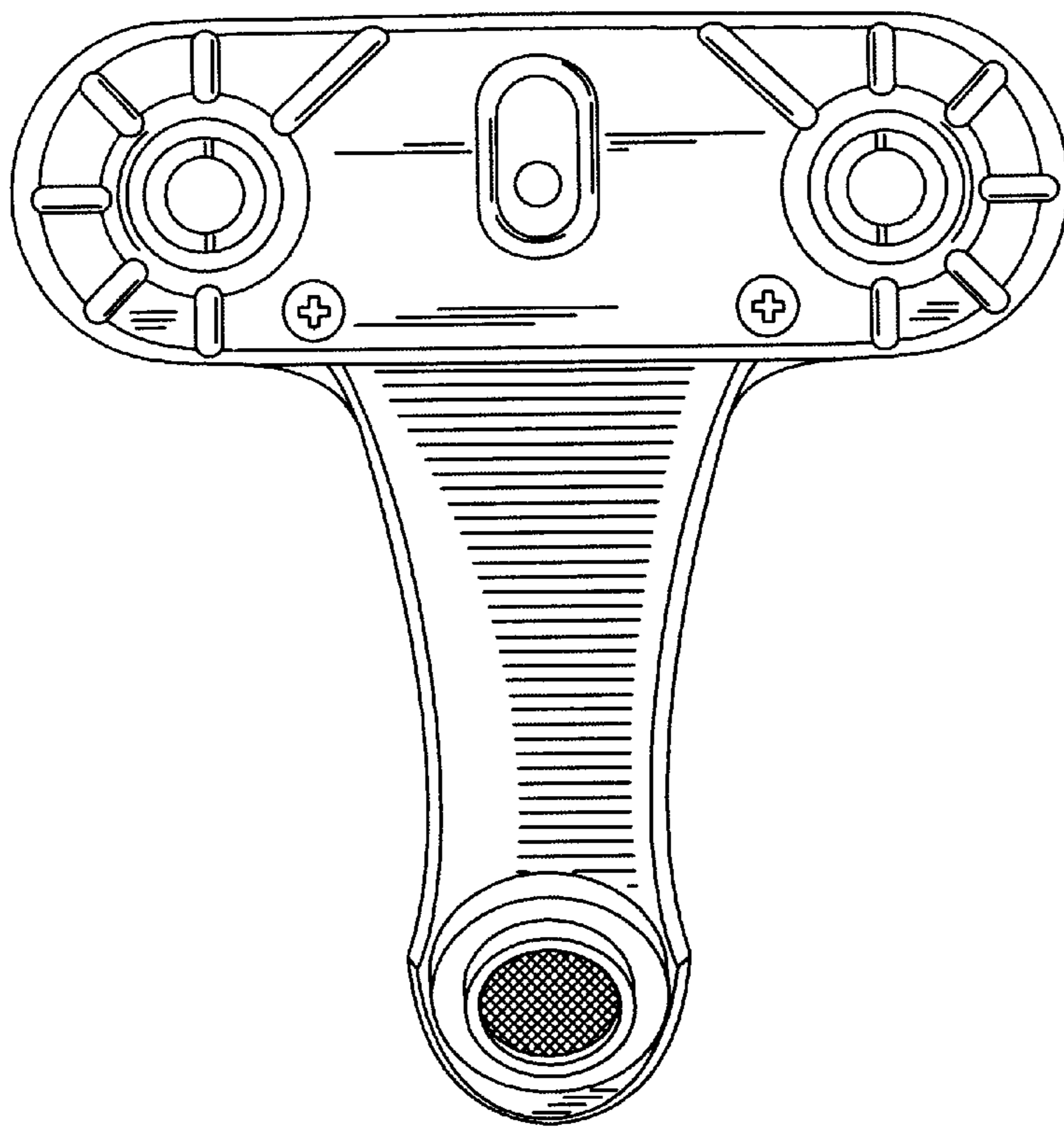


Fig. 6