



US00D431281S

# United States Patent [19] Lord

[11] Patent Number: **Des. 431,281**

[45] Date of Patent: **\*\* Sep. 26, 2000**

[54] FAUCET

[75] Inventor: **Judd A. Lord**, Carmel, Ind.

[73] Assignee: **Masco Corporation of Indiana**, Indianapolis, Ind.

[\*\*] Term: **14 Years**

[21] Appl. No.: **29/117,531**

[22] Filed: **Jan. 27, 2000**

[51] LOC (7) Cl. .... **23-01**

[52] U.S. Cl. .... **D23/238; D23/241**

[58] Field of Search ..... **D23/238-243, D23/250-257; D8/300-310; 4/675-678; 137/801**

## [56] References Cited

### U.S. PATENT DOCUMENTS

D. 207,044	2/1967	Hurwitz	.....	D23/241
D. 276,259	11/1984	Miller	.	
D. 288,835	3/1987	Yost	.	
D. 293,362	12/1987	Hill et al.	.	
D. 295,551	5/1988	Yost	.	
D. 318,906	8/1991	Spangler	.	
D. 320,645	10/1991	Knapp et al.	.	
D. 321,750	11/1991	Spangler	.	
D. 346,013	4/1994	McKeone	.....	D23/255
D. 363,536	10/1995	Hill et al.	.	
D. 363,766	10/1995	Hill et al.	.	
D. 363,974	11/1995	Doughty et al.	.....	D23/241
D. 364,218	11/1995	Hill et al.	.	
D. 364,219	11/1995	Hill et al.	.	
D. 364,220	11/1995	Hill et al.	.	
D. 366,099	1/1996	Hill et al.	.	
D. 367,701	3/1996	Hill et al.	.	

D. 367,920	3/1996	Hill et al.	.	
D. 374,709	10/1996	Doughty et al.	.....	D23/241
D. 379,213	5/1997	Gottwald	.....	D23/238
D. 392,026	3/1998	Doughty et al.	.....	D23/241
D. 393,692	4/1998	Ko	.....	D23/238
D. 416,982	11/1999	Warshawsky et al.	.....	D23/241
D. 418,578	1/2000	Warshawsky et al.	.....	D23/241

### OTHER PUBLICATIONS

Delta 1994 Full-Line Price List, (c) 1994 Masco Corporation of Indiana, pp. 14, 21-22, 26-27, 44-45.  
Kohler K-500 Design Manual, from the examiner's collection, p. 40 Taboret Faucet, Oct. 1990.

*Primary Examiner*—Louis S. Zarfes  
*Assistant Examiner*—Gregory Andoll  
*Attorney, Agent, or Firm*—Myron B. Kapustij; Lloyd D. Doigan

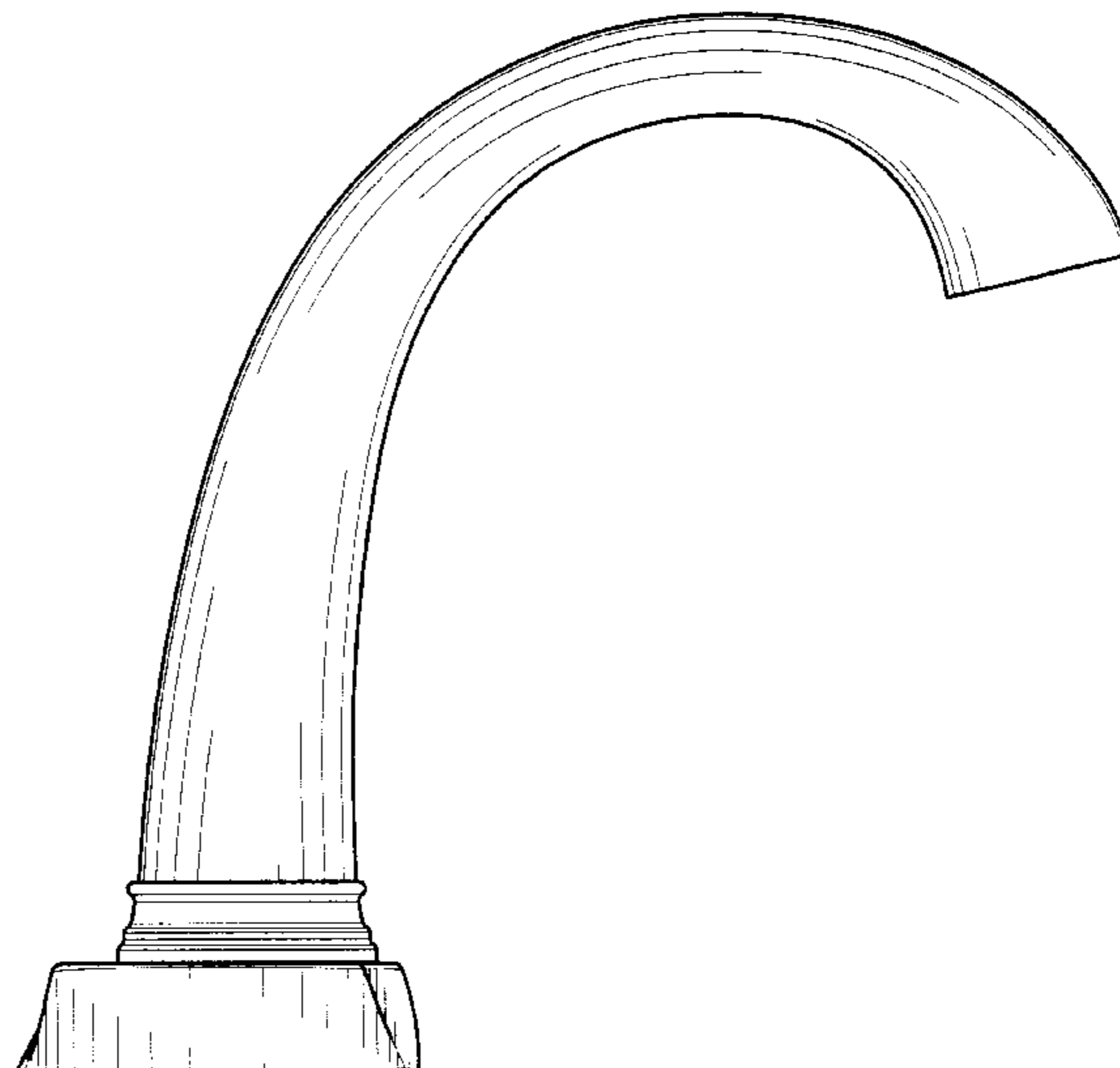
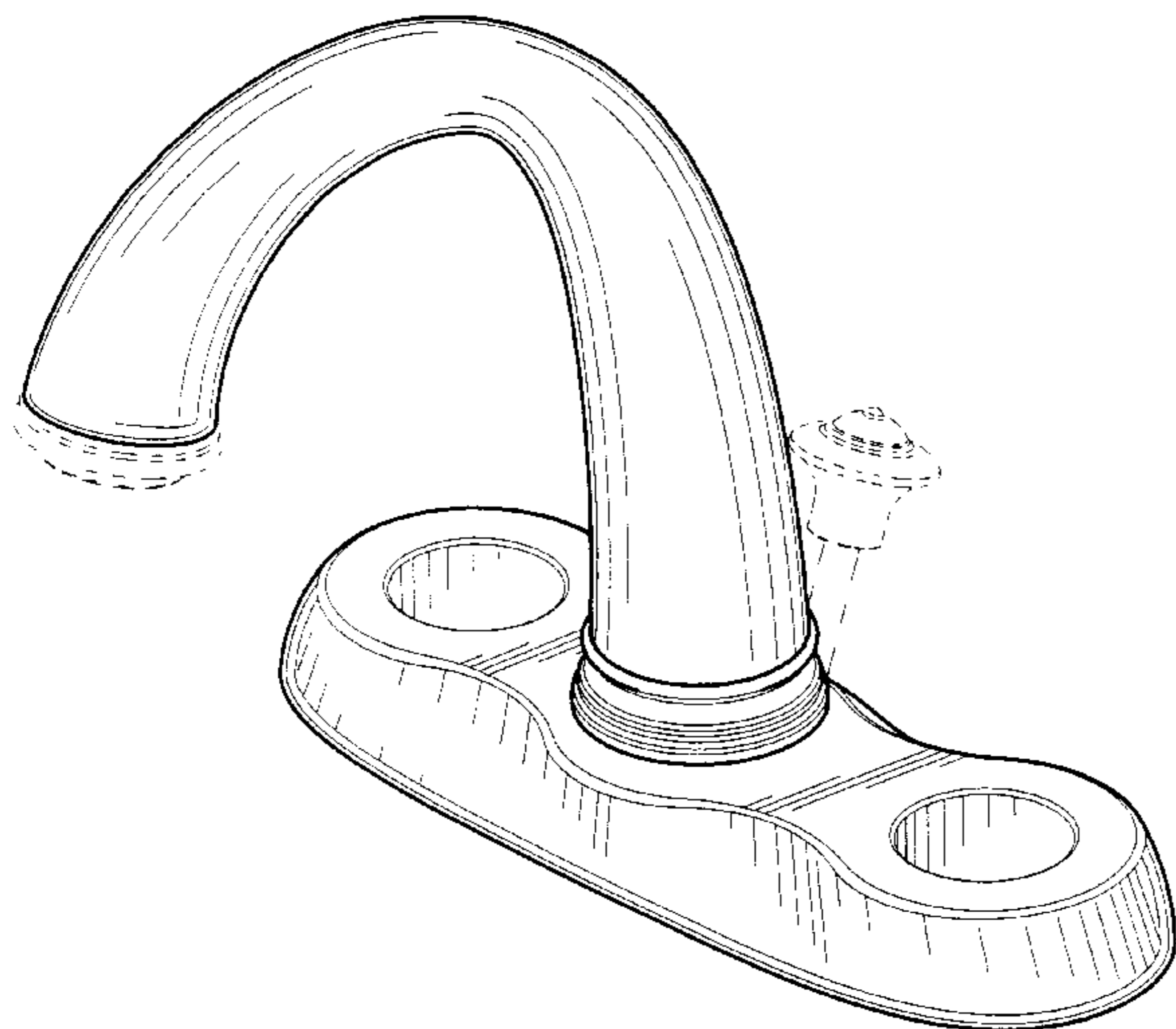
## [57] CLAIM

The ornamental design for a faucet, as shown and described.

### DESCRIPTION

FIG. 1 is a rear perspective view of the faucet showing my new design;  
FIG. 2 is a front perspective view thereof;  
FIG. 3 is a right side elevational view thereof, the left side being a mirror image;  
FIG. 4 is a rear elevational view thereof;  
FIG. 5 is a top plan view thereof;  
FIG. 6 is a front elevational view thereof; and,  
FIG. 7 is a bottom plan view thereof.  
The broken line showing of the lift rod and aerator in FIG. 2 and the apertures in FIG. 7 are for purposes of illustration only and form no part of the claimed design.

**1 Claim, 4 Drawing Sheets**



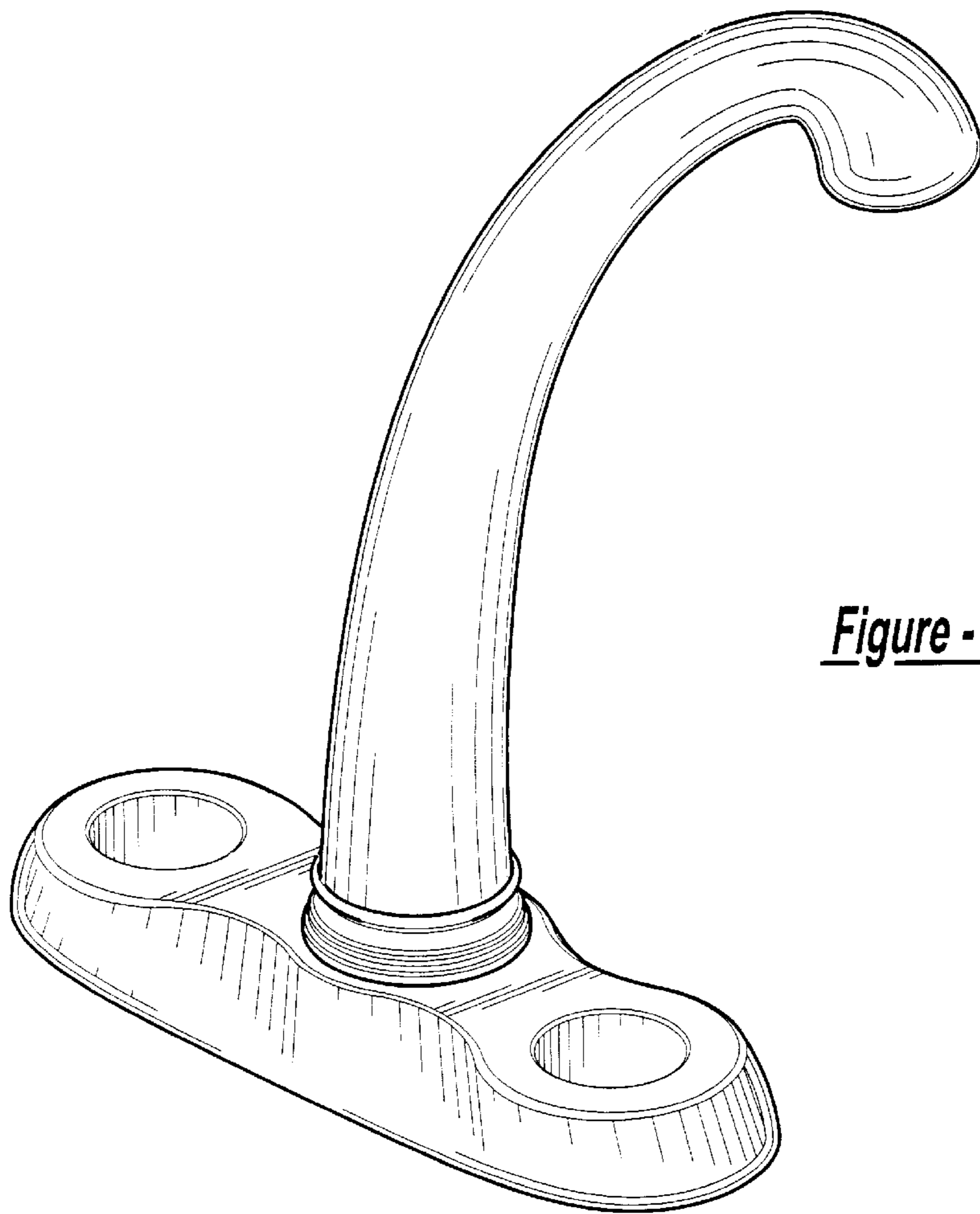


Figure - 1

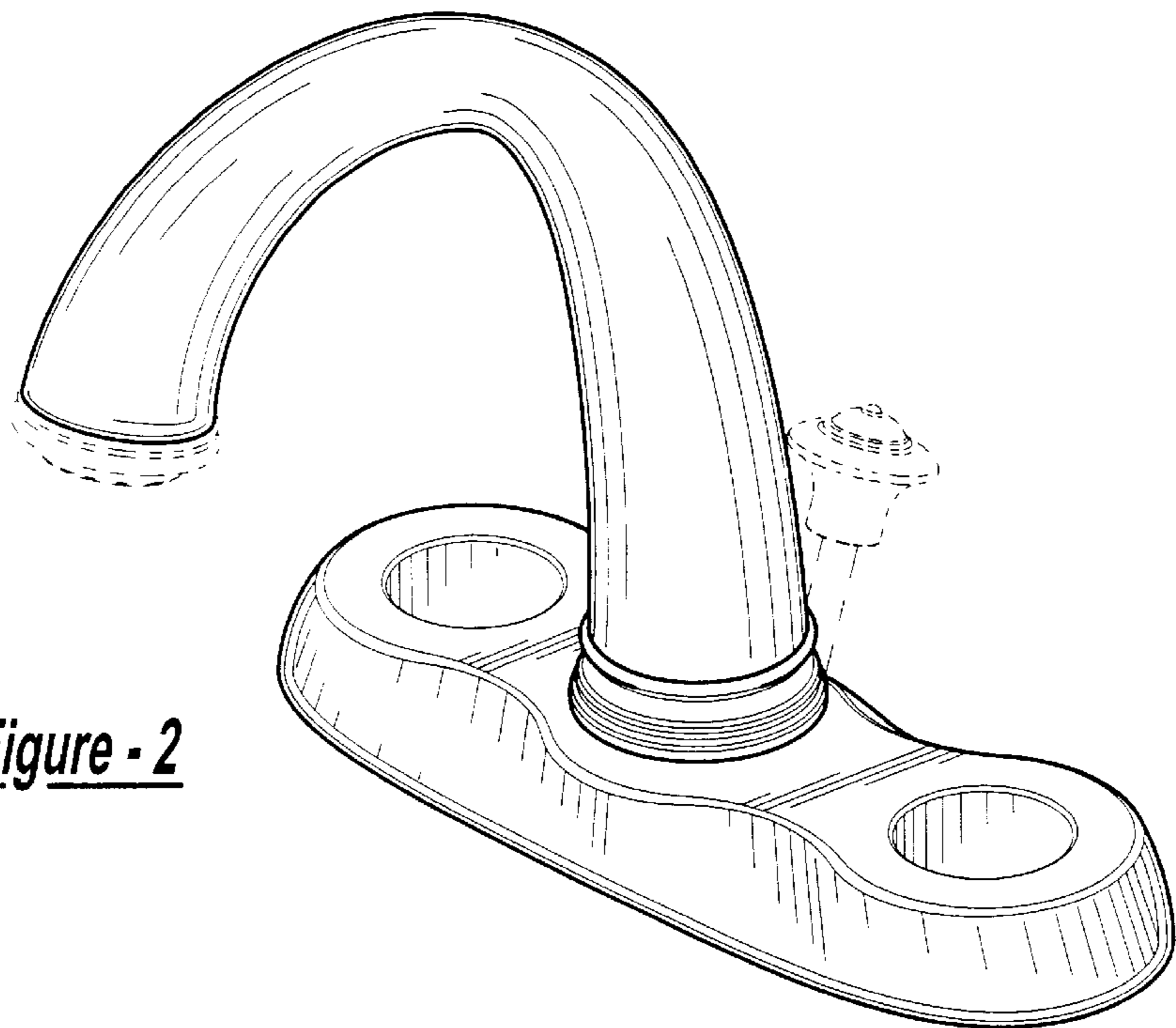


Figure - 2

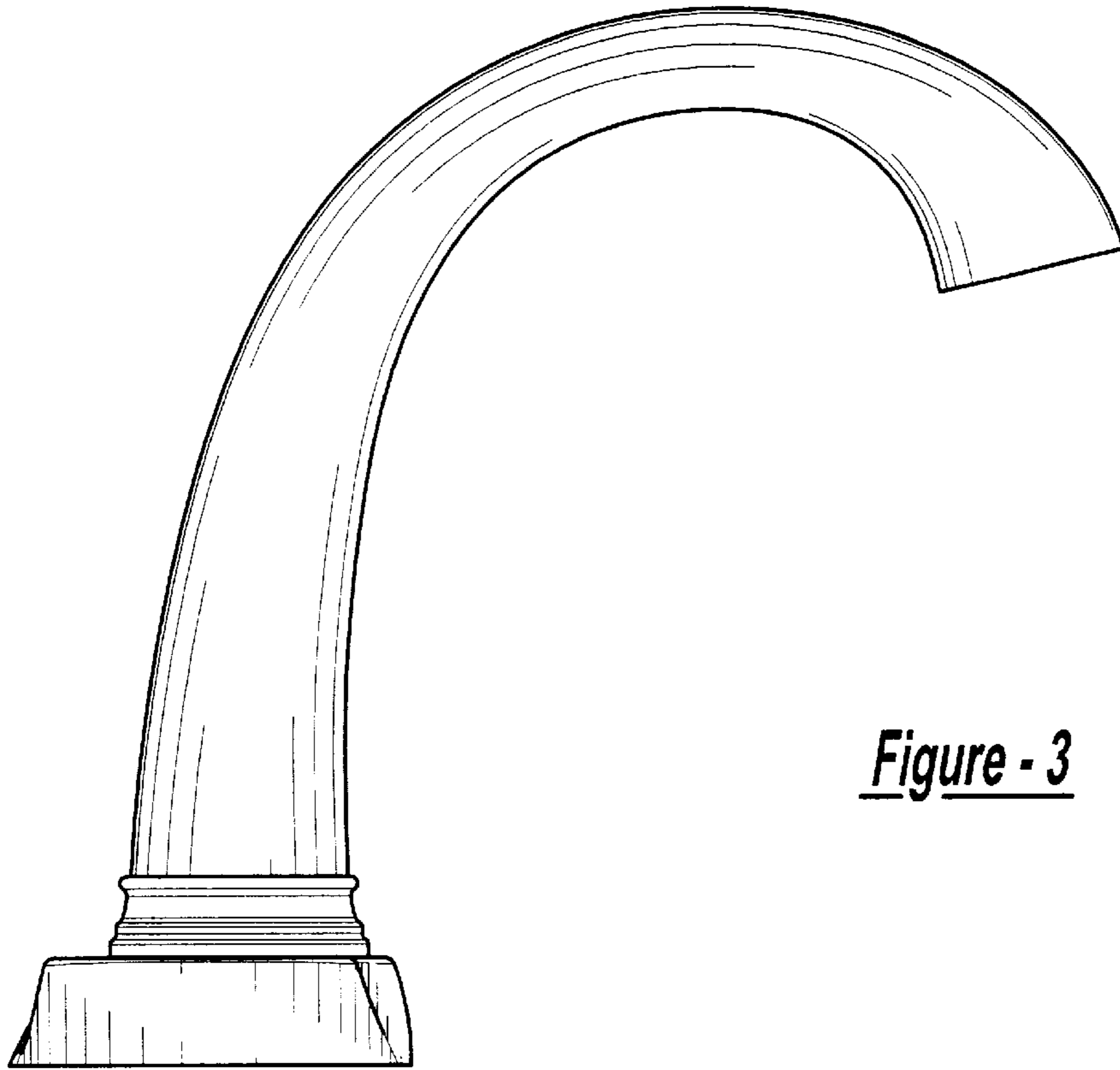
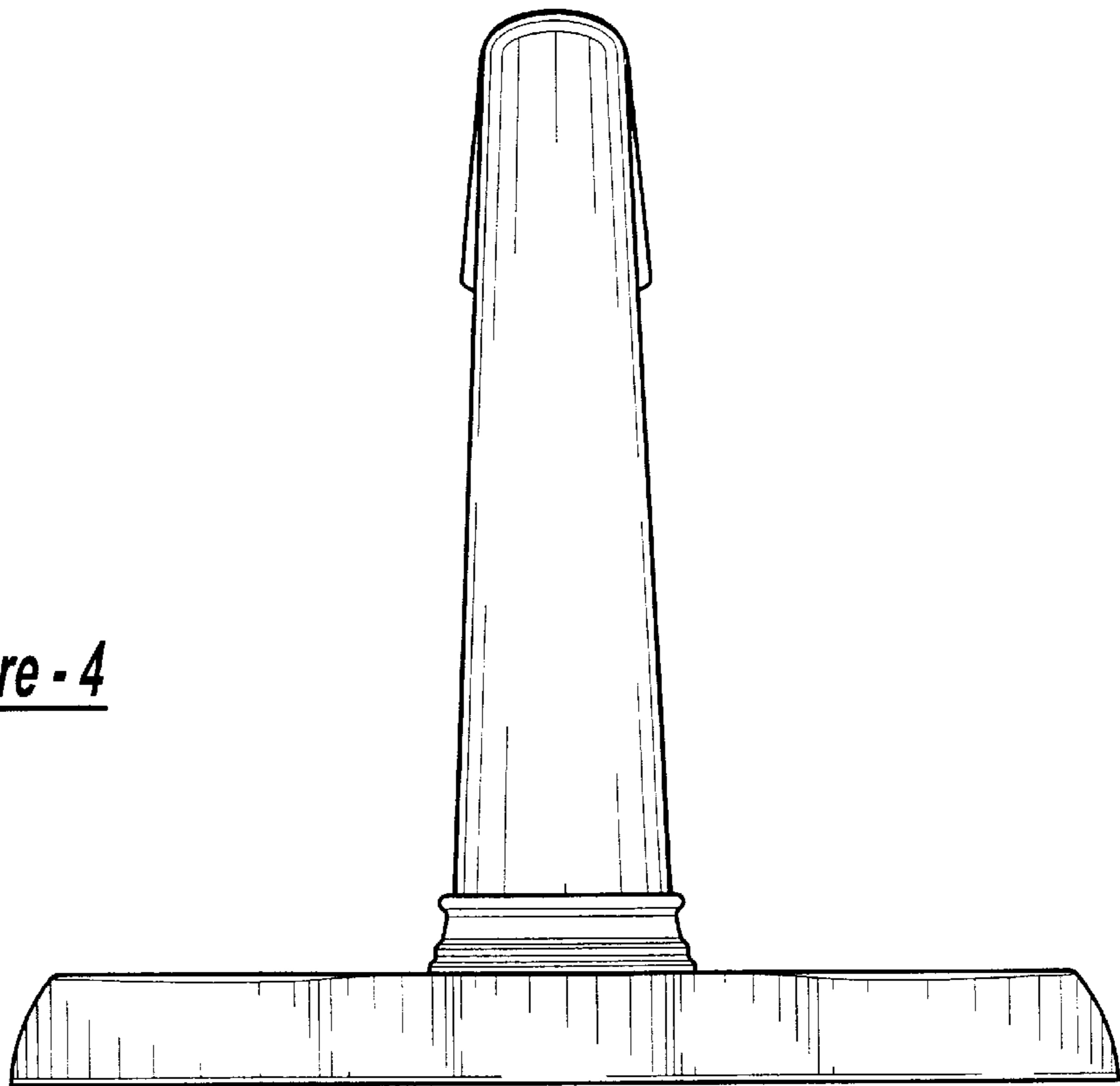


Figure - 3

Figure - 4



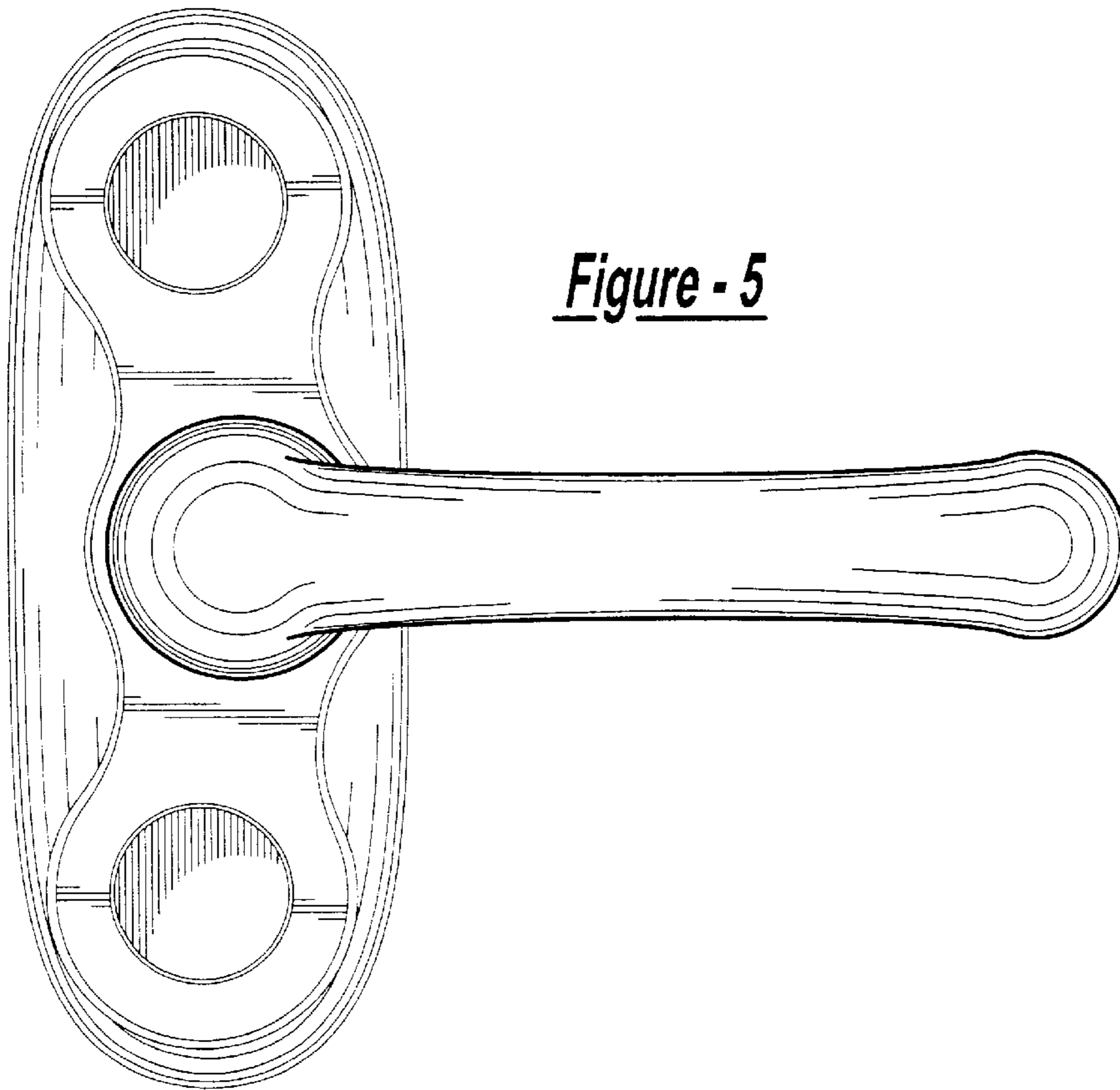
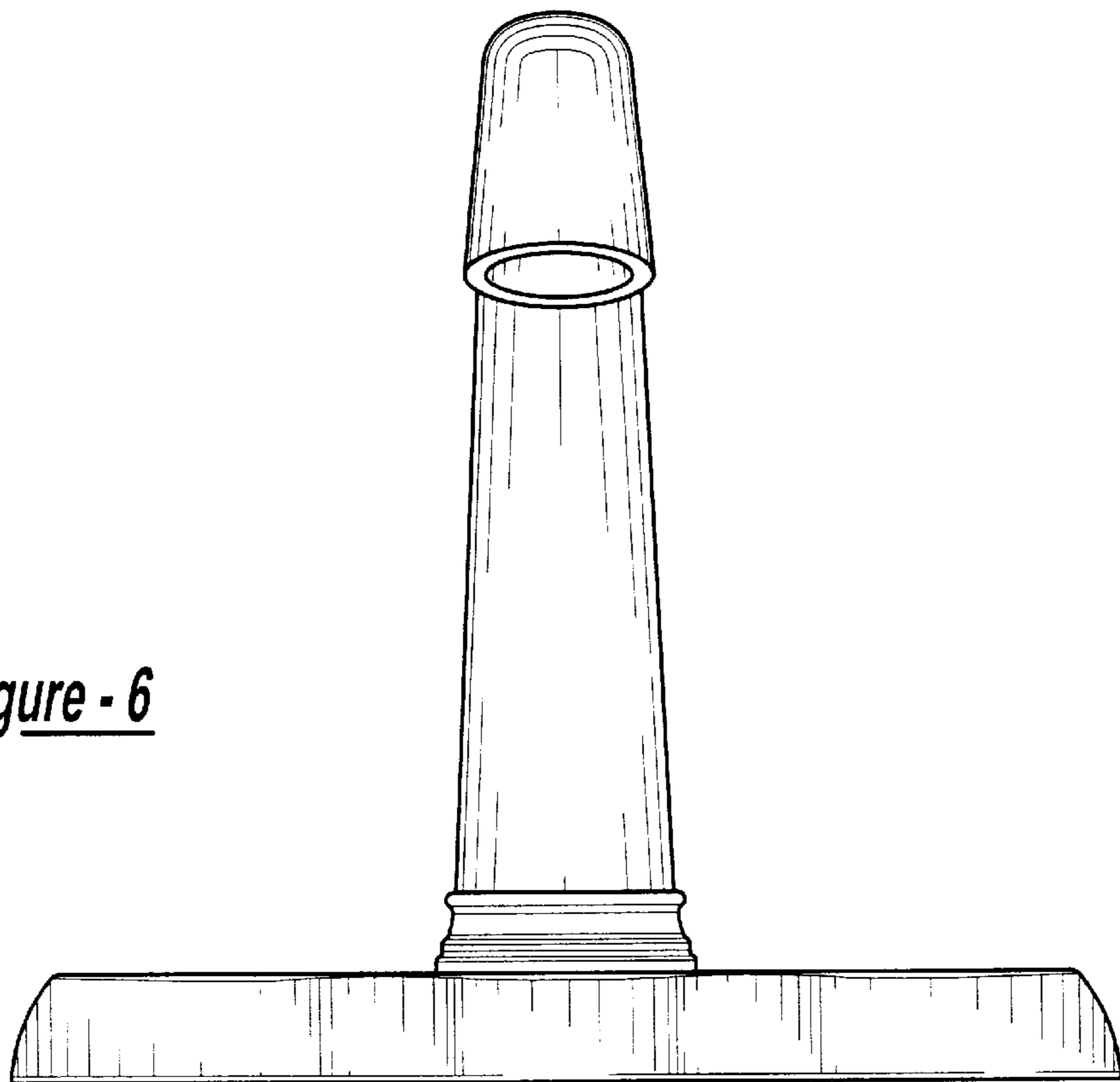


Figure - 5

Figure - 6



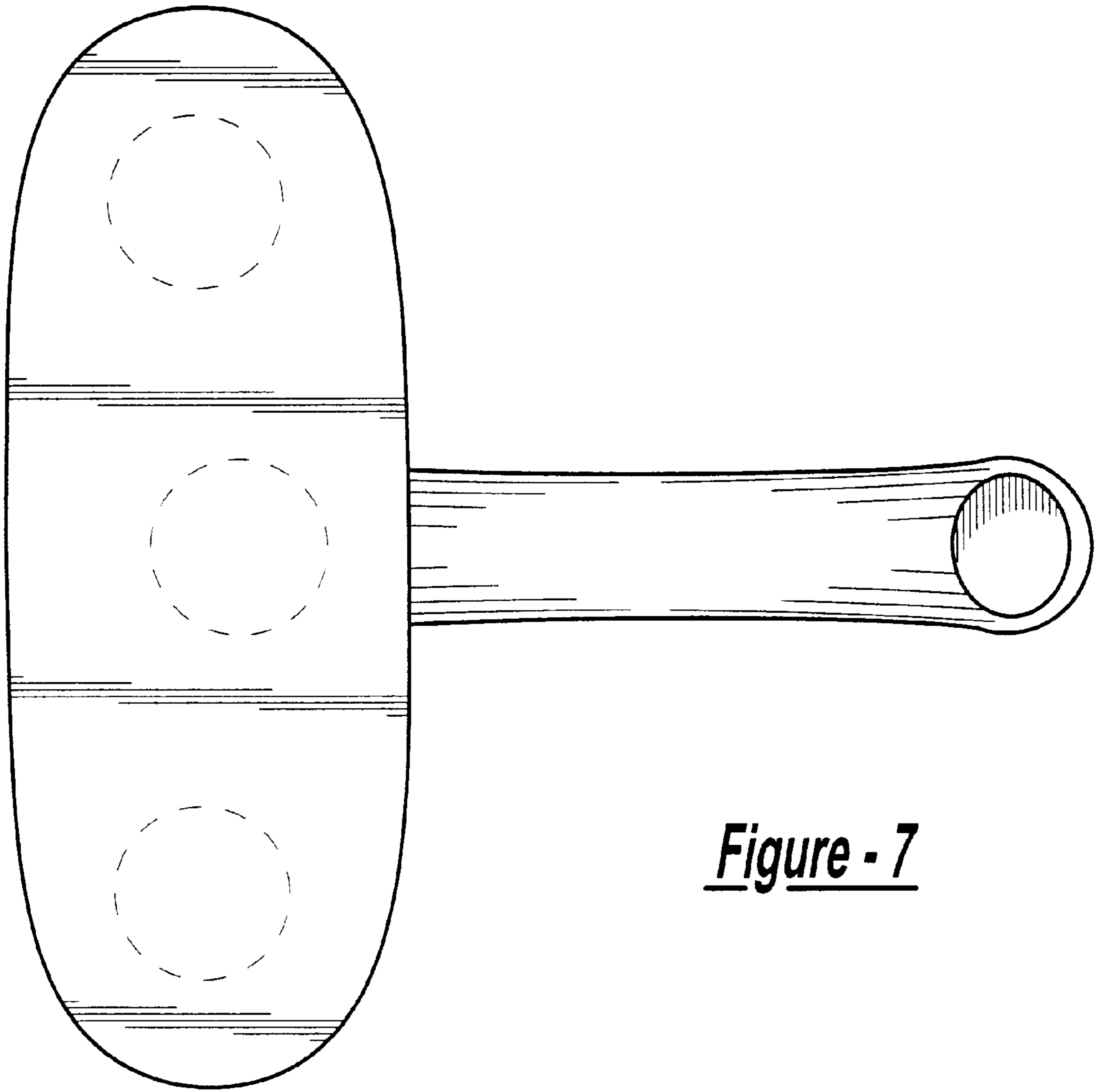


Figure - 7