



US00D431279S

United States Patent [19]
Spriegel

[11] **Patent Number: Des. 431,279**

[45] **Date of Patent: ** Sep. 26, 2000**

[54] **TANK FOR A HAND OPERATED SPRAYER**

[75] **Inventor: Clark F. Spriegel, Attica, N.Y.**

[73] **Assignee: Chapin Manufacturing, Inc., Batavia, N.Y.**

[**] **Term: 14 Years**

[21] **Appl. No.: 29/116,789**

[22] **Filed: Jan. 11, 2000**

[51] **LOC (7) Cl. 23-01**

[52] **U.S. Cl. D23/225; D23/202; D8/2**

[58] **Field of Search D23/202, 225; D8/2; 239/302, 308; 220/565**

[56] **References Cited**

U.S. PATENT DOCUMENTS

D. 295,659 5/1988 Born D23/225

D. 307,112 4/1990 Huck D23/202
D. 311,240 10/1990 Born D23/225
D. 327,528 6/1992 Sears et al. D23/225
D. 347,047 5/1994 Wood D23/225
D. 391,626 3/1998 Spriegel D23/225

Primary Examiner—Robin V. Taylor
Attorney, Agent, or Firm—Jaeckle Fleischmann & Mugel

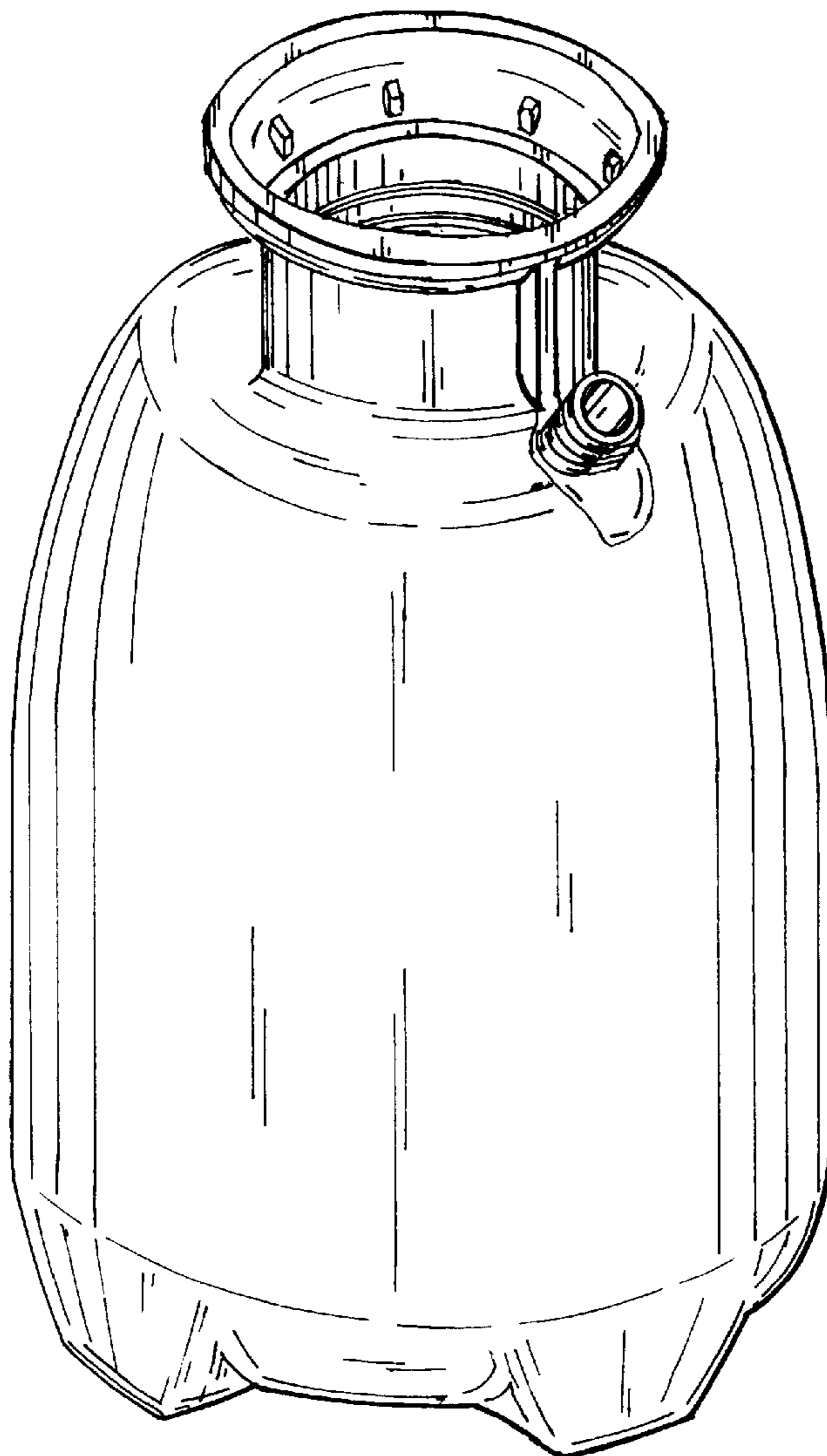
[57] **CLAIM**

The ornamental design for a tank for a hand operated sprayer, as shown and described.

DESCRIPTION

FIG. 1 is a perspective view of a tank for a hand operated sprayer incorporating my design;
FIG. 2 is a top view thereof;
FIG. 3 is a side elevational view thereof; and,
FIG. 4 is a bottom view thereof.

1 Claim, 2 Drawing Sheets



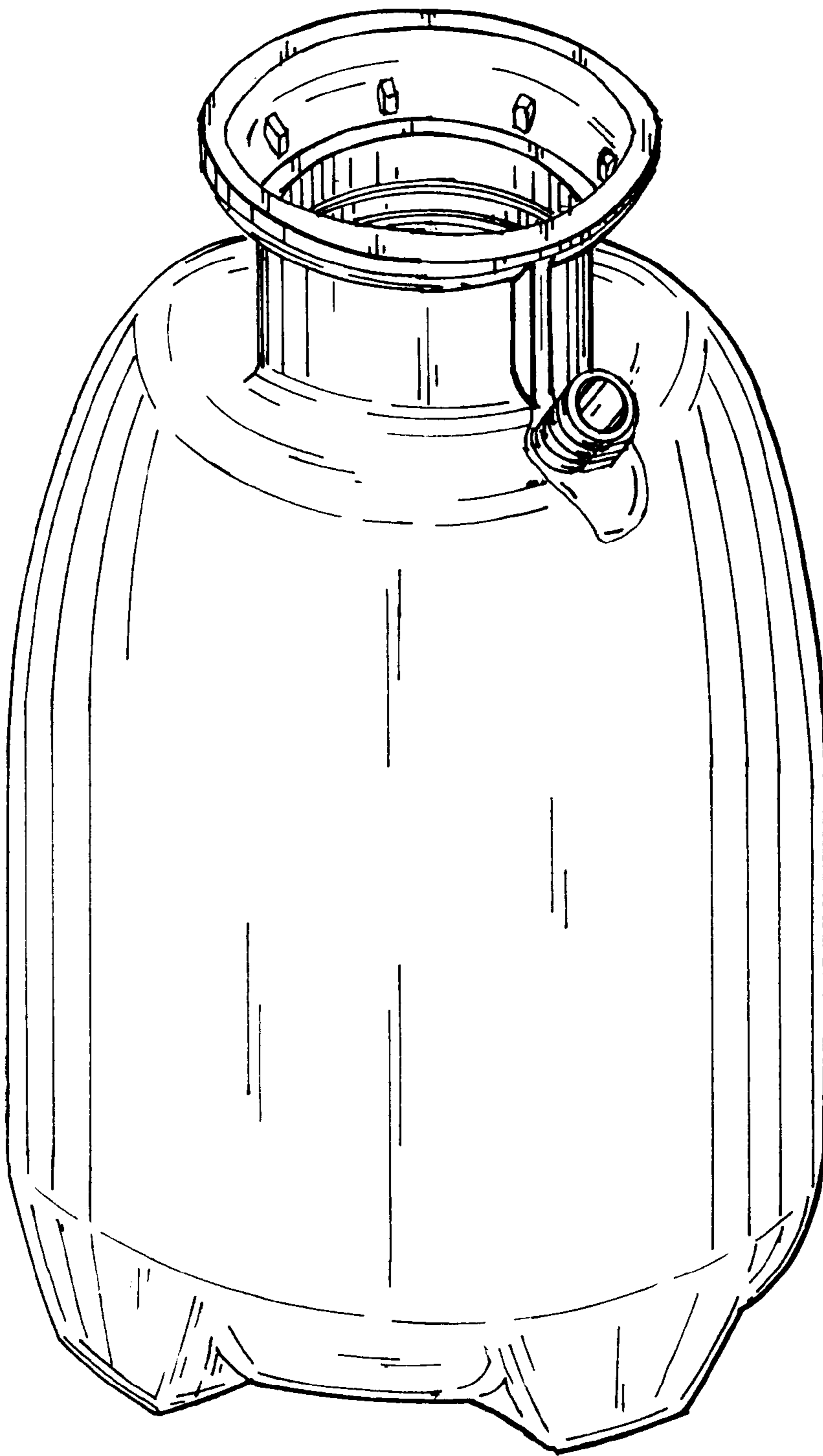


FIG. 1

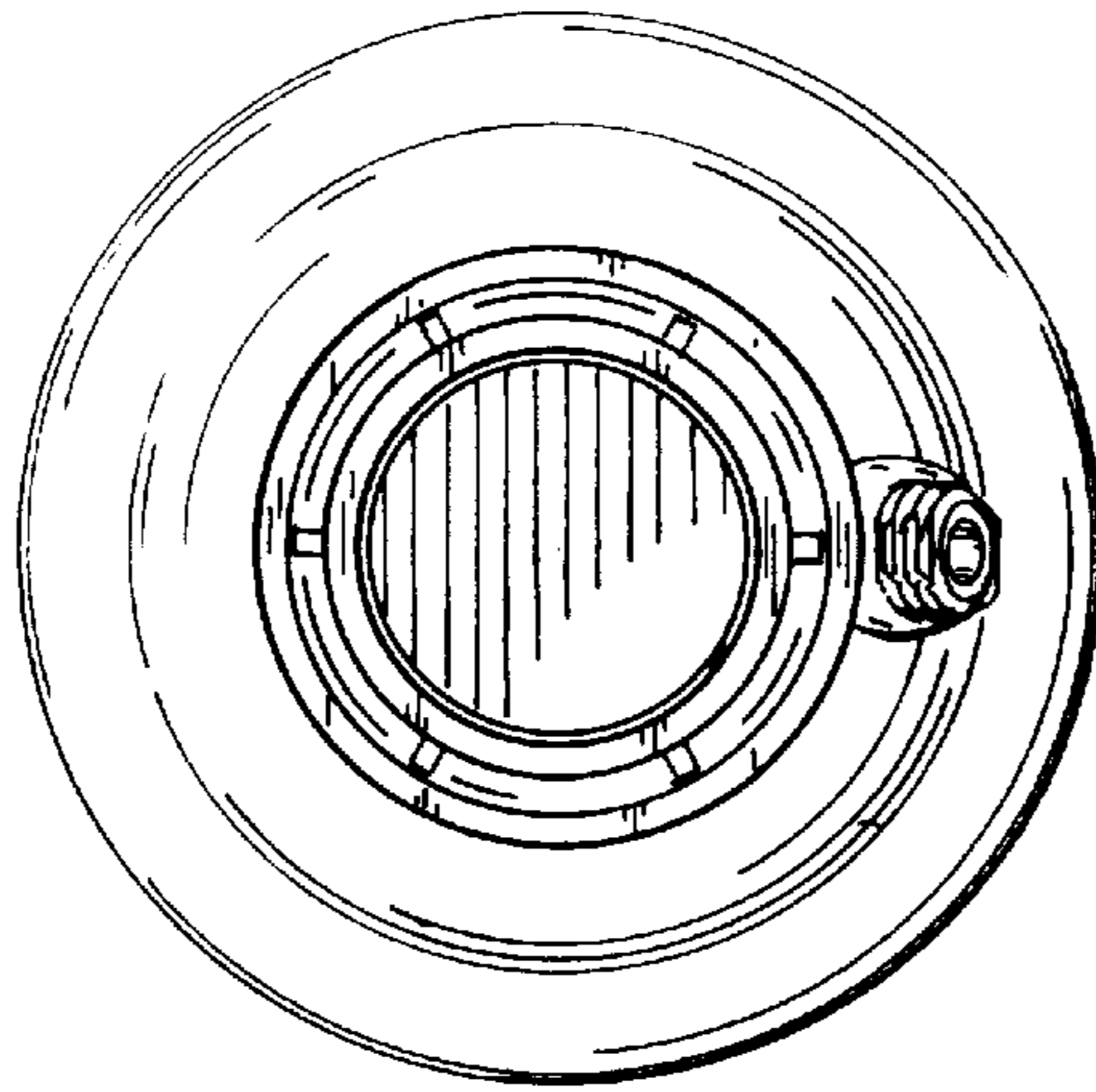


FIG. 2

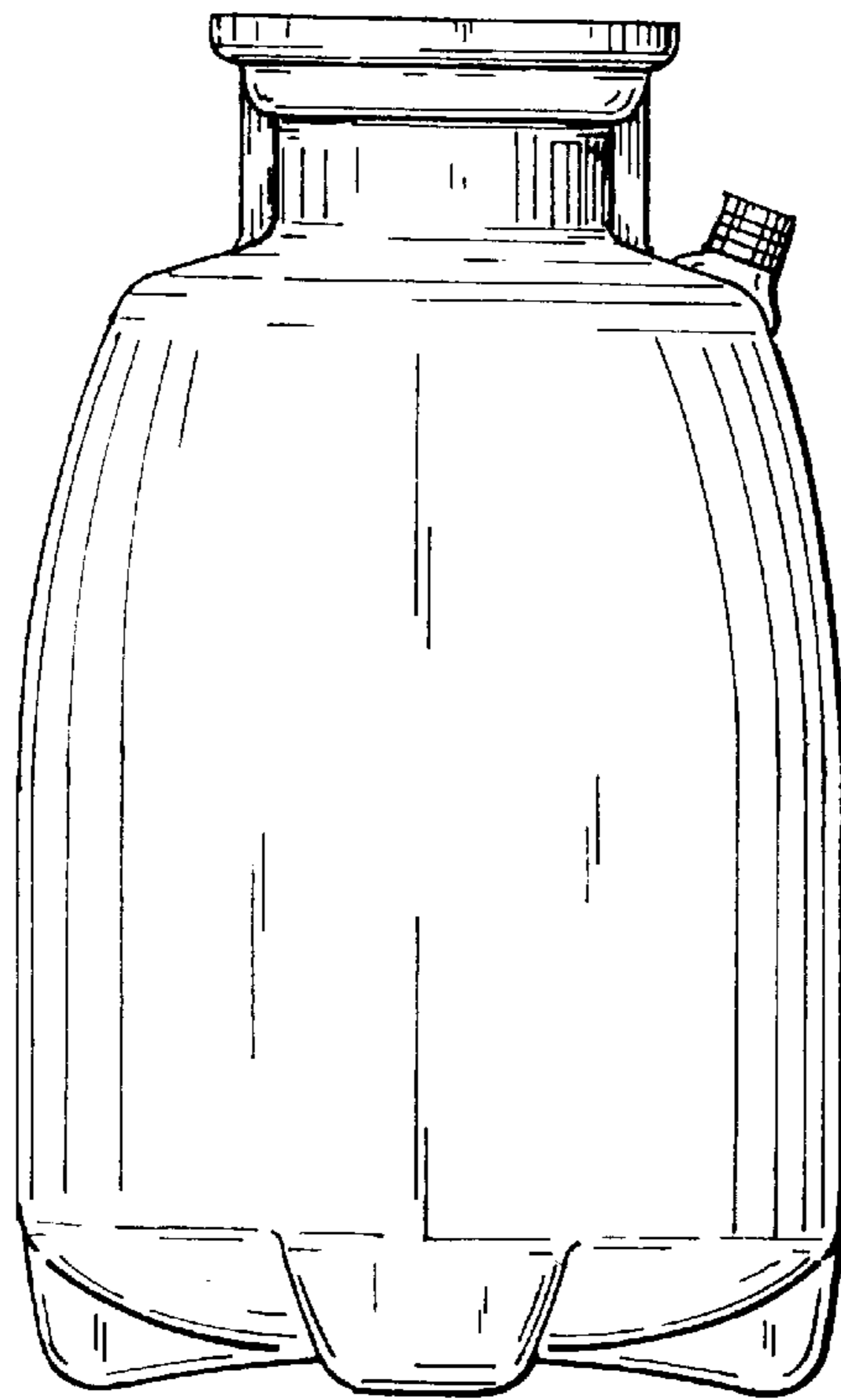


FIG. 3

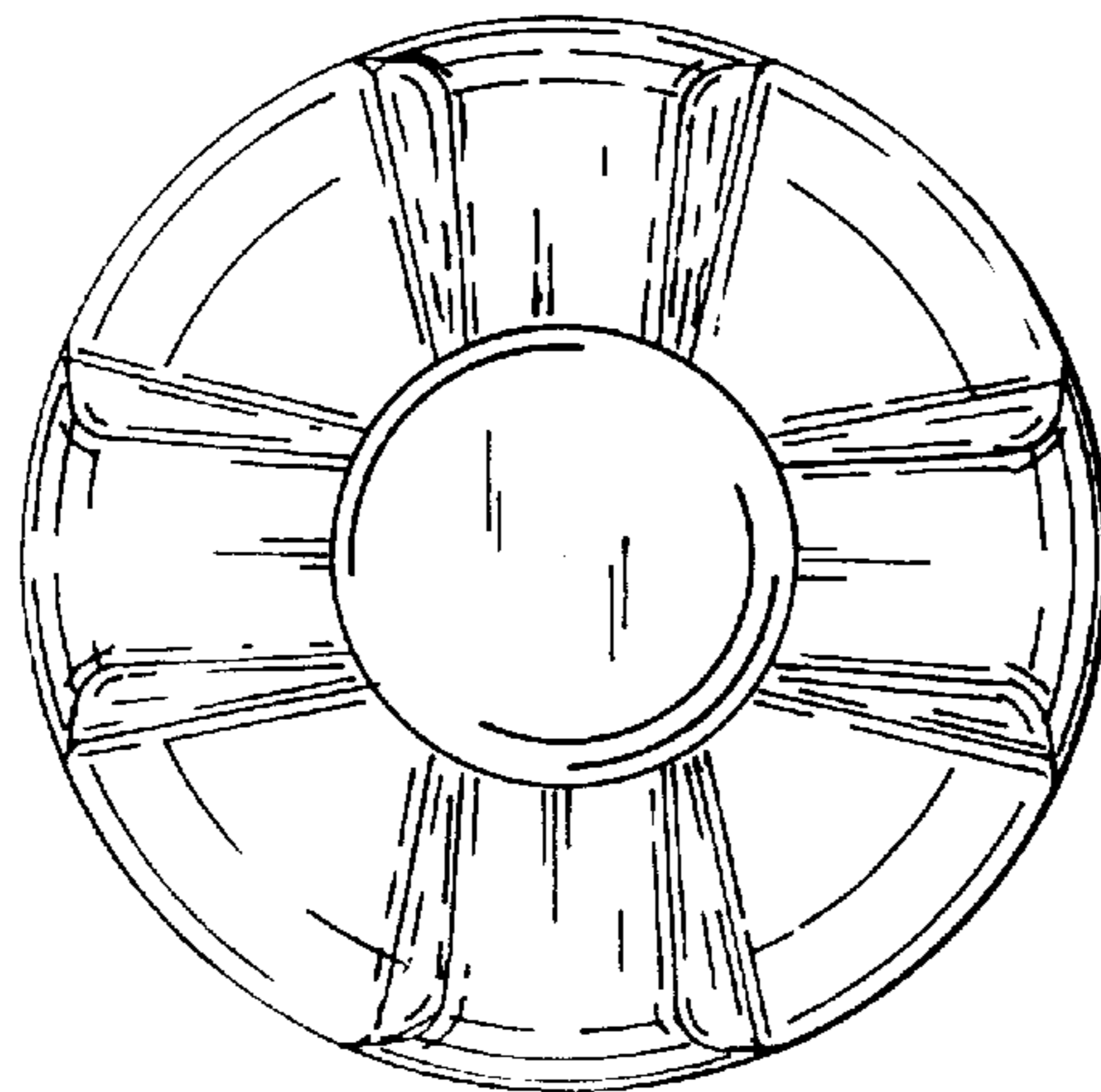


FIG. 4