



US00D431276S

# United States Patent [19]

Warkmeistetr

[11] Patent Number: Des. 431,276

[45] Date of Patent: \*\* Sep. 26, 2000

[54] TRAINING DEVICE FOR GOLFERS

D. 397,754 9/1998 Nguyen ..... D21/791  
D. 402,730 12/1998 Hicks ..... D21/791

[76] Inventor: **Ronald B. Warkmeistetr**, 4820 Fiesta Lakes, Las Vegas, Nev. 89130

Primary Examiner—Mitchell Siegel

[\*\*] Term: 14 Years

[57] CLAIM

[21] Appl. No.: 29/115,018

The ornamental design for a training device for golfers, as shown and described.

[22] Filed: Dec. 3, 1999

DESCRIPTION

[51] LOC (7) Cl. .... 21-02

[52] U.S. Cl. .... D21/791

[58] Field of Search ..... D21/791; 473/218, 473/270-273, 265

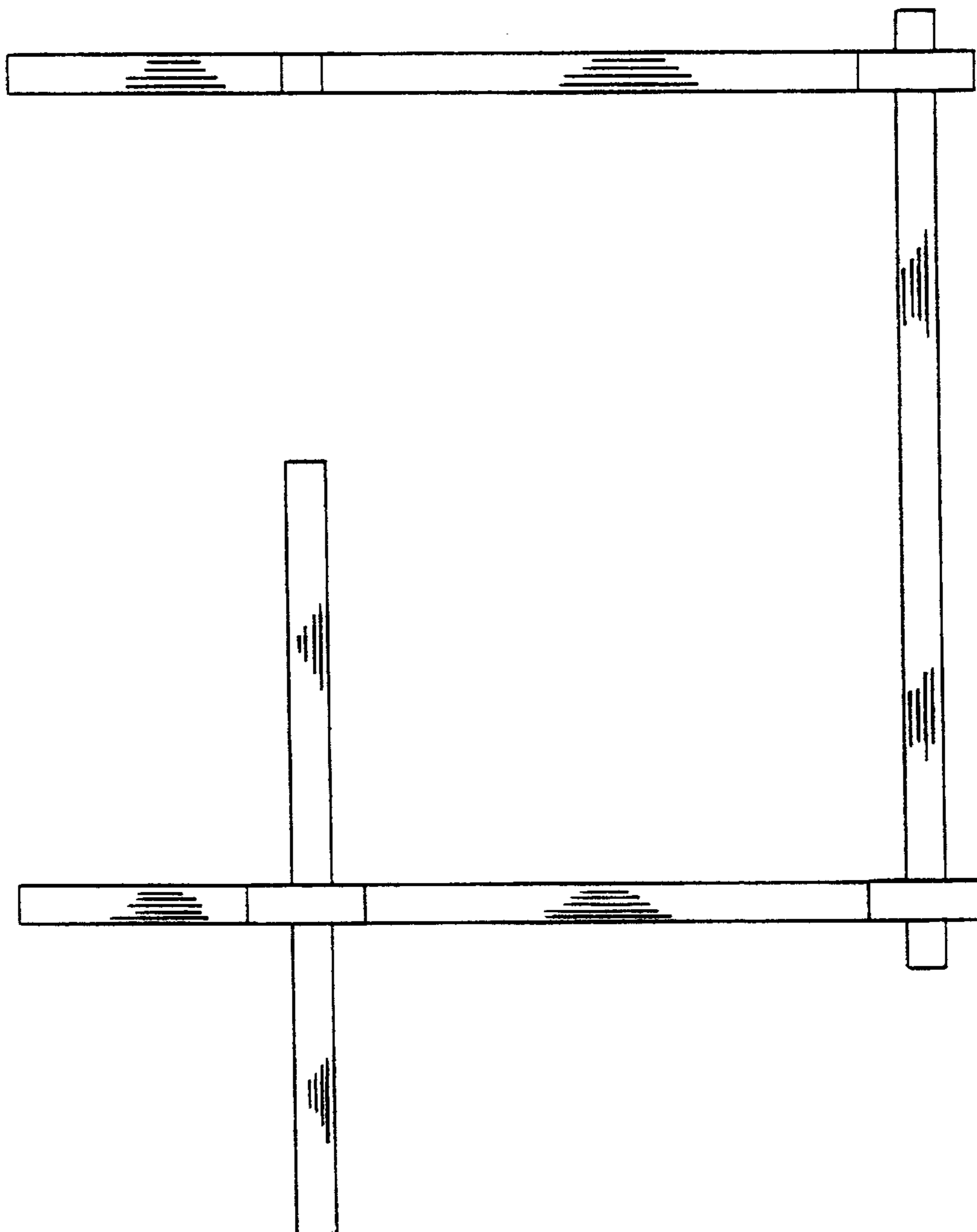
FIG. 1 is a top plan view;  
FIG. 2 is a front perspective view;  
FIG. 3 is a right side perspective view;  
FIG. 4 is a rear perspective view;  
FIG. 5 is a left side perspective view; and,  
FIG. 6 is a top left side perspective view thereof.  
The undisclosed bottom does not form part of the claimed design.

### [56] References Cited

#### U.S. PATENT DOCUMENTS

- D. 311,568 10/1990 Jacques ..... D21/791
- D. 312,116 11/1990 Spagnola ..... D21/791
- D. 372,288 7/1996 Deics ..... D21/791

1 Claim, 6 Drawing Sheets



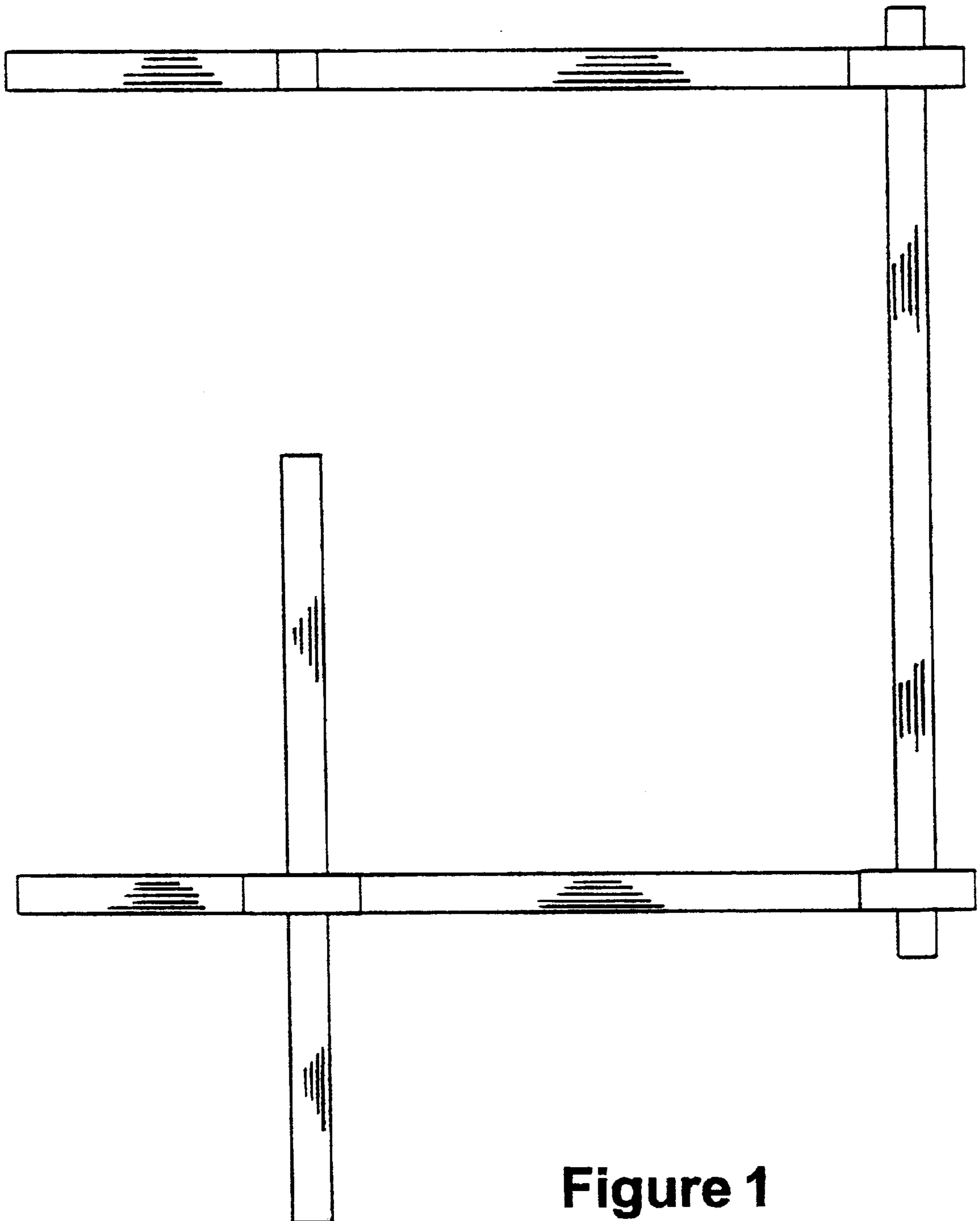
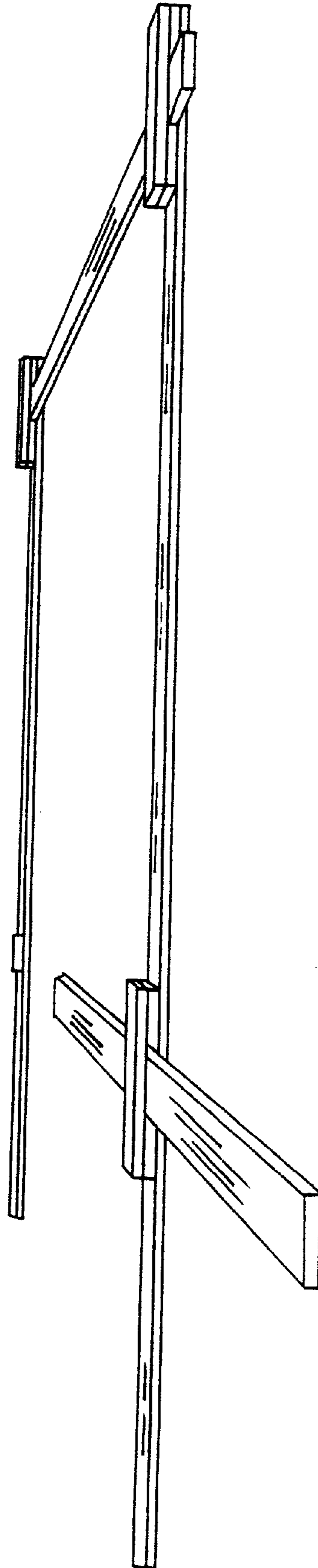
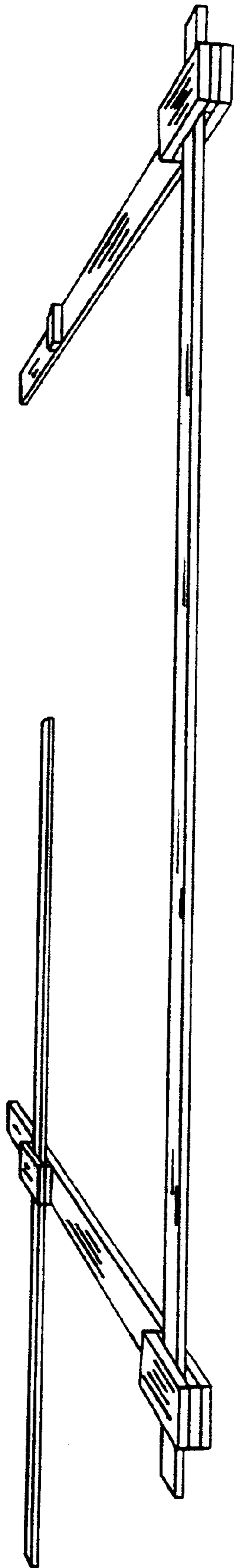


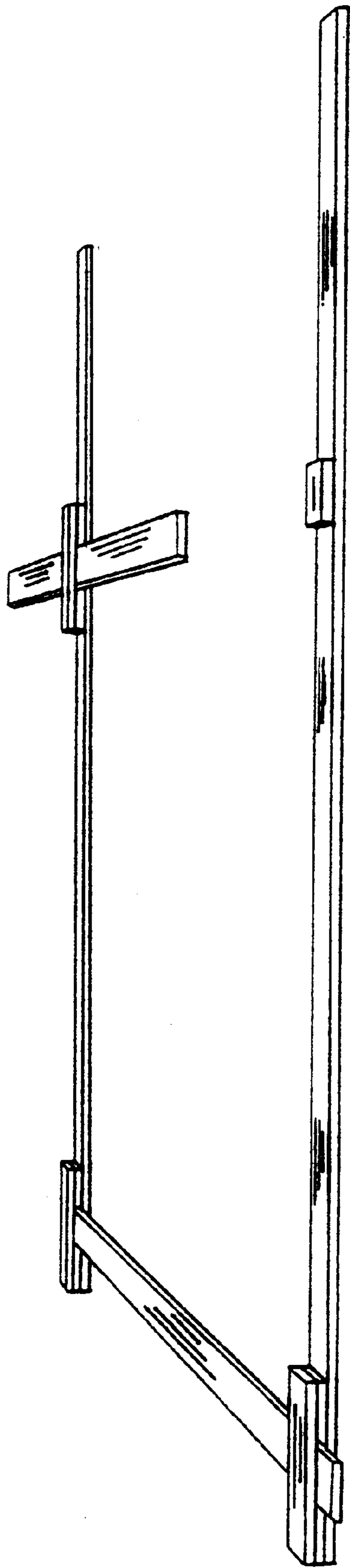
Figure 1



**FIGURE 2**



**FIGURE 3**



**FIGURE 4**

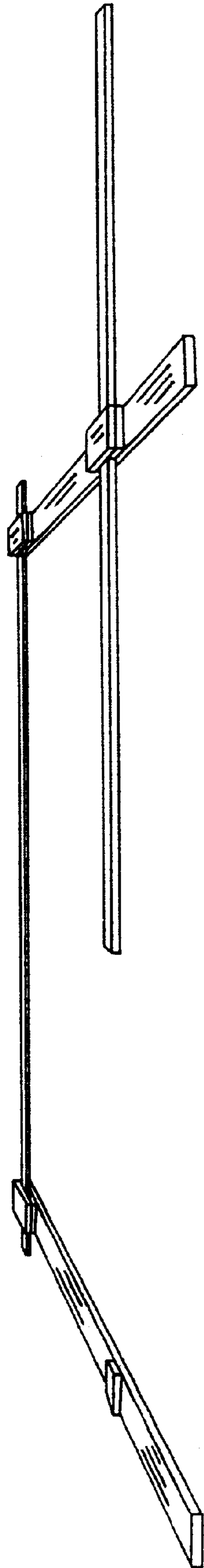
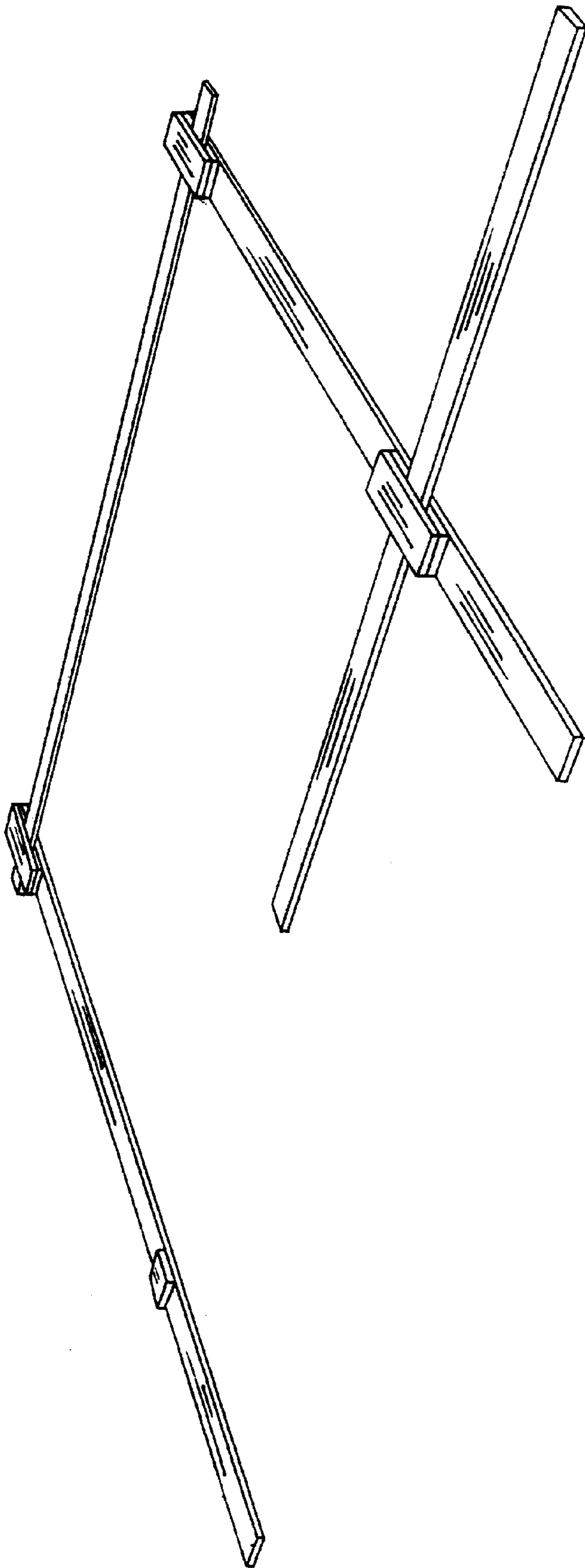


FIGURE 5



**FIGURE 6**