



US00D431275S

United States Patent [19]
Blankenbaker, Jr.

[11] **Patent Number: Des. 431,275**

[45] **Date of Patent: ** Sep. 26, 2000**

[54] **ADJUSTABLE BOOT BINDING MOUNT**

[76] Inventor: **William R. Blankenbaker, Jr.**, 35 1st. St., Atlantic Highlands, N.J. 07716

[**] Term: **14 Years**

[21] Appl. No.: **29/098,846**

[22] Filed: **Jan. 7, 1999**

[51] **LOC (7) Cl.** **21-02**

[52] **U.S. Cl.** **D21/773**

[58] **Field of Search** D21/771, 773;
280/607, 613-615, 623

5,727,797 3/1998 Bowles 280/14.2
5,913,530 6/1999 Berger et al. 280/607
5,915,718 6/1999 Dodge 280/607

Primary Examiner—Louis S. Zarfes
Assistant Examiner—Greg Andoll
Attorney, Agent, or Firm—Goldstein & Canino

[57] **CLAIM**

The ornamental design for an adjustable boot binding mount, as shown and described.

DESCRIPTION

FIG. 1 is a diagrammatic perspective view of the adjustable boot binding mount.

FIG. 2 is a top plan view of the adjustable boot binding mount.

FIG. 3 is a bottom plan view thereof.

FIG. 4 is a left side elevational view thereof.

FIG. 5 is a right side elevational view thereof.

FIG. 6 is a front elevational view of the adjustable boot binding mount; and,

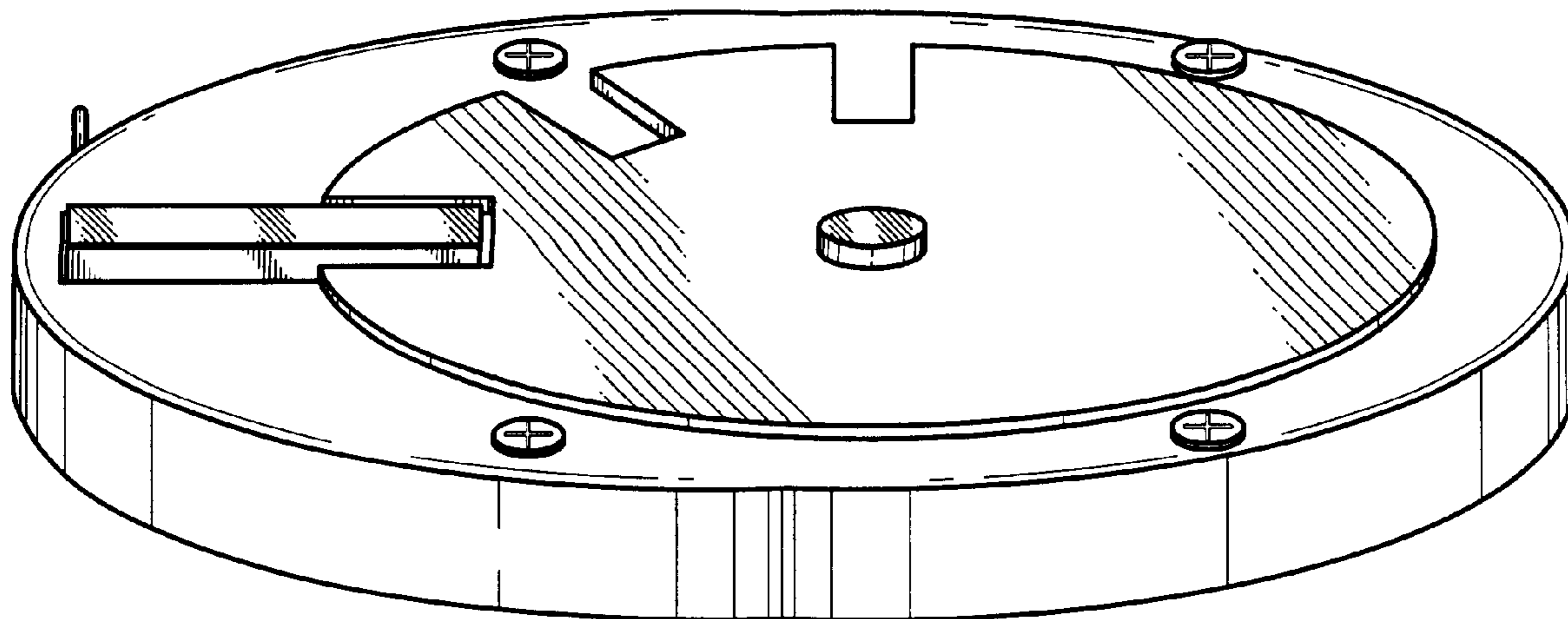
FIG. 7 is a rear elevational view thereof.

[56] **References Cited**

U.S. PATENT DOCUMENTS

D. 346,419	4/1994	Carpenter	D21/773
D. 410,985	6/1999	Lee	D21/773
5,035,443	7/1991	Kincheloe	280/618
5,310,206	5/1994	Eugler et al.	280/615
5,354,088	10/1994	Vetter	280/618
5,553,883	9/1996	Erb	280/607
5,577,755	11/1996	Metzger et al.	280/607
5,660,410	8/1997	Alden	280/627

1 Claim, 3 Drawing Sheets



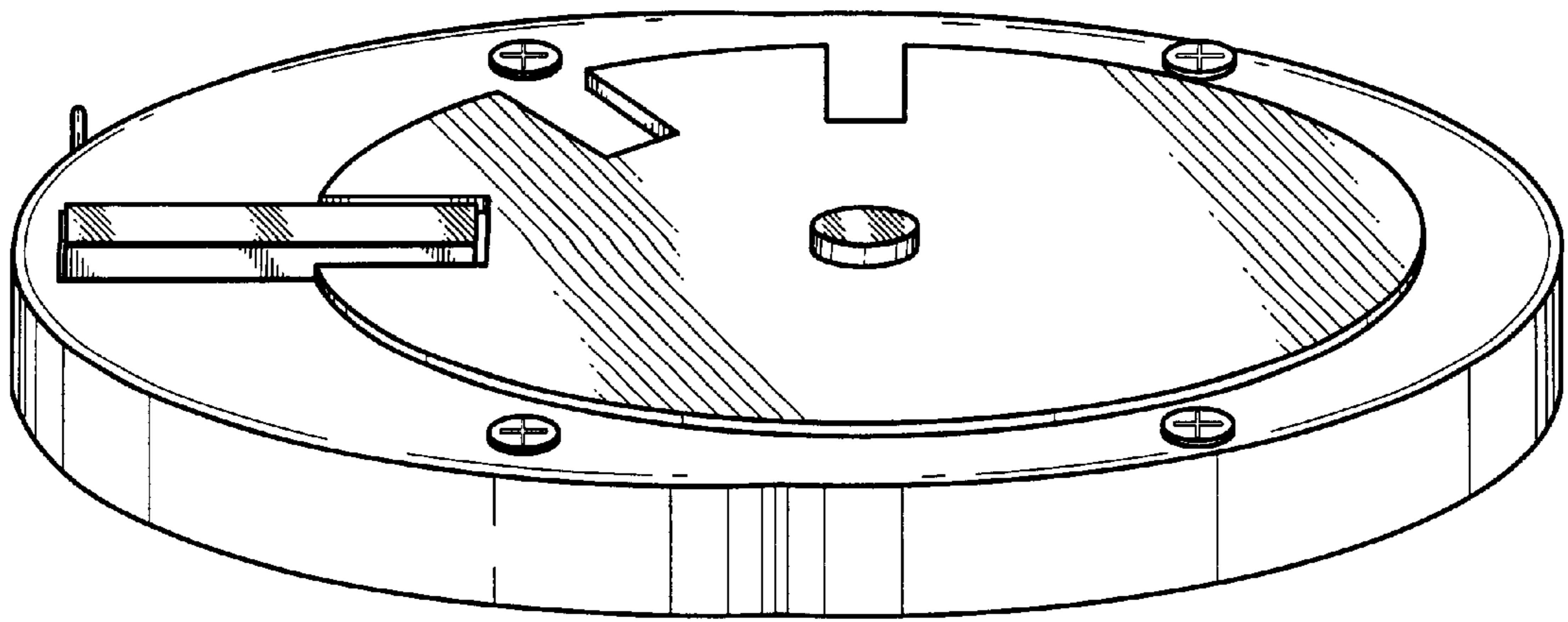


Fig. 1

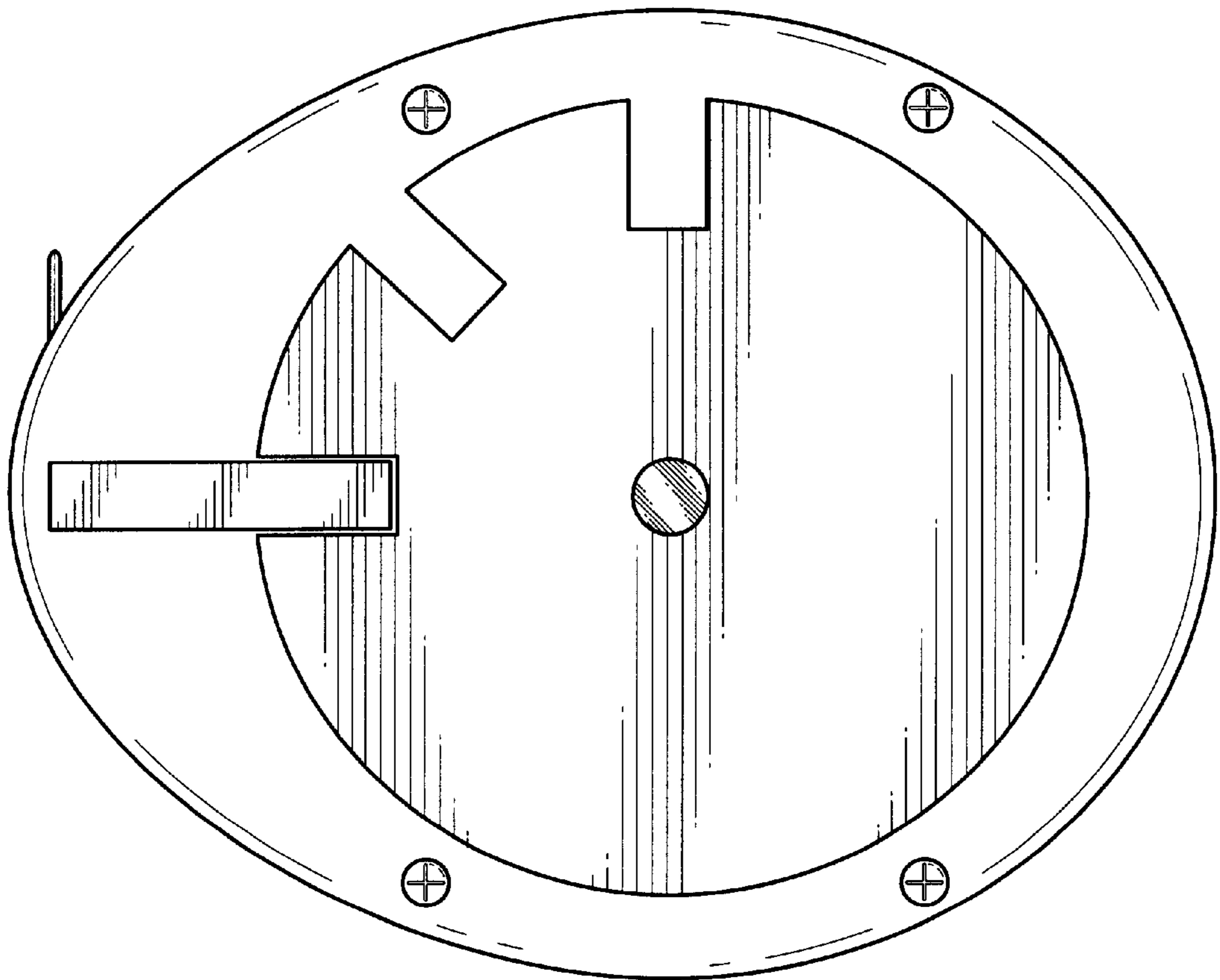


Fig. 2

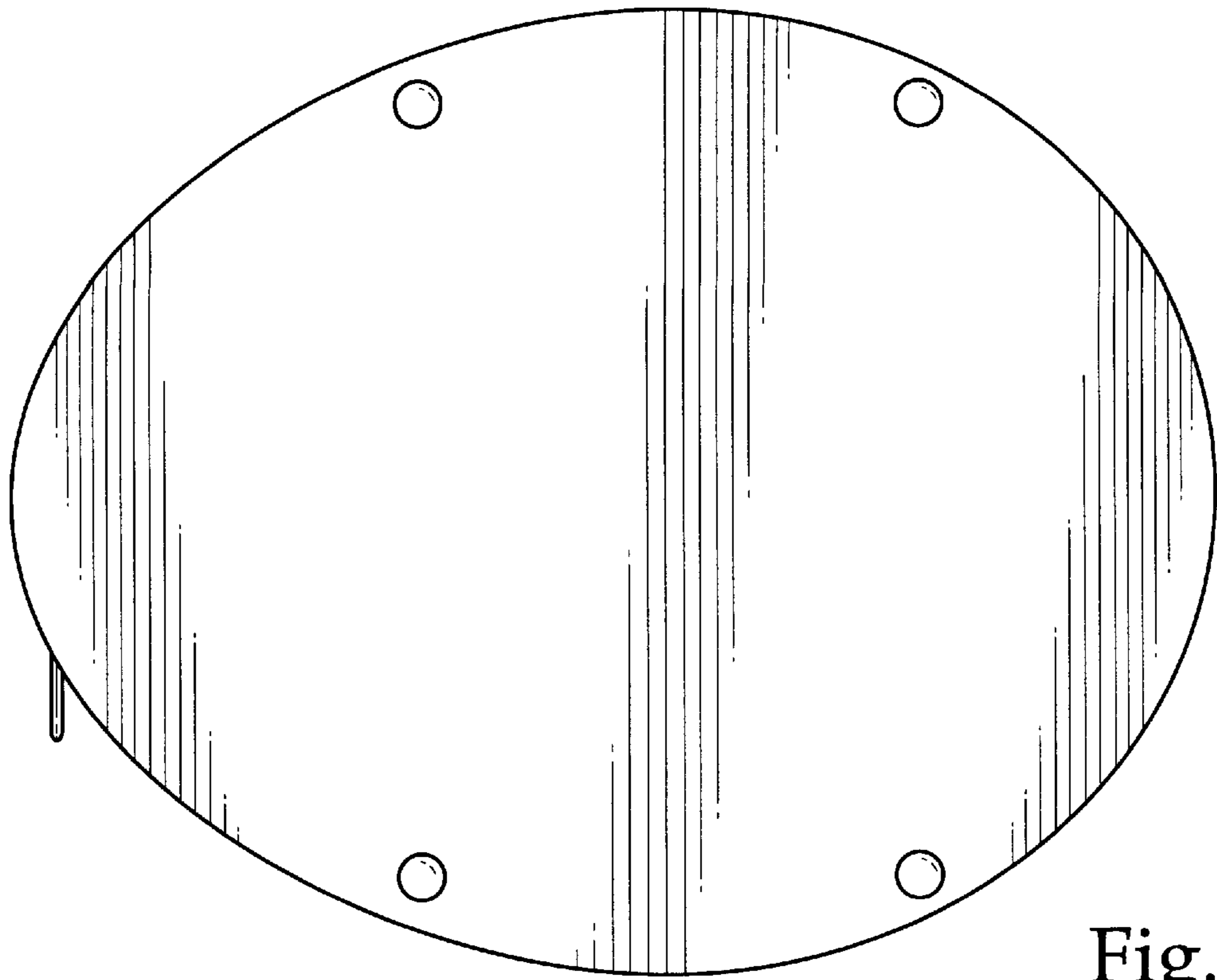


Fig. 3

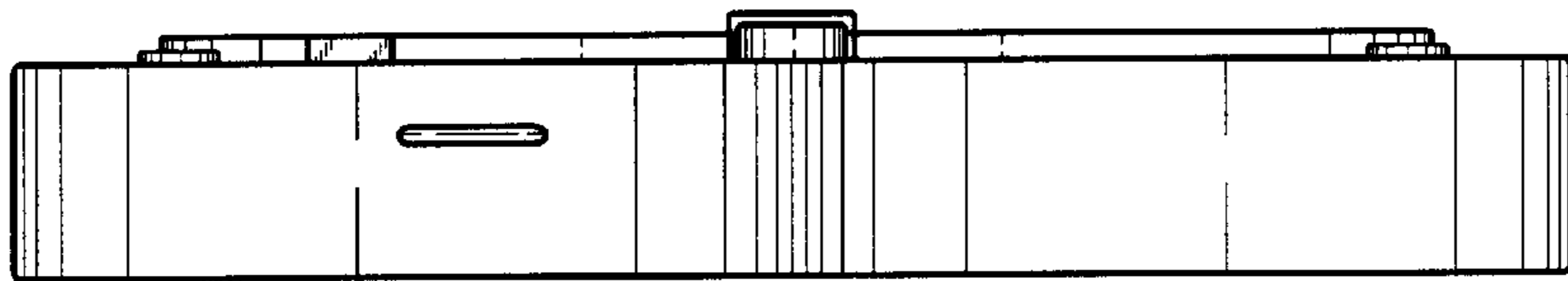


Fig. 4

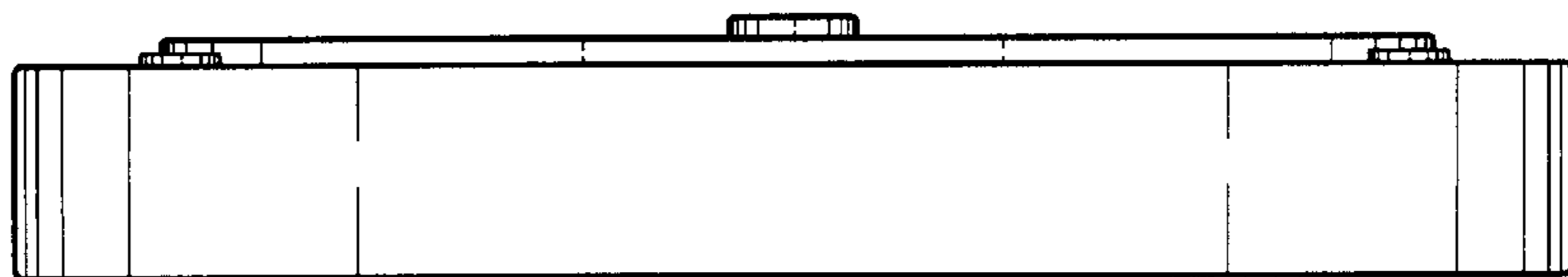


Fig. 5

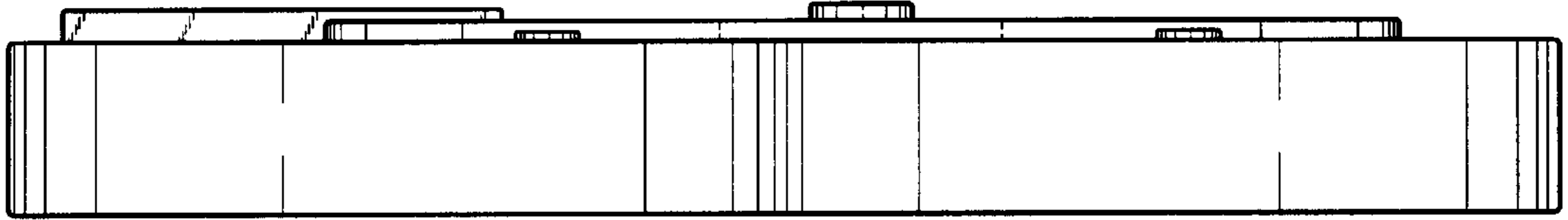


Fig. 6

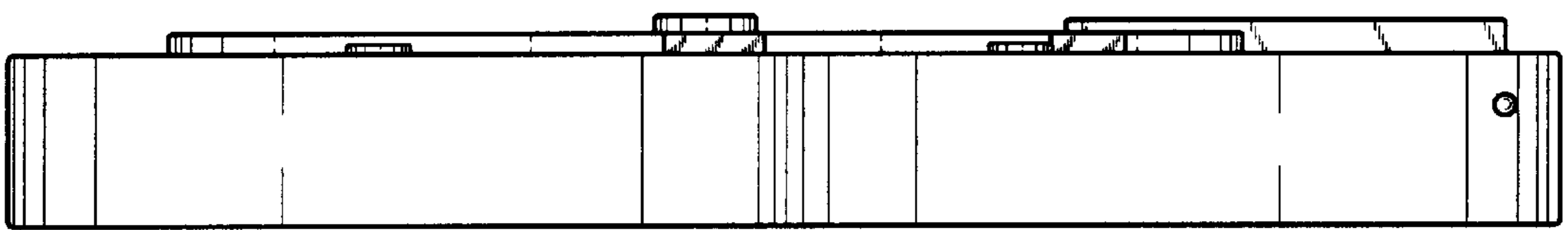


Fig. 7