



US00D431272S

United States Patent [19] Graham

[11] **Patent Number: Des. 431,272**

[45] **Date of Patent: ** Sep. 26, 2000**

[54] **POOL SIDE BASKETBALL DEVICE**

[75] Inventor: **Gregory W. Graham**, Tampa, Fla.

[73] Assignee: **Meese, Inc.**, Saddle Brook, N.J.

[**] Term: **14 Years**

[21] Appl. No.: **29/112,237**

[22] Filed: **Oct. 12, 1999**

[51] **LOC (7) Cl.** **21-02**

[52] **U.S. Cl.** **D21/702**

[58] **Field of Search** D21/701-704;
473/479, 481, 483, 485

[56] **References Cited**

U.S. PATENT DOCUMENTS

D. 320,637	10/1991	Fish et al.	D21/702
3,137,502	6/1964	Duganich	473/481
4,036,494	7/1977	Hayes	473/481
4,613,136	9/1986	Raba et al. .	

4,834,369 5/1989 Walsh 473/481
5,893,809 4/1999 Coates et al. 473/479

Primary Examiner—Richelle Shelton
Attorney, Agent, or Firm—Edward M. Livingston, Esq.

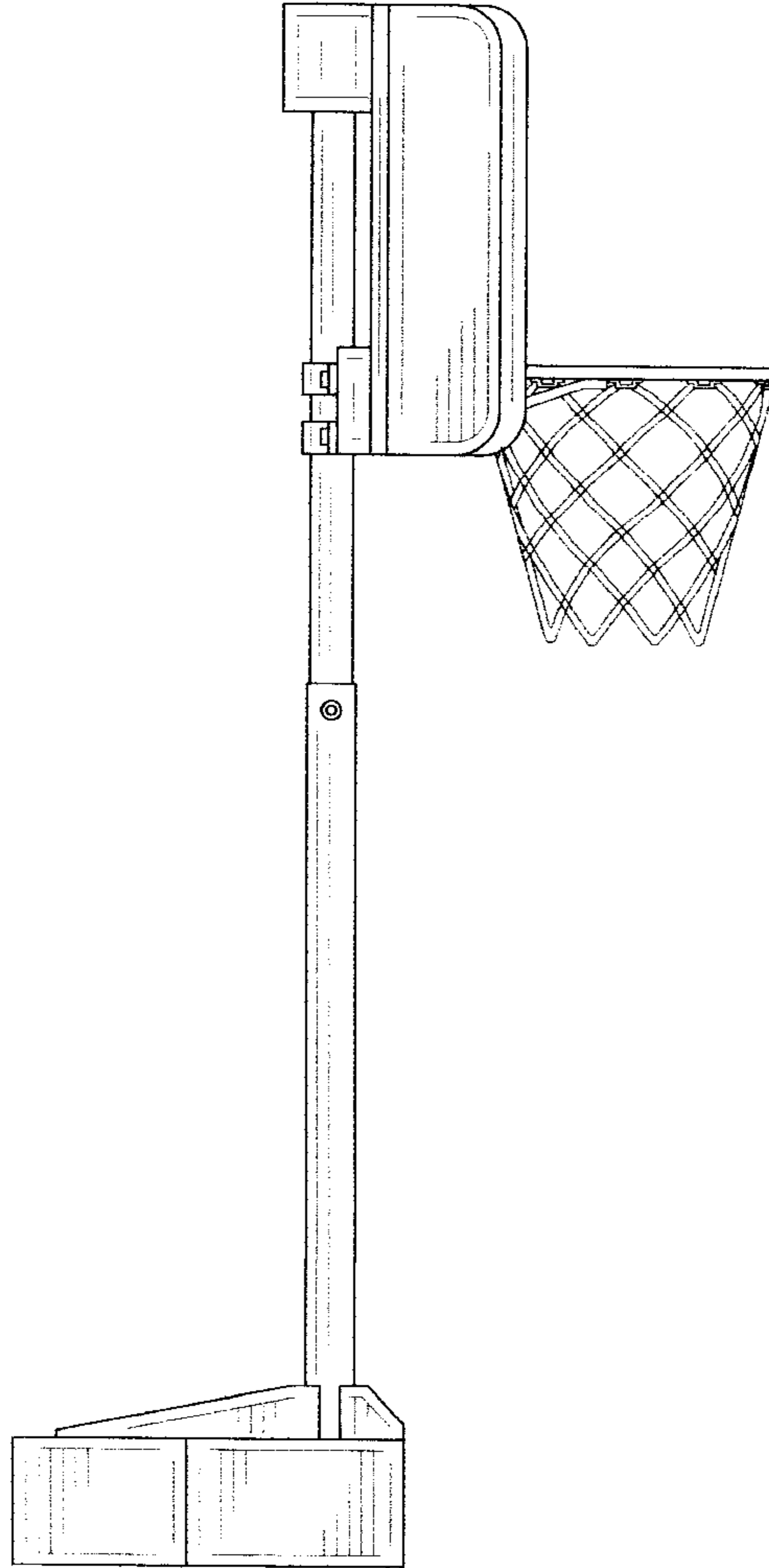
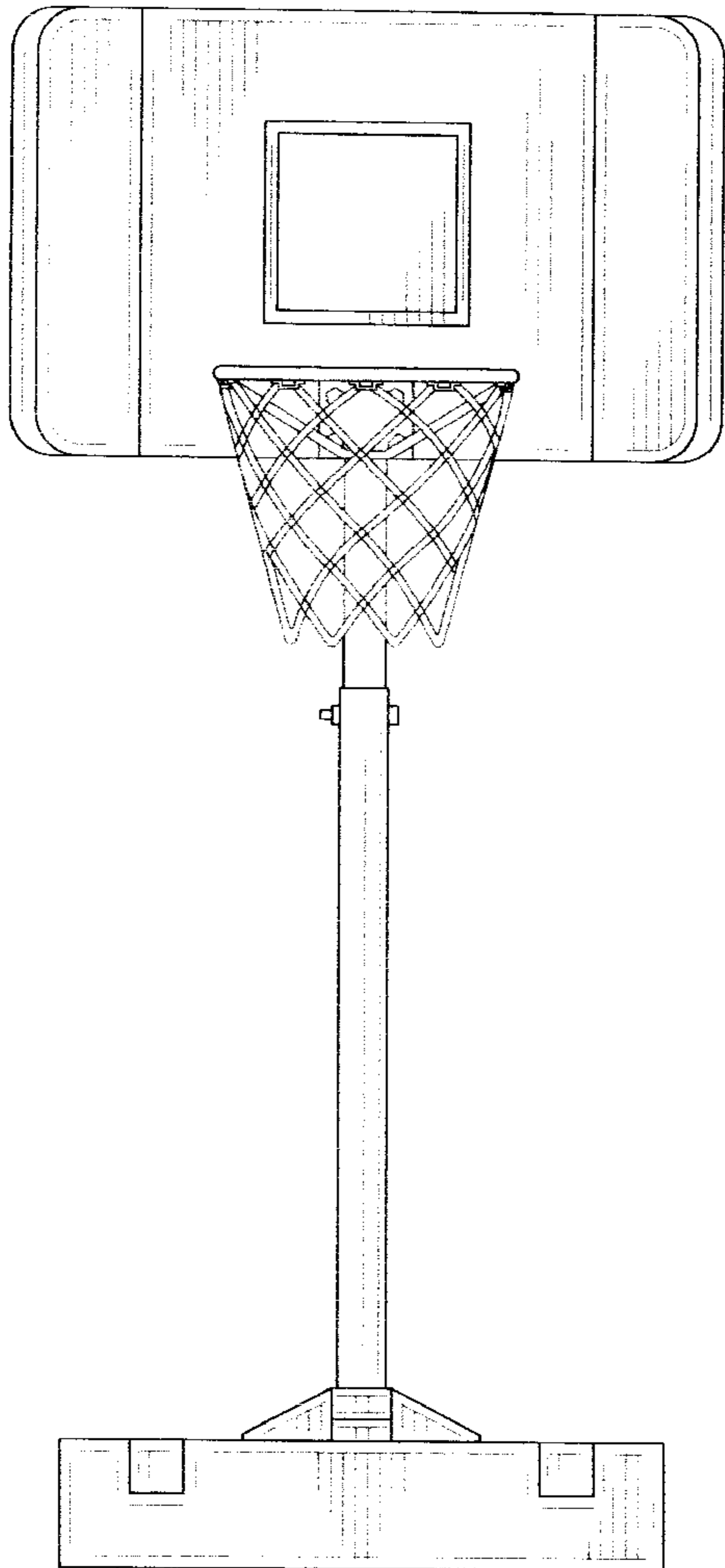
[57] **CLAIM**

The ornamental design for a pool side basketball device, as shown and described.

DESCRIPTION

FIG. 1 is a front elevational view of the pool side basketball device;
FIG. 2 is a left side elevational view of the pool side basketball device;
FIG. 3 is a right side elevational view of the pool side basketball device;
FIG. 4 is a back elevational view of the pool side basketball device;
FIG. 5 is a top view of the pool side basketball device; and,
FIG. 6 is a bottom view of the pool side basketball device.

1 Claim, 3 Drawing Sheets



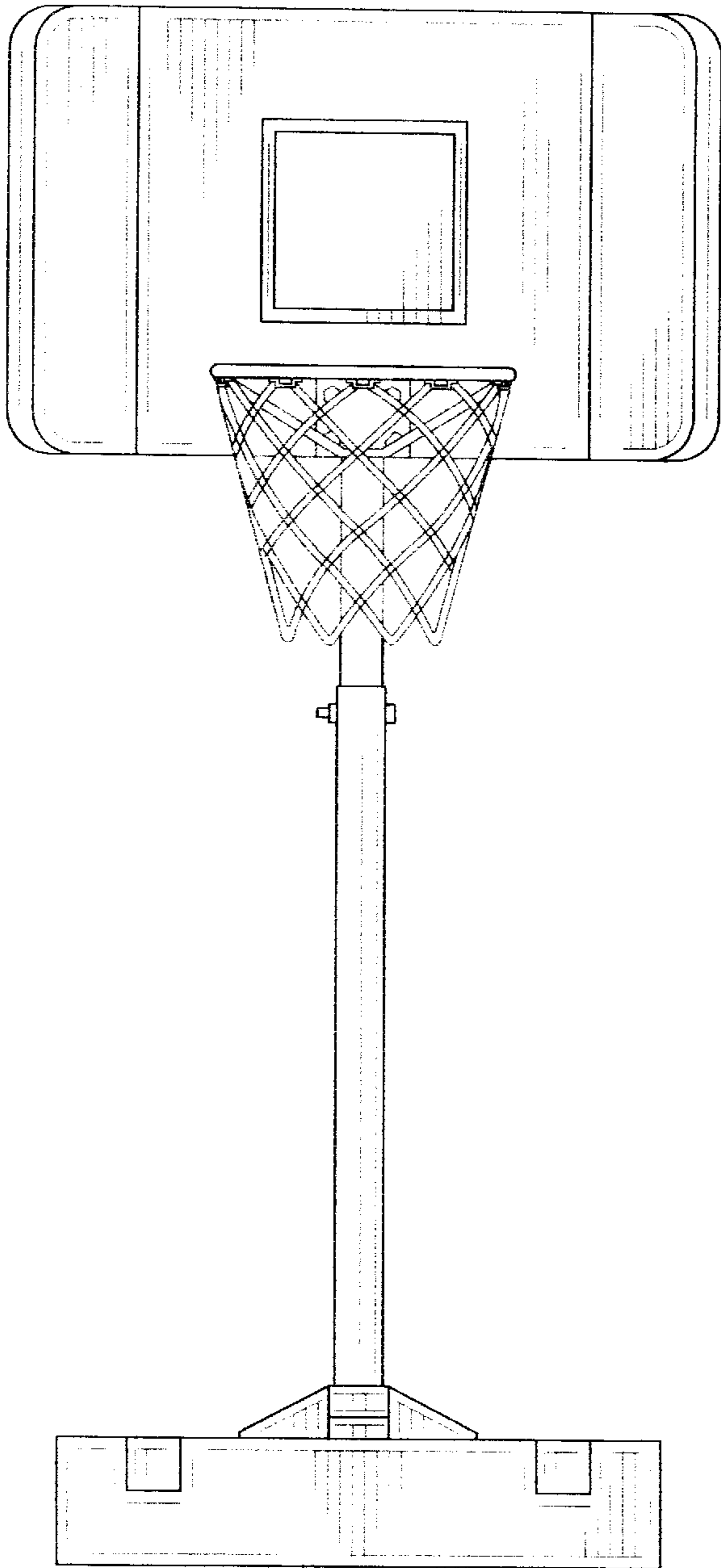


FIG. 1

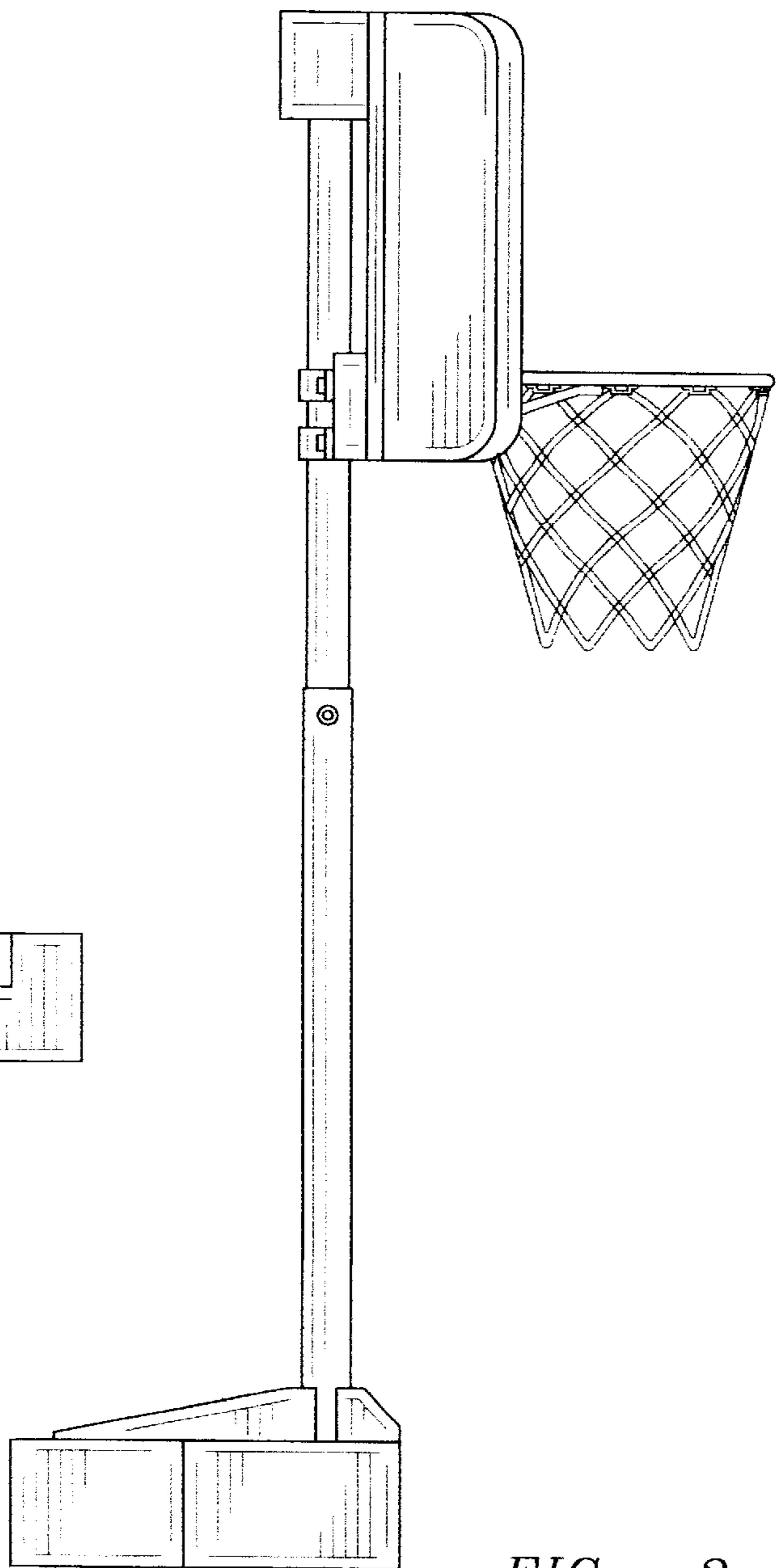


FIG. 2

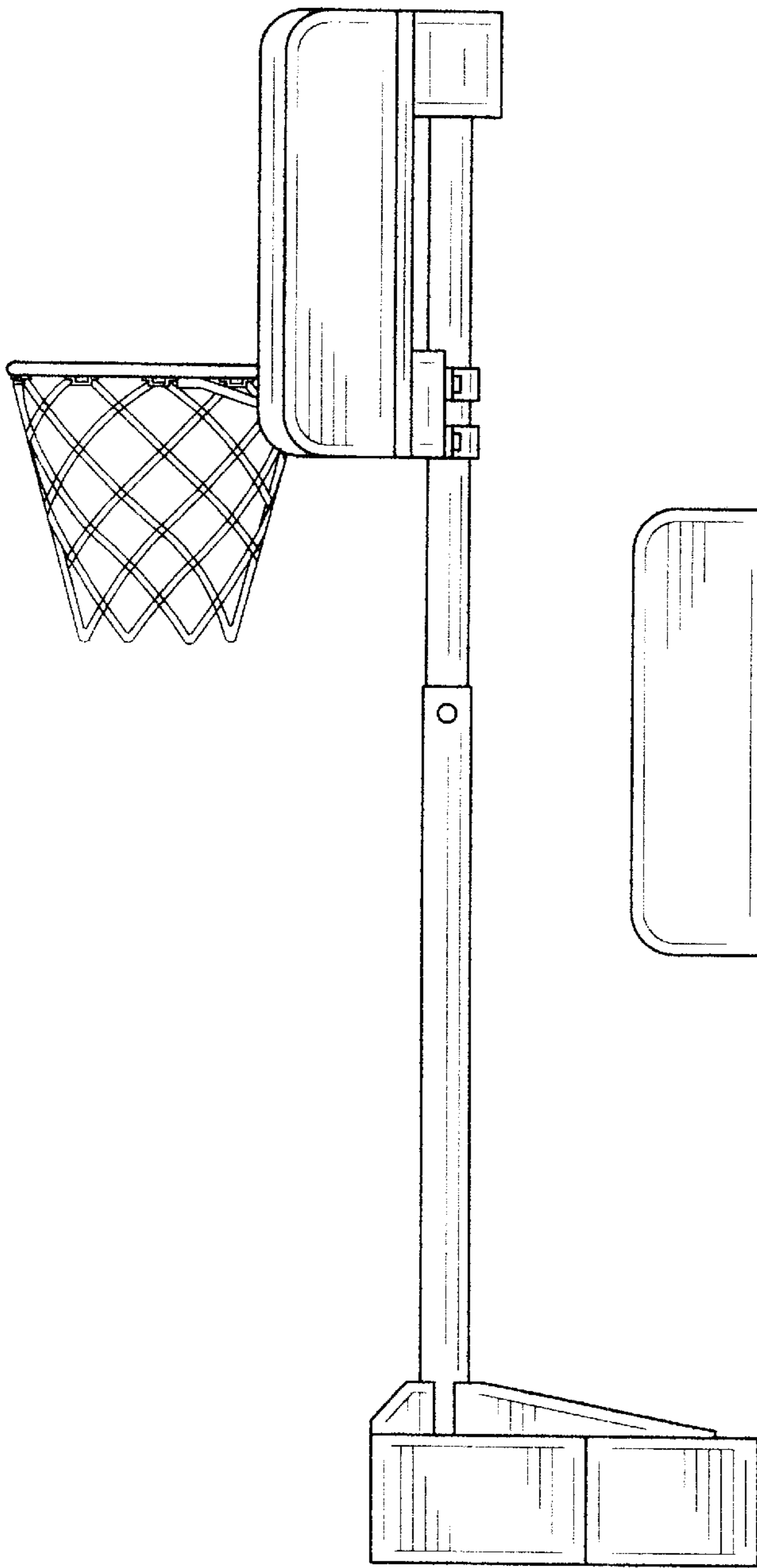


FIG. 3

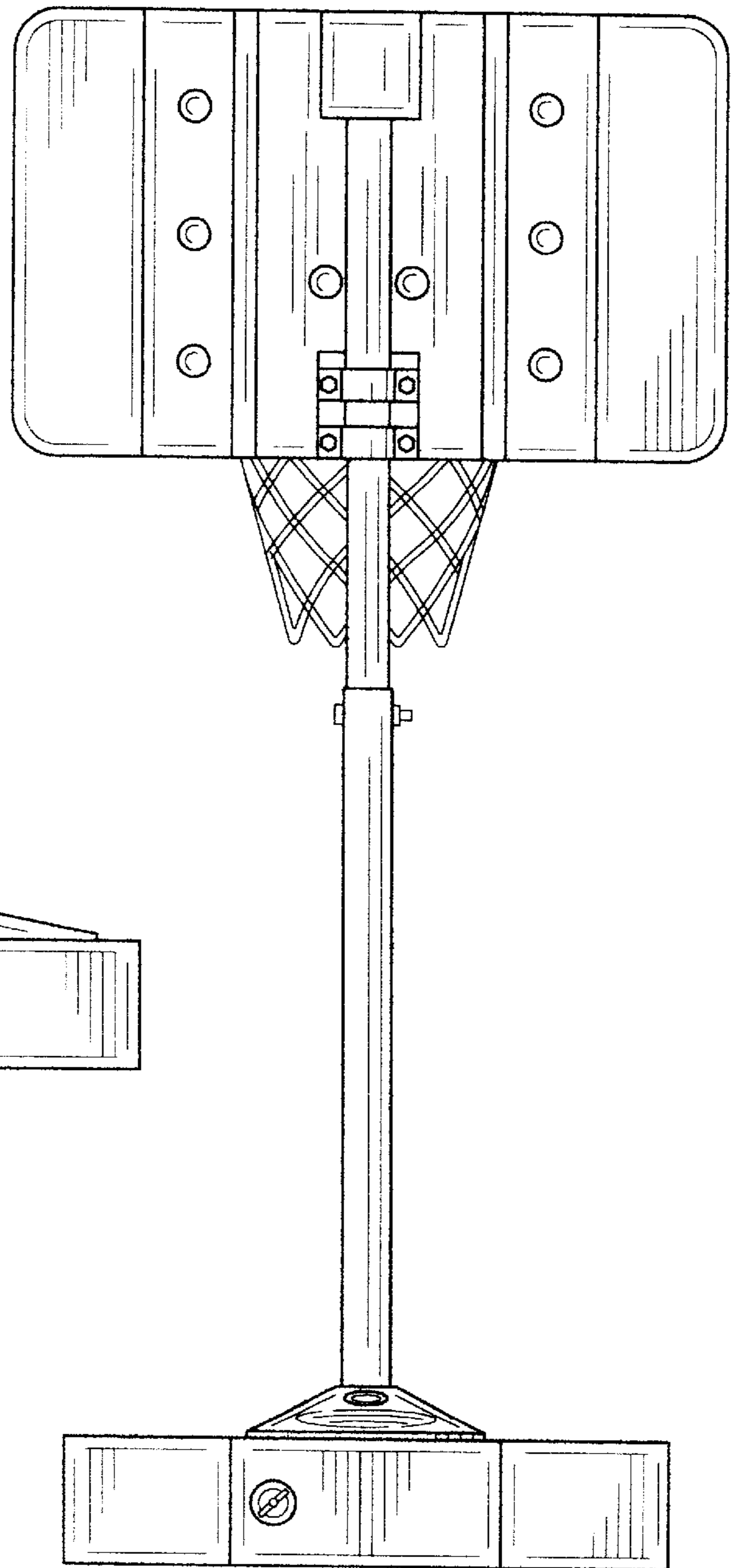


FIG. 4

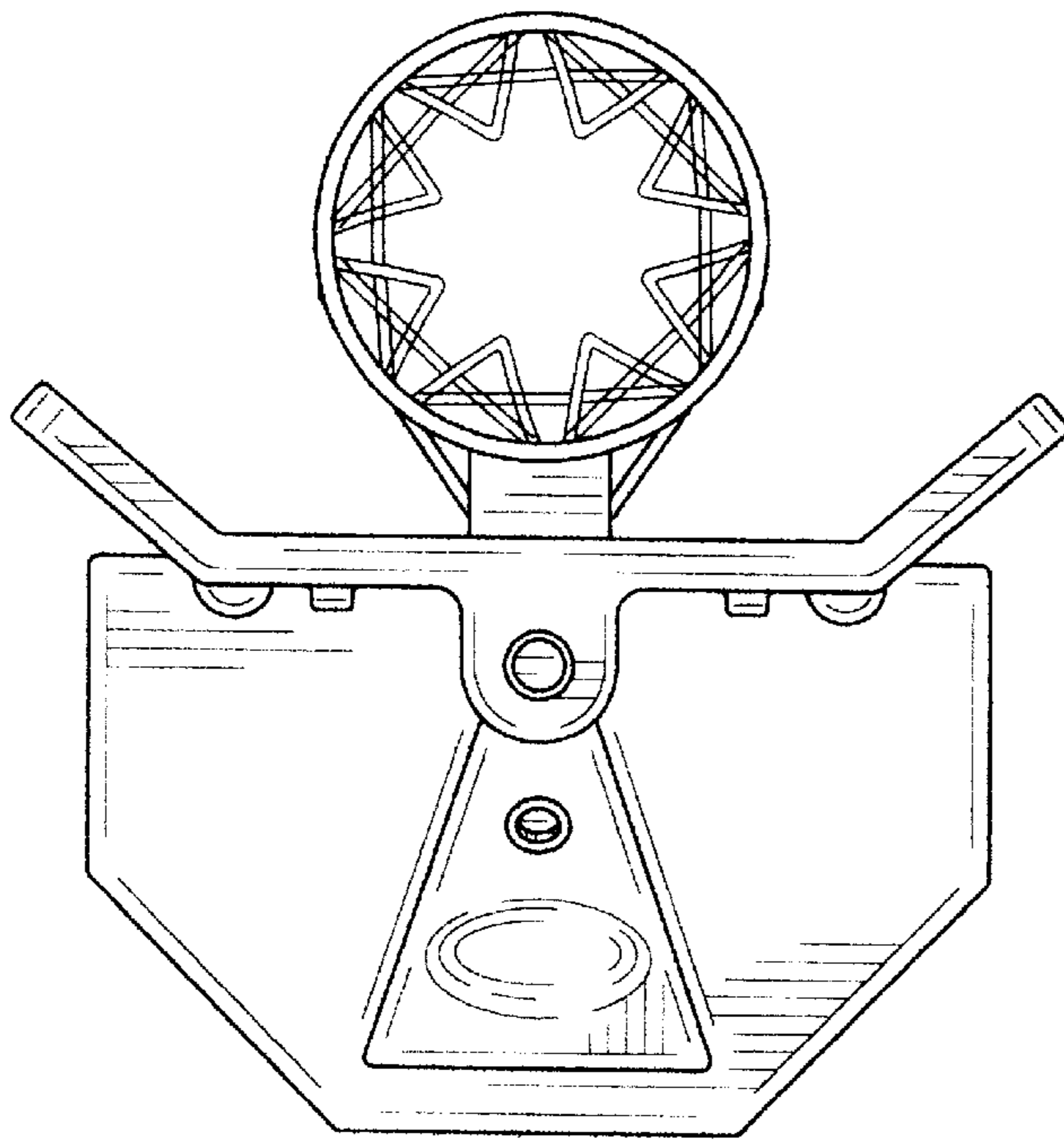


FIG. 5

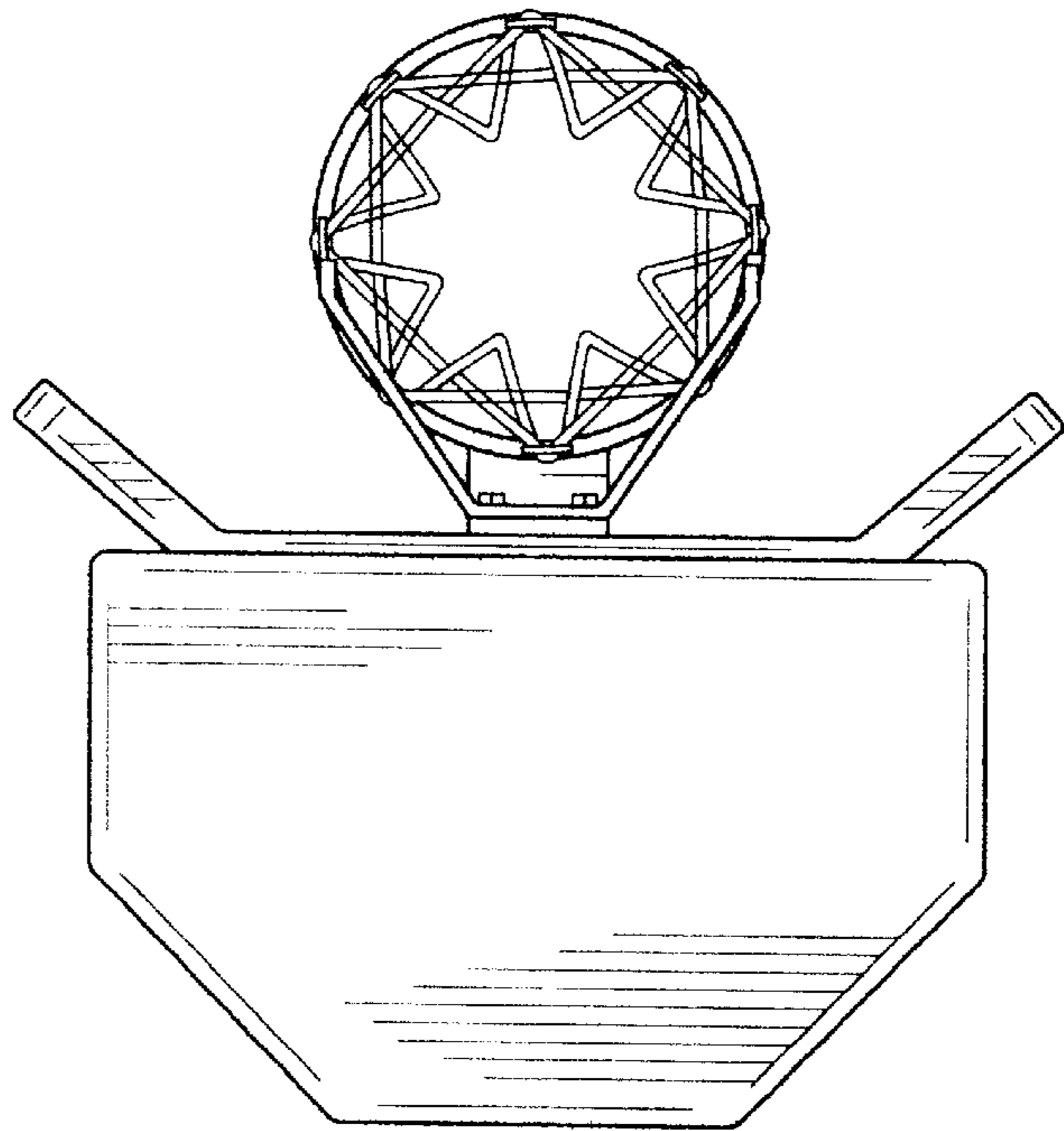


FIG. 6