



US00D431270S

United States Patent [19]

Kawakita et al.

[11] Patent Number: Des. 431,270

[45] Date of Patent: ** Sep. 26, 2000

[54] TOY

DM/042 686 4/1998 Hague Agreement .

[75] Inventors: **Kozo Kawakita; Takeshi Yamagishi; Hiroshi Osawa; Kazuhiro Kato; Yoshiaki Kumagai; Shuichi Kobayashi**, all of Tokyo; **Masaki Nagatsuka**, Chiba; **Hajime Sorayama**, Tokyo, all of Japan

Primary Examiner—Sandra L. Morris
Attorney, Agent, or Firm—Rader, Fishman&Grauer

[57] CLAIM

The ornamental design for a toy, as shown and described.

DESCRIPTION

[73] Assignee: **Sony Corporation**, Japan

FIG. 1 is a perspective view of a first embodiment of a toy showing our new design;

[**] Term: **14 Years**

FIG. 2 is a top plan view thereof;

[21] Appl. No.: **29/106,077**

FIG. 3 is a bottom plan view thereof;

[22] Filed: **Jun. 10, 1999**

FIG. 4 is a left side elevational view thereof;

[51] **LOC (7) Cl.** **21-01**

FIG. 5 is a right side elevational view thereof;

[52] **U.S. Cl.** **D21/611**

FIG. 6 is a front elevational view thereof; and

[58] **Field of Search** D21/576, 578,
D21/579, 584, 585, 587, 588, 592, 611;
446/97, 98, 153, 268, 269, 369

FIG. 7 is a rear elevational view thereof.

[56] References Cited

FIG. 8 is a perspective view of a second embodiment of a toy showing our new design;

U.S. PATENT DOCUMENTS

D. 178,513	8/1956	Glass	D21/578
D. 186,323	10/1959	Kinniburgh	D21/611
D. 266,777	11/1982	Lucas, Jr. et al.	D21/1
D. 305,053	12/1989	Doi	D21/163
D. 307,778	5/1990	Shinohara	D21/584
D. 373,801	9/1996	Doi et al.	D21/611
D. 418,551	1/2000	Kageyama et al.	D21/584
D. 421,634	3/2000	Kageyama et al.	D21/584

FIG. 9 is a top plan view thereof;

FIG. 10 is a bottom plan view thereof;

FIG. 11 is a left side elevational view thereof;

FIG. 12 is a right side elevational view thereof;

FIG. 13 is a front elevational view thereof; and,

FIG. 14 is a rear elevational view thereof.

FIG. 15 is a reference perspective view of the first embodiment, wherein the toy is in a using position; and,

FIG. 16 is a reference perspective view of the second embodiment wherein the toy is in a using position.

The broken line showing of the toy in FIGS. 15 and 16 is for illustrative purposes only and forms no part of claimed design.

FOREIGN PATENT DOCUMENTS

DM/041 388 12/1997 Hague Agreement .

1 Claim, 10 Drawing Sheets

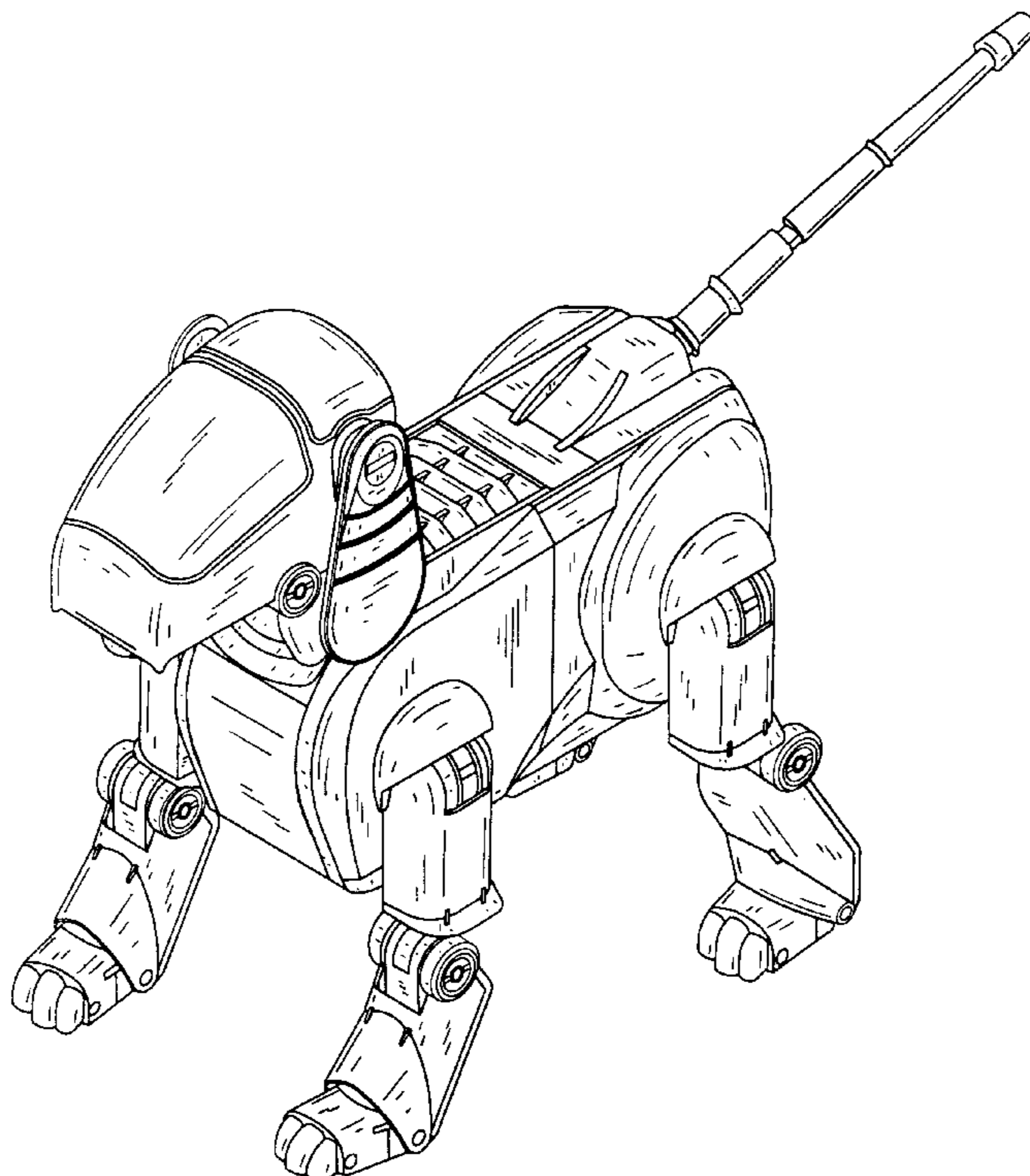


FIG. 1

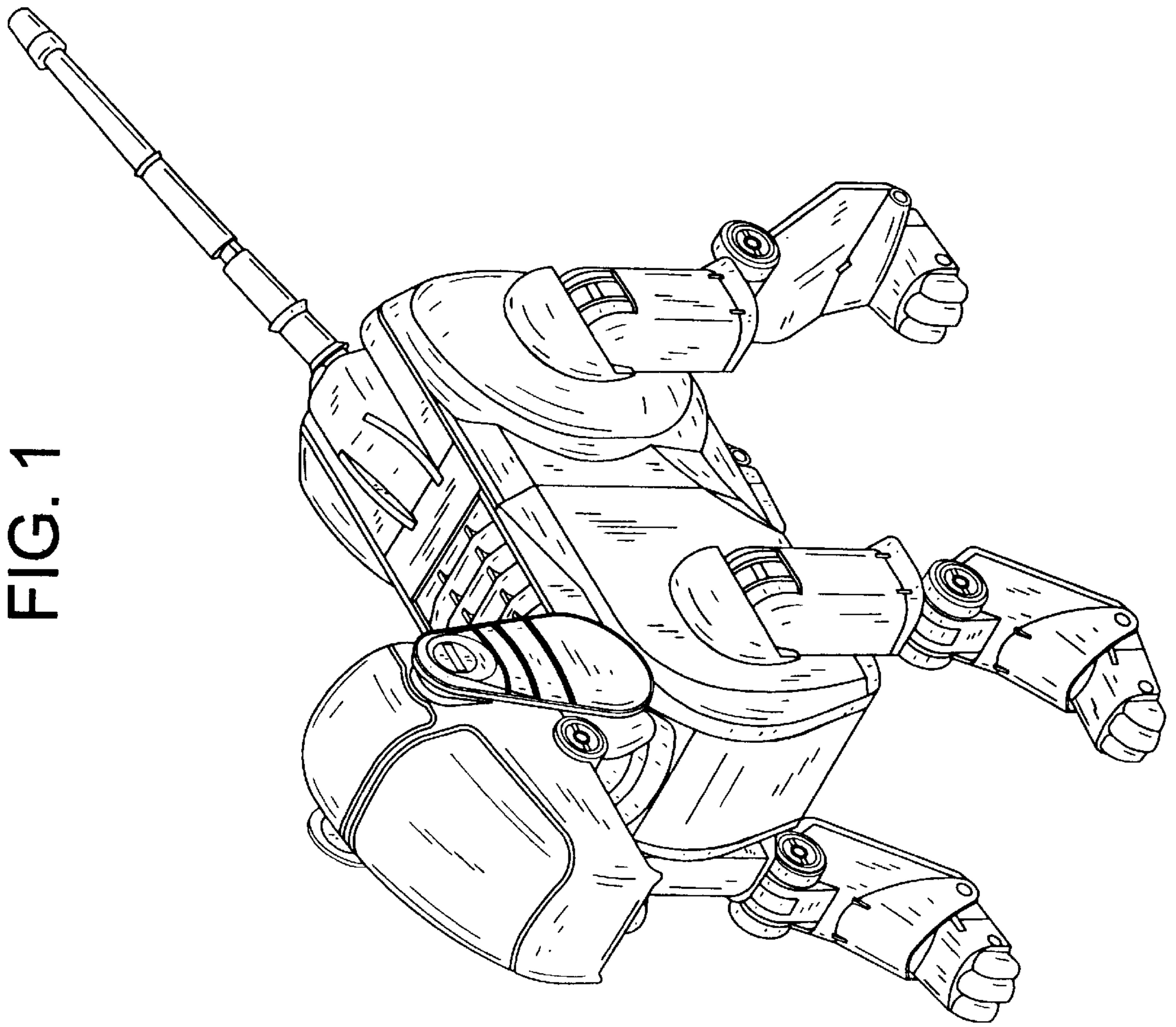


FIG. 3

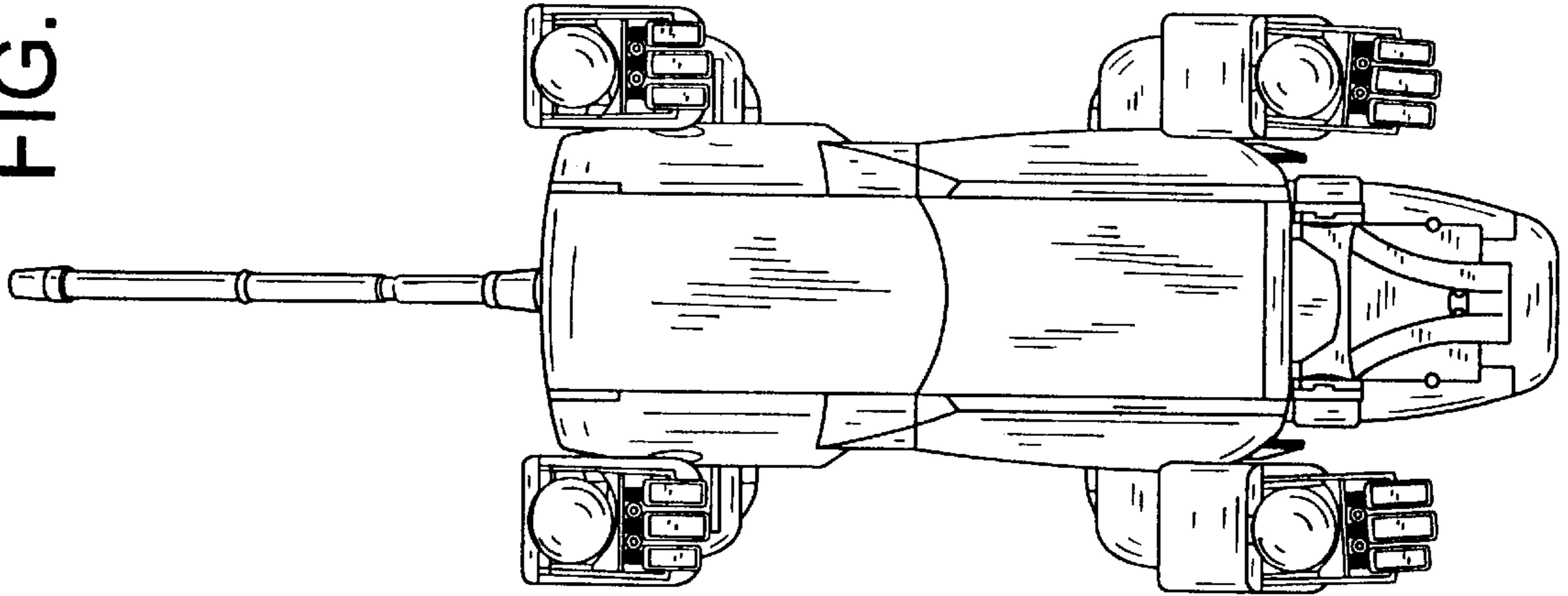


FIG. 2

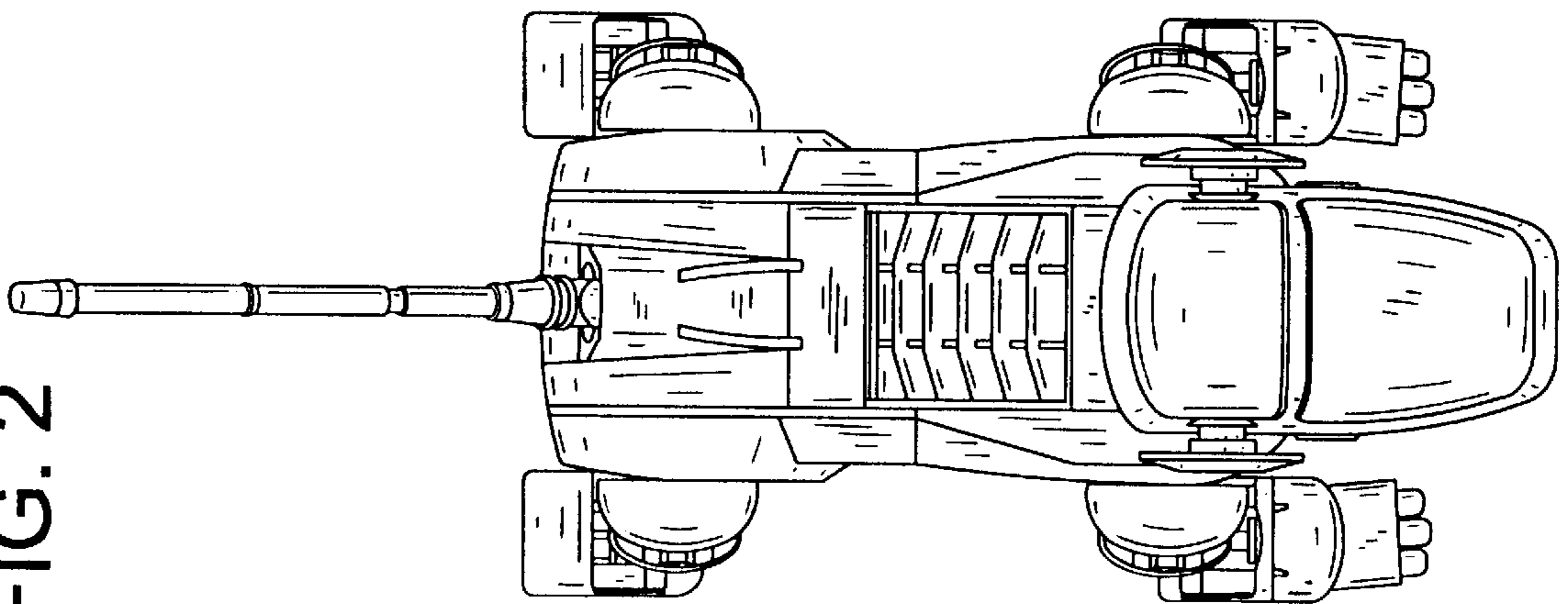


FIG. 4

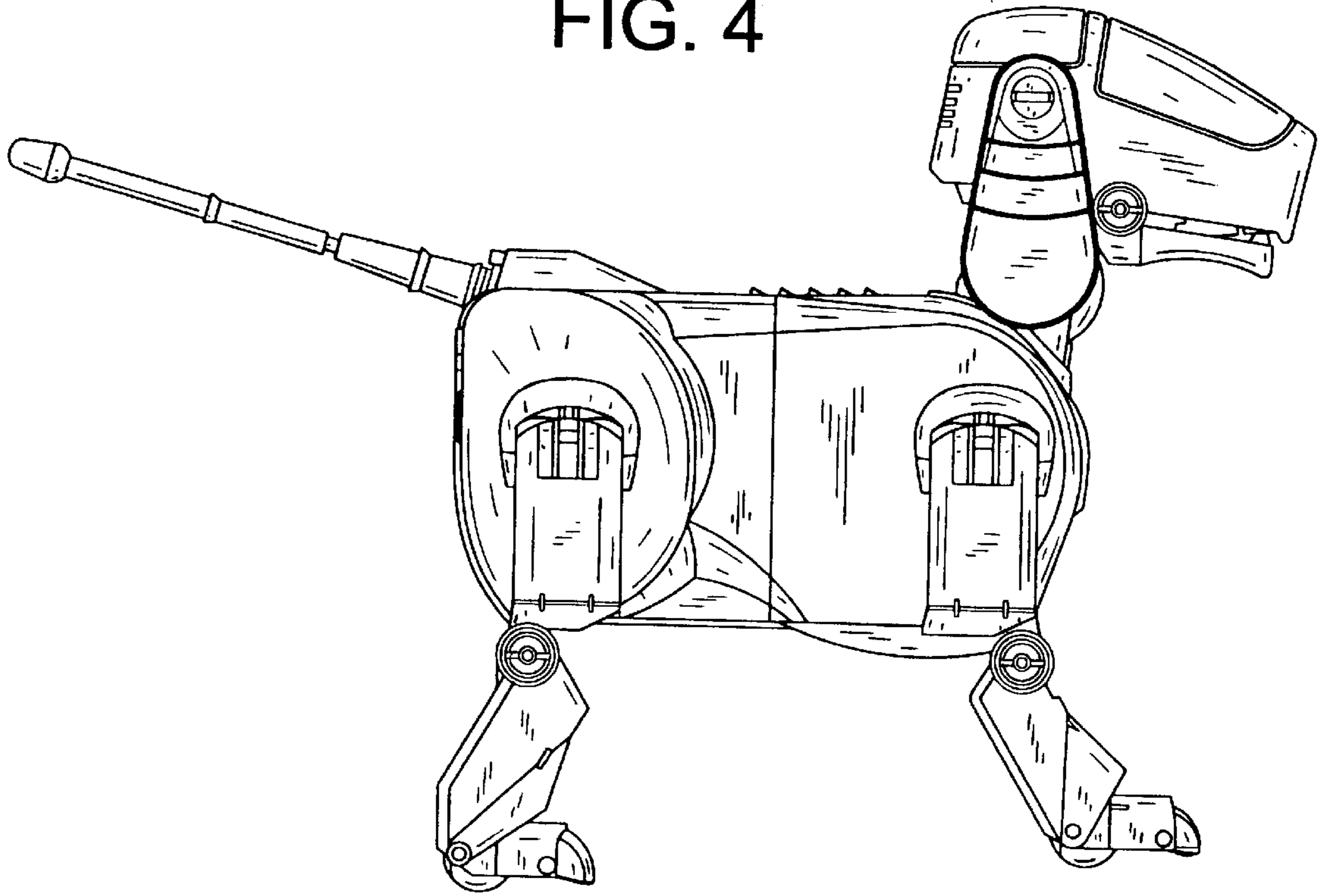


FIG. 5

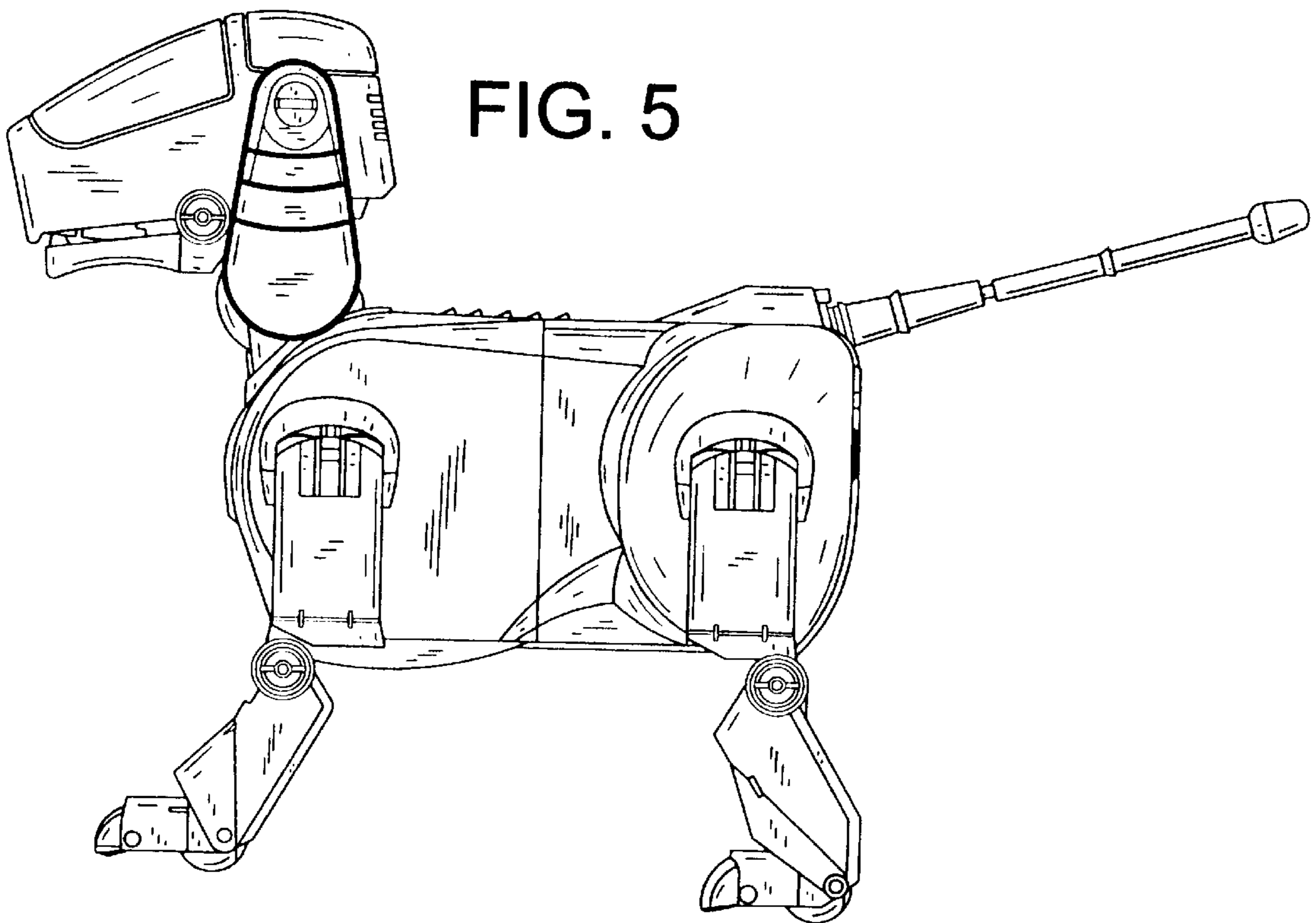


FIG. 7

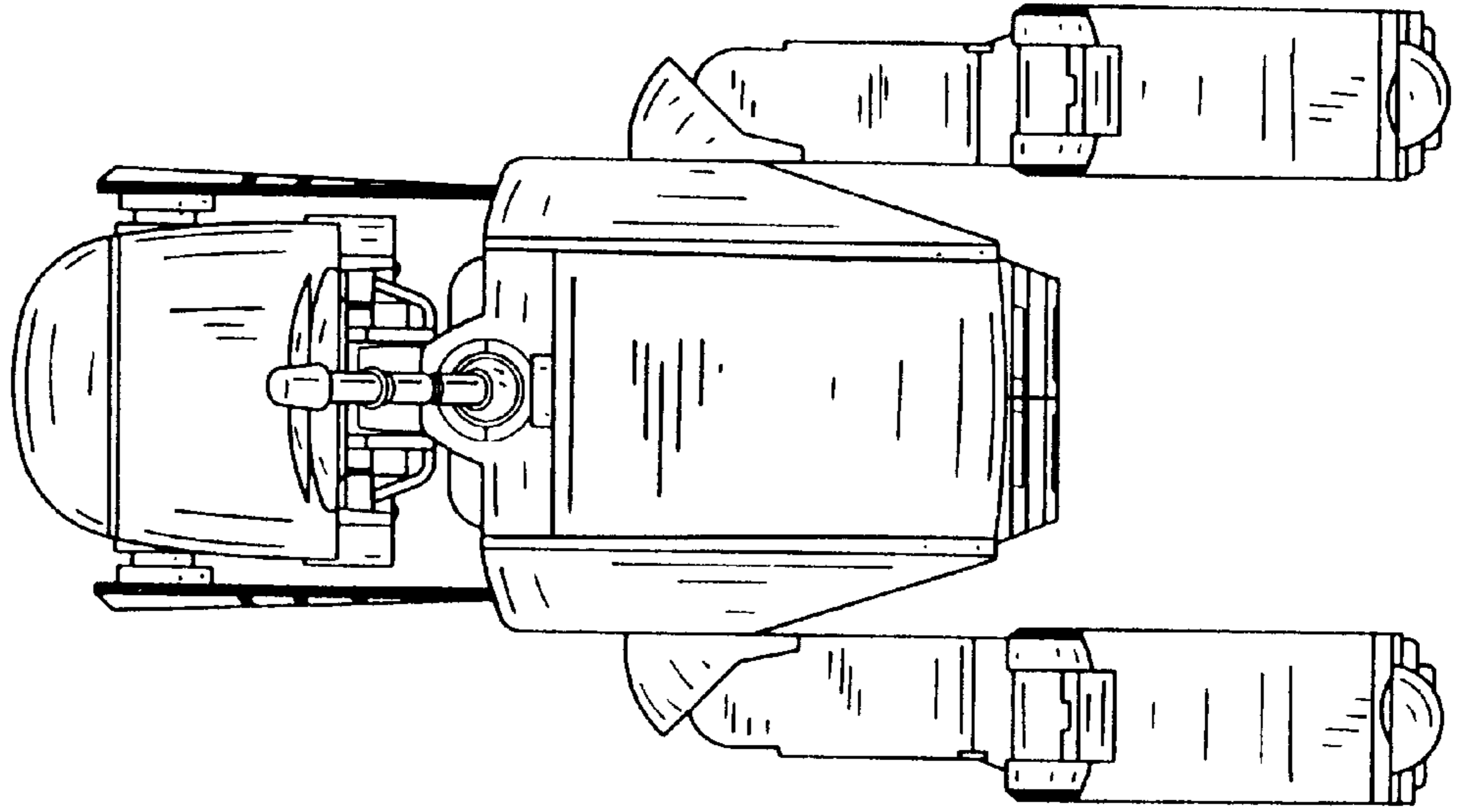


FIG. 6

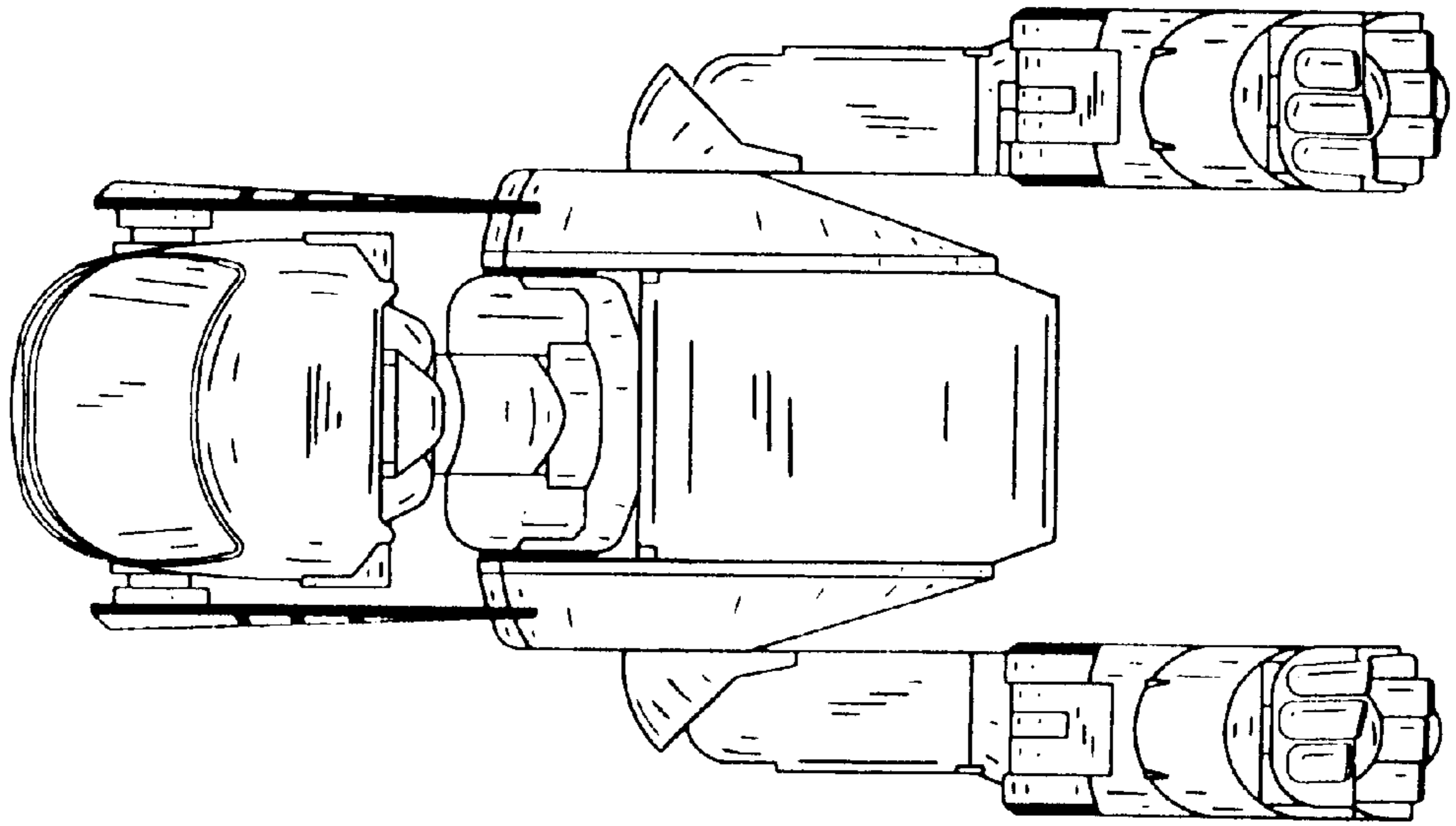


FIG. 8

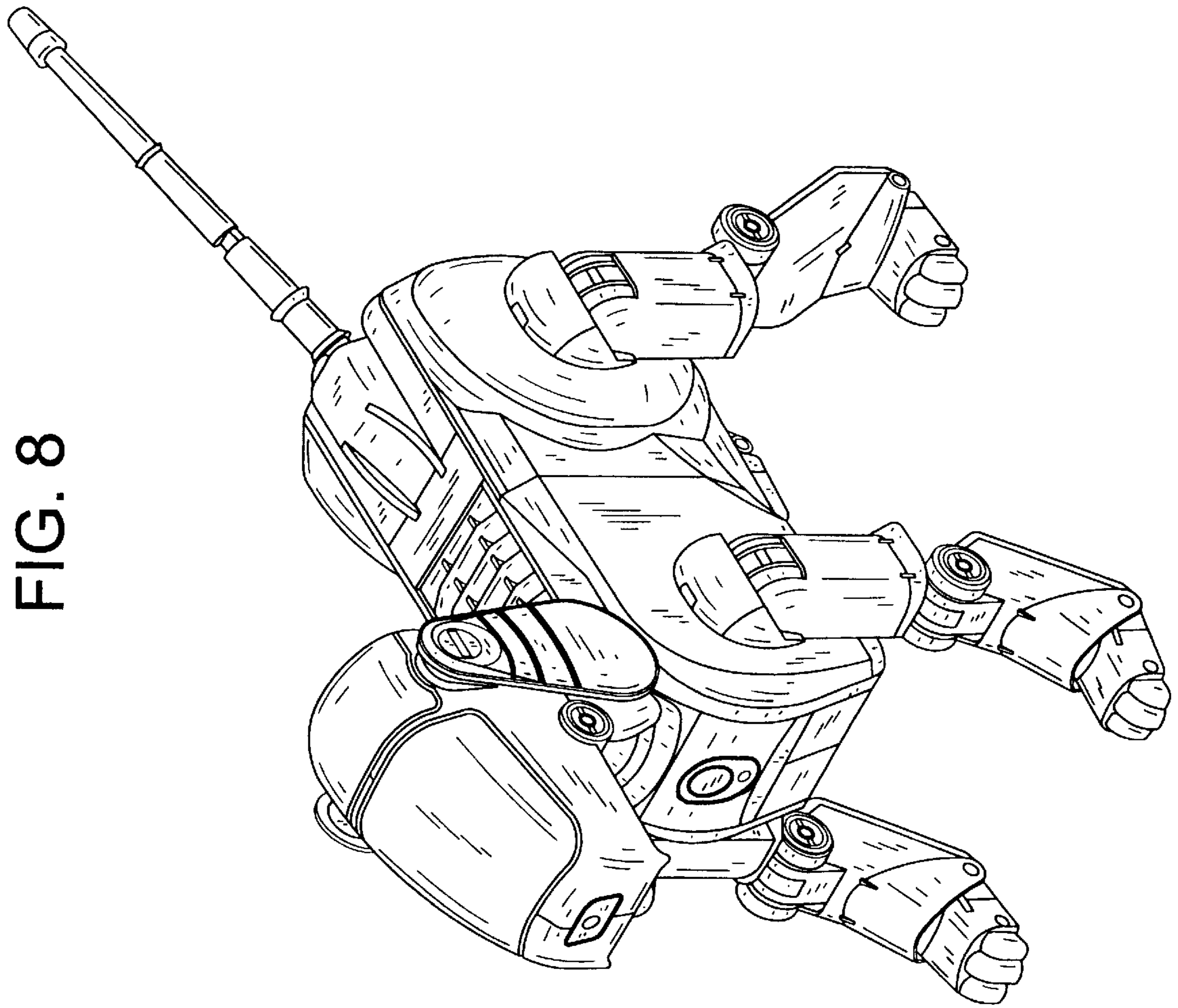


FIG. 10

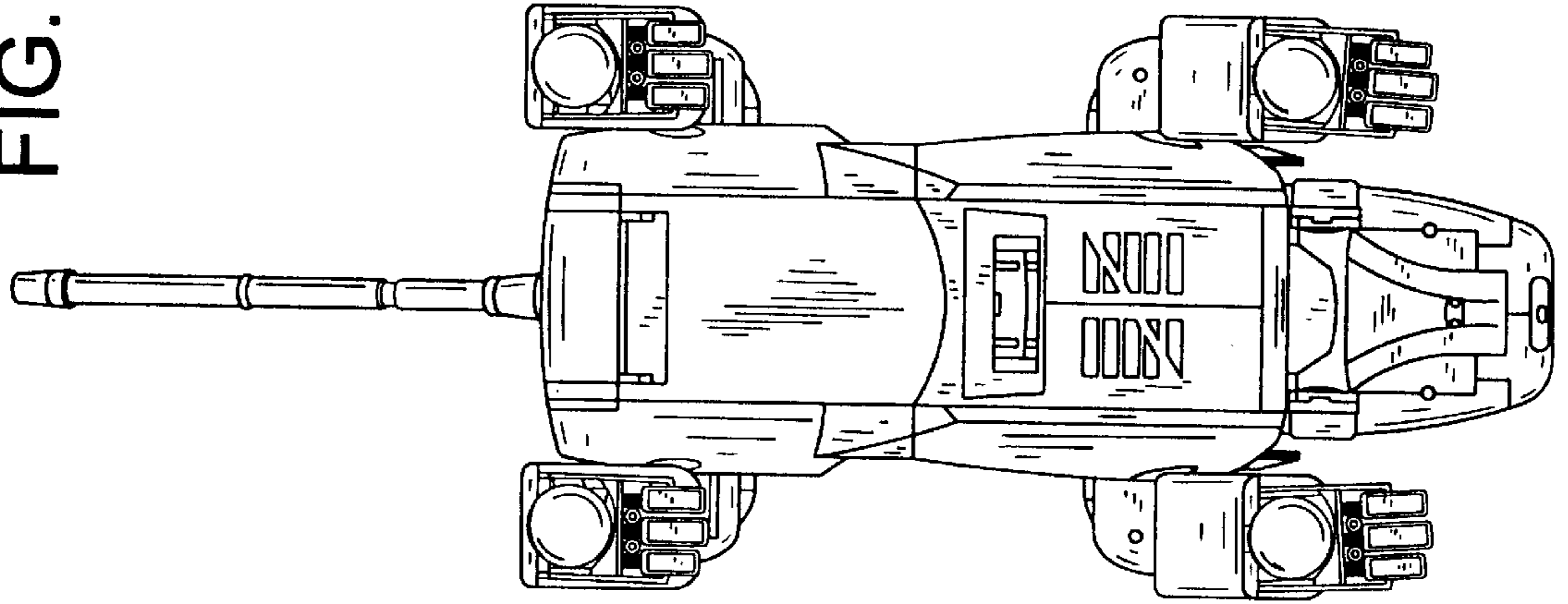


FIG. 9

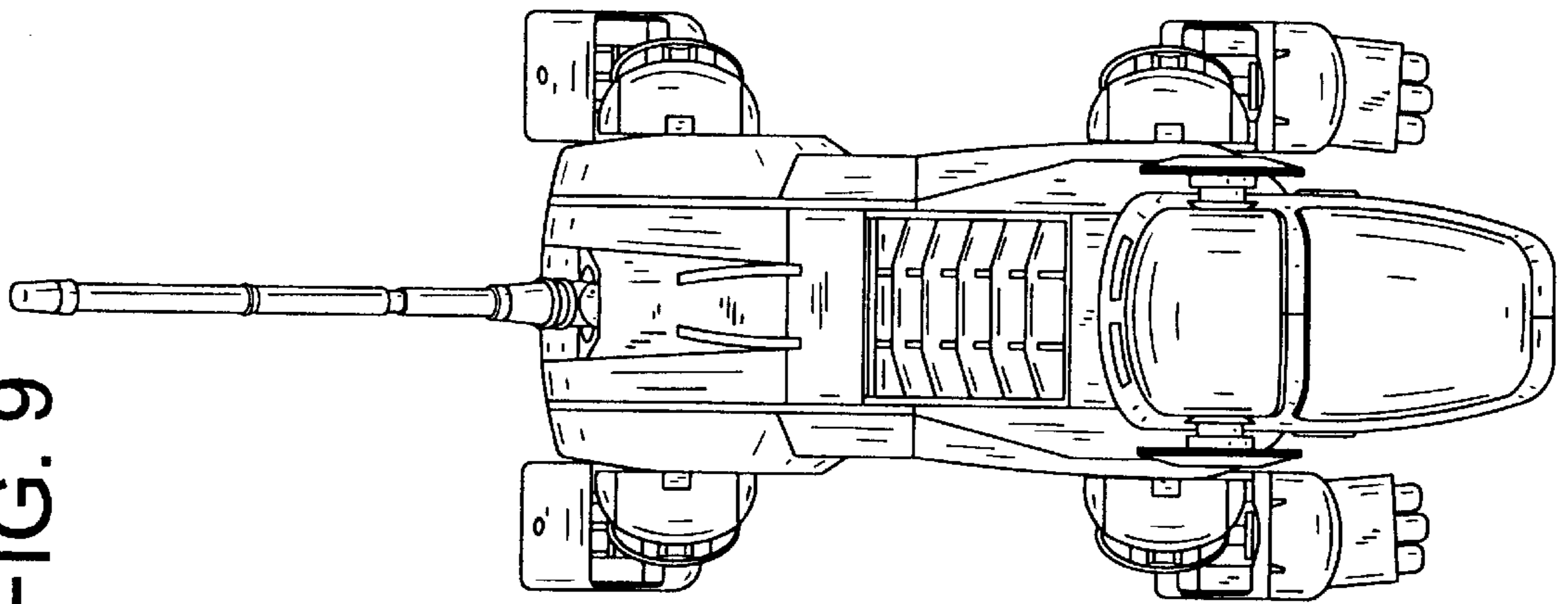


FIG. 11

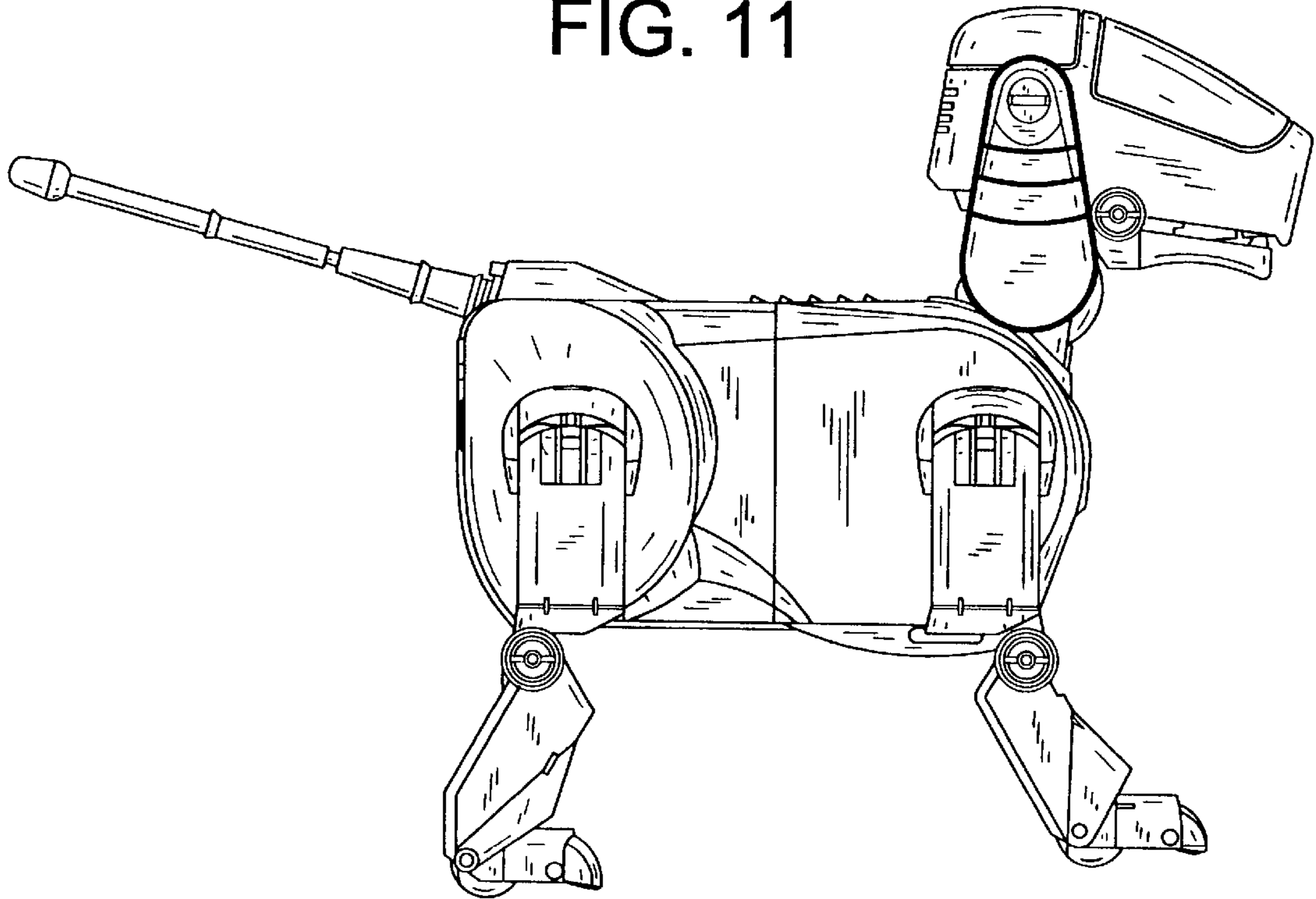


FIG. 12

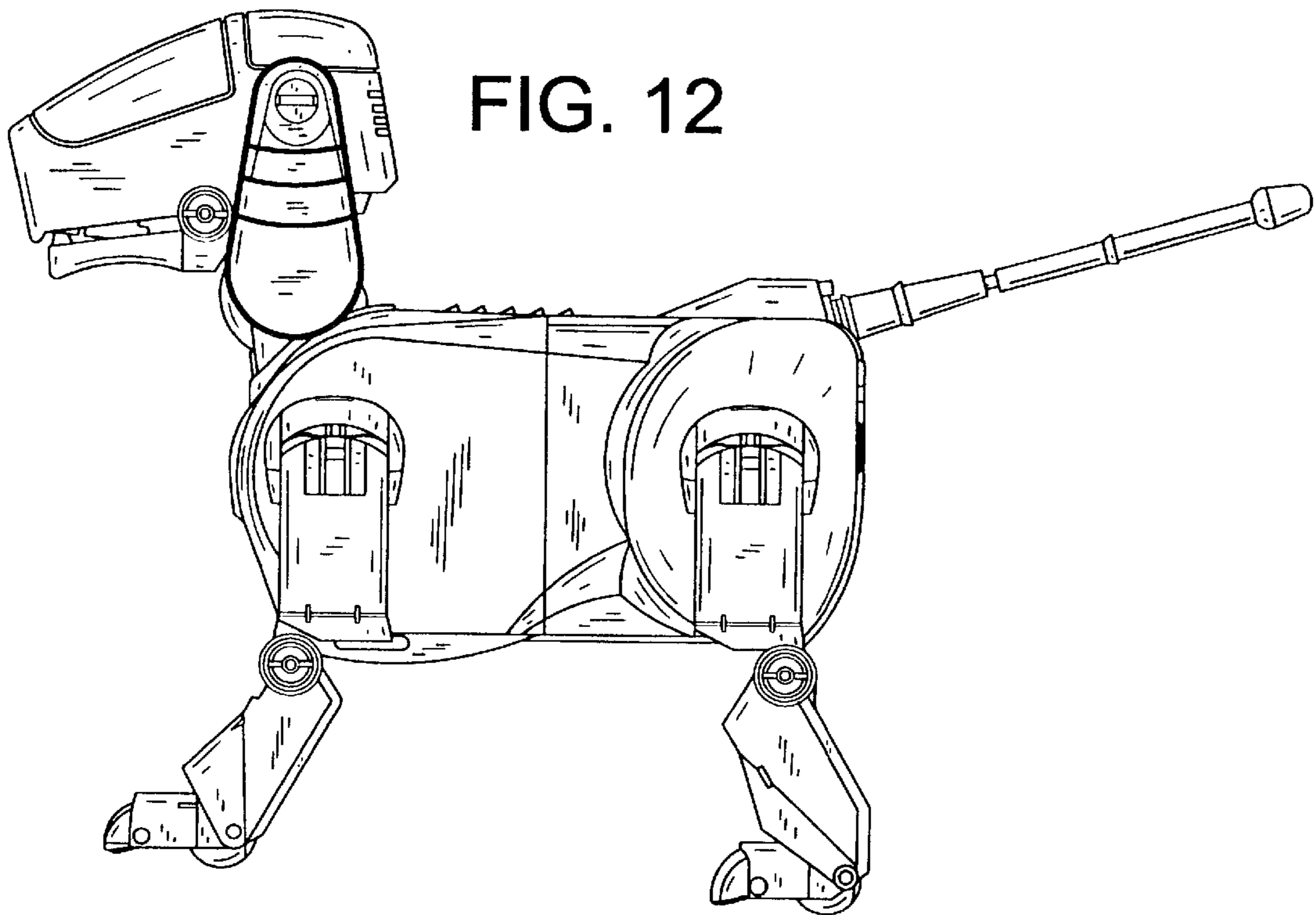


FIG. 14

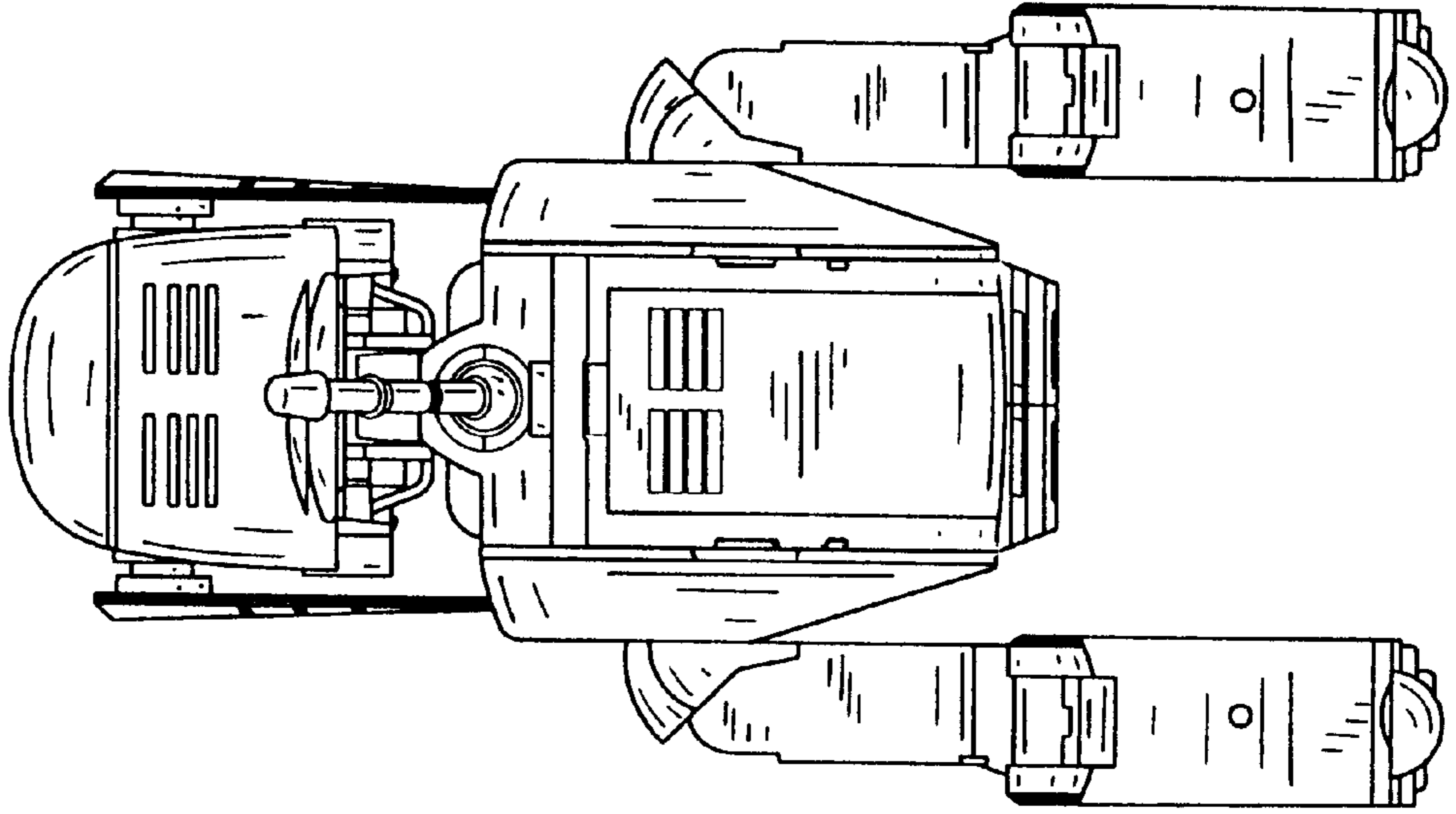


FIG. 13

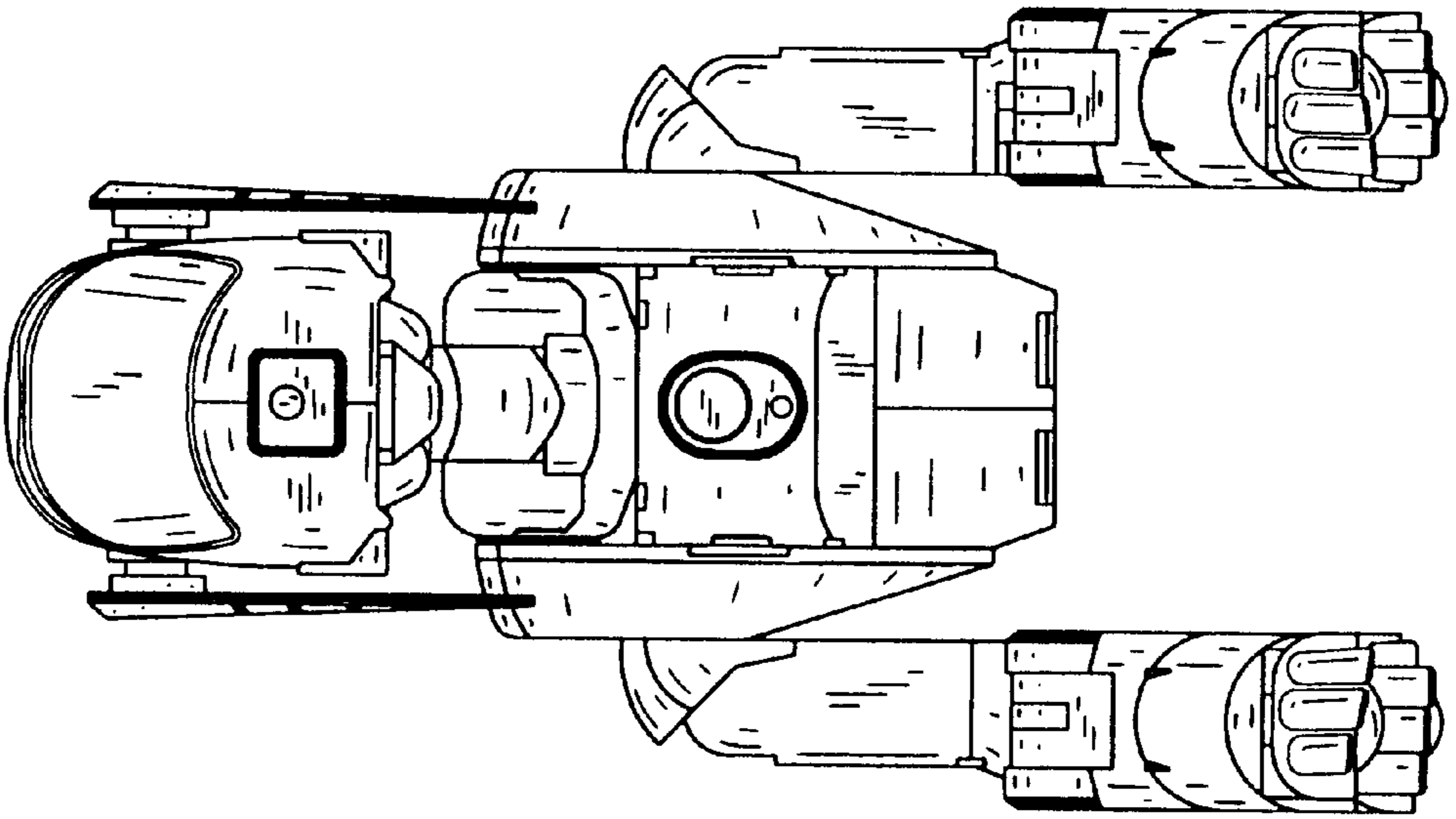


FIG. 15

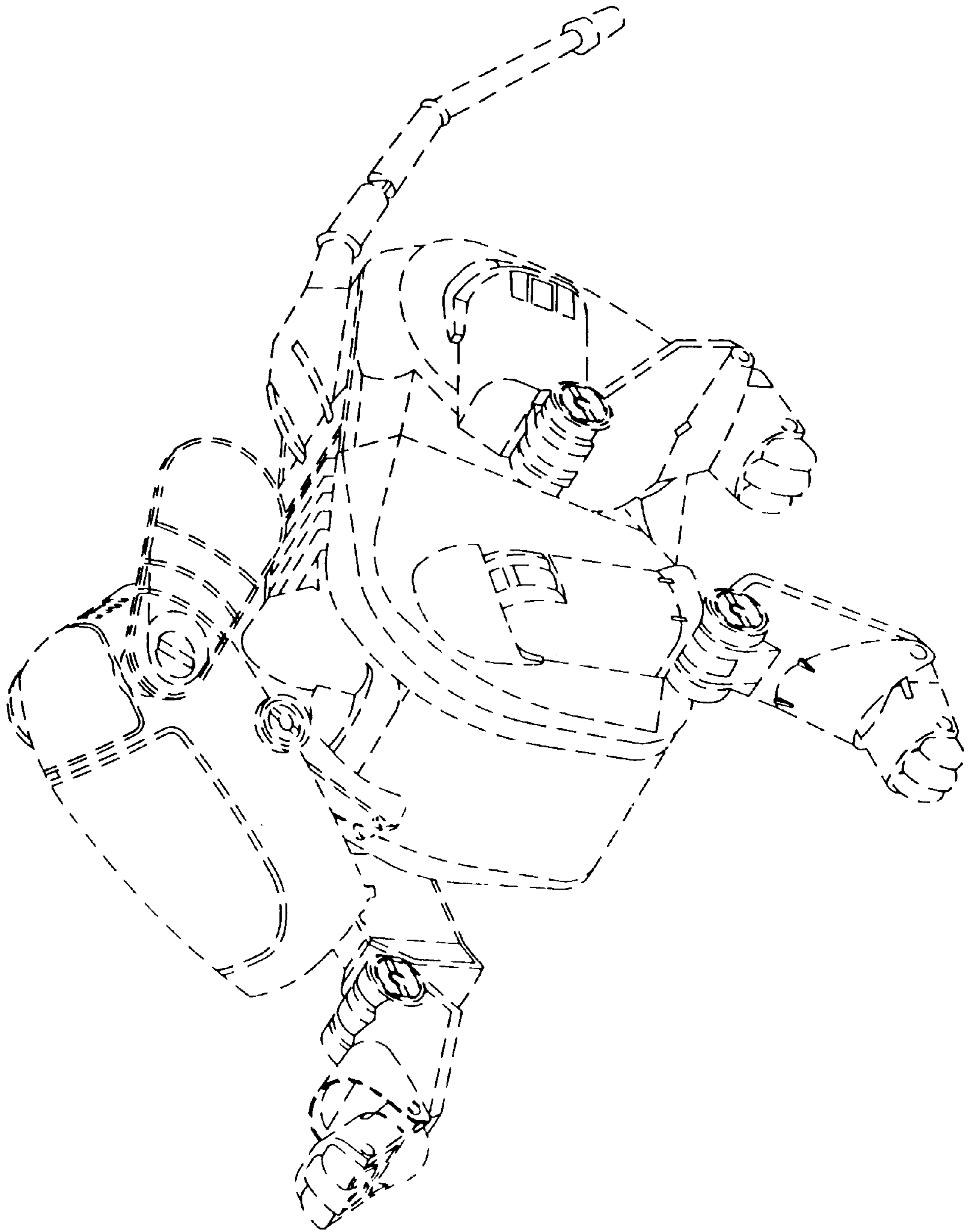


FIG. 16

