



US00D431266S

# United States Patent [19]

[11] **Patent Number: Des. 431,266**

**Tomita et al.**

[45] **Date of Patent: \*\* Sep. 26, 2000**

[54] **GAME MACHINE**

*Attorney, Agent, or Firm—Rader, Fishman & Grauer*

[75] Inventors: **Sejiro Tomita; Ichiro Katagiri; Masayuki Takahashi**, all of Tokyo, Japan

[57] **CLAIM**

The ornamental design for a game machine, as shown and described.

[73] Assignee: **Sony Corporation**, Japan

### DESCRIPTION

[\*\*] Term: **14 Years**

[21] Appl. No.: **29/091,586**

[22] Filed: **Jul. 31, 1998**

[51] **LOC (7) Cl.** ..... **21-01**

[52] **U.S. Cl.** ..... **D21/327**

[58] **Field of Search** ..... D21/324, 325, D21/326, 327, 328, 333, 811; 273/148 B, 440, 442, 444, 461; 463/1, 46, 47, 49, 50, 51

FIG. 1 is a perspective view of a first embodiment of a game machine showing our new design;

FIG. 2 is a top plan view thereof;

FIG. 3 is a left side elevational view thereof;

FIG. 4 is a front elevational view thereof;

FIG. 5 is a right side elevational view thereof;

FIG. 6 is a rear elevational view thereof; and

FIG. 7 is a perspective view thereof, wherein a portion of the game machine is in the up position.

FIG. 8 is a perspective view of a second embodiment of a game machine showing our new design;

FIG. 9 is a top plan view thereof;

FIG. 10 is a left side elevational view thereof;

FIG. 11 is a front elevational view thereof;

FIG. 12 is a bottom plan view thereof;

FIG. 13 is a right side elevational view thereof;

FIG. 14 is a rear elevational view thereof; and,

FIG. 15 is a perspective view thereof, wherein a portion of the game machine is in the up position.

### [56] **References Cited**

#### U.S. PATENT DOCUMENTS

D. 396,898	8/1998	Tsuda	.....	D21/327
D. 407,579	4/1999	Isetani et al.	.....	D21/326
D. 407,758	4/1999	Isetani et al.	.....	D21/326
4,418,911	12/1983	Bowers et al.	.....	463/47
5,195,746	3/1993	Boyd et al.	.....	463/37
5,299,810	4/1994	Pierce et al.	.....	463/30 X
5,713,794	2/1998	Shimajima et al.	.....	463/31 X
5,807,177	9/1998	Takemoto et al.	.....	463/47

#### OTHER PUBLICATIONS

Promotional material presented at trade show; International Amusement Part and Attraction Show; Nov. 22–25, 1997.

*Primary Examiner—Prabhakar Deshmukh*

**1 Claim, 15 Drawing Sheets**

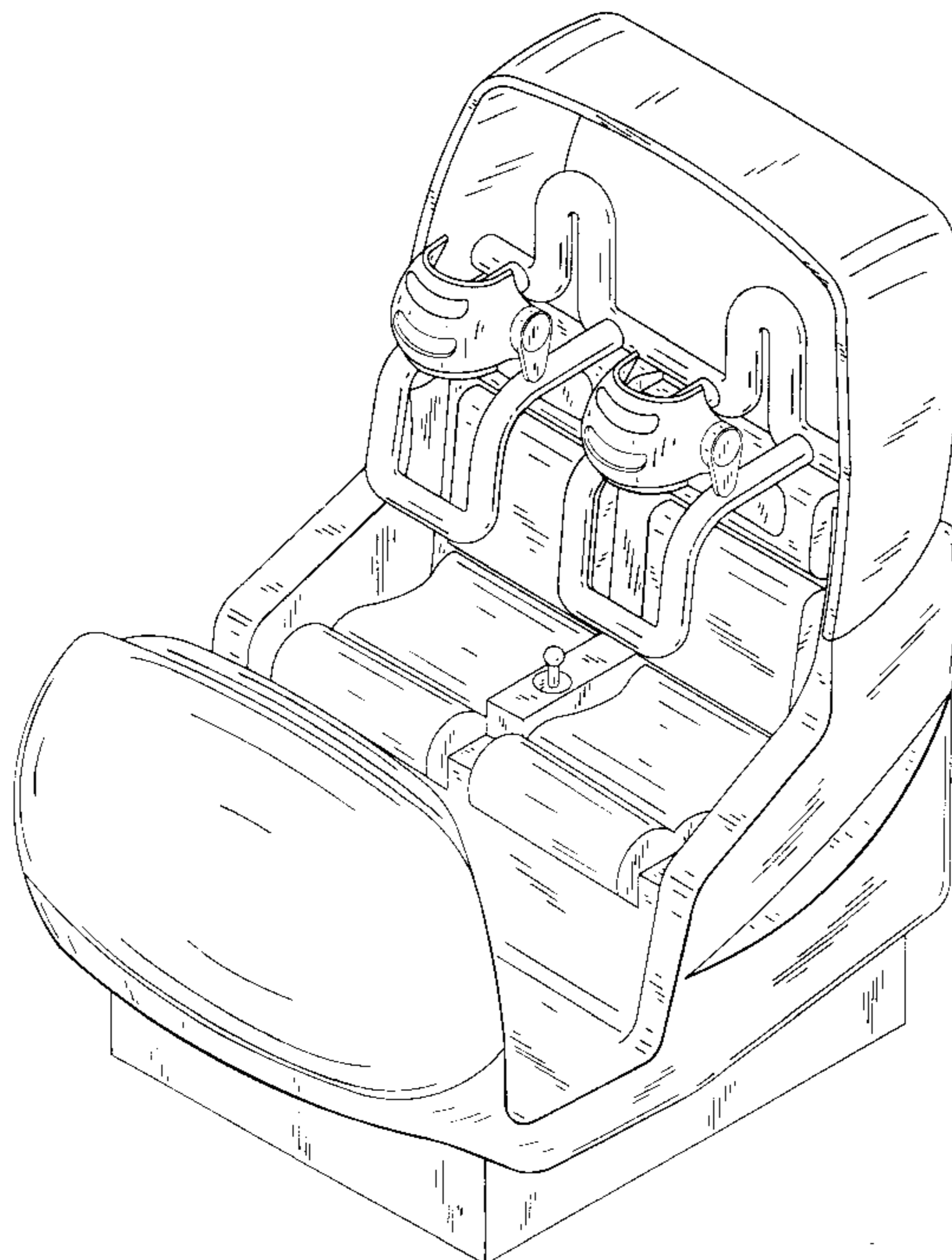


FIG. 1

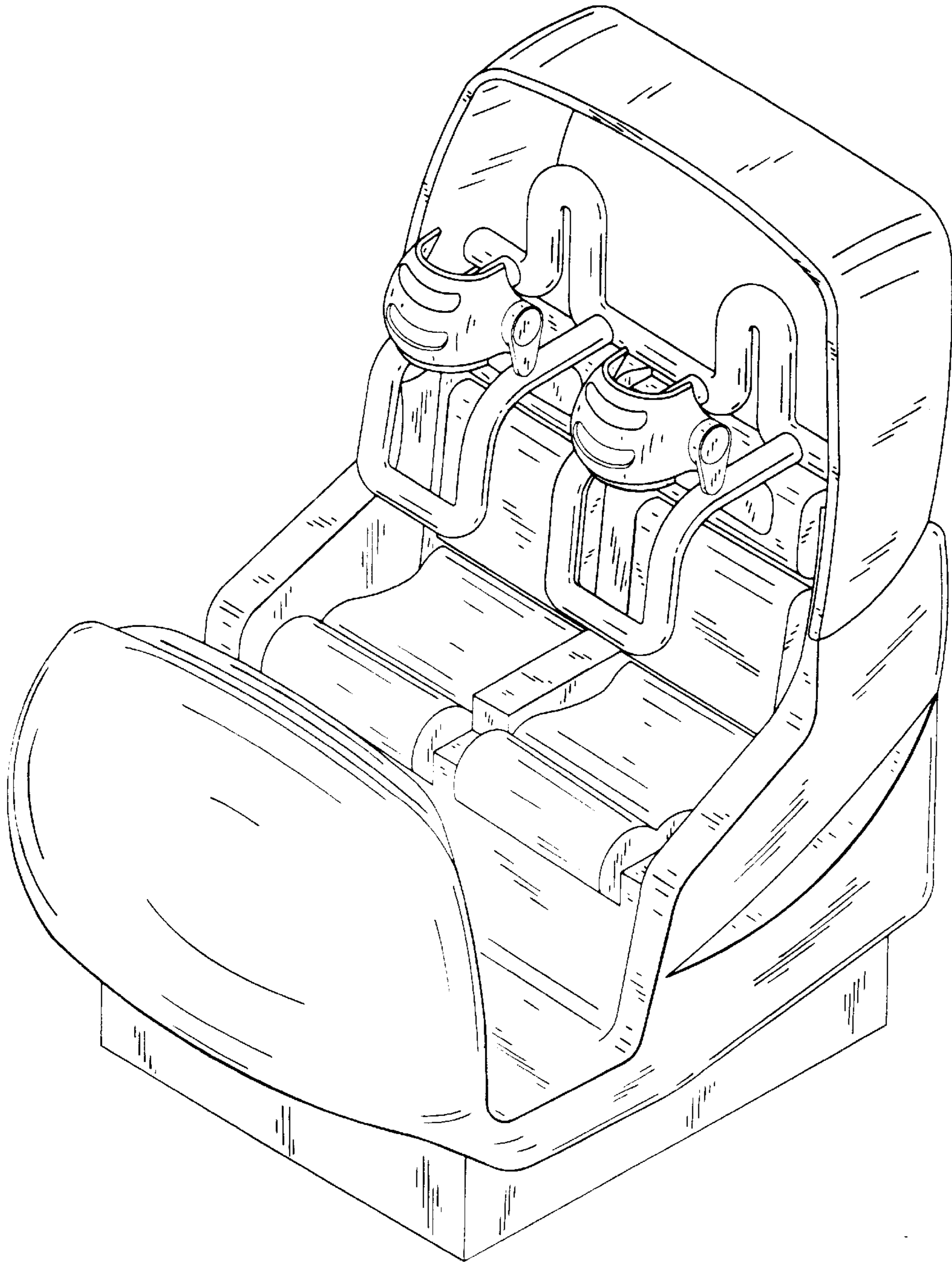


FIG. 2

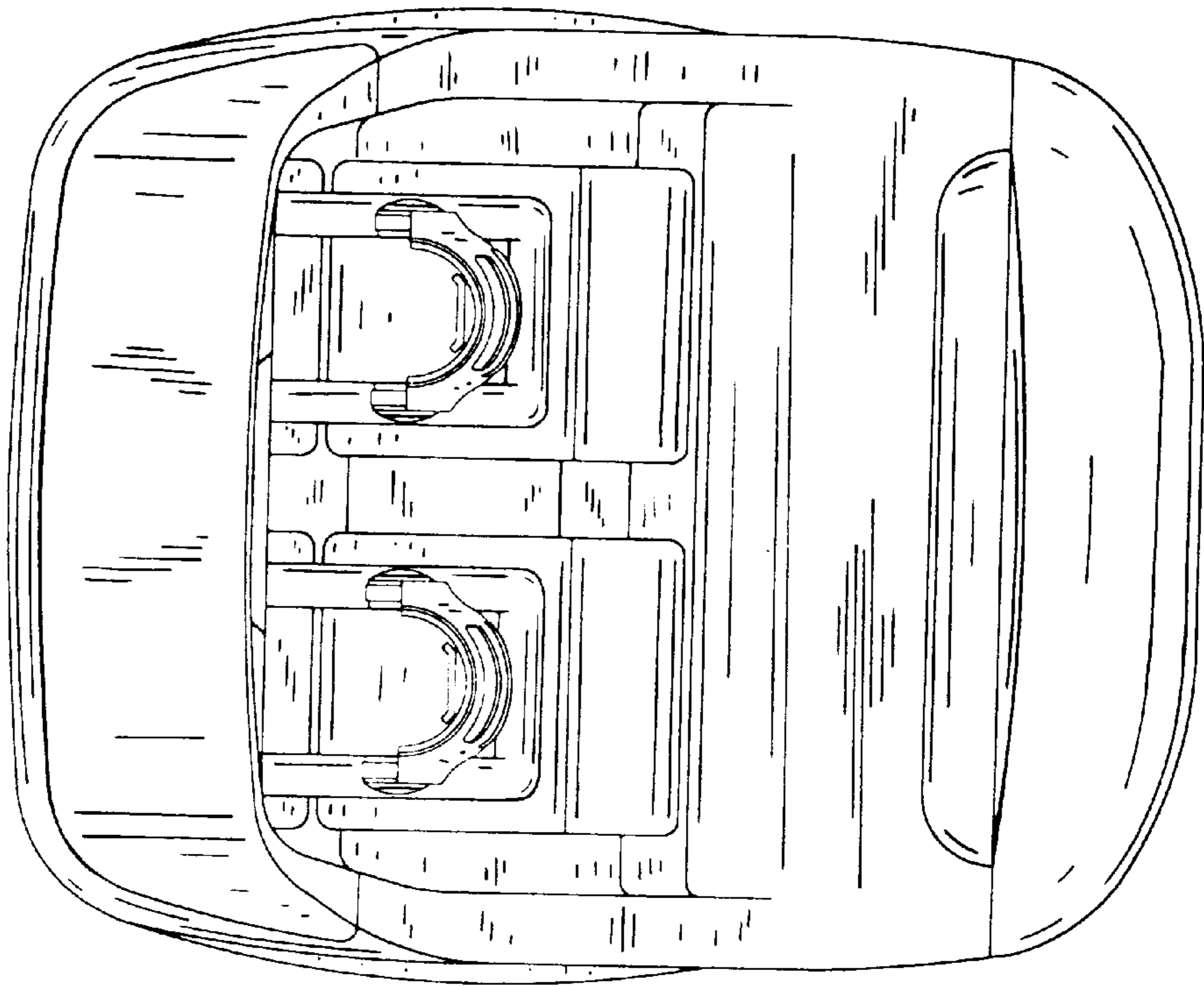
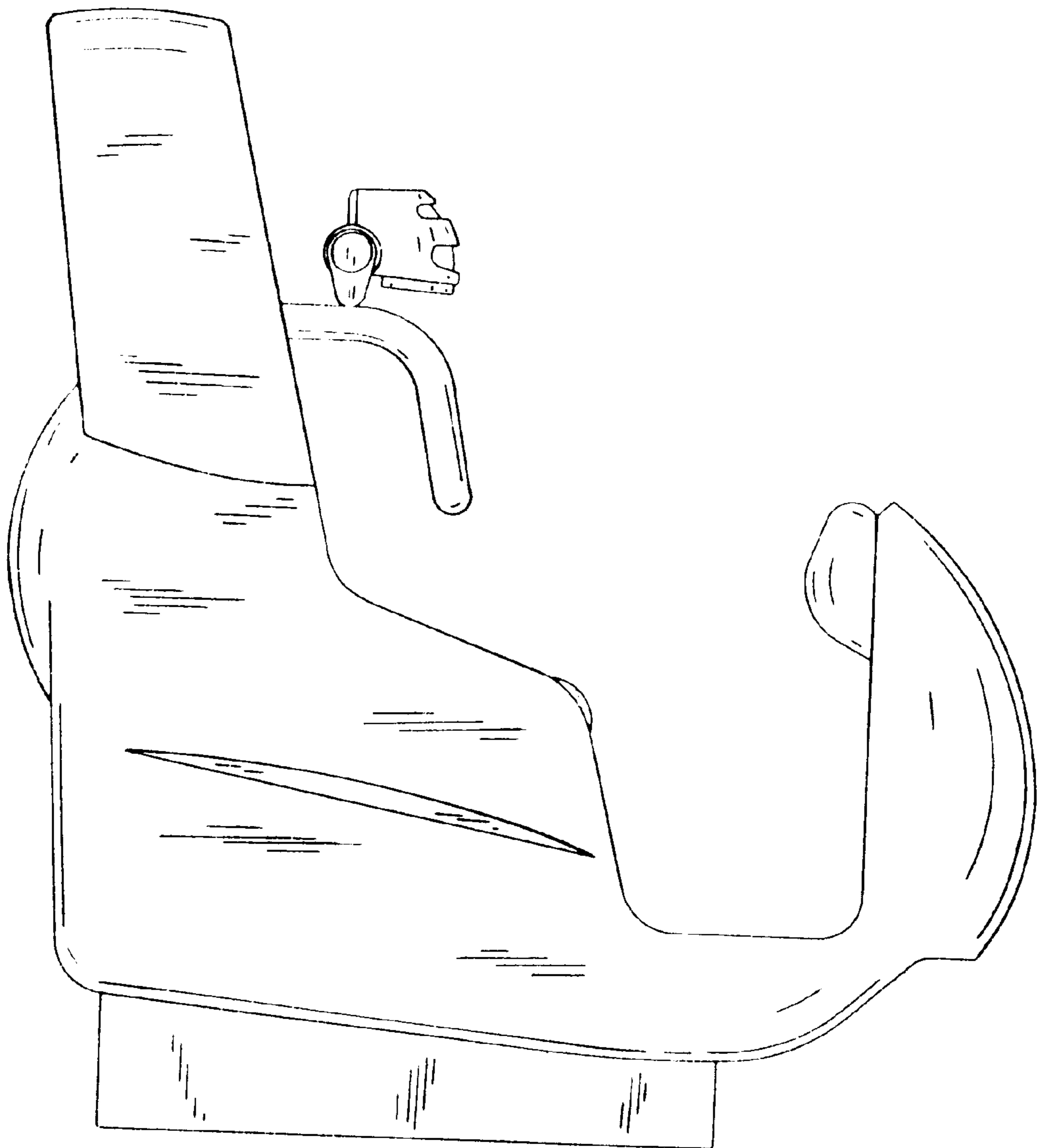


FIG. 3



# FIG. 4

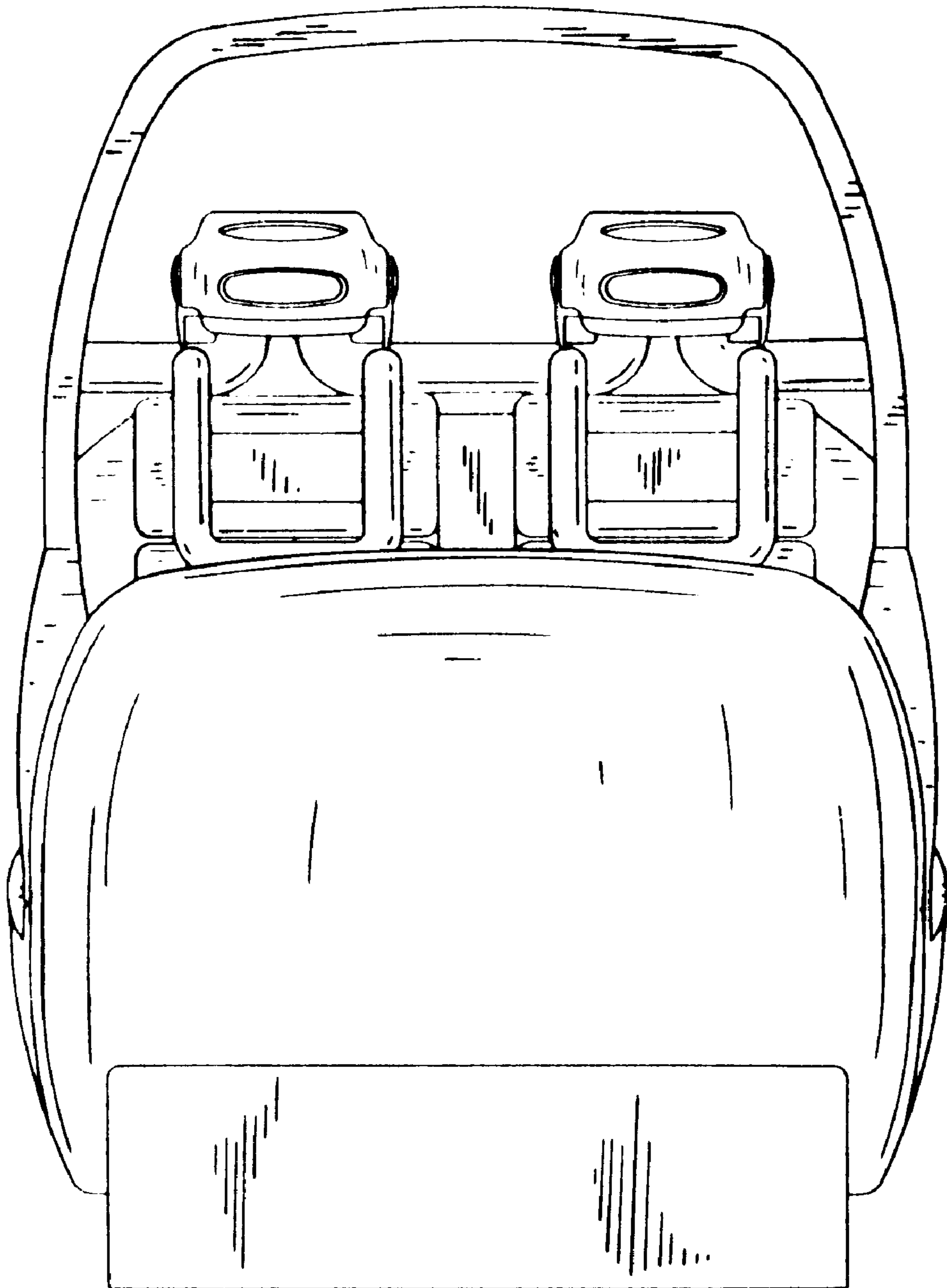


FIG. 5

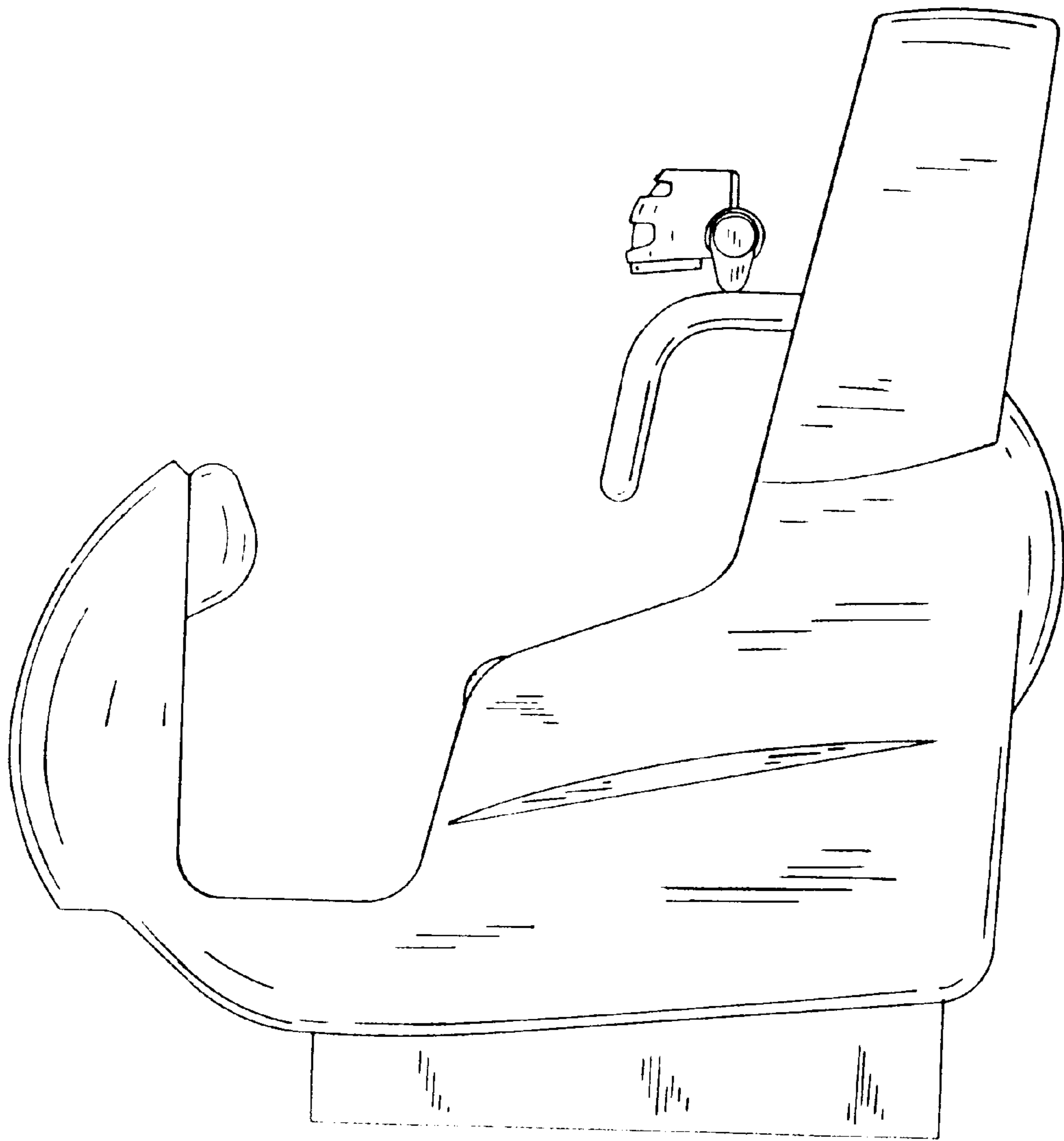


FIG. 6

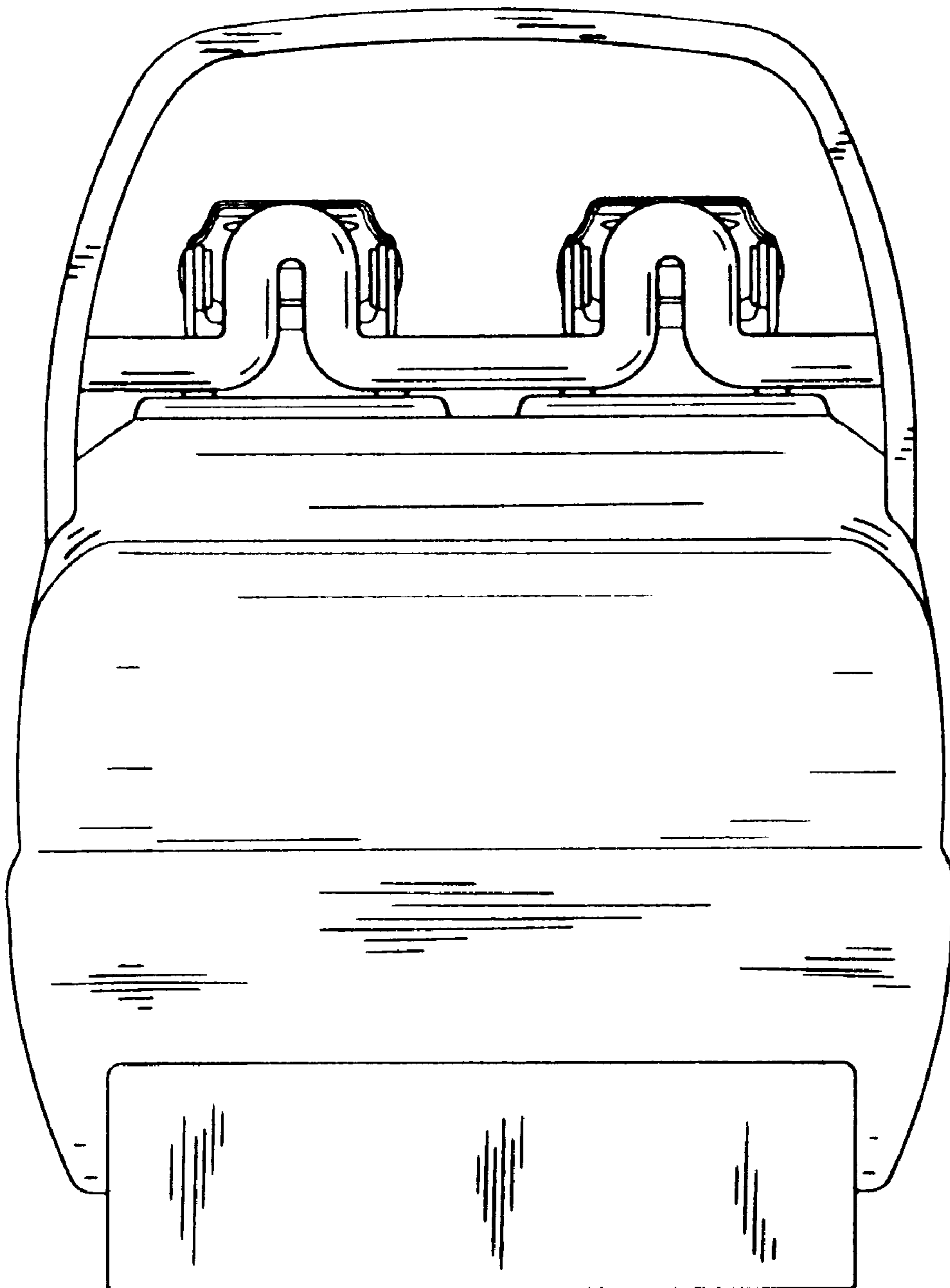


FIG. 7

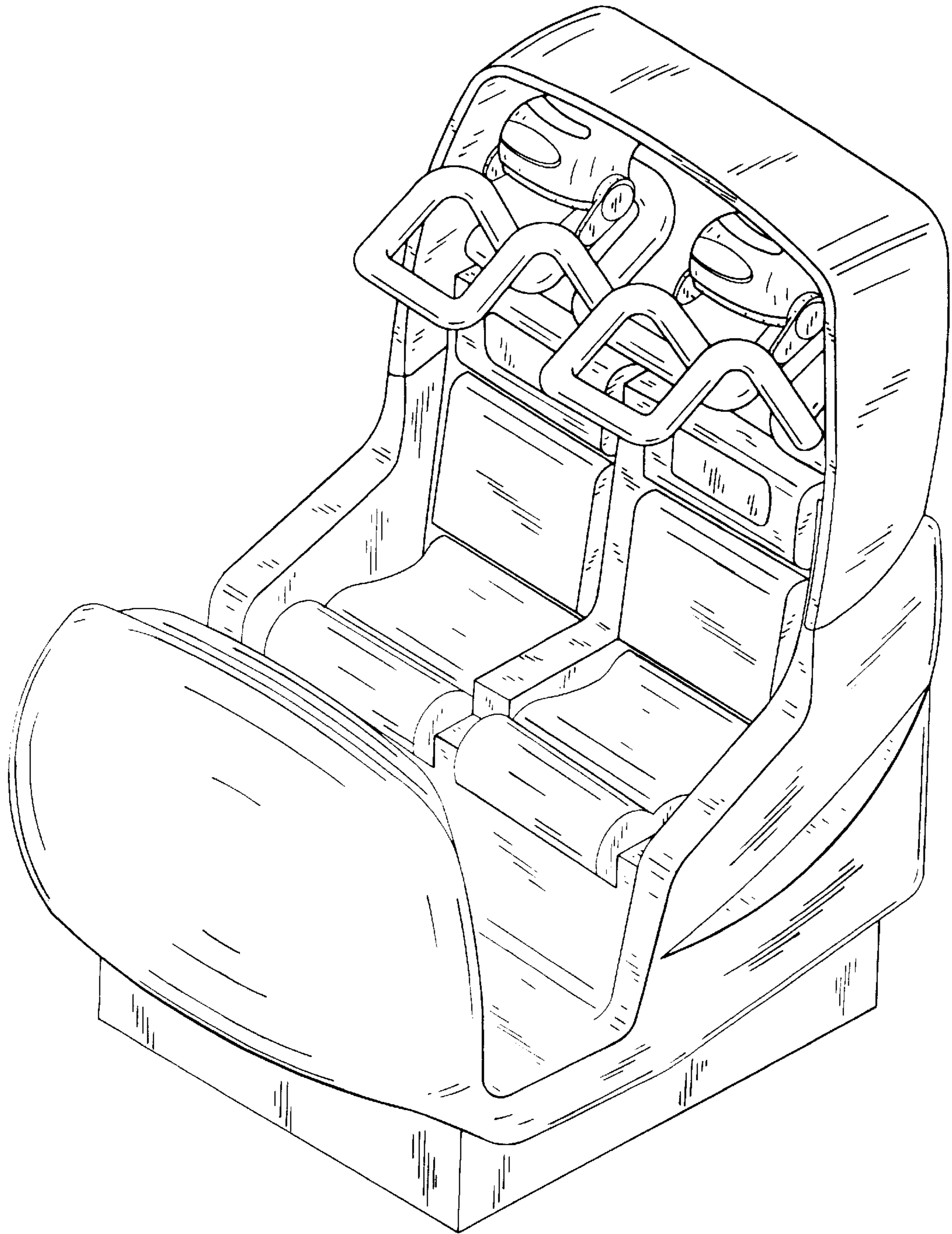




FIG. 8

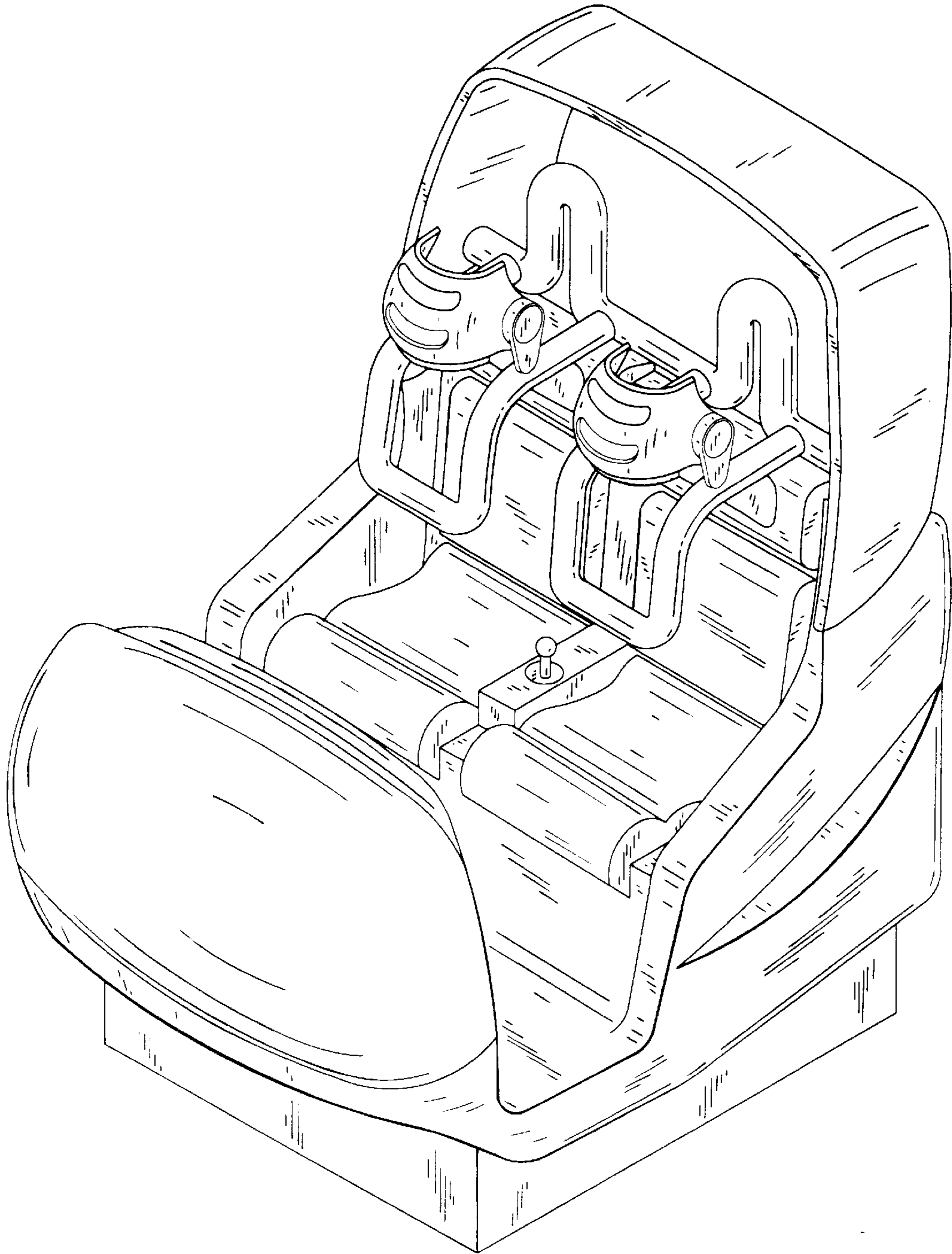


FIG. 9

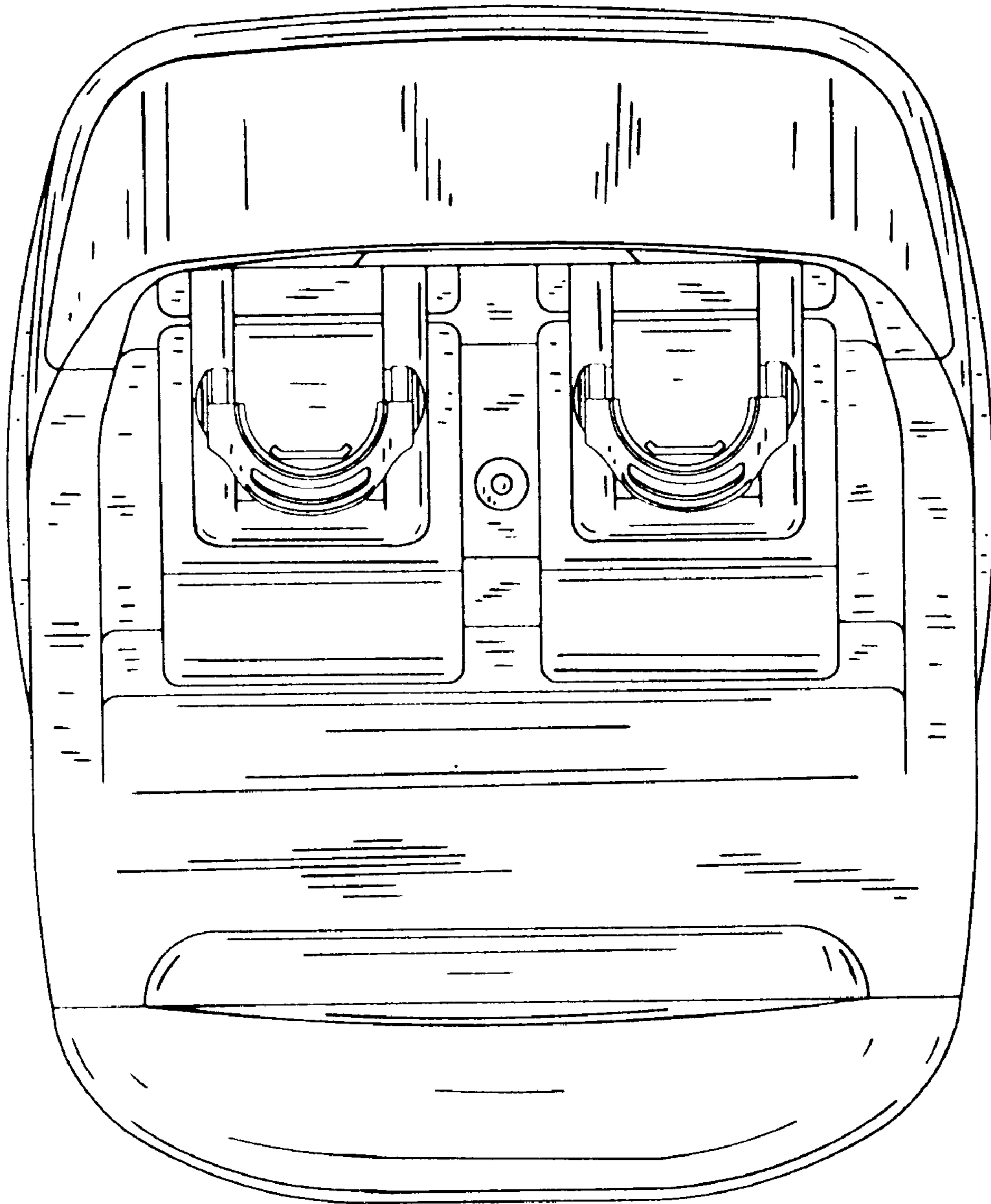
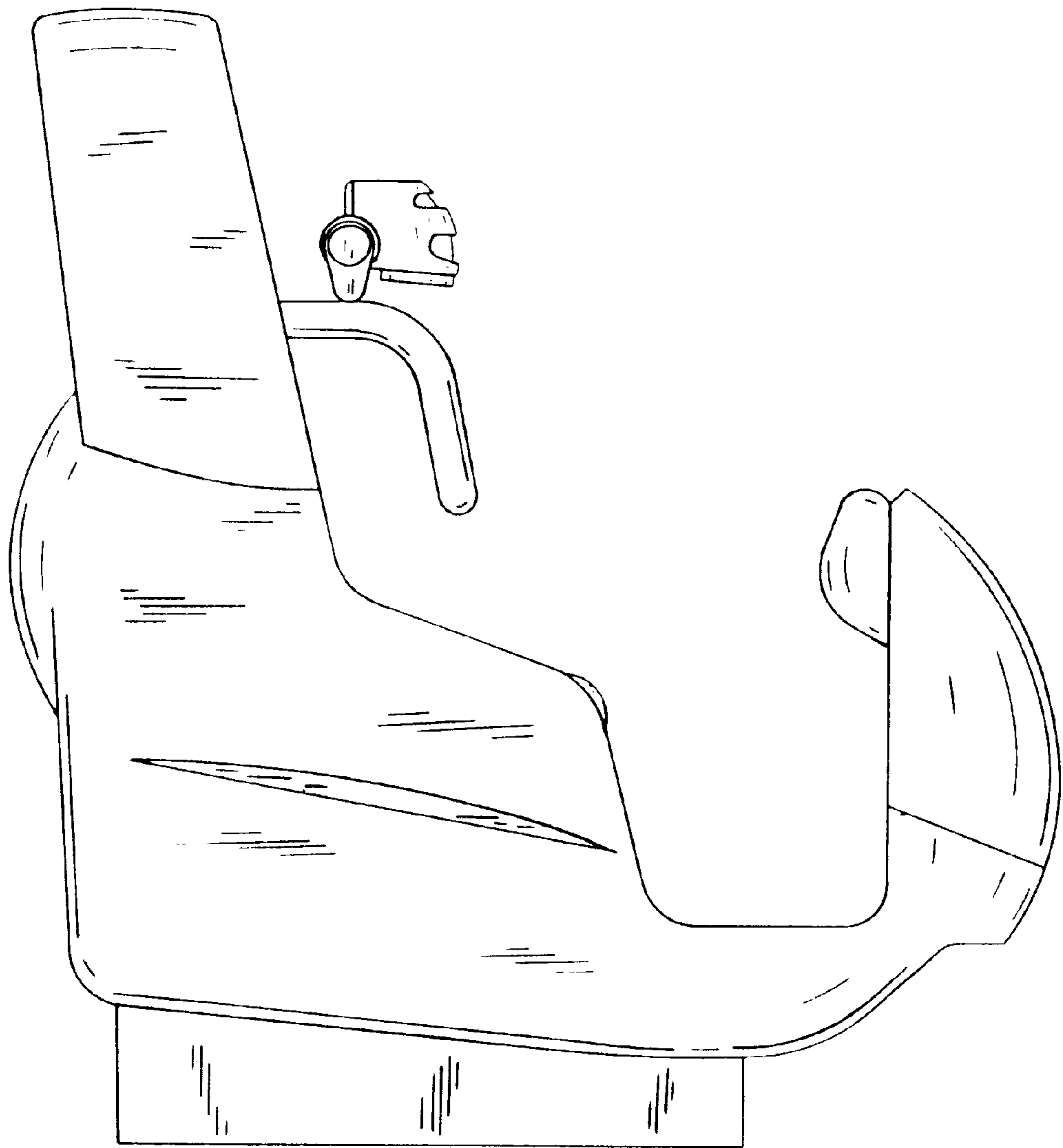


FIG. 10



# FIG. 11

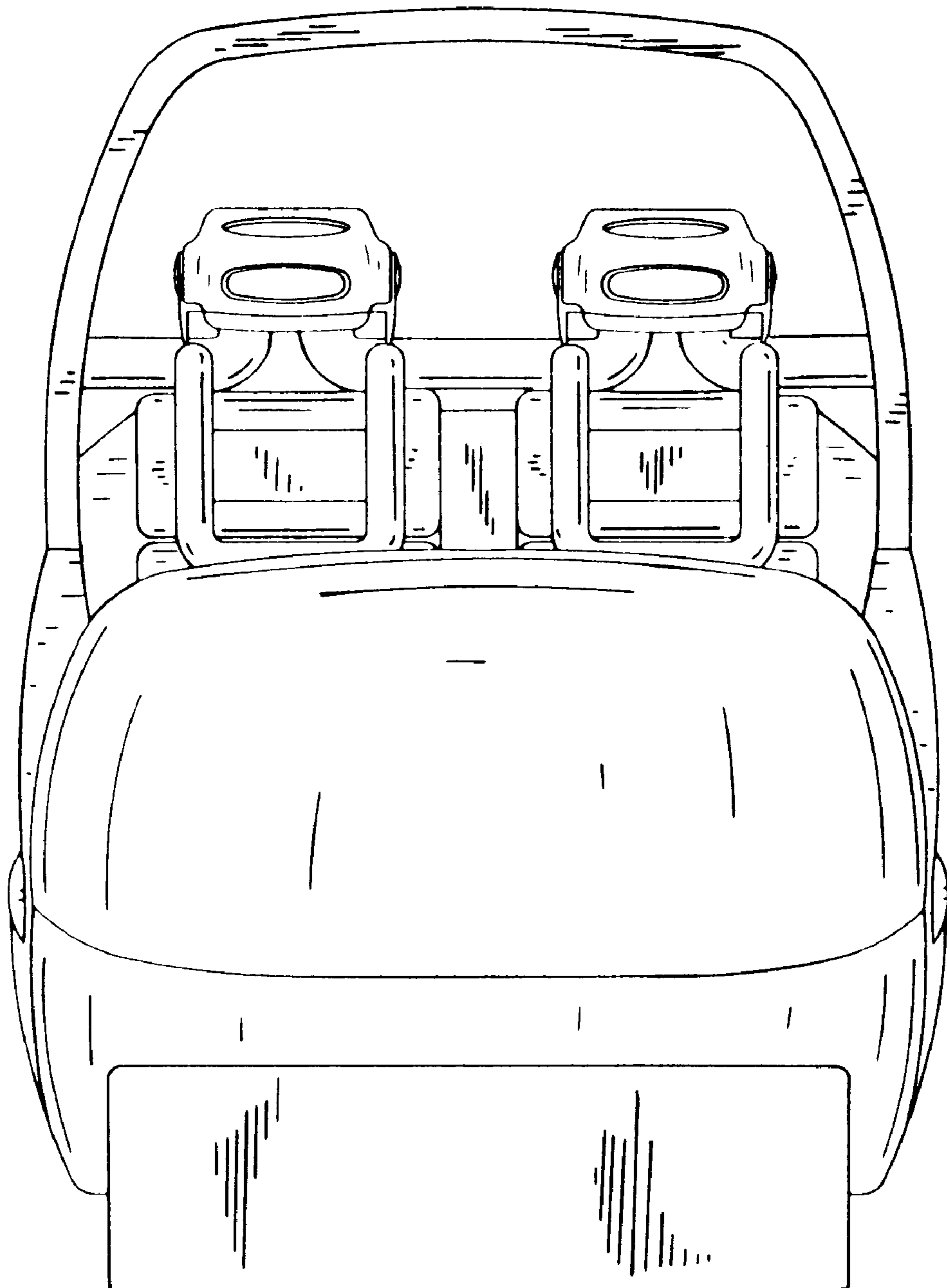


FIG. 12

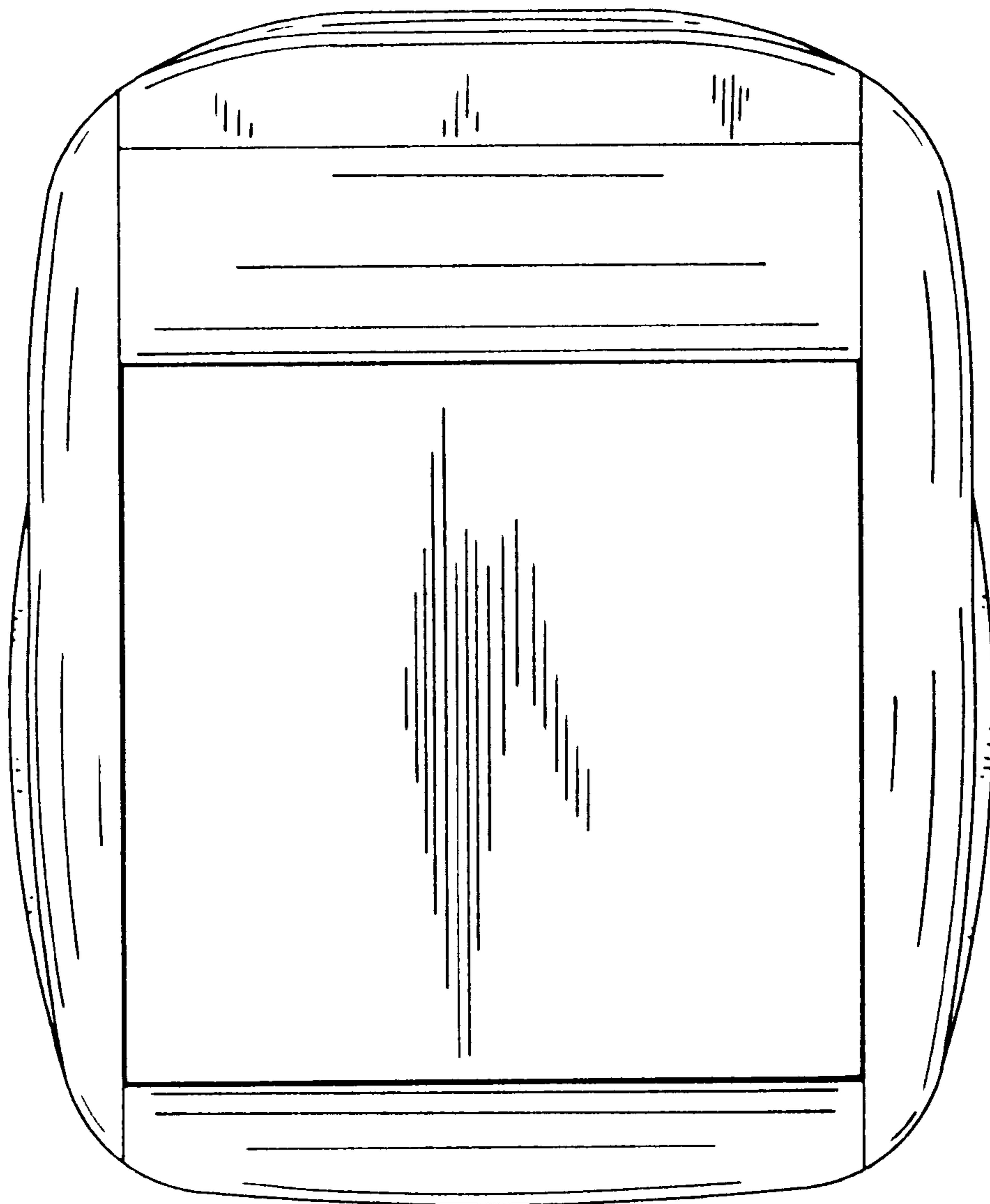
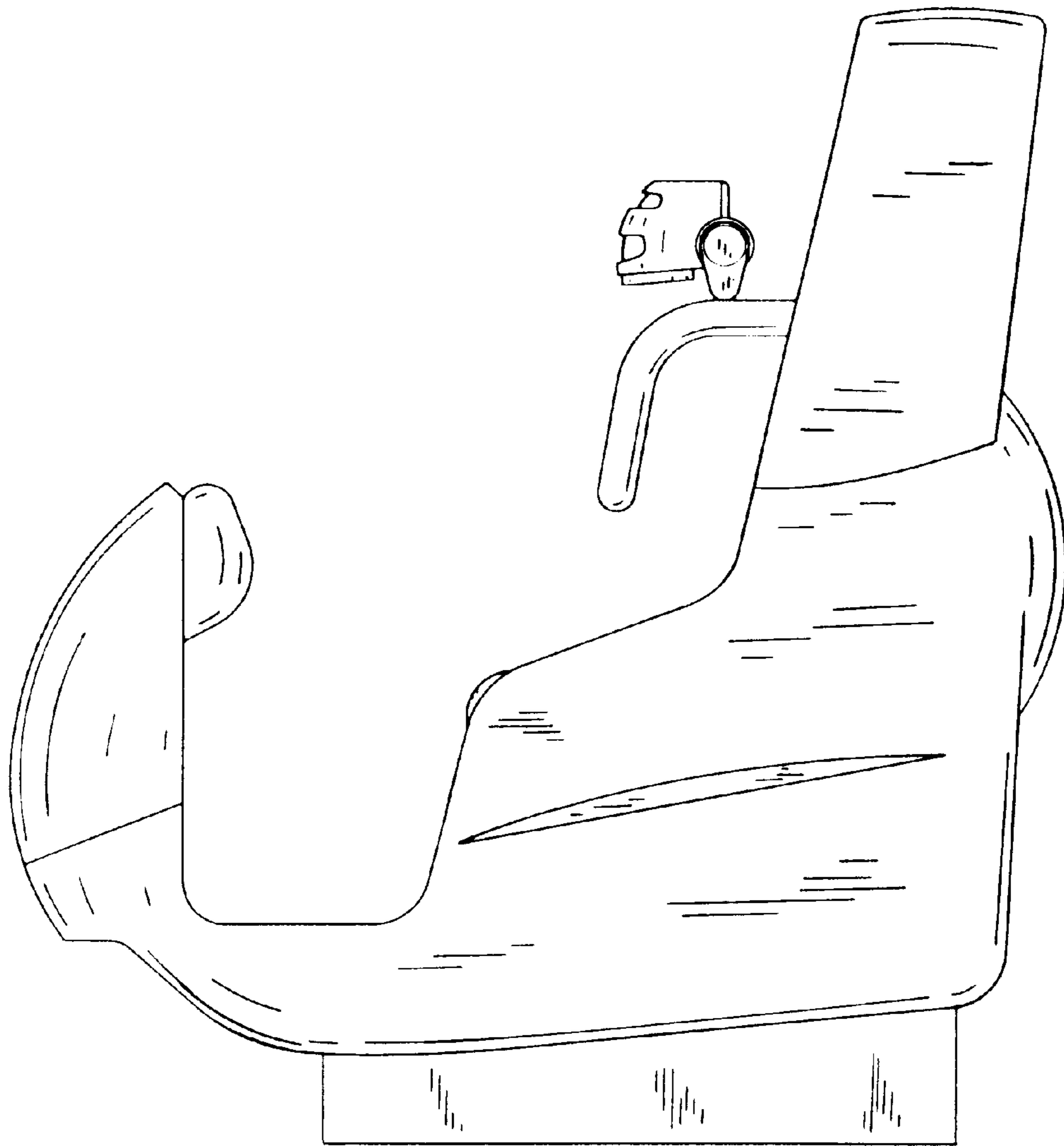


FIG. 13



# FIG. 14

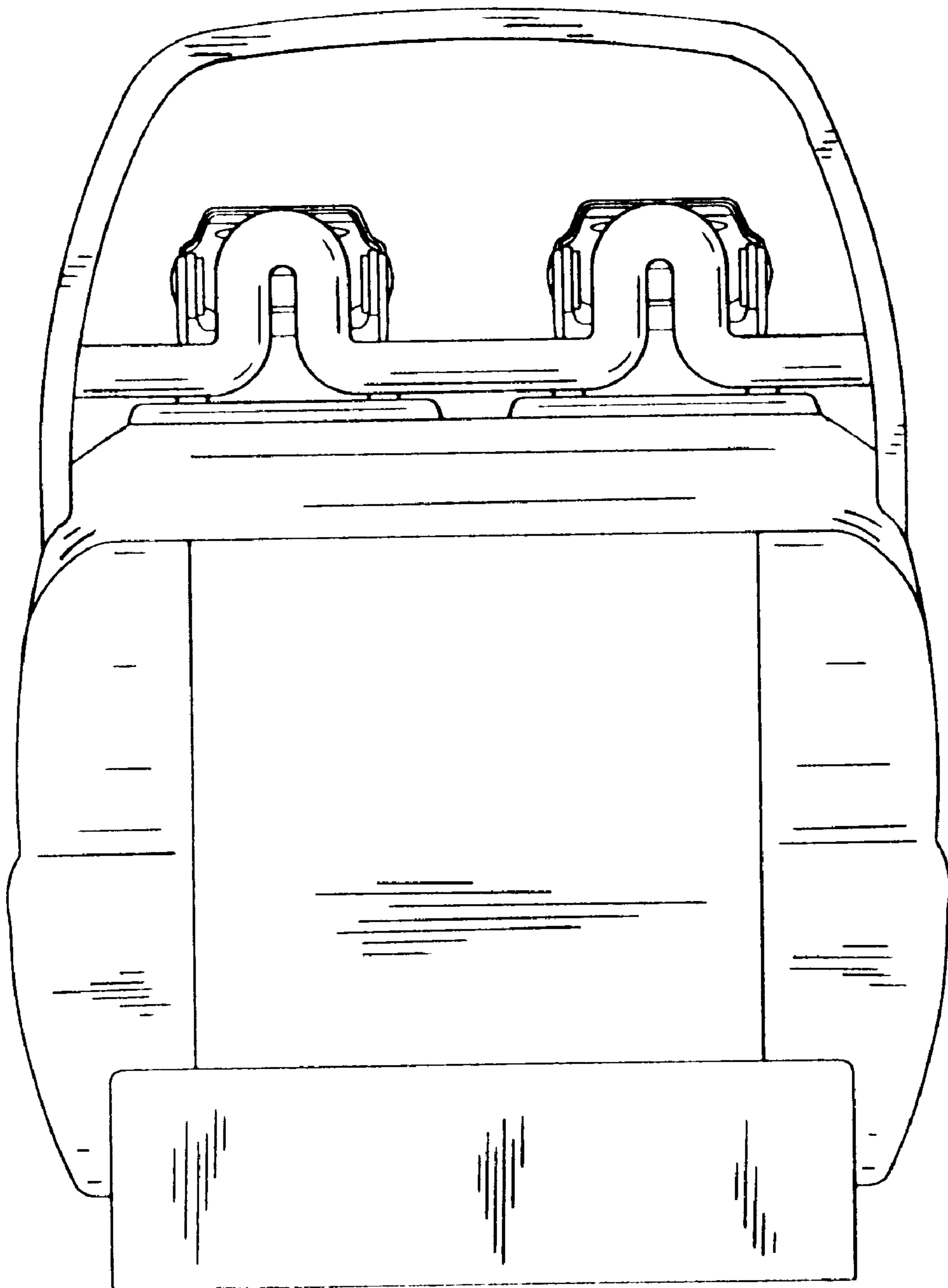


FIG. 15

